



US00D885052S

(12) **United States Design Patent**
Cadmus

(10) **Patent No.:** **US D885,052 S**

(45) **Date of Patent:** **** May 26, 2020**

(54) **VAPORIZER ACCESSORY ORGANIZER**

(74) *Attorney, Agent, or Firm* — Clinton H. Wilkinson

(71) Applicant: **Jessica Cadmus**, Bethlehem, PA (US)

(57) **CLAIM**

(72) Inventor: **Jessica Cadmus**, Bethlehem, PA (US)

The ornamental design for a “vaporizer accessory organizer”, as shown and described.

(**) Term: **15 Years**

(21) Appl. No.: **29/649,595**

DESCRIPTION

(22) Filed: **May 31, 2018**

FIG. 1 is a top front perspective view of a vaporizer accessory organizer embodying the present design.

(51) **LOC (12) Cl.** **03-01**

FIG. 2 is similar to FIG. 1 with the accessories removed.

(52) **U.S. Cl.**

FIG. 3 is similar to FIG. 2 with the detachable storage pouch also removed.

USPC **D3/299**

FIG. 4 is a rear perspective view thereof.

(58) **Field of Classification Search**

USPC D3/204, 218, 226, 230, 232, 243, 245,

FIG. 5 is a top perspective view of the detachable storage pouch.

D3/246, 247, 249, 272, 273, 275, 276,

FIG. 6 is a bottom perspective view thereof.

D3/283–285, 289, 290, 294–296, 299,

FIG. 7 is a front elevation view of the vaporizer accessory organizer with the detachable storage pouch removed.

D3/303, 315, 903

FIG. 8 is rear elevation view thereof.

CPC A45C 11/34

See application file for complete search history.

FIG. 9 is a front elevation view thereof with the full length of the tie strap shown; and,

(56) **References Cited**

U.S. PATENT DOCUMENTS

FIG. 10 is a perspective view thereof in a rolled-up position with the tie strap secured.

1,603,691 A * 10/1926 Hauser A45C 11/008
206/581

The dashed lines shown in the drawings depict stitching and forms part of the claimed design. The cutaway symbols illustrated in dot-dash break lines in FIGS. 1-4 and 7-10 indicate a symbolic break in the length of the strap indicating an indeterminate length. The appearance of any portion of the article between the break lines forms no part of the claimed design.

D323,065 S * 1/1992 Stricklin D19/83

All other dot-dash broken lines shown in the drawings depict portions of the vaporizer accessory organizer and environment that form no part of the claimed design.

D476,811 S * 7/2003 Brookhouse D3/206

D587,012 S * 2/2009 Webb D3/299

D699,030 S * 2/2014 Etzler D3/206

D808,166 S * 1/2018 Thompson D3/299

D834,820 S * 12/2018 Pedrin D3/299

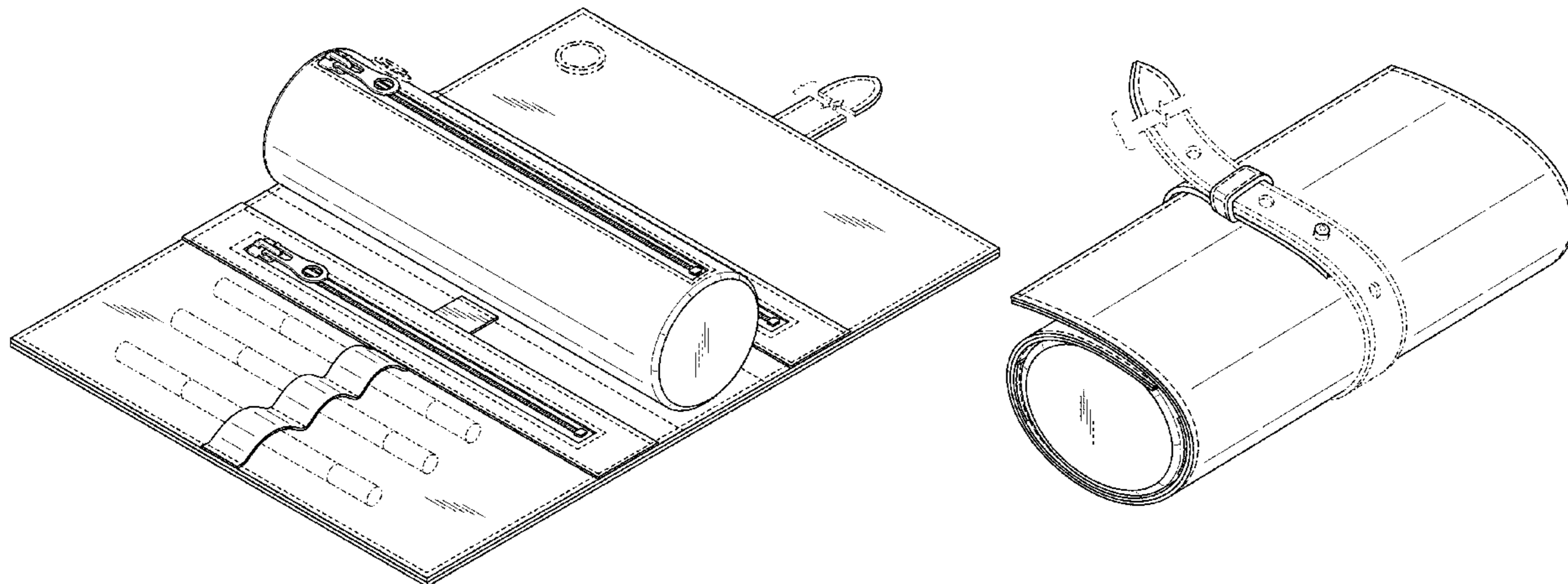
D848,143 S * 5/2019 Touchstone D3/215

D853,117 S * 7/2019 McBride D3/299

* cited by examiner

Primary Examiner — Holly E Thurman

1 Claim, 9 Drawing Sheets



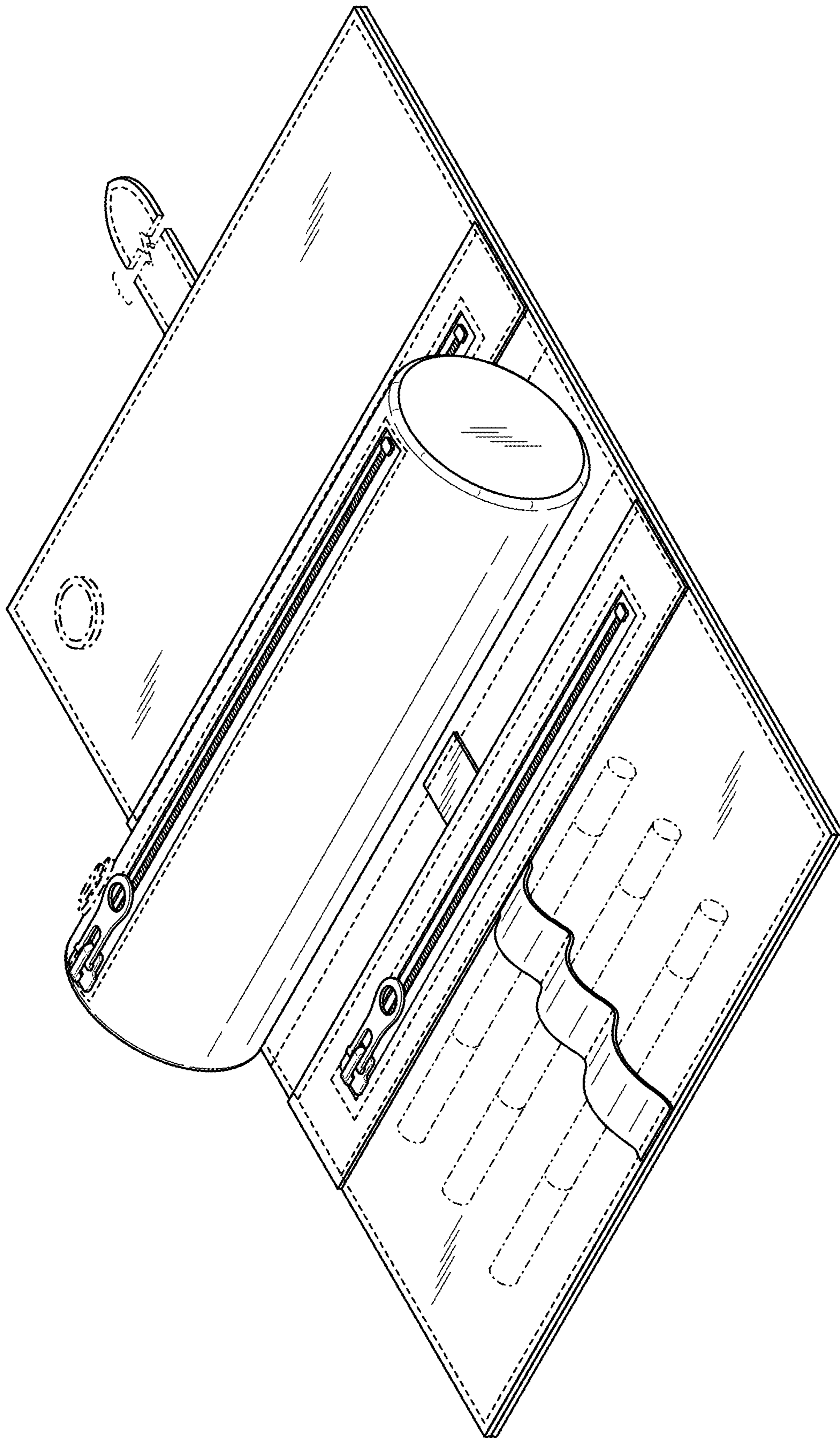


FIG. 1

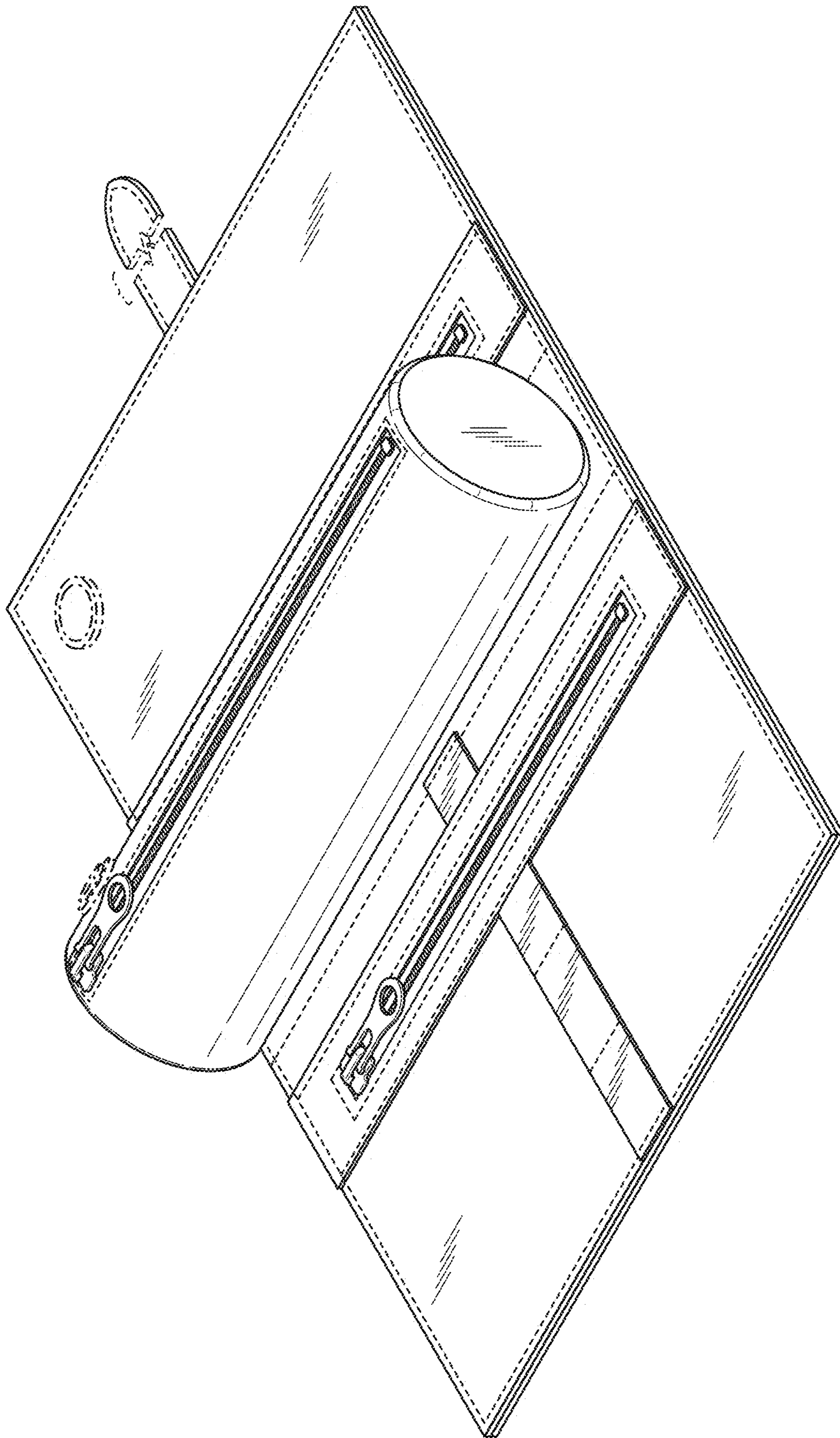


FIG. 2

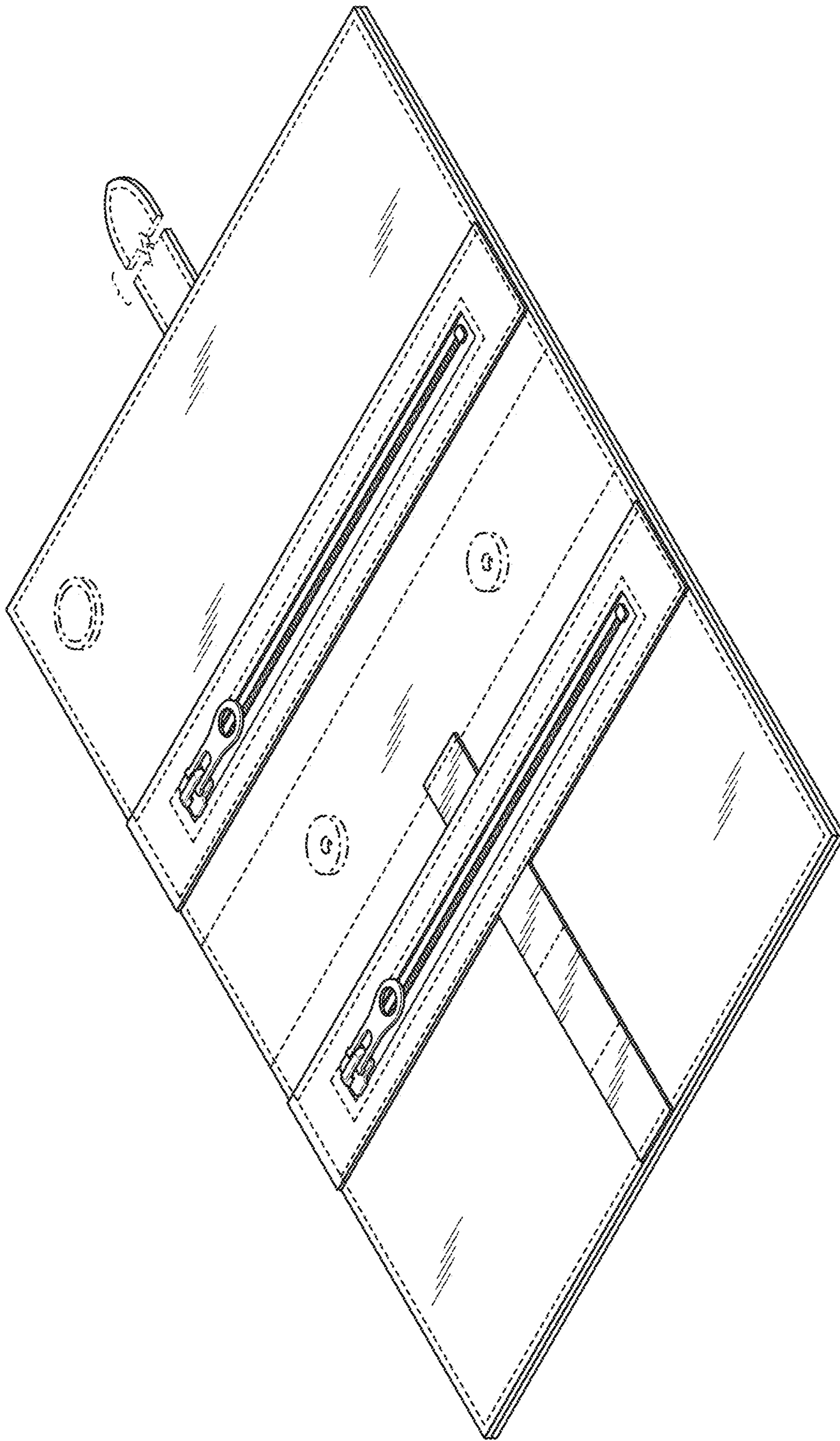


FIG. 3

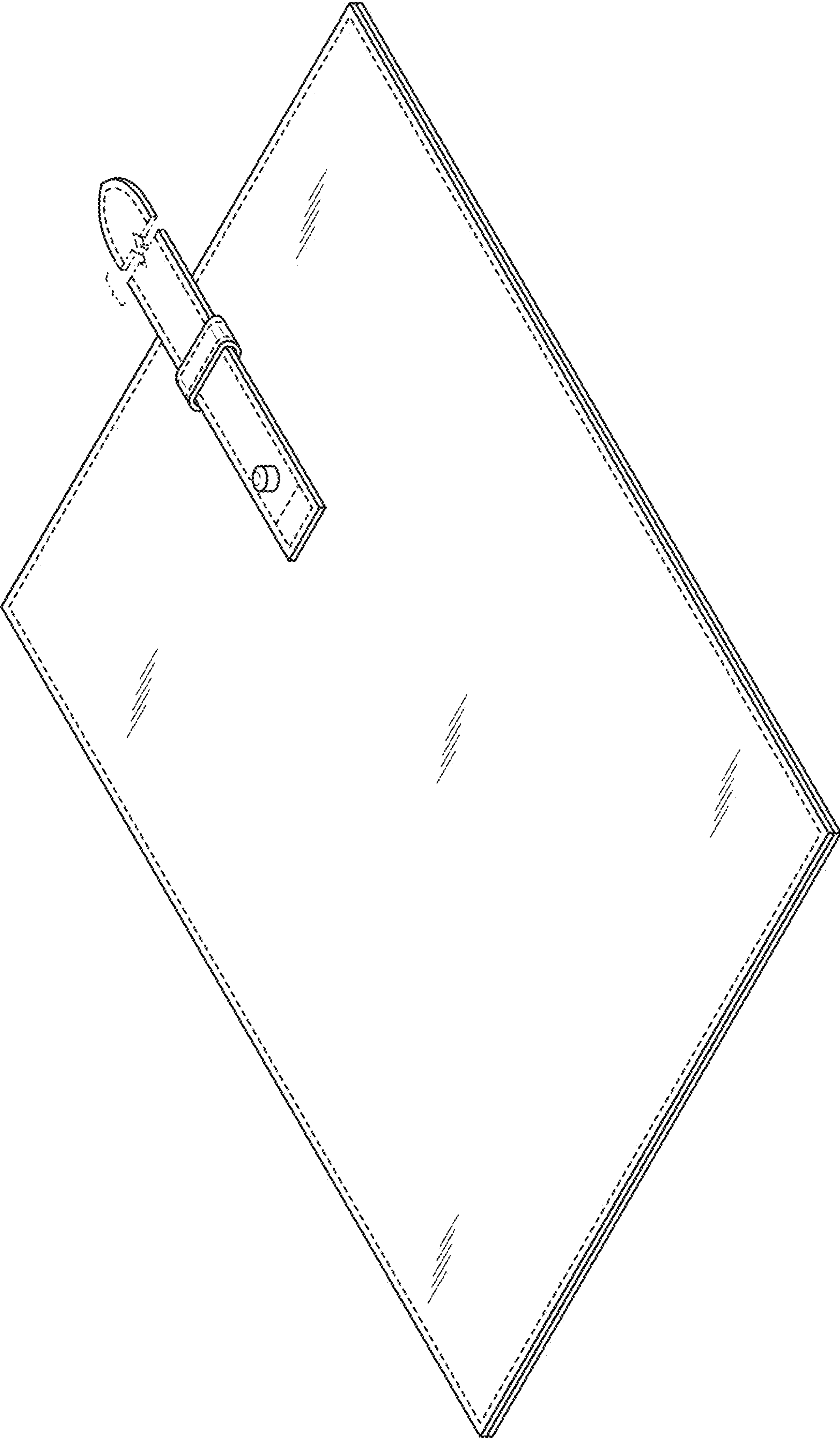


FIG. 4

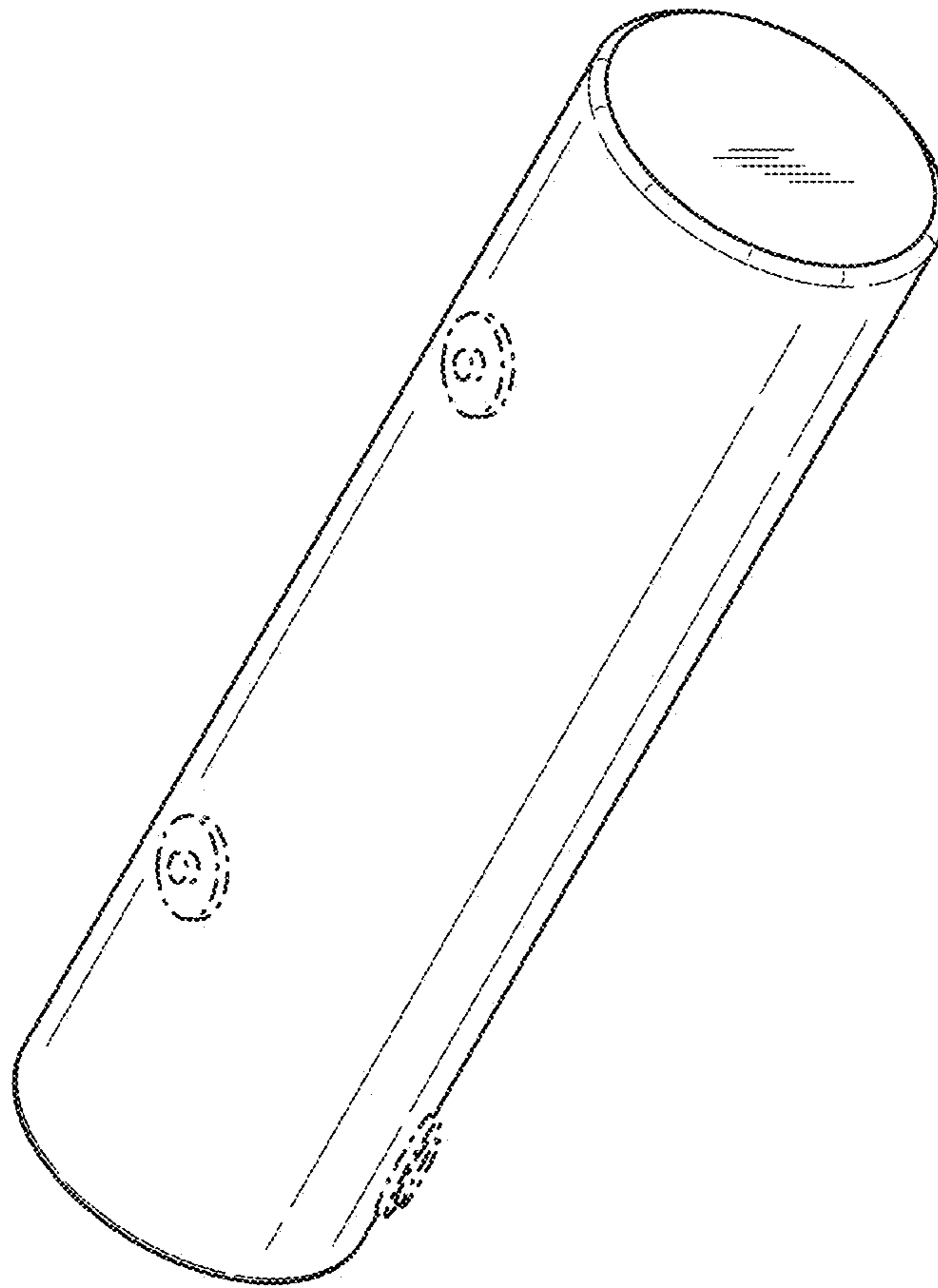


FIG. 6

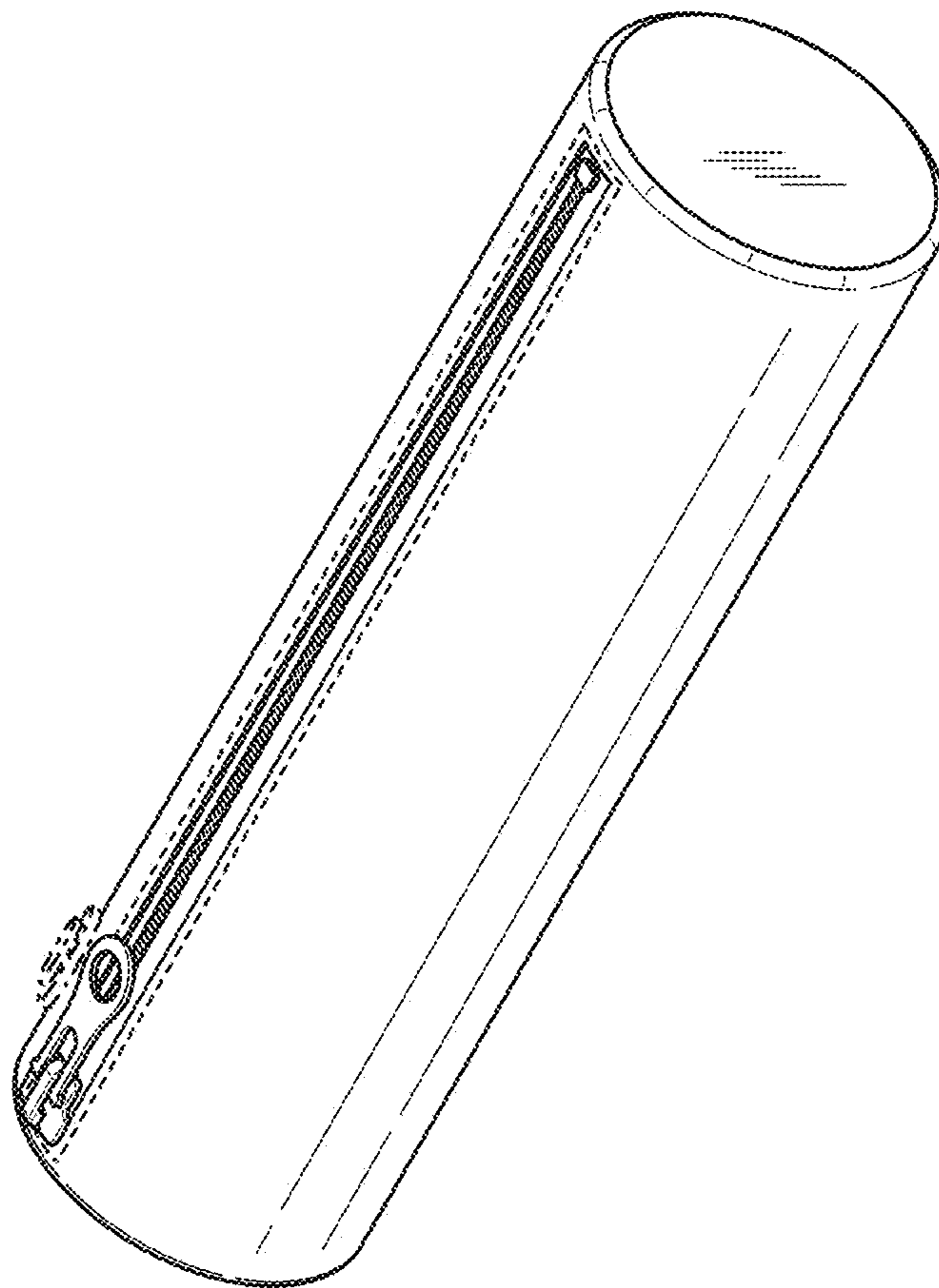


FIG. 5

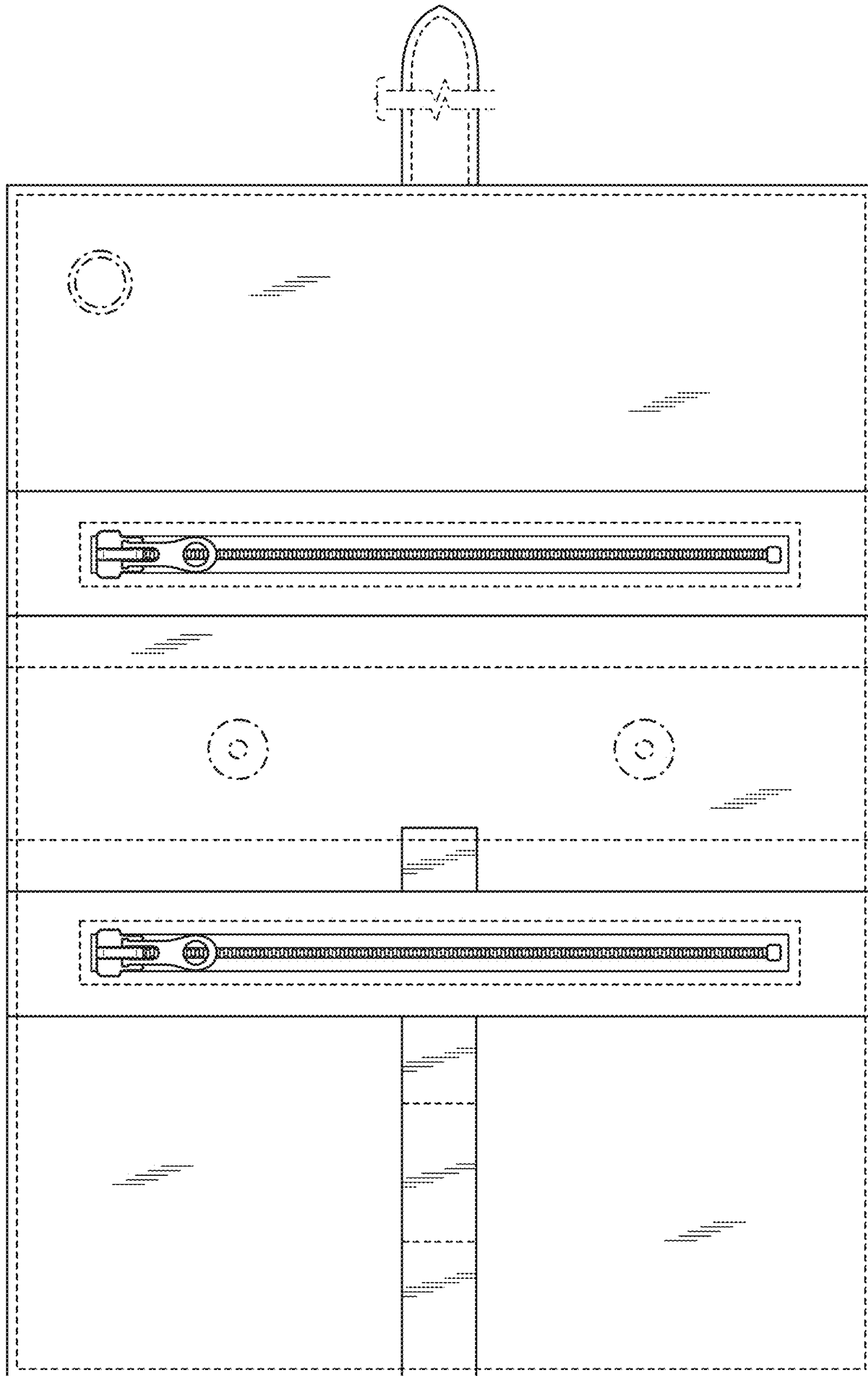


FIG. 7

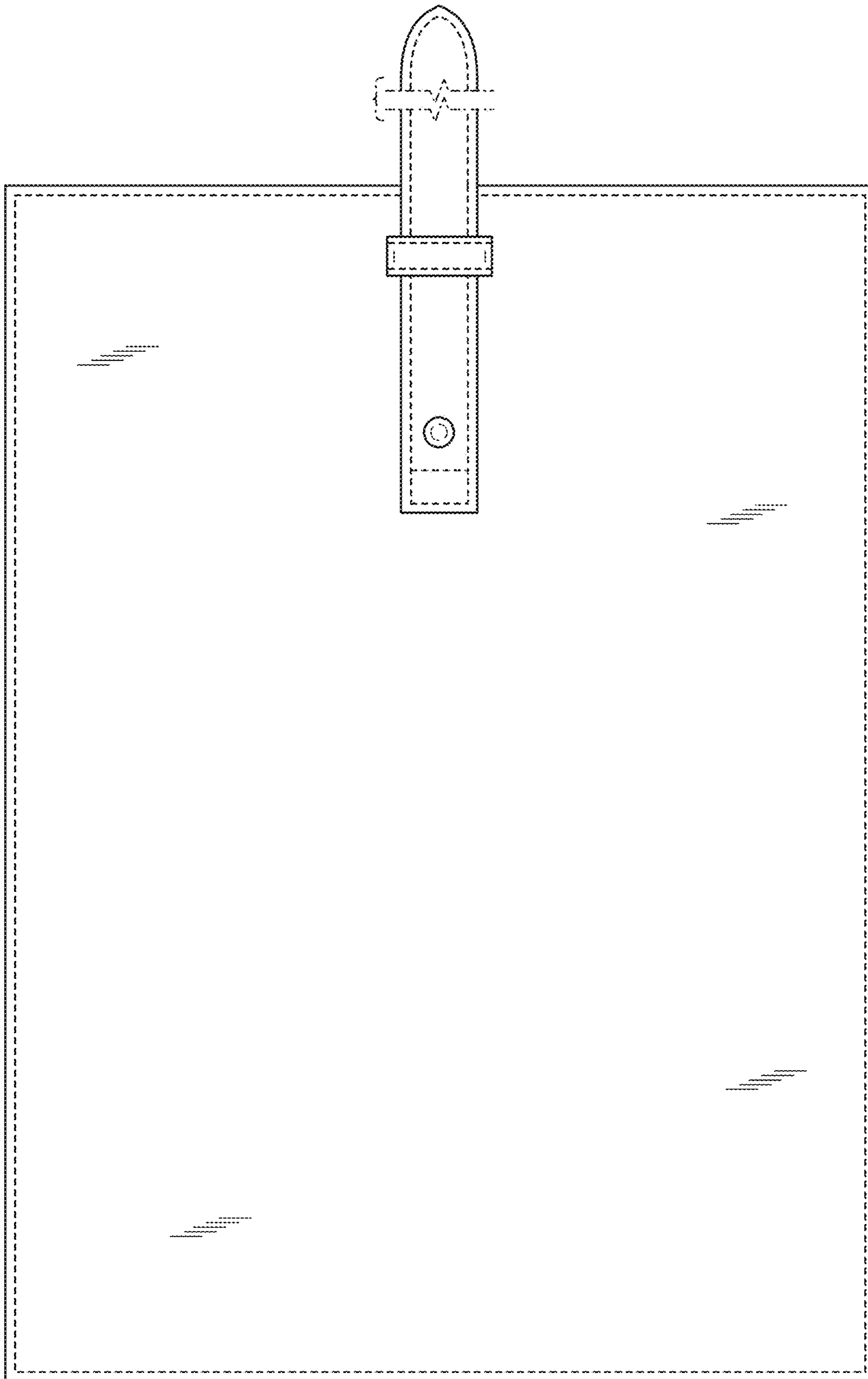


FIG. 8

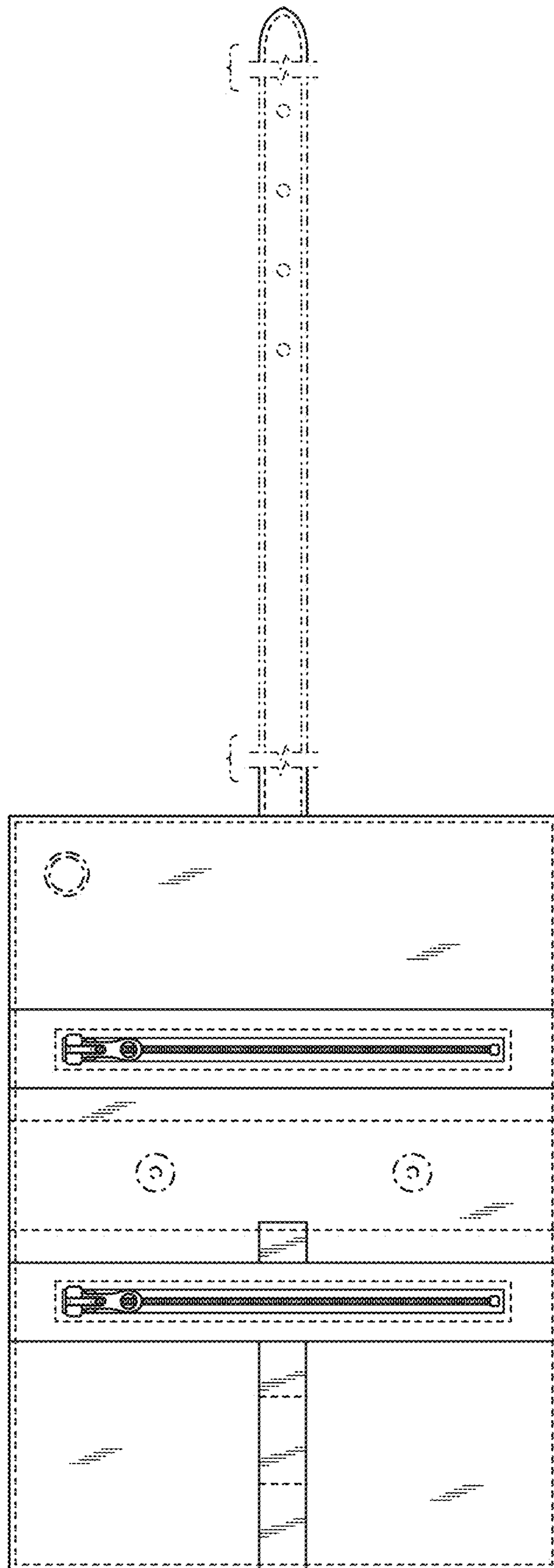


FIG. 9

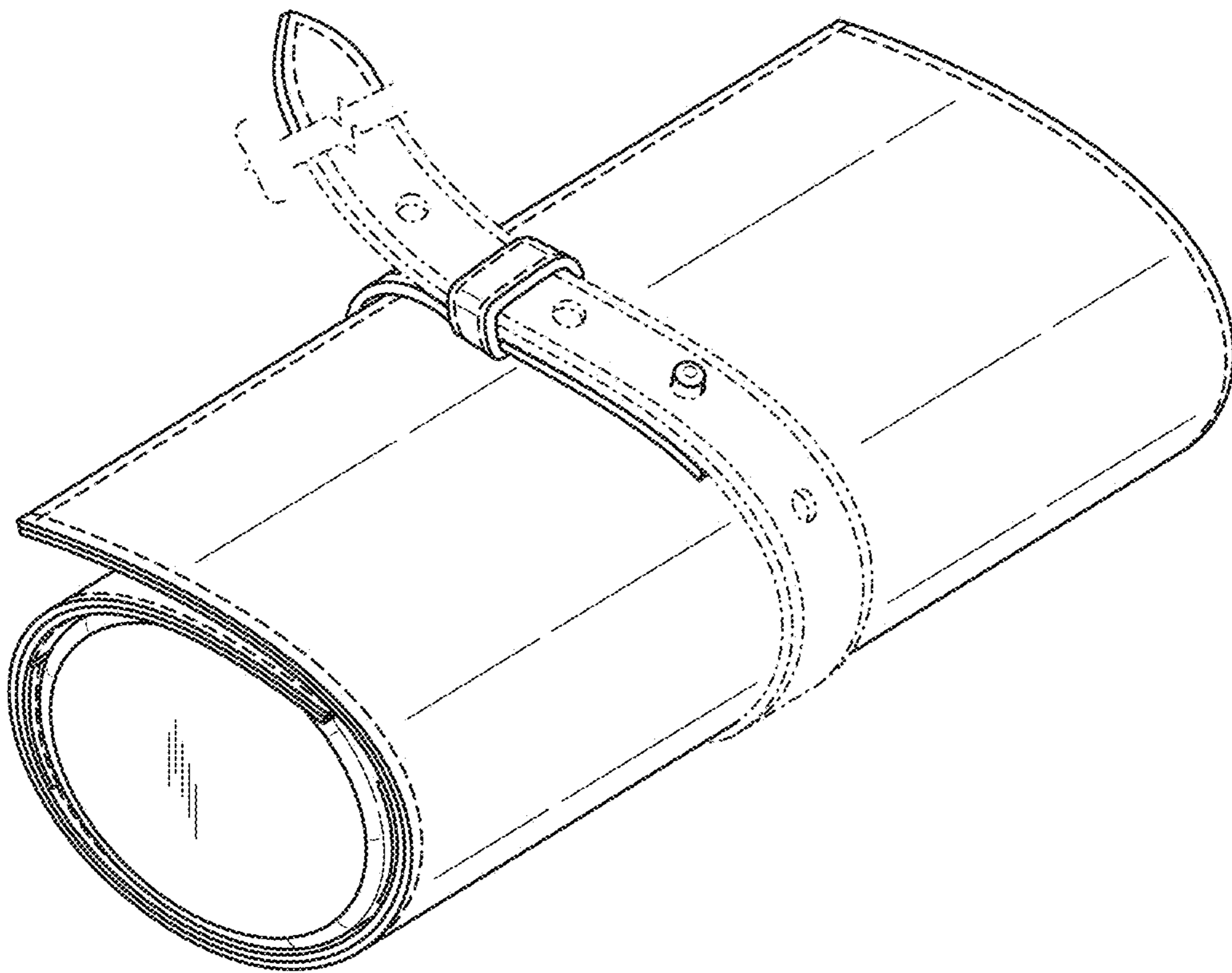


FIG. 10