



US00D885051S

(12) **United States Design Patent**  
**Kelleher**

(10) **Patent No.:** **US D885,051 S**

(45) **Date of Patent:** **\*\* \*May 26, 2020**

(54) **STADIUM BAG**

(71) Applicant: **Kevin Kelleher**, Mt. Pleasant, SC (US)

(72) Inventor: **Kevin Kelleher**, Mt. Pleasant, SC (US)

(\*) Notice: This patent is subject to a terminal disclaimer.

(\*\*) Term: **15 Years**

(21) Appl. No.: **29/591,084**

(22) Filed: **Jan. 17, 2017**

(51) **LOC (12) Cl.** ..... **03-01**

(52) **U.S. Cl.**  
USPC ..... **D3/287; D3/289**

(58) **Field of Classification Search**

USPC ..... D3/273, 274, 276, 277, 285, 289, 301,  
D3/901, 905, 902, 205, 280, 203.1, 203.6,  
D3/226, 227, 232, 246, 247, 249, 251,  
D3/254, 287, 290; D12/416  
CPC ..... B25H 3/00; B25H 3/006; B25H 3/021;  
B25H 3/02; A45C 7/0077; A45C 7/00;  
A45C 11/00; A45C 11/26; A47G 25/54;  
B60R 7/043

See application file for complete search history.

(56) **References Cited**

**U.S. PATENT DOCUMENTS**

D244,723 S \* 6/1977 Rabinowitz ..... D3/289  
D273,941 S \* 5/1984 Farber ..... D3/243  
D318,948 S \* 8/1991 Nordstrom ..... D3/268  
D344,180 S \* 2/1994 Garcia ..... D12/416  
D412,311 S \* 7/1999 Silvershein ..... D12/416  
D478,420 S \* 8/2003 Li ..... D3/287  
D506,434 S \* 6/2005 Ling ..... D12/416  
D632,242 S \* 2/2011 Currie ..... D12/416

(Continued)

**OTHER PUBLICATIONS**

Amazon, "Clear Stadium Bag Clear Tote Bag NFL Stadium Approved . . .", First review Nov. 1, 2013. (<https://www.amazon.com/dp/B00DNNWNZG/>) (Year: 2013).\*

(Continued)

*Primary Examiner* — April Rivas

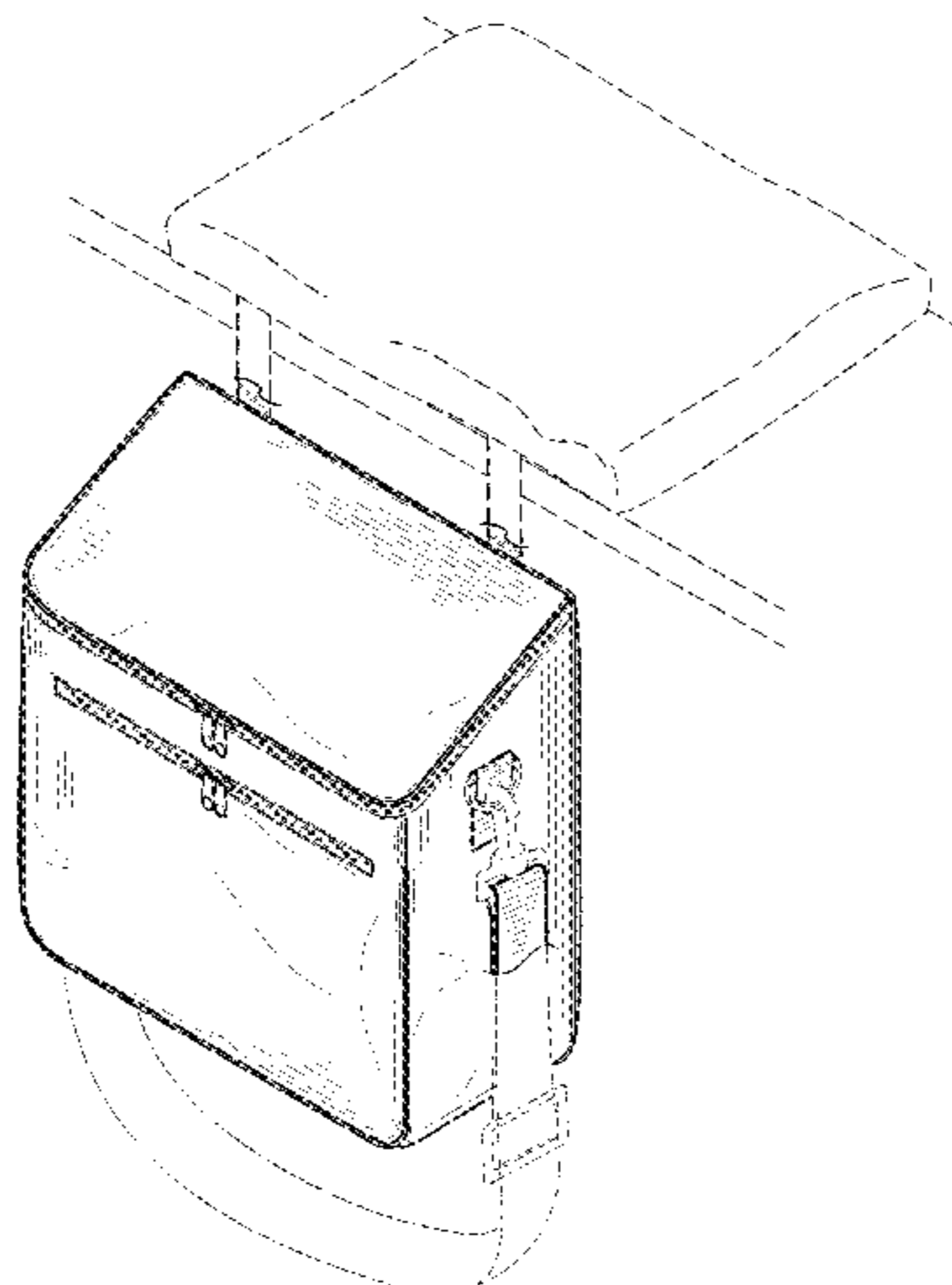
(57) **CLAIM**

The ornamental design for a stadium bag, as shown.

**DESCRIPTION**

FIG. 1 is a right front perspective view of the stadium bag according to a first embodiment of the invention; FIG. 2 is a left front perspective view of the stadium bag according to the first embodiment of the invention; FIG. 3 is a front elevation view of the stadium bag according to the first embodiment of the invention; FIG. 4 is a rear elevation view of the stadium bag according to the first embodiment of the invention; FIG. 5 is a left side elevation view of the stadium bag according to the first embodiment of the invention; FIG. 6 is a right side elevation view of the stadium bag according to the first embodiment of the invention; FIG. 7 is a top plan view of the stadium bag according to the first embodiment of the invention; FIG. 8 is a bottom plan view of the stadium bag according to the first embodiment of the invention; and, FIG. 9 is a left front perspective view of the stadium bag according to a second embodiment of the invention. FIGS. 1-9 show the new design for the stadium bag in solid lines with broken lines showing environmental association matter for illustrative purposes only and forming no part of the claimed design. The broken lines in the drawings illustrating a bench and cushion represent environment. The remaining broken lines illustrate portions of the stadium bag. None of the broken lines form part of the claimed design. The stadium bag is shown with a symbolic break in the straps. The appearance of any portion of the article between the break lines forms no part of the claimed design.

**1 Claim, 7 Drawing Sheets**



(56)

**References Cited**

U.S. PATENT DOCUMENTS

D685,576 S \* 7/2013 Gould ..... D3/290  
D725,908 S \* 4/2015 Zwetzig ..... D3/283  
D784,908 S \* 4/2017 Kalchuri ..... D12/416  
D786,175 S \* 5/2017 Cressy ..... D12/416  
D801,910 S \* 11/2017 Salisbury ..... D12/416  
D830,686 S \* 10/2018 Rogers ..... D3/217  
2013/0193724 A1\* 8/2013 Gould ..... A47C 7/62  
297/188.2

OTHER PUBLICATIONS

Amazon, "Clear Lunch Bag by Amaro . . .", First review Dec. 3, 2016. (<https://www.amazon.com/dp/B01DAIXT4M/>) (Year: 2016).\*

\* cited by examiner

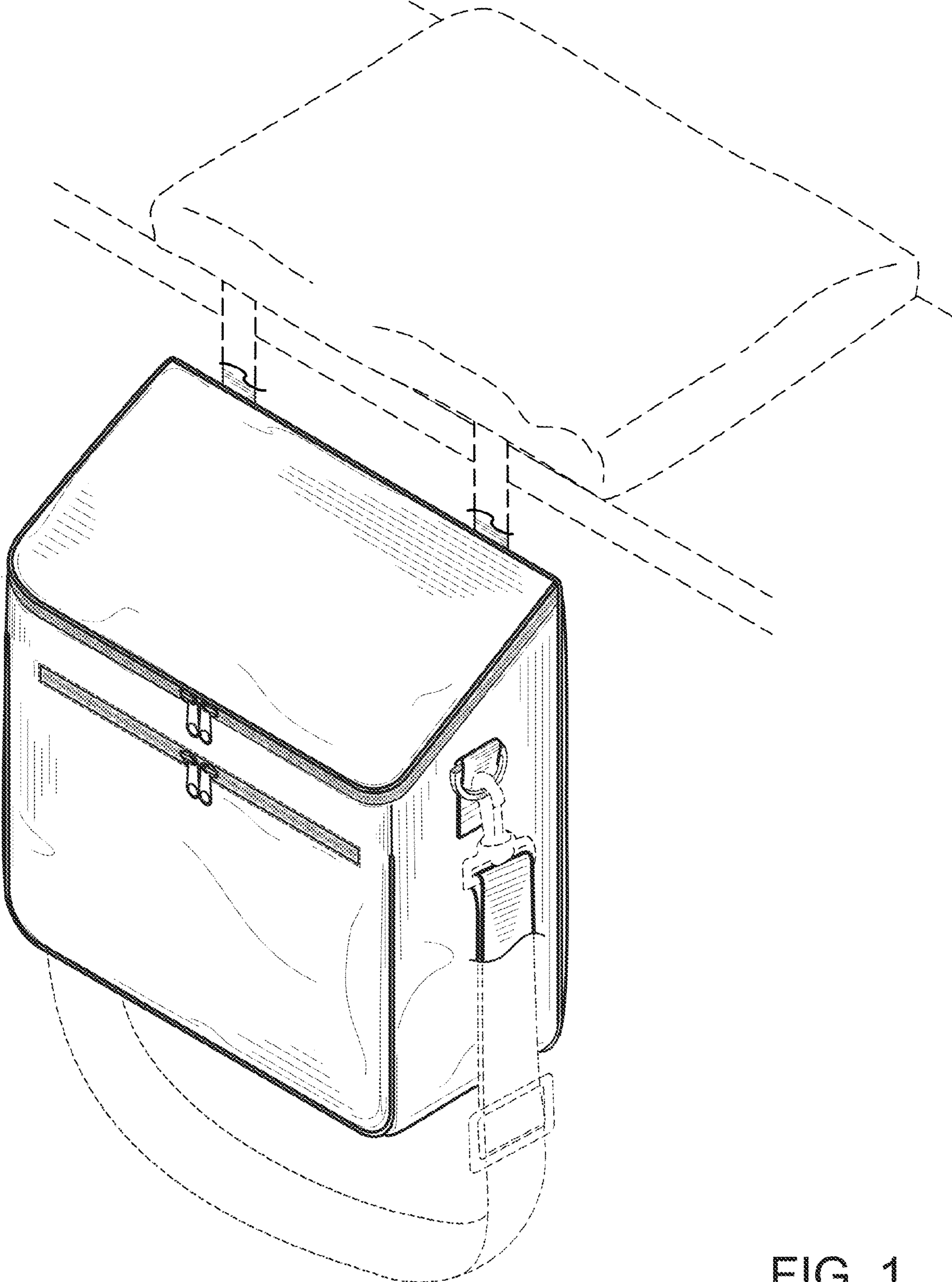


FIG. 1

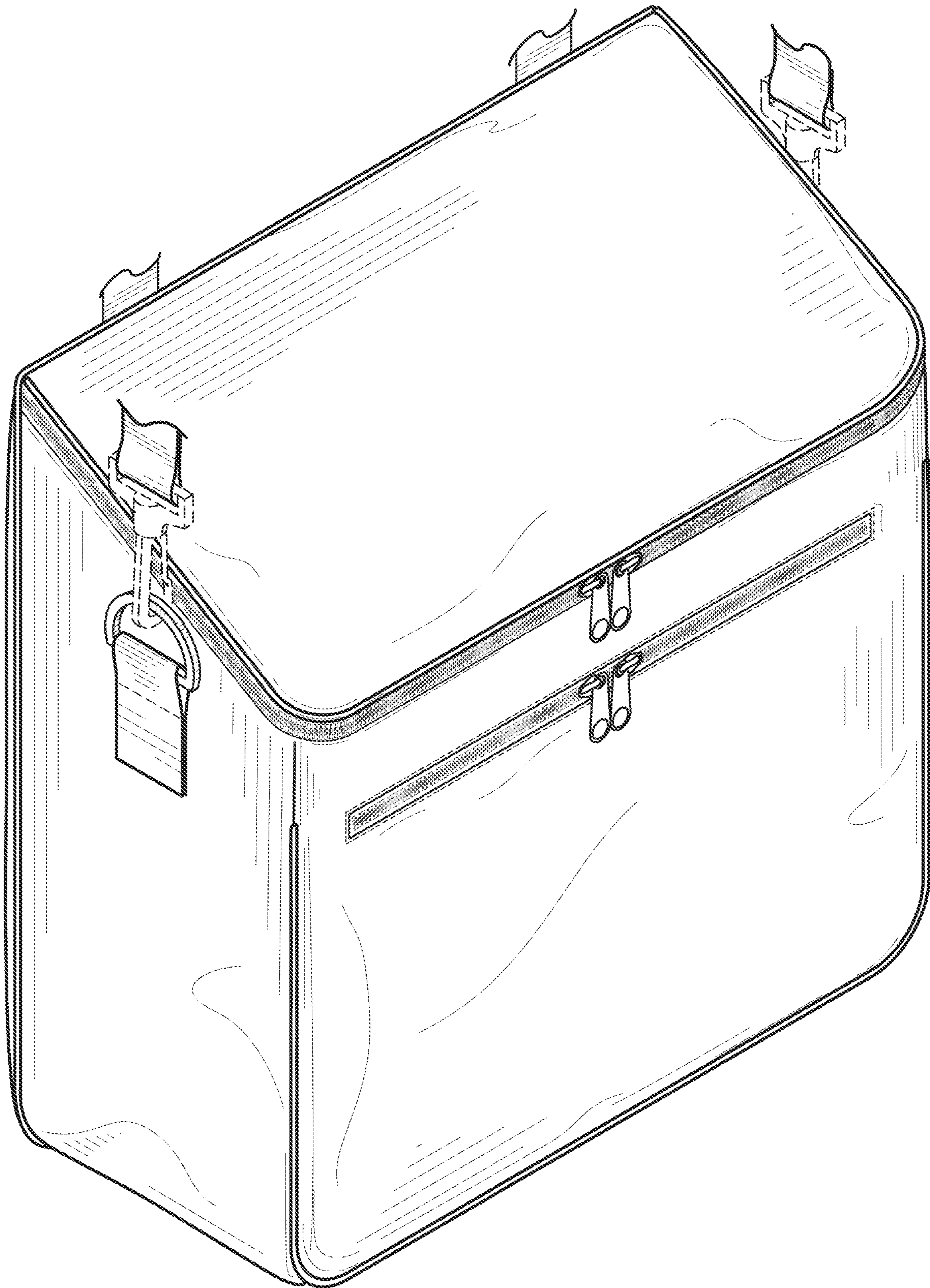


FIG. 2



FIG. 3

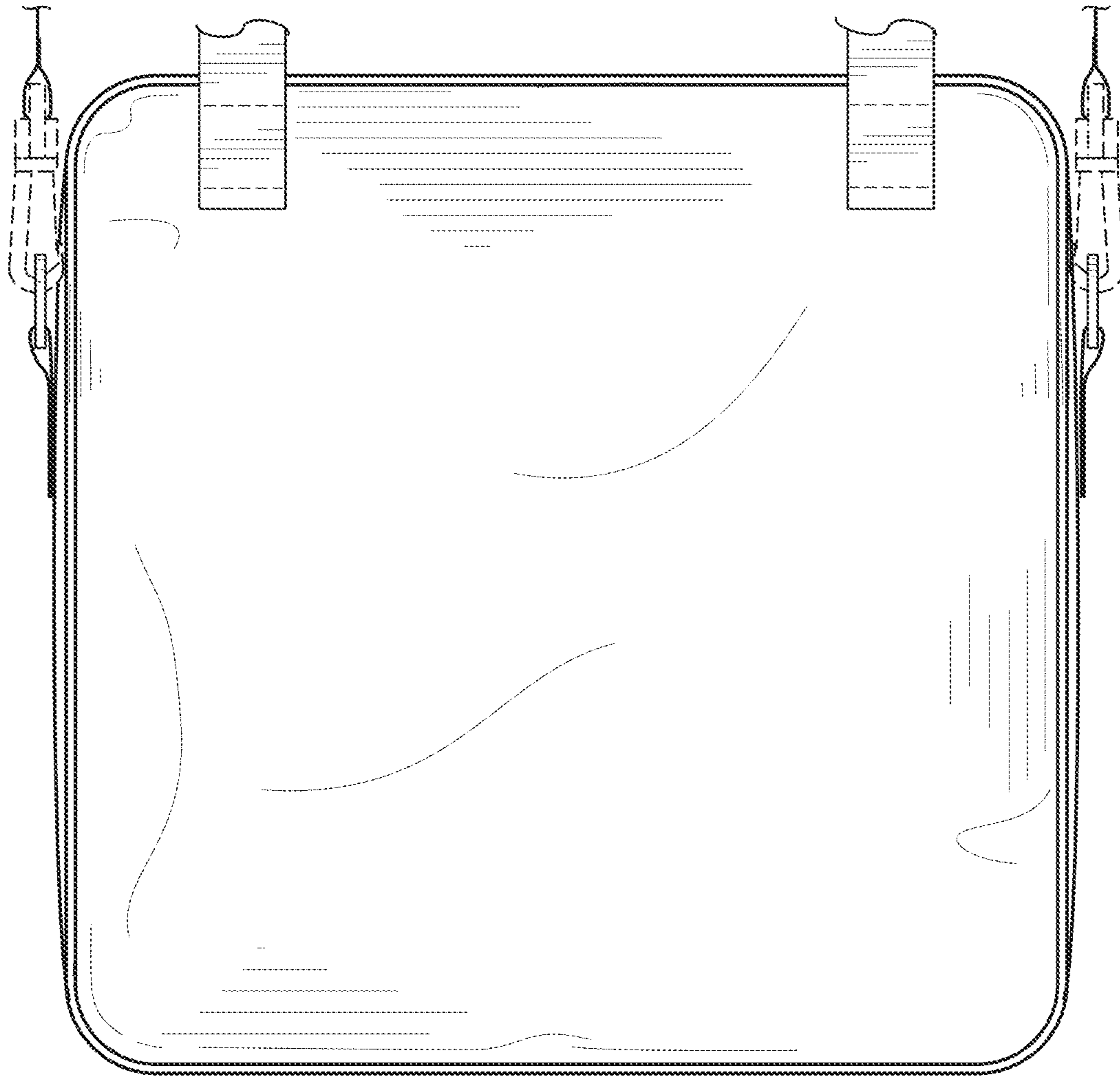


FIG. 4

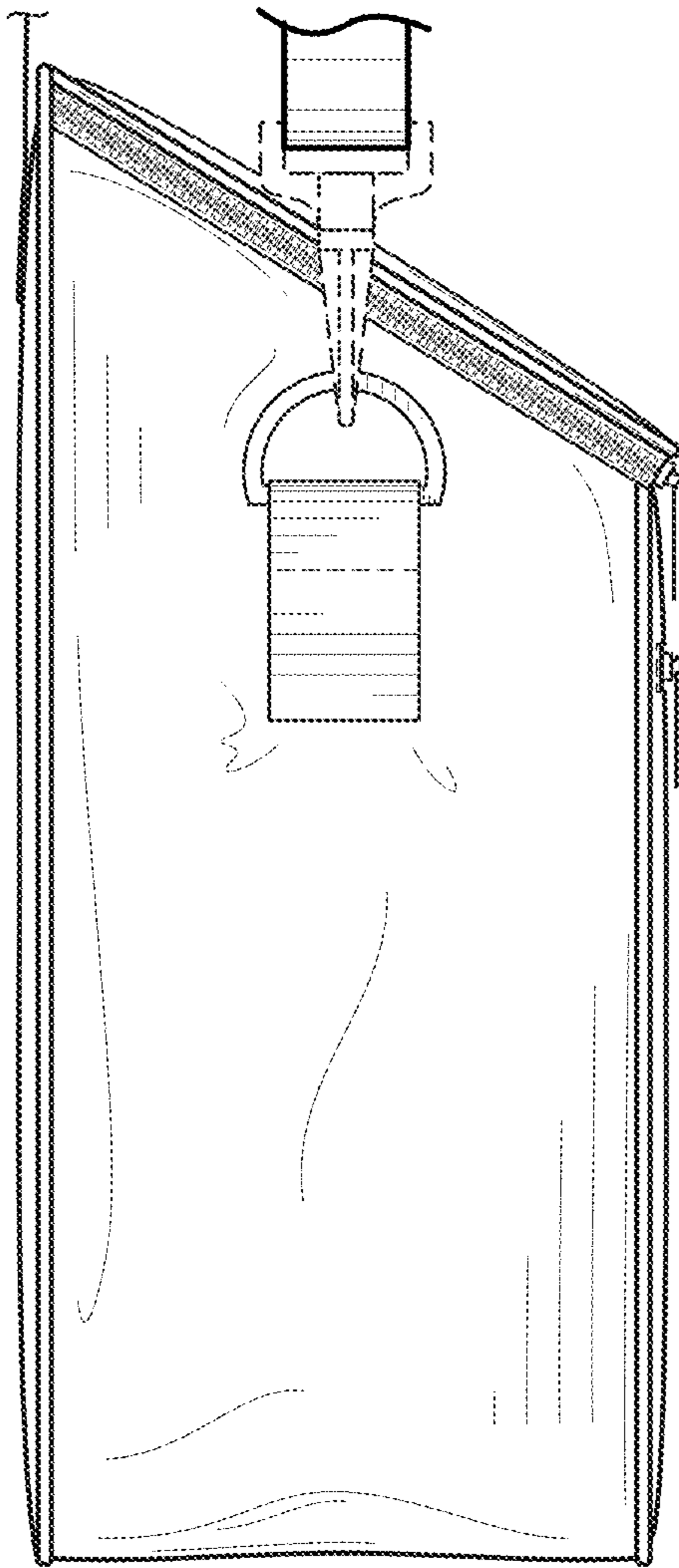


FIG. 5

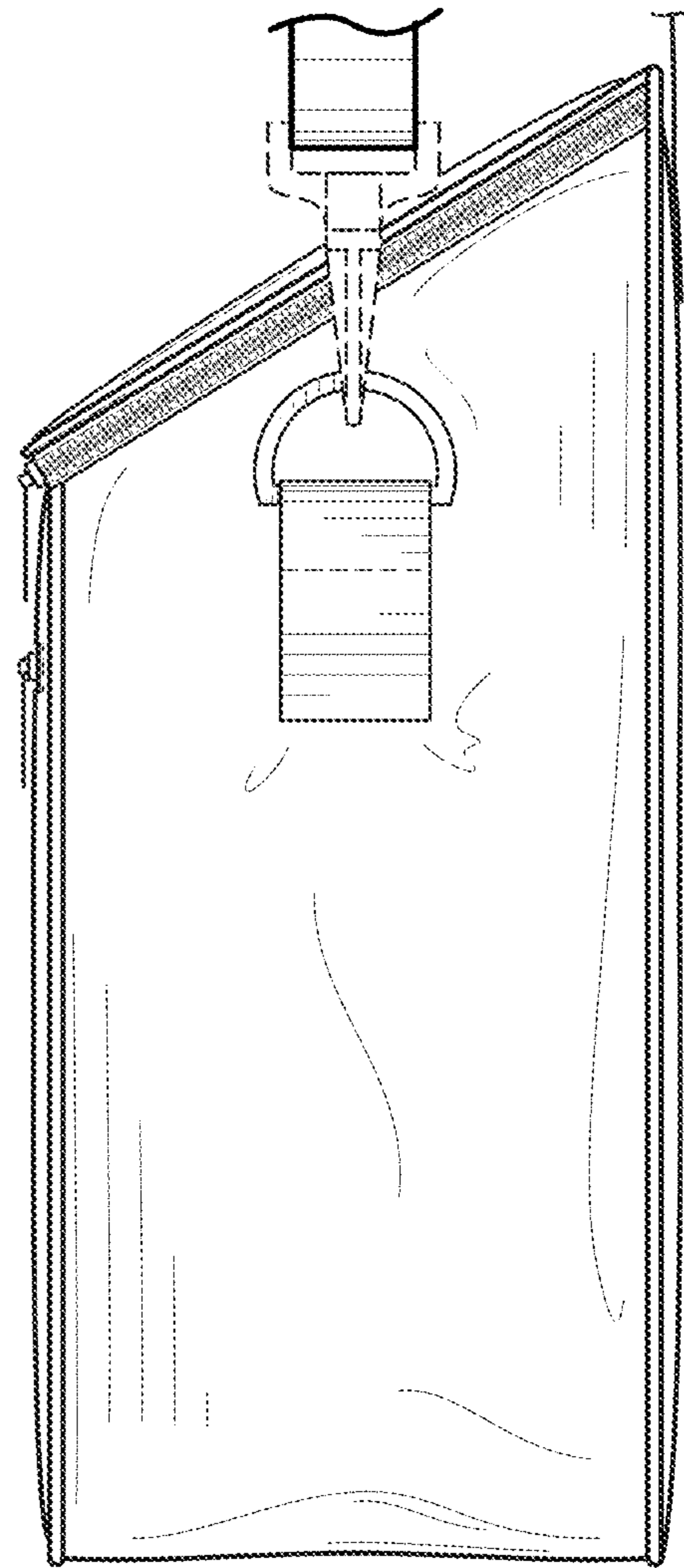


FIG. 6



FIG. 7

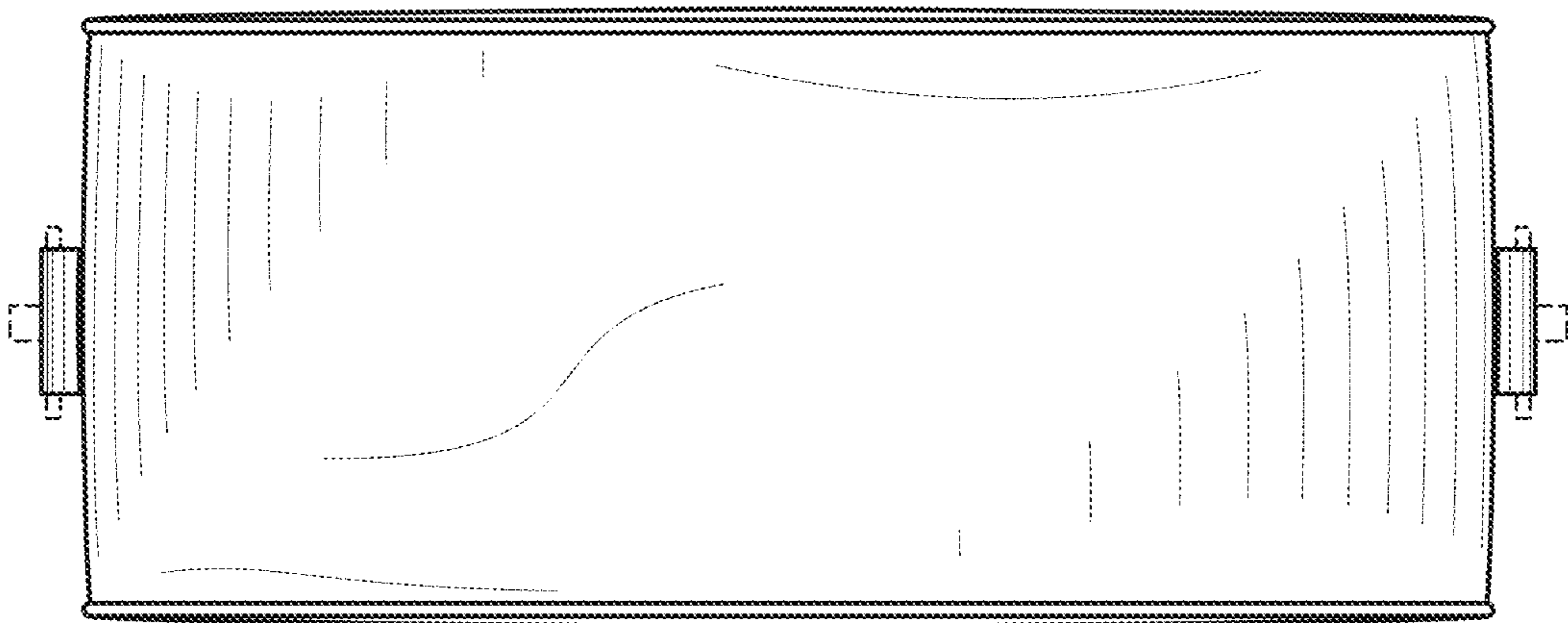


FIG. 8



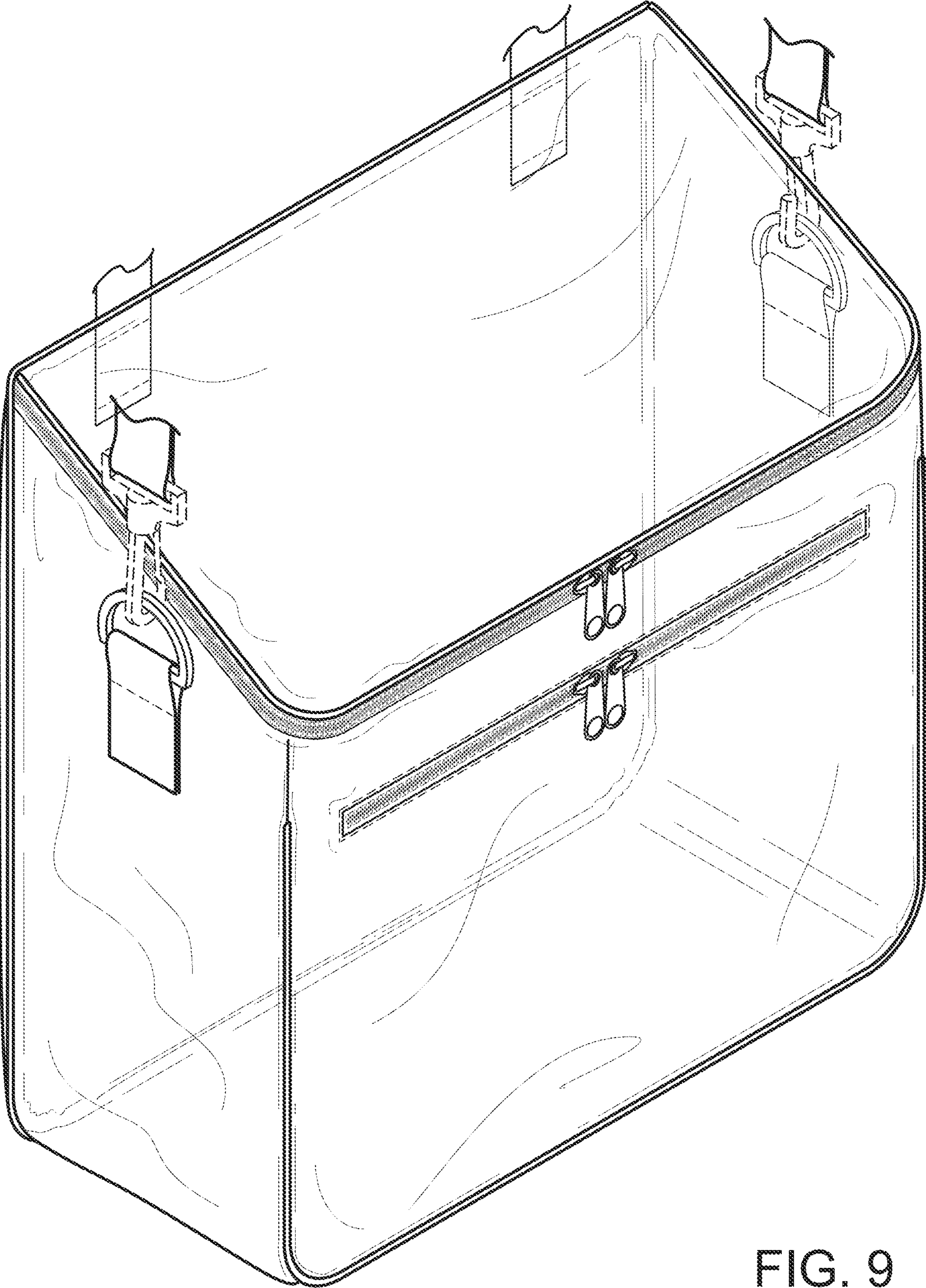


FIG. 9