



US00D885050S

(12) **United States Design Patent**
Steffes

(10) **Patent No.:** **US D885,050 S**

(45) **Date of Patent:** **** May 26, 2020**

(54) **WALLET**

(71) Applicant: **Robert D. Steffes**, Wauwatosa, WI
(US)

(72) Inventor: **Robert D. Steffes**, Wauwatosa, WI
(US)

(**) Term: **15 Years**

(21) Appl. No.: **29/663,802**

(22) Filed: **Sep. 19, 2018**

(51) **LOC (12) Cl.** **03-01**

(52) **U.S. Cl.**
USPC **D3/247**

(58) **Field of Classification Search**
USPC D3/247, 249–253
CPC A45C 1/06; A45C 3/08
See application file for complete search history.

(56) **References Cited**

U.S. PATENT DOCUMENTS

D728,230 S * 5/2015 Oas D3/247
D758,722 S * 6/2016 Bellofatto, Jr. D3/244

OTHER PUBLICATIONS

Youth Leather Baseball Seam Bi-Fold Wallet, <http://bsteffes.tictail.com/product/leather-baseball-seam-bi-fold-wallet>, Dec. 3, 2016.

* cited by examiner

Primary Examiner — Holly H Baynham

(74) *Attorney, Agent, or Firm* — Christopher M. Scherer;
DeWitt LLP

(57) **CLAIM**

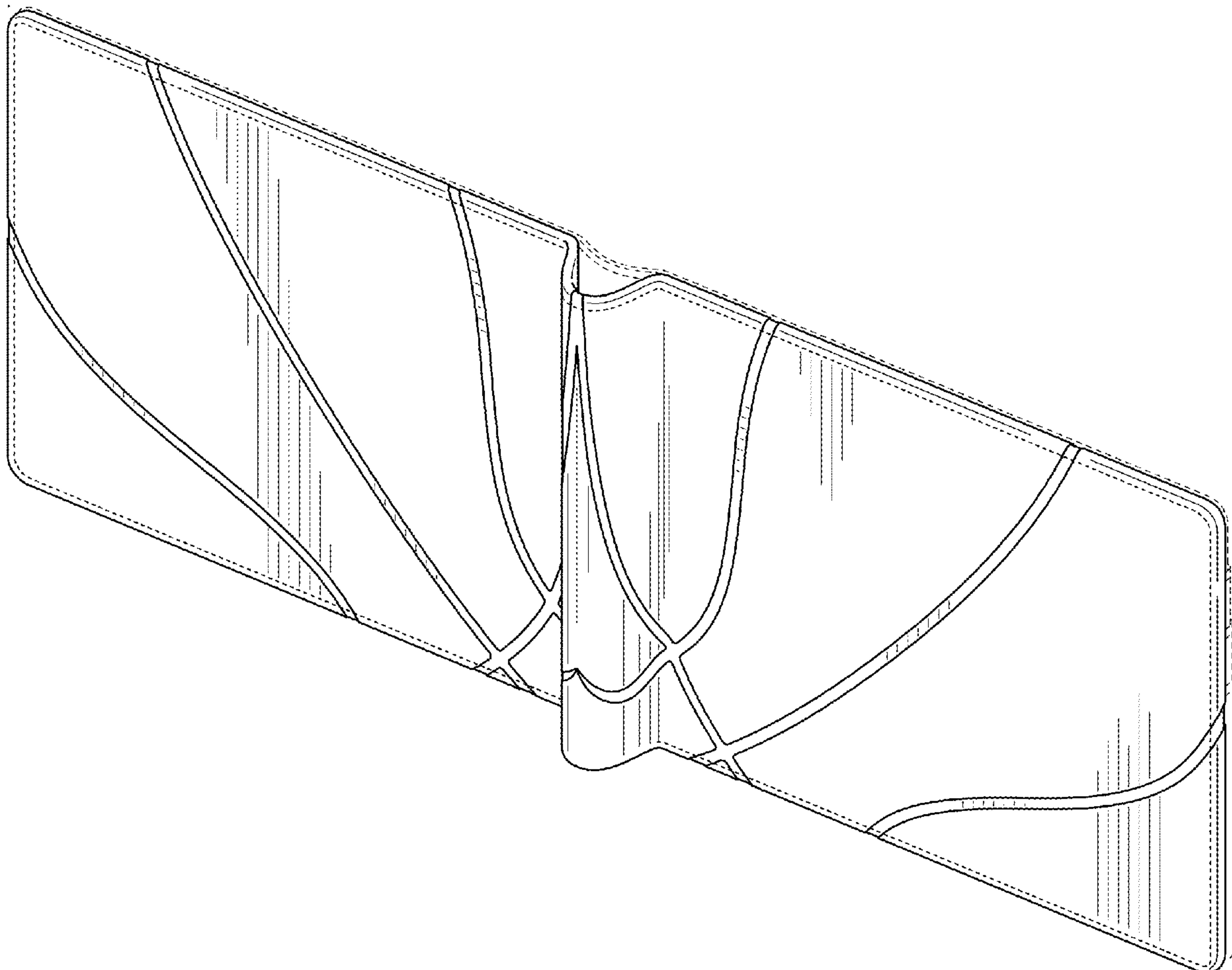
The ornamental design for a wallet, as shown and described.

DESCRIPTION

FIG. 1 is a perspective view of a wallet;
FIG. 2 is a front view thereof;
FIG. 3 is a back view thereof;
FIG. 4 is a right side view thereof;
FIG. 5 is a left side view thereof;
FIG. 6 is a top view thereof; and,
FIG. 7 is a bottom view thereof.

The broken lines in the drawings represent subject matter that forms no part of the claim.

1 Claim, 15 Drawing Sheets



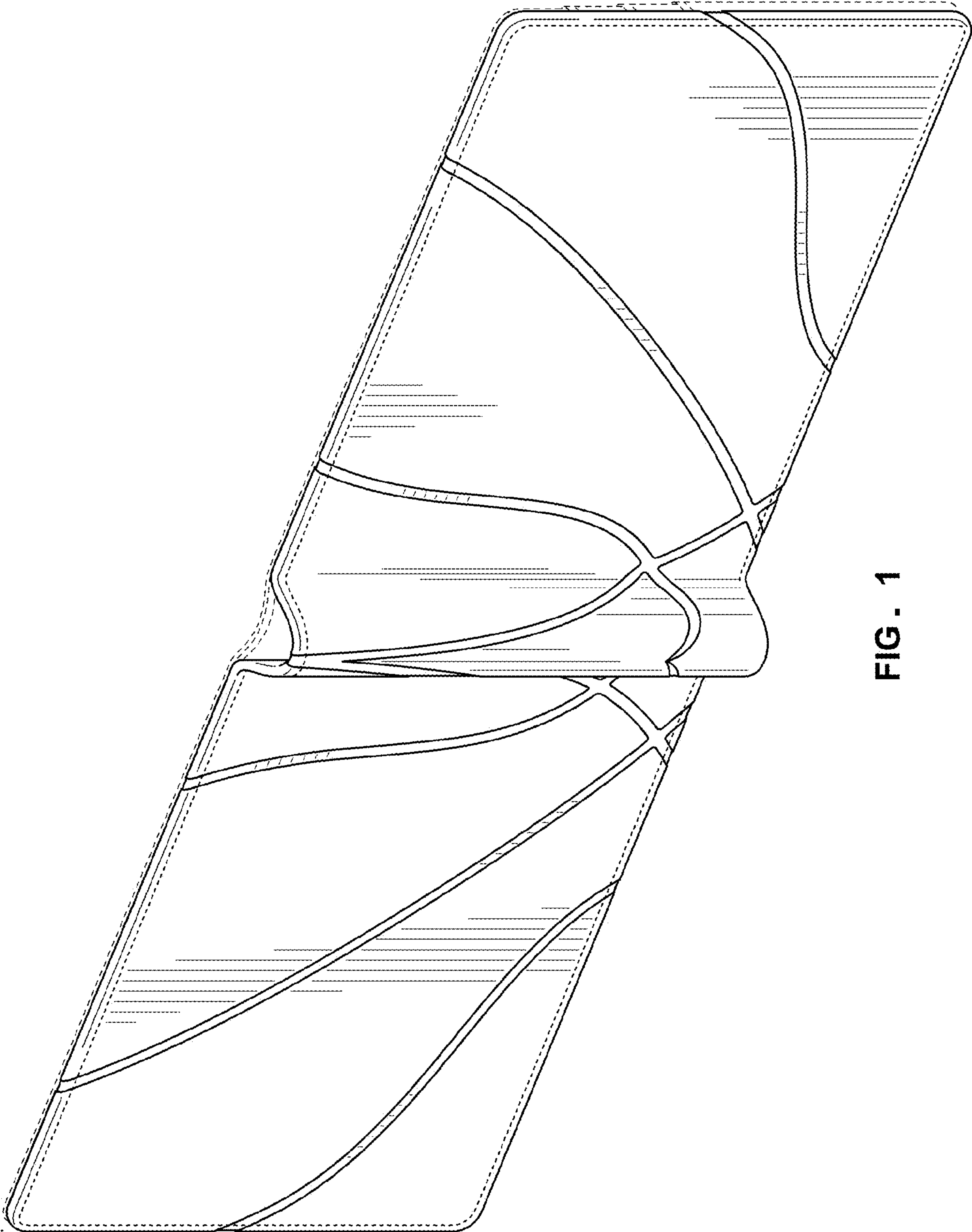


FIG. 1

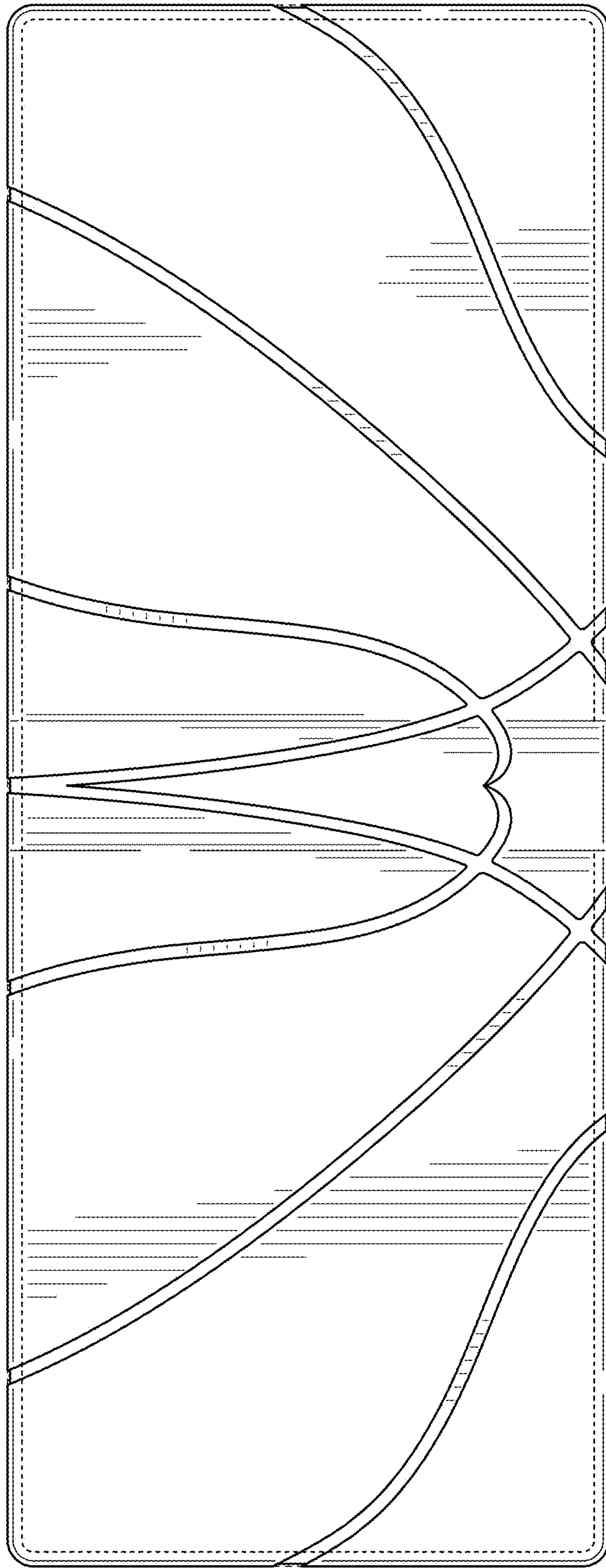


FIG . 2

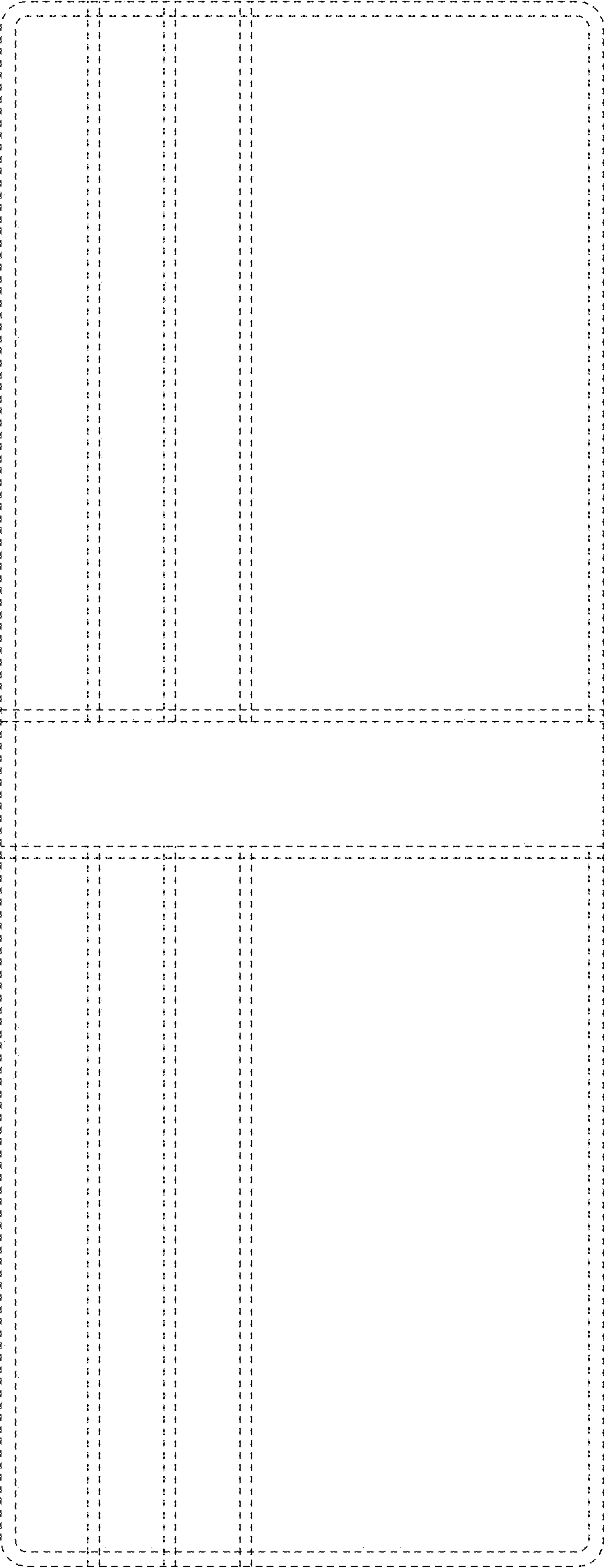


FIG. 3

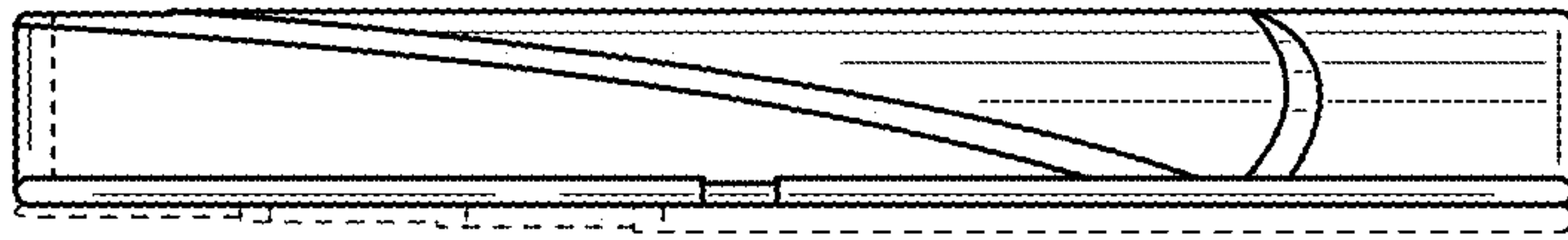


FIG. 5

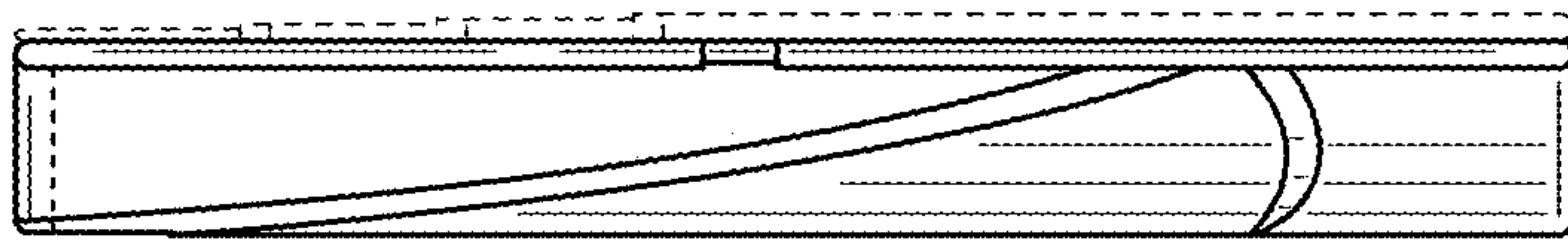


FIG. 4

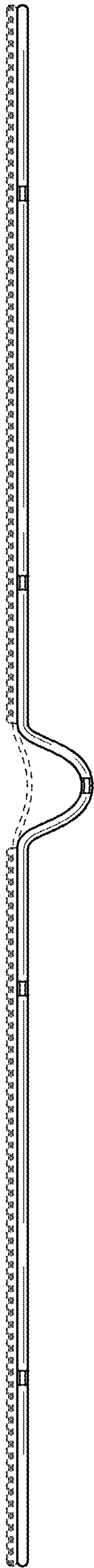


FIG. 6

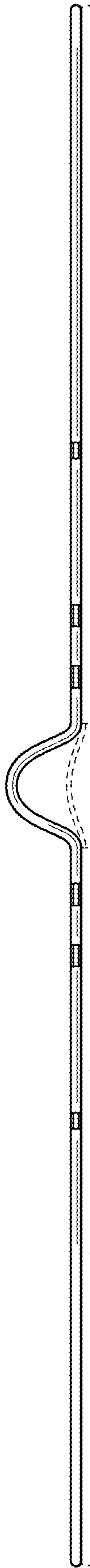


FIG. 7

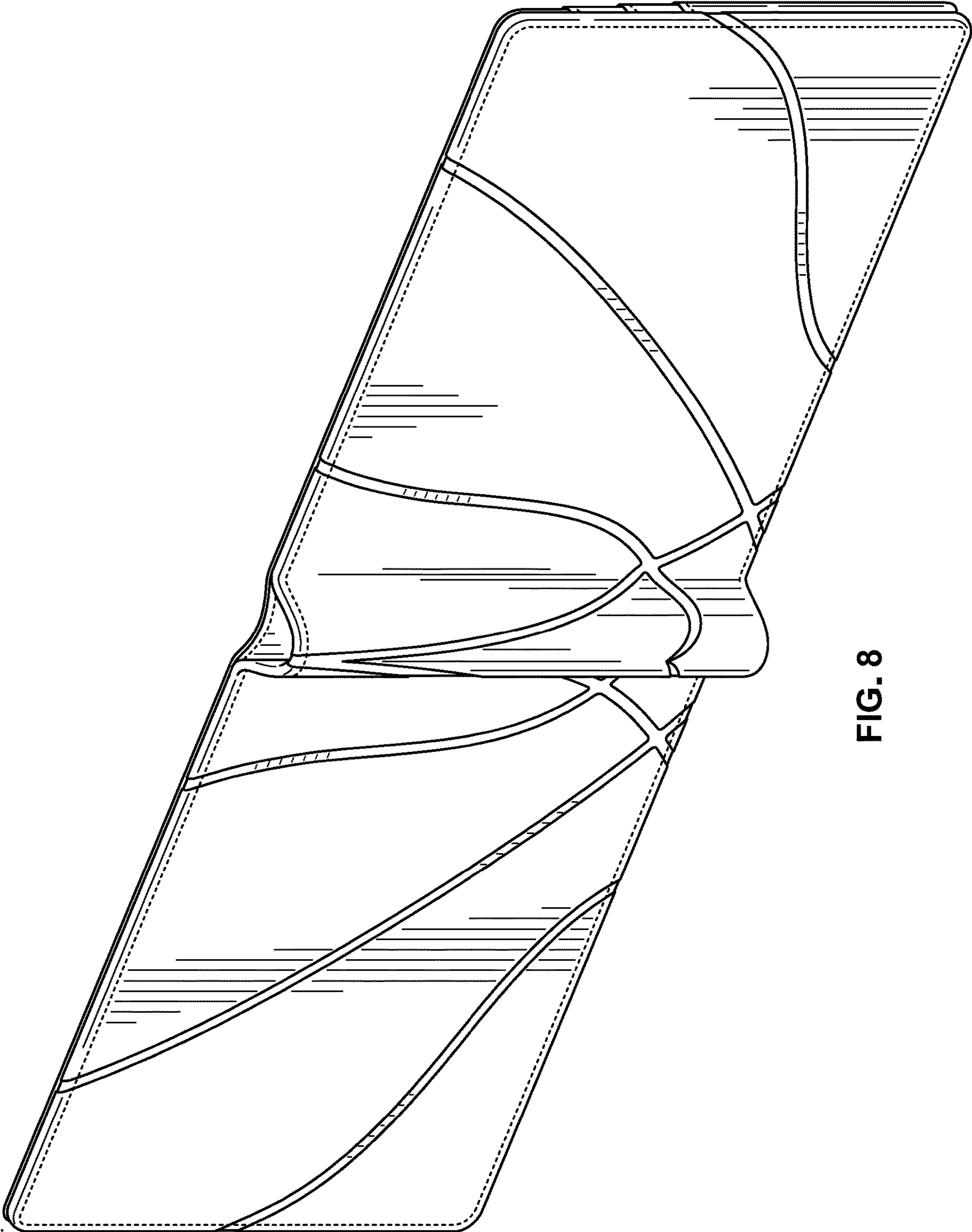


FIG. 8

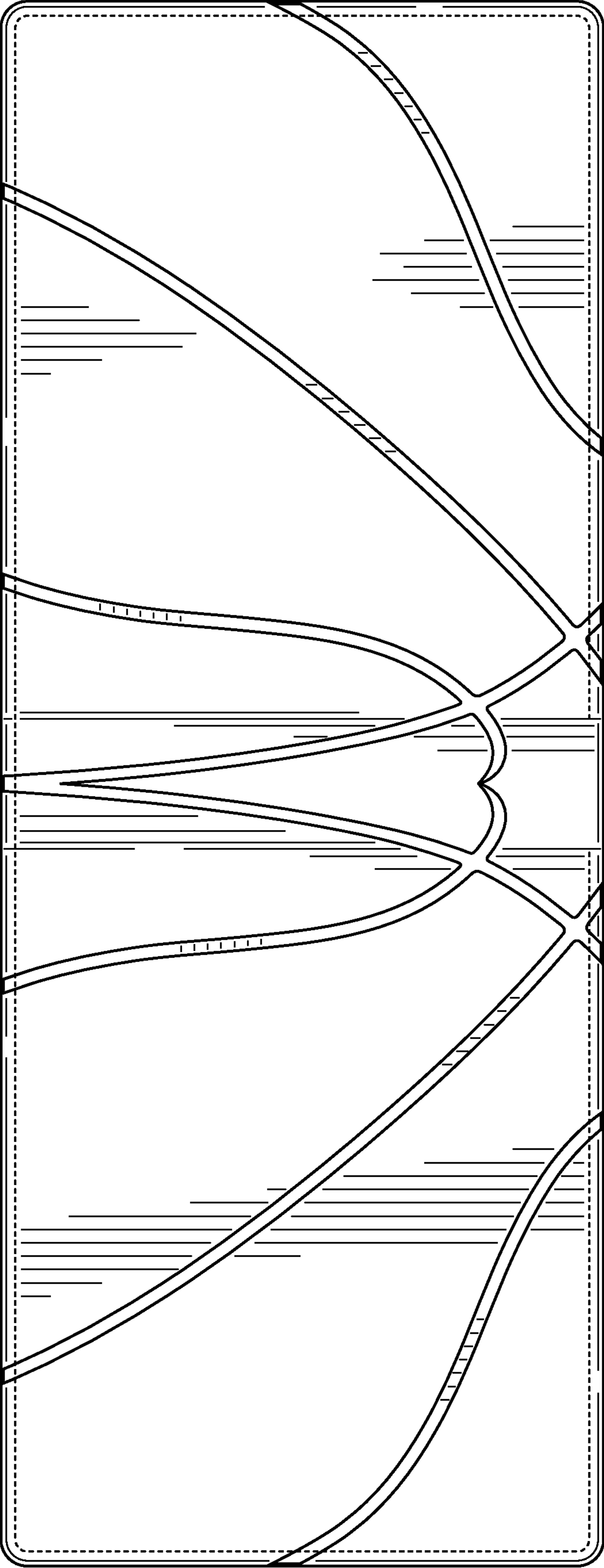


FIG. 9



FIG. 10

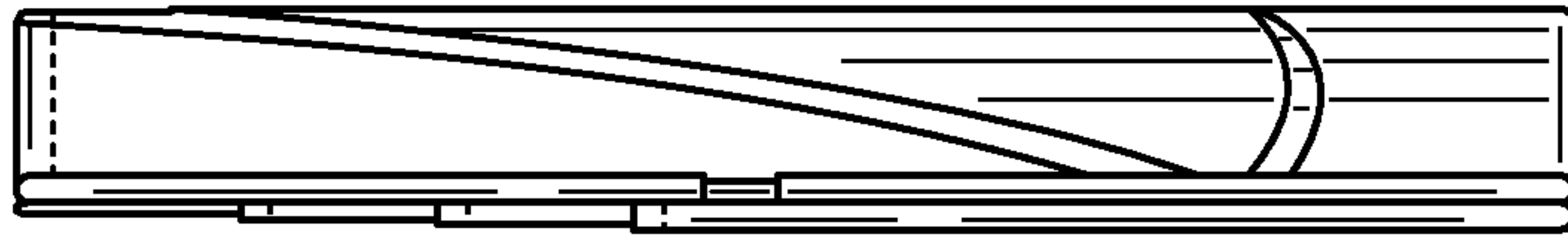


FIG. 12

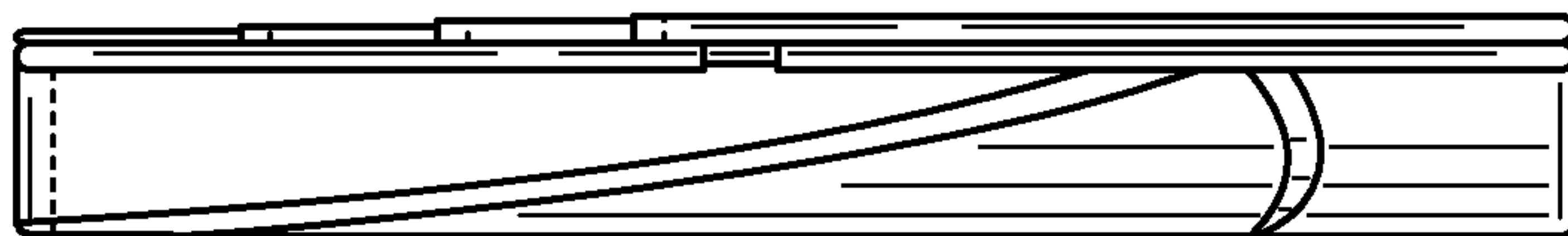


FIG. 11

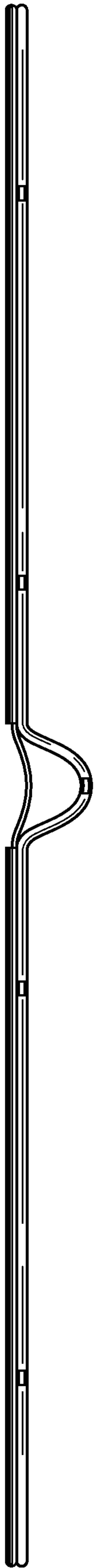


FIG. 13

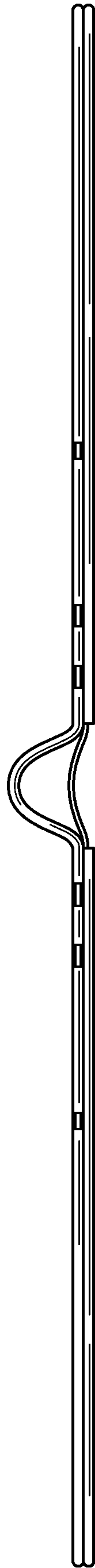


FIG. 14

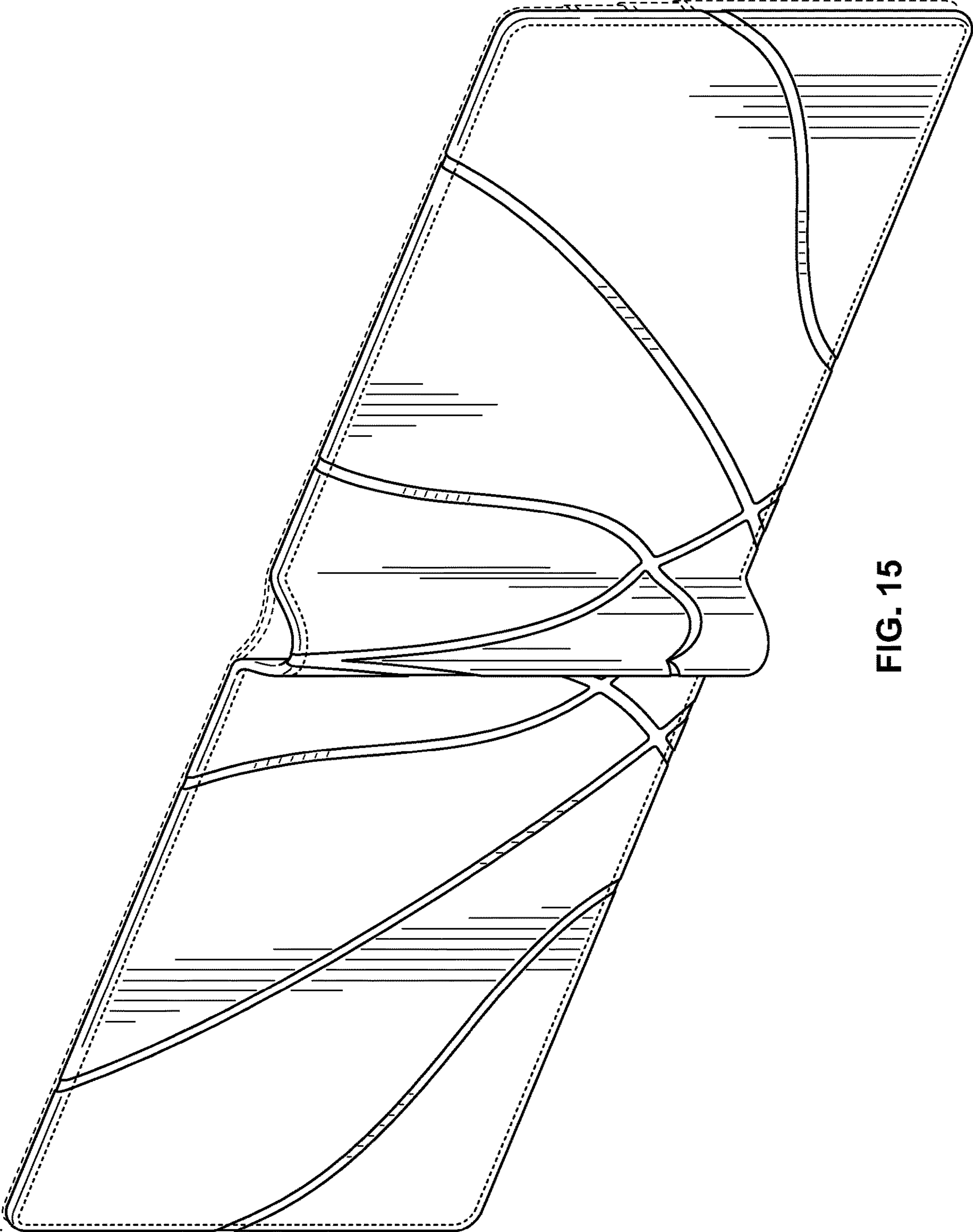


FIG. 15

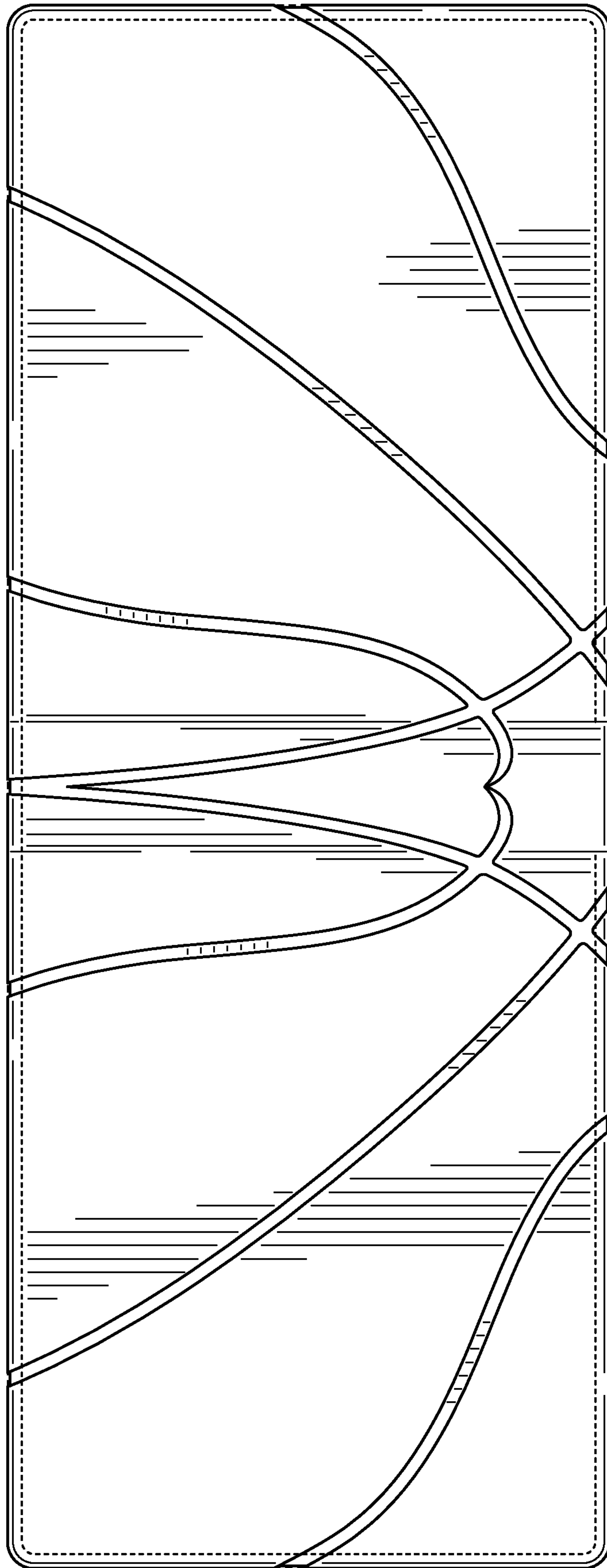


FIG. 16

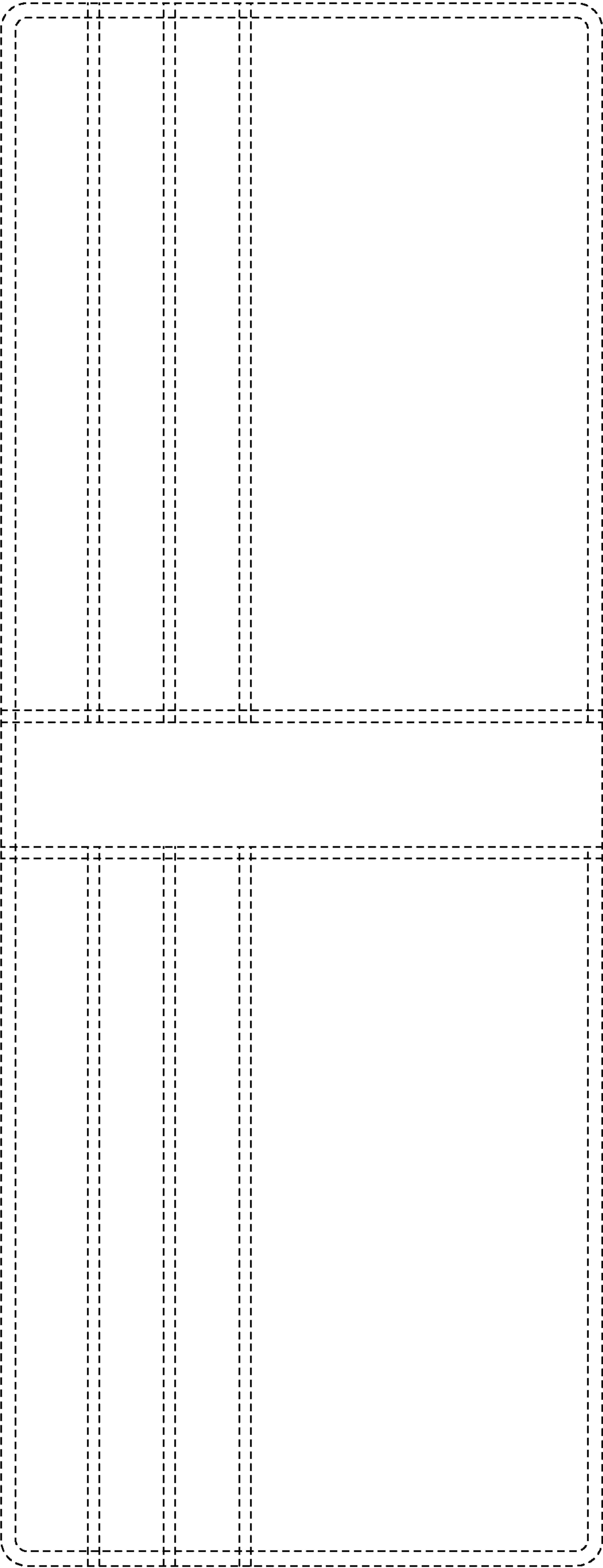


FIG. 17

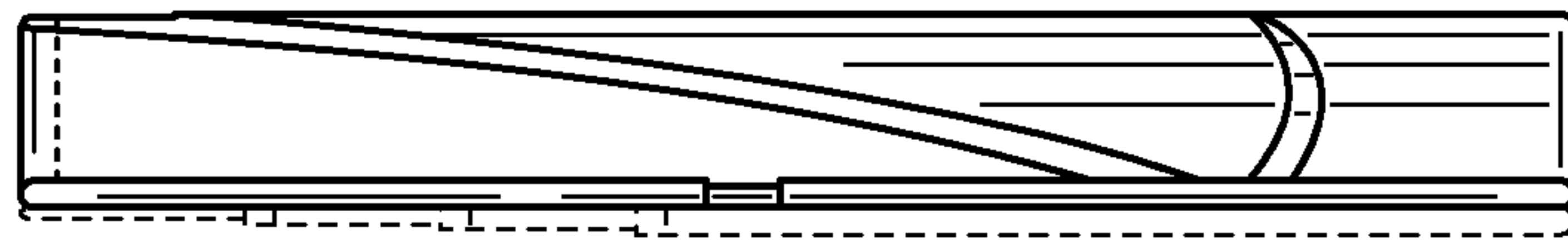


FIG. 19

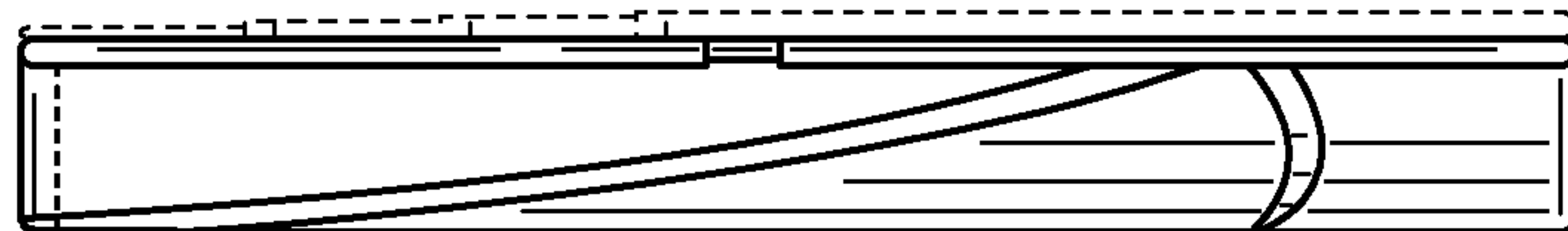


FIG. 18

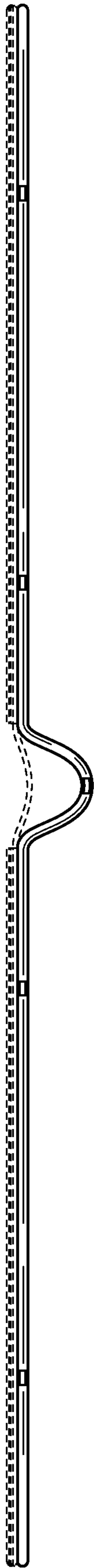


FIG. 20

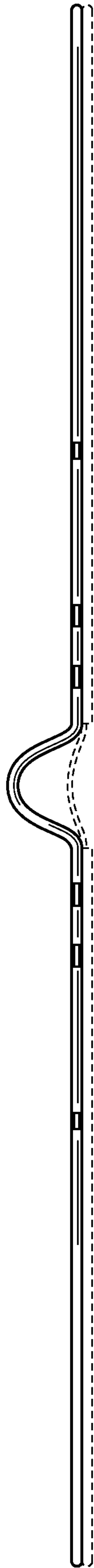


FIG. 21