



US00D885044S

(12) **United States Design Patent** (10) **Patent No.:** **US D885,044 S**  
**Teal** (45) **Date of Patent:** **\*\* \*May 26, 2020**

(54) **COSMETIC ACCESSORY HOLDER**

(71) Applicant: **Sandra Teal**, Chesterton, IN (US)

(72) Inventor: **Sandra Teal**, Chesterton, IN (US)

(\*) Notice: This patent is subject to a terminal disclaimer.

(\*\*) Term: **15 Years**

(21) Appl. No.: **29/616,610**

(22) Filed: **Sep. 7, 2017**

(51) **LOC (12) Cl.** ..... **03-01**

(52) **U.S. Cl.**  
USPC ..... **D3/228; D28/73**

(58) **Field of Classification Search**  
USPC ..... D28/10, 60-64.7, 73-76, 199; D3/20, D3/203.1, 203.5, 212, 215, 224, 225, 226, D3/228, 243, 251, 303, 318; D30/108, D30/139-141, 144, 148, 149, 151-154  
CPC ..... A45F 5/00; A45F 5/14  
See application file for complete search history.

(56) **References Cited**

**U.S. PATENT DOCUMENTS**

2,413,580	A *	12/1946	Perry	.....	F42B 39/02
					206/3
2,598,070	A *	5/1952	Randall	.....	A47G 33/02
					206/19
3,542,263	A *	11/1970	Callahan	.....	A45C 1/06
					224/199
4,648,603	A *	3/1987	Hayford, Jr.	.....	A63F 13/02
					273/148 B
D294,525	S *	3/1988	Tate	.....	D28/10
D296,616	S *	7/1988	Pangburn	.....	D3/230
4,790,461	A *	12/1988	Stover	.....	A45F 5/00
					224/234

D330,806	S *	11/1992	Seber	.....	D3/228
D344,630	S *	3/1994	Doerksen	.....	D3/228
D356,441	S *	3/1995	Scheller	.....	D3/215
D359,848	S *	7/1995	Pounds	.....	D3/228
D412,059	S *	7/1999	White	.....	D3/215
D452,071	S *	12/2001	Snider	.....	D3/228
D485,063	S *	1/2004	Devane	.....	D3/228
D489,175	S *	5/2004	Gaita	.....	D3/215
D509,057	S *	9/2005	Bollig	.....	D3/226
D632,078	S *	2/2011	Schmitz	.....	D3/299
D659,906	S *	5/2012	Whitman	.....	D28/73
D762,377	S *	8/2016	Kinsky	.....	D3/228
9,737,055	B2 *	8/2017	Craig	.....	A01K 27/008
2013/0161339	A1 *	6/2013	Stein	.....	B65D 33/00
					220/694

\* cited by examiner

*Primary Examiner* — Kevin K Rudzinski

*Assistant Examiner* — Mehri F Bajoul

(74) *Attorney, Agent, or Firm* — Hartman Global IP Law; Gary M. Hartman; Domenica N. S. Hartman

(57) **CLAIM**

The ornamental design for a cosmetic accessory holder, as shown and described.

**DESCRIPTION**

FIG. 1 is a perspective view of a cosmetic accessory holder in accordance with this invention.

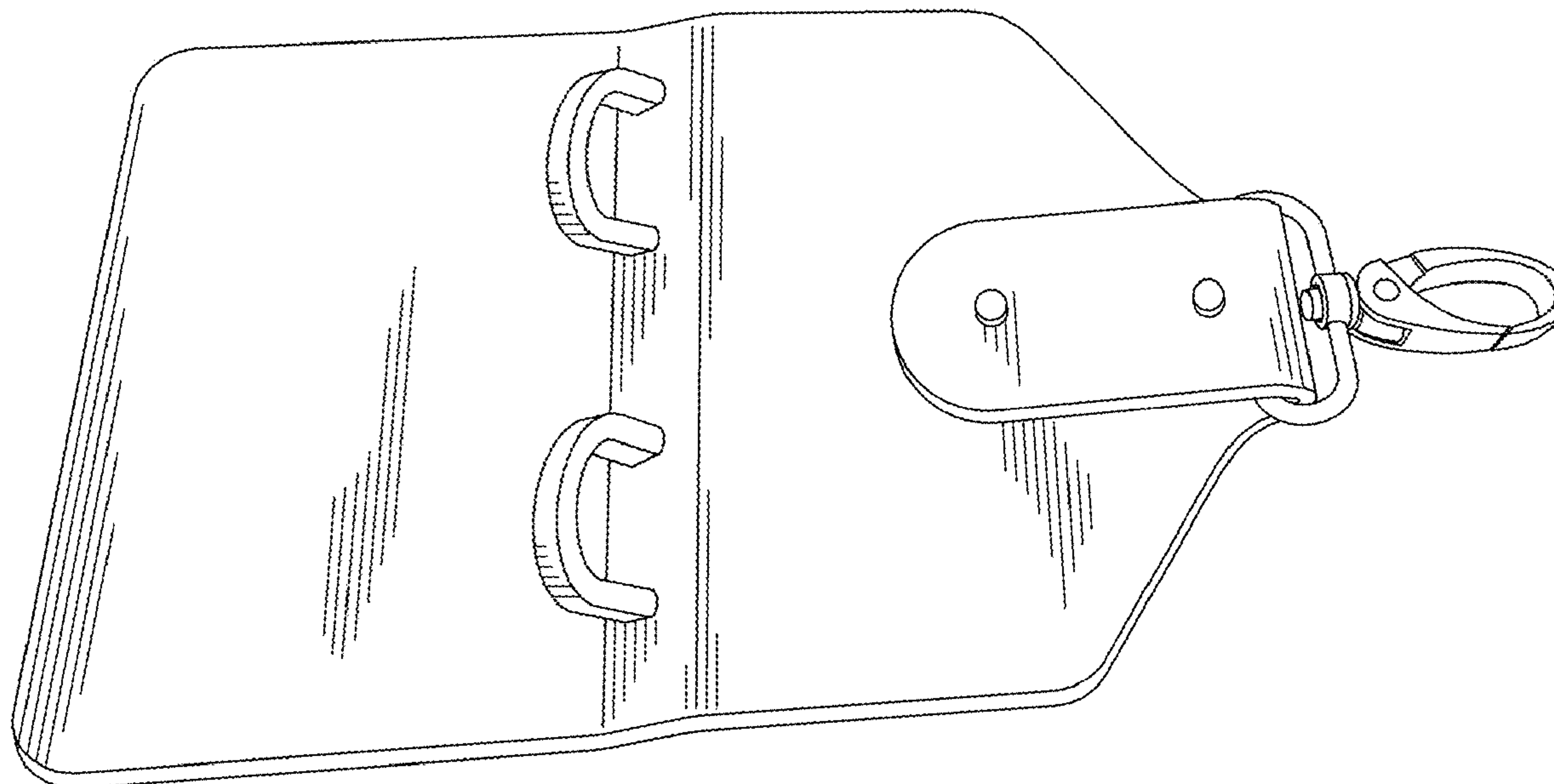
FIG. 2 is a rear perspective view of the cosmetic accessory holder of FIG. 1.

FIG. 3 is a right side view of the cosmetic accessory holder of FIG. 1, wherein the left side view of the cosmetic accessory holder is a mirror image and therefore not shown.

FIG. 4 is a bottom plan view of the cosmetic accessory holder of FIG. 1; and,

FIG. 5 is a top plan view of the cosmetic accessory holder of FIG. 1.

**1 Claim, 2 Drawing Sheets**



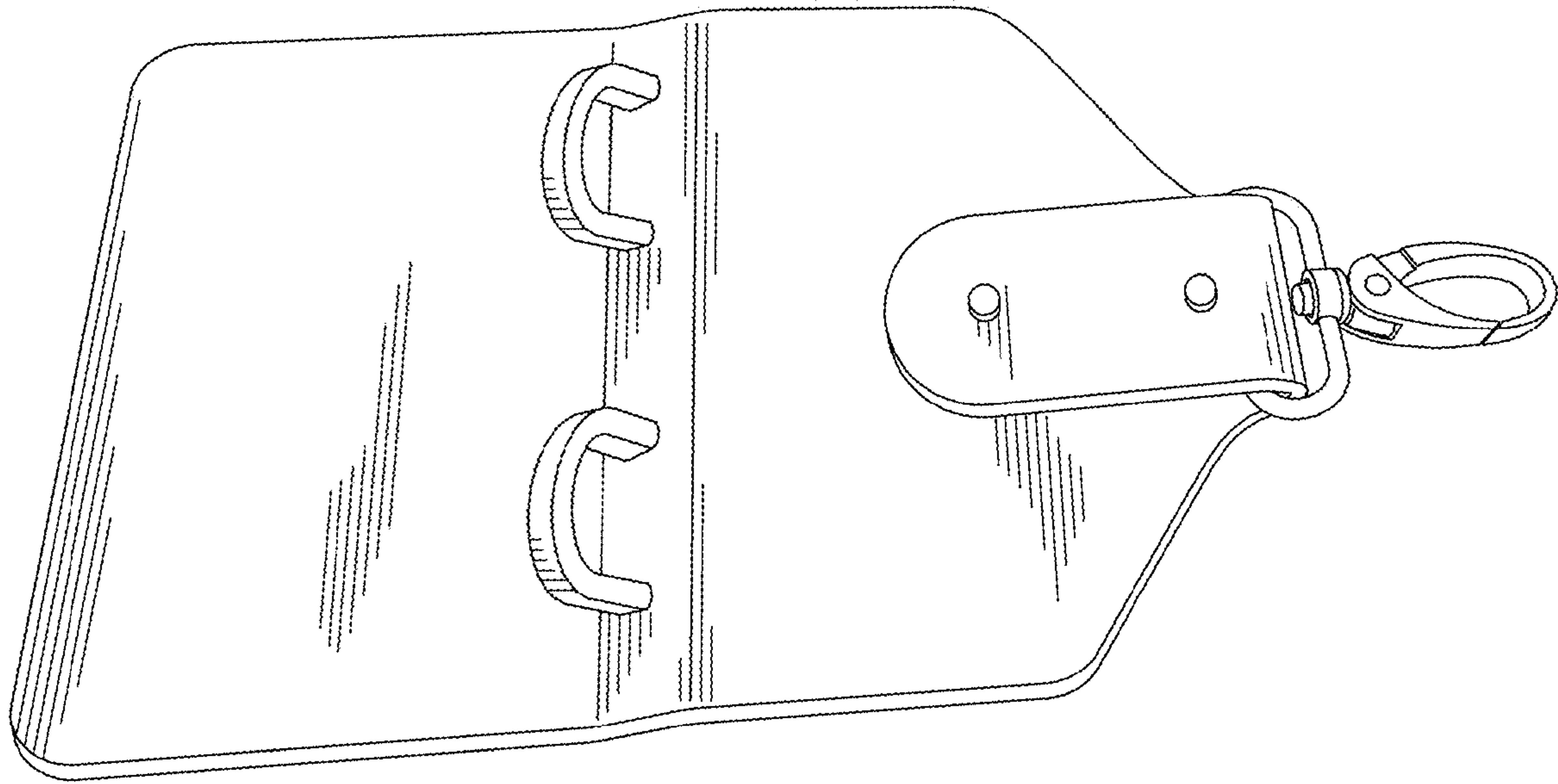


Fig. 1

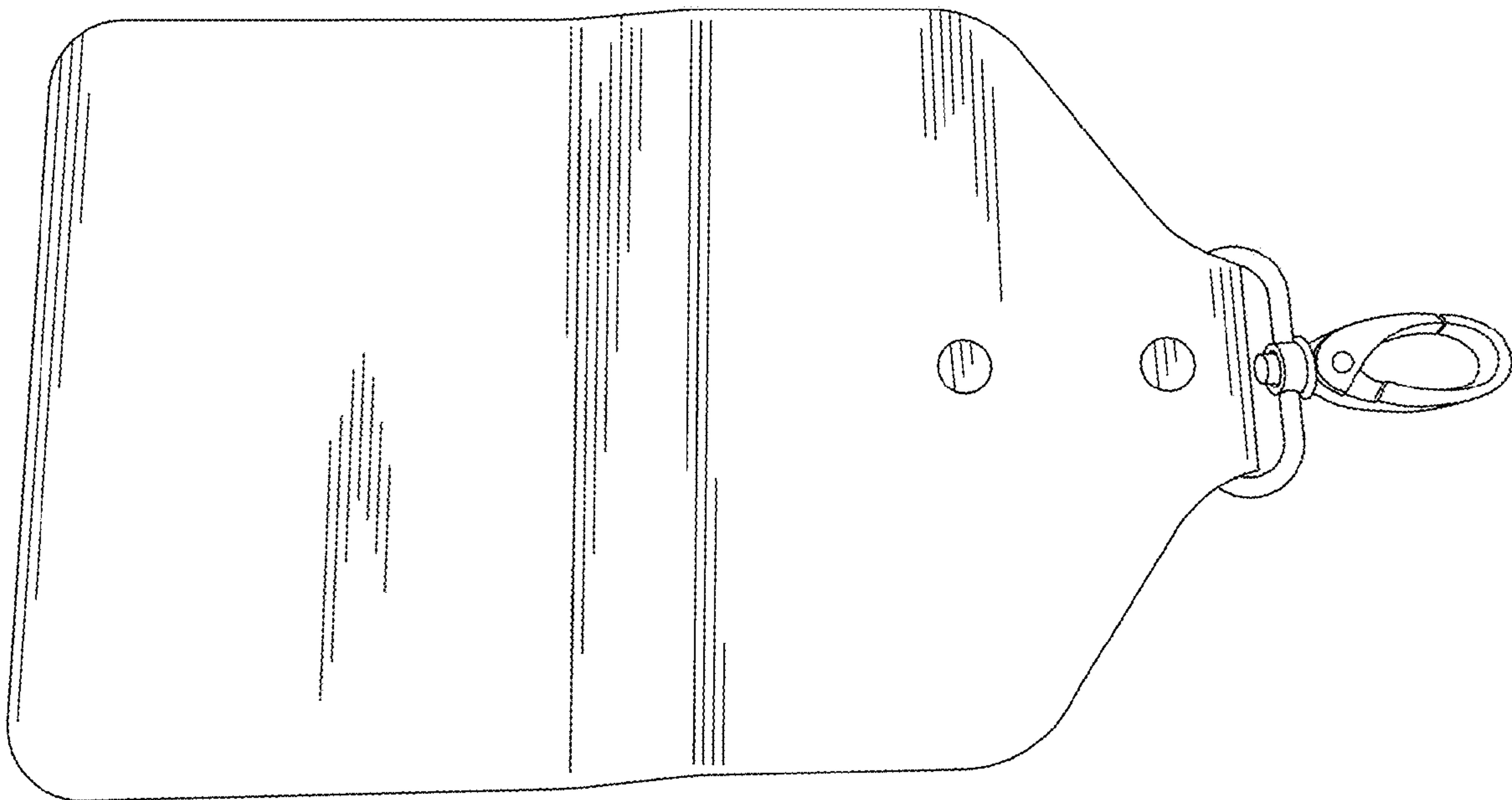


Fig. 2

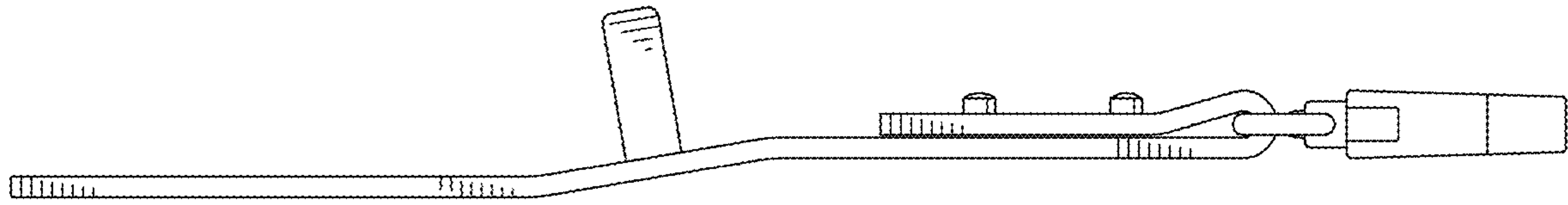


Fig. 3

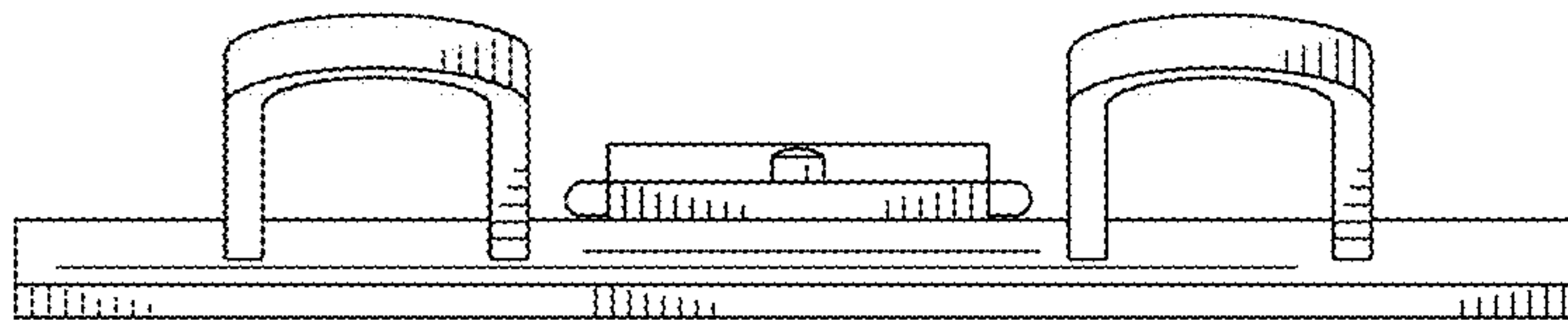


Fig. 4

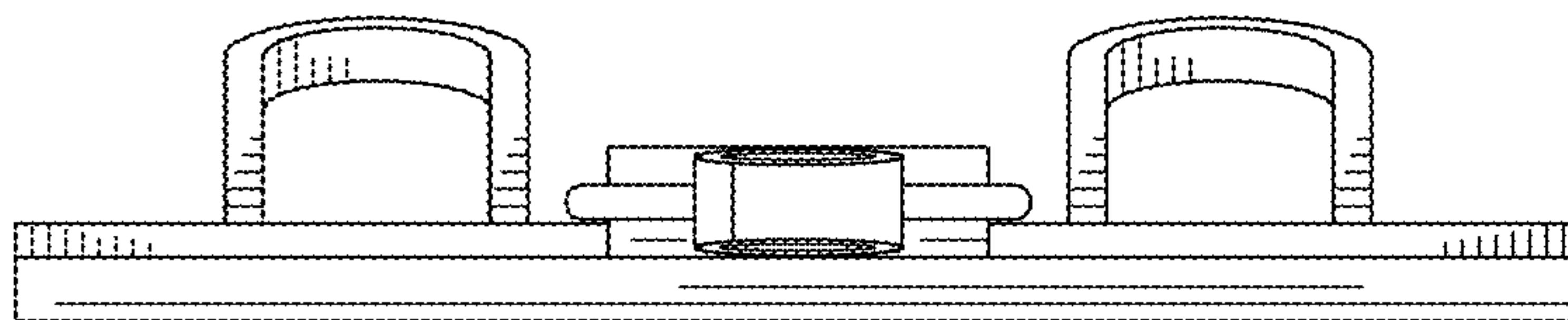


Fig. 5