



US00D885042S

(12) **United States Design Patent** (10) **Patent No.:** **US D885,042 S**
Li (45) **Date of Patent:** **** May 26, 2020**

(54) **BAG**
(71) Applicant: **Weixuan Li**, Puning (CN)
(72) Inventor: **Weixuan Li**, Puning (CN)
(**) Term: **15 Years**
(21) Appl. No.: **29/678,814**
(22) Filed: **Jan. 31, 2019**
(51) **LOC (12) Cl.** **03-01**
(52) **U.S. Cl.**
USPC **D3/217**
(58) **Field of Classification Search**
USPC D3/201, 216, 217, 254, 272, 279, 294;
D7/605
CPC A45F 3/04; A45F 4/02; A45F 2003/045;
A45F 2003/125; A45F 3/02; A45F
2003/127; A45F 3/047; A45F 3/12; A45F
2003/001
See application file for complete search history.

EP 005616273-0001 8/2018
EP 005801784-0004 10/2018
EP 005940129-0002 1/2019

OTHER PUBLICATIONS

Amazon Diaper Bag Backpack, Ruvalino. Reviewed on Amazon Sep. 2018, viewed by examiner Mar. 29, 2019. Available online at URL: https://www.amazon.com/Backpack-RUVALINO-Multifunction-Maternity-Waterproof/dp/B07C3SWZXX/ref=cm_cr_ar_p_d_product_top?ie=UTF8&th=1.
https://www.amazon.com/gp/product/B07C3SWZXX/ref=ask_ql_qh_dp_hza?th=1.
<http://www.ruvalino.com.cn/col.jsp?id=103>.

* cited by examiner

Primary Examiner — Jennifer L Watkins
(74) *Attorney, Agent, or Firm* — Wayne V. Harper

(57) **CLAIM**

I claim the ornamental design for a bag, as shown and described.

(56) **References Cited**

U.S. PATENT DOCUMENTS

D446,008 S 8/2001 Schulze
D468,534 S * 1/2003 Crandall D3/276
6,651,853 B2 * 11/2003 Higgins A45F 3/04
224/155
D759,370 S * 6/2016 Godzich D3/216
D789,682 S * 6/2017 Maeng D3/217
D819,959 S * 6/2018 Choi D3/217
D833,736 S * 11/2018 Voll D3/217

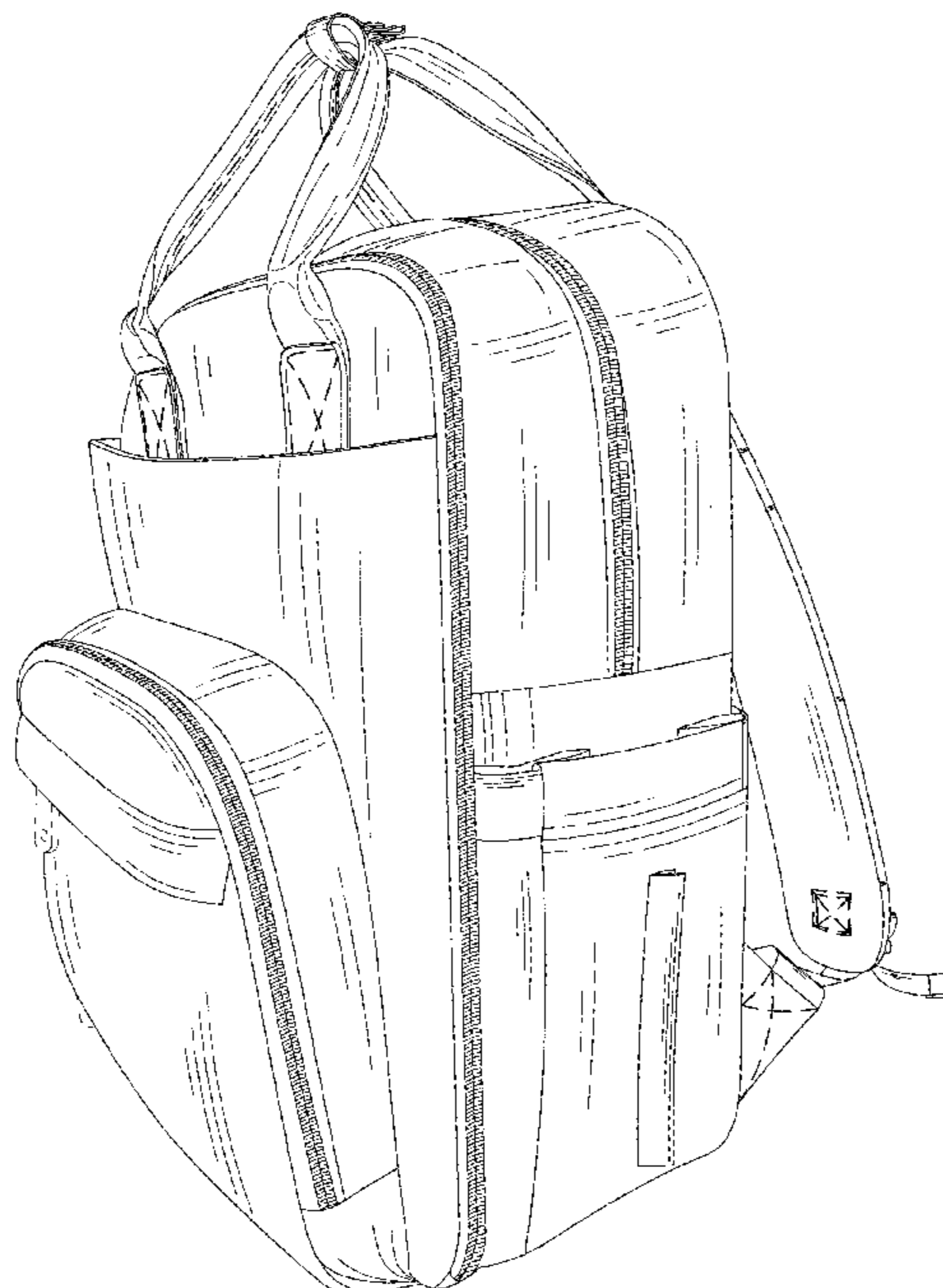
FOREIGN PATENT DOCUMENTS

EP 002670760-0001 3/2015
EP 004036135-0010 6/2017

DESCRIPTION

FIG. 1 is a perspective view of a bag showing my new design;
FIG. 2 is a left-side view of the bag as shown in FIG. 1;
FIG. 3 is a right-side view of the bag as shown in FIG. 1;
FIG. 4 is a front view of the bag as shown in FIG. 1;
FIG. 5 is a back view of the bag as shown in FIG. 1;
FIG. 6 is a bottom view of the bag as shown in FIG. 1; and,
FIG. 7 is a top view of the bag as shown in FIG. 1.
The broken lines in the figures are for the purpose of depicting stitching along with environment (such as Zipper) and form no part of claim.

1 Claim, 7 Drawing Sheets



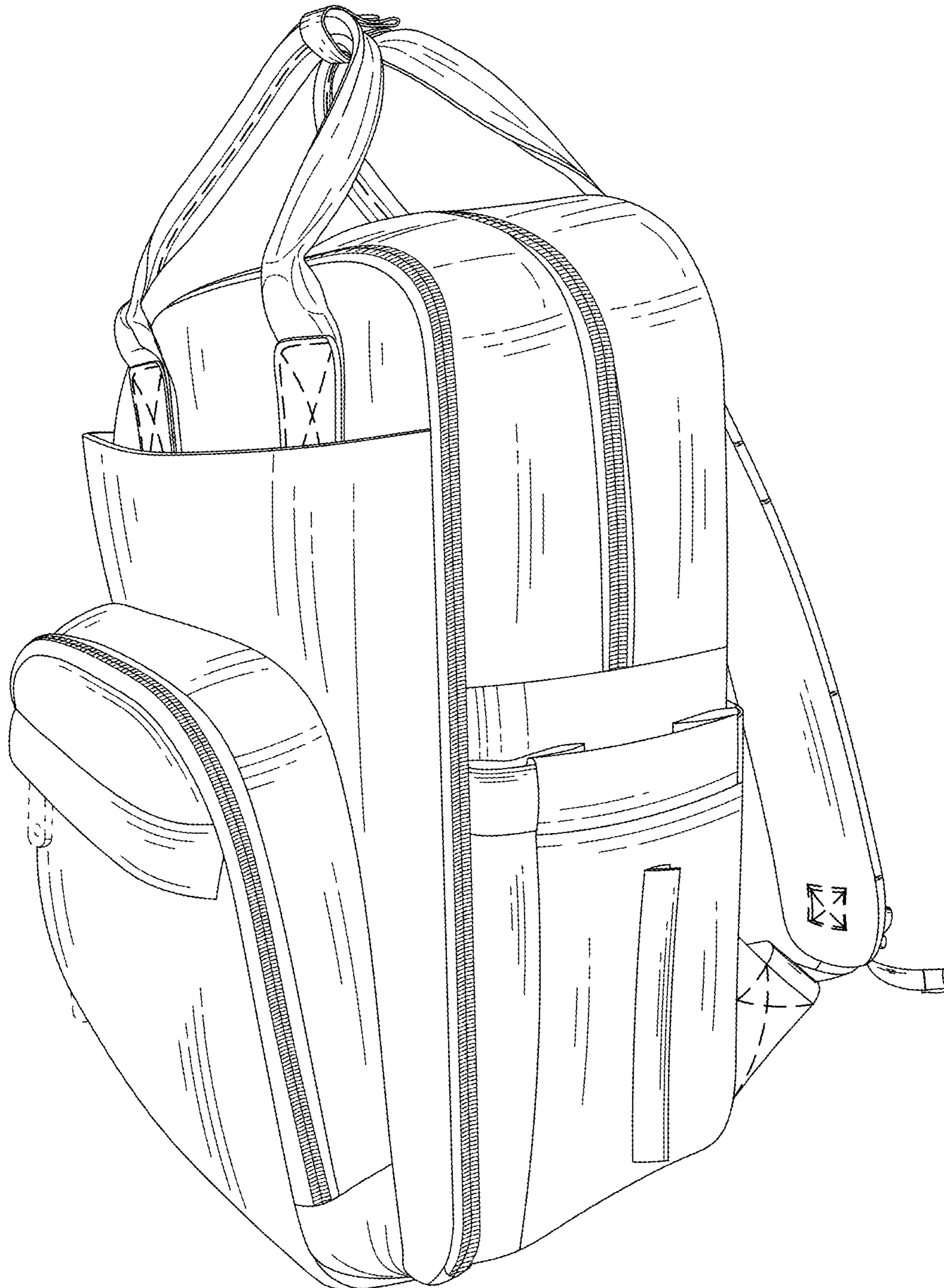


FIG. 1

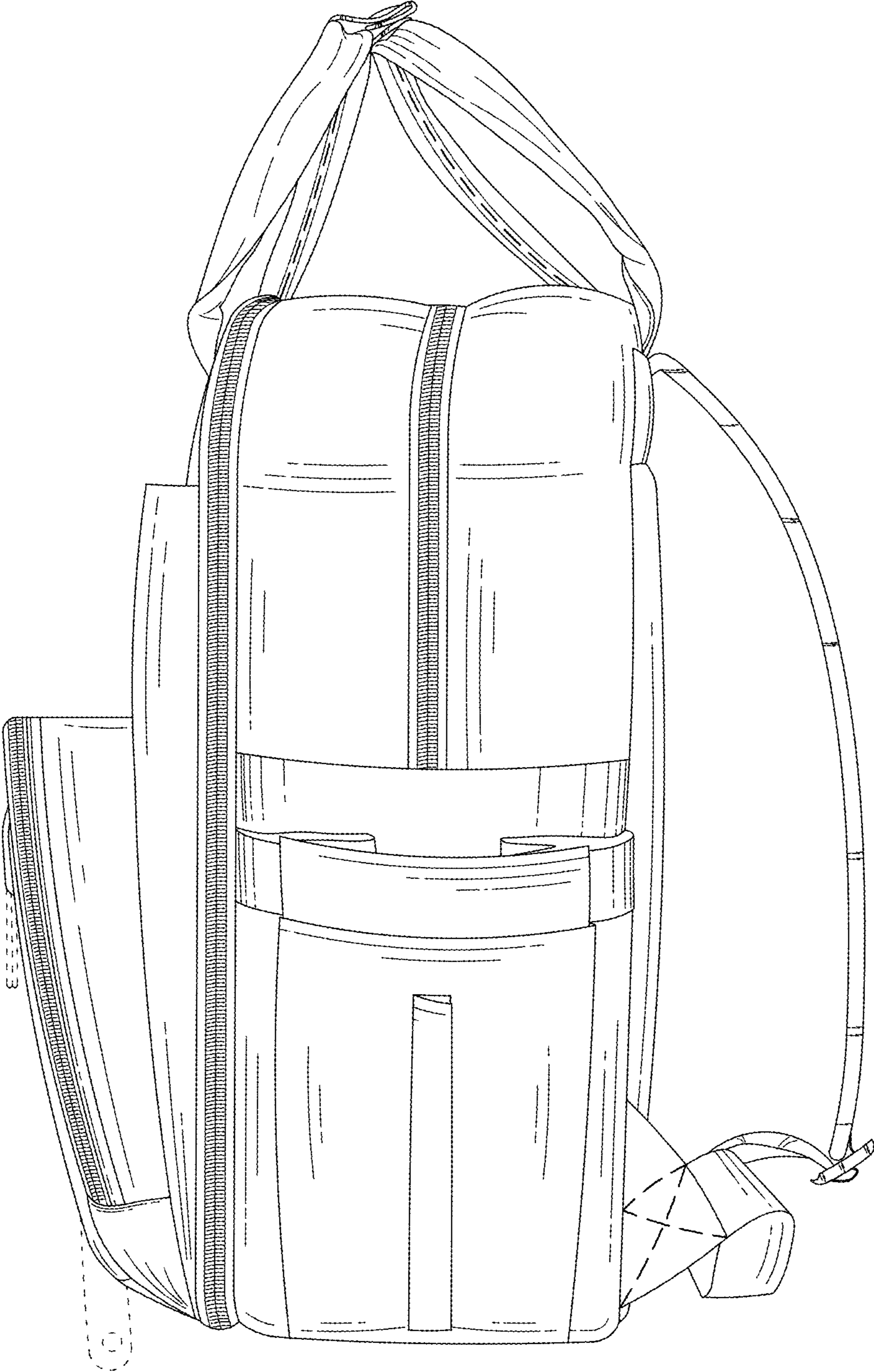


FIG. 2

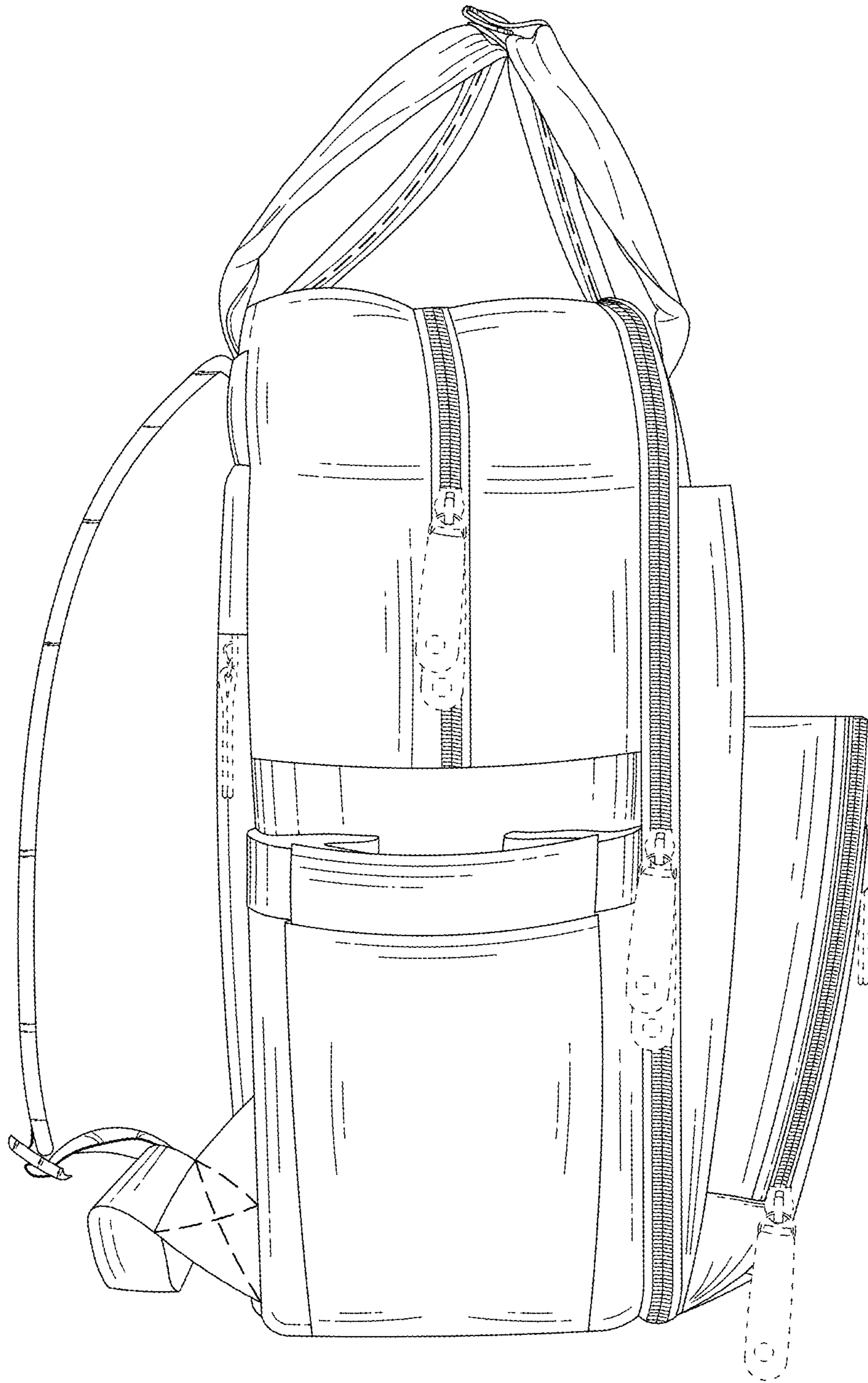


FIG. 3

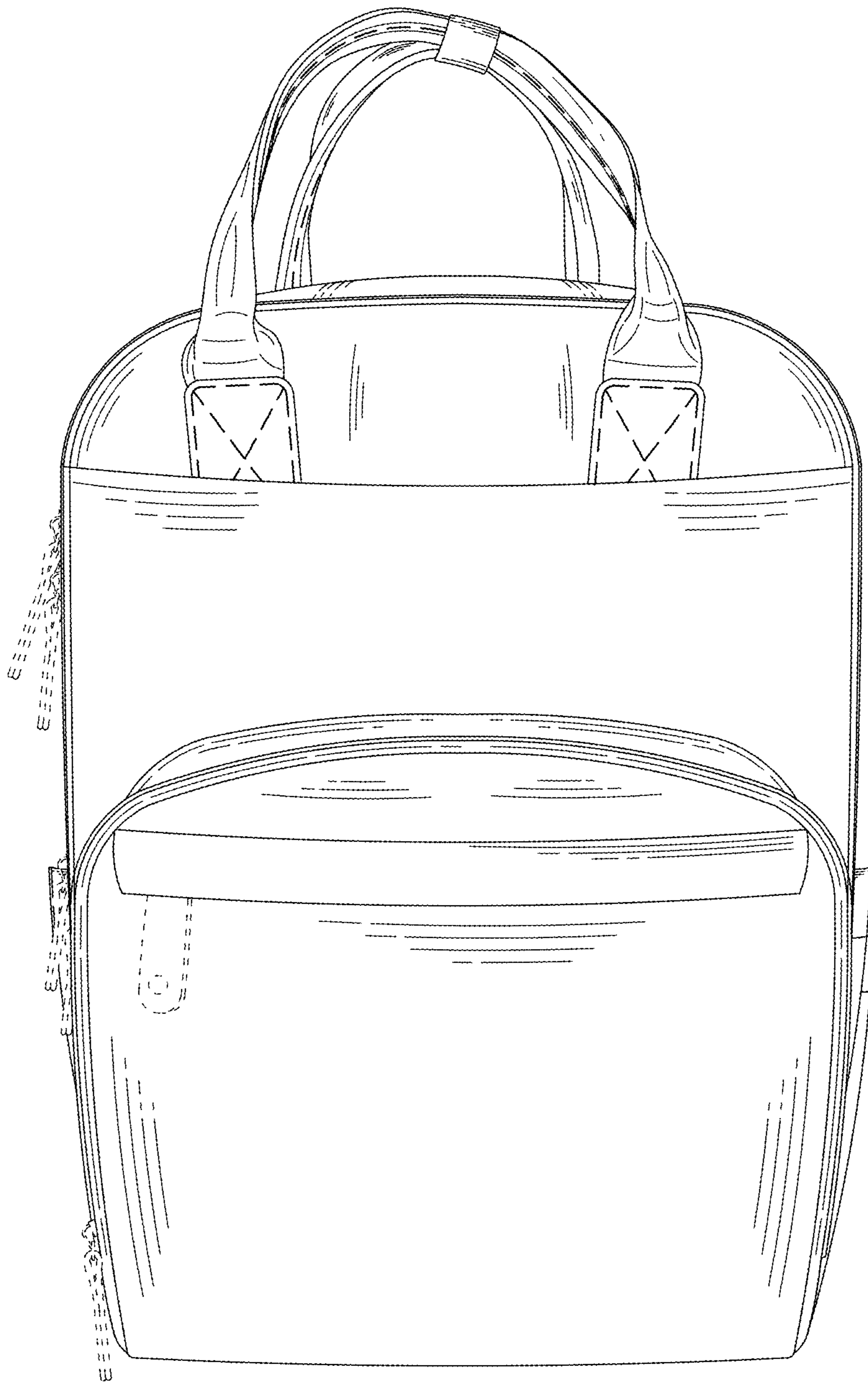


FIG. 4



FIG. 5

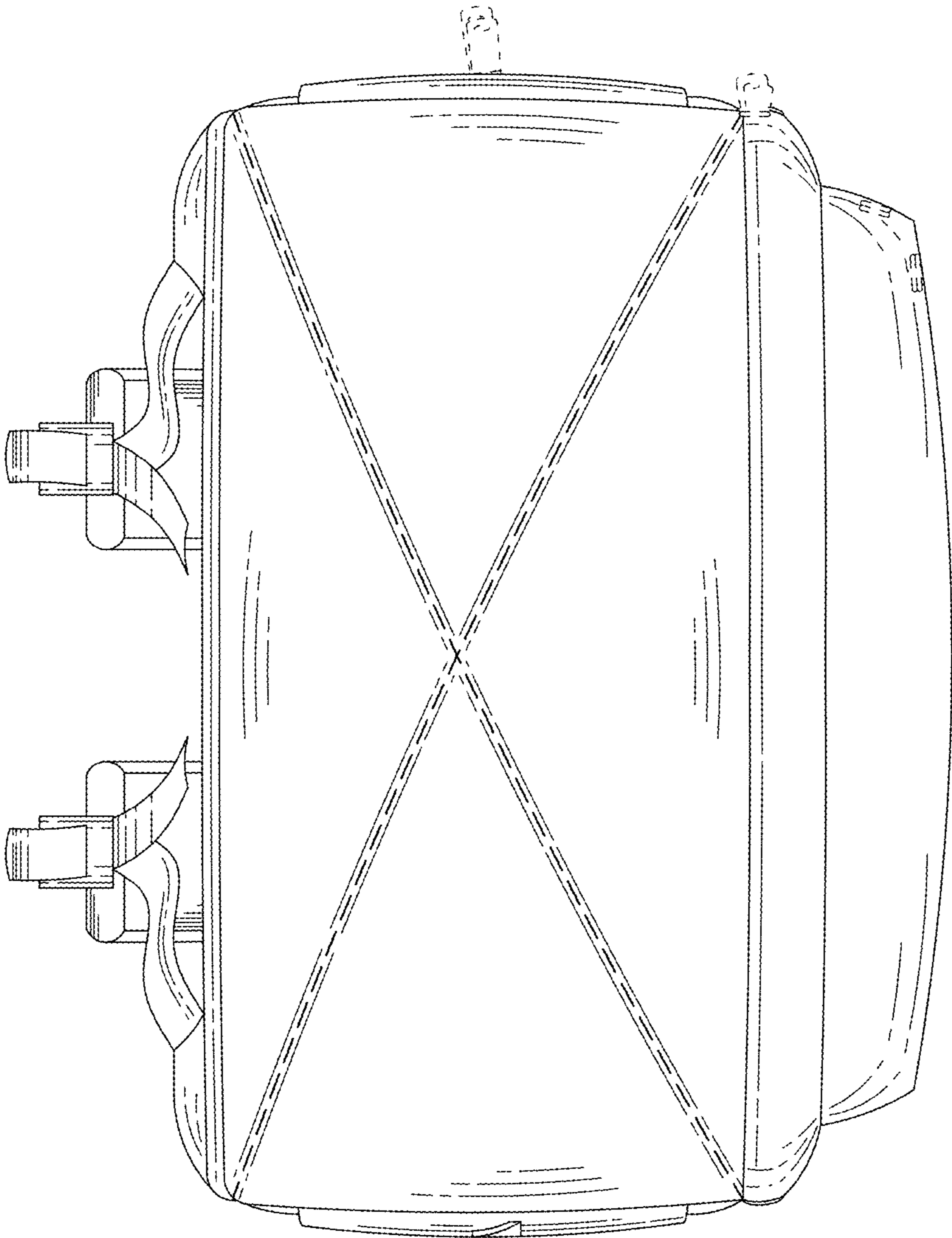


FIG. 6

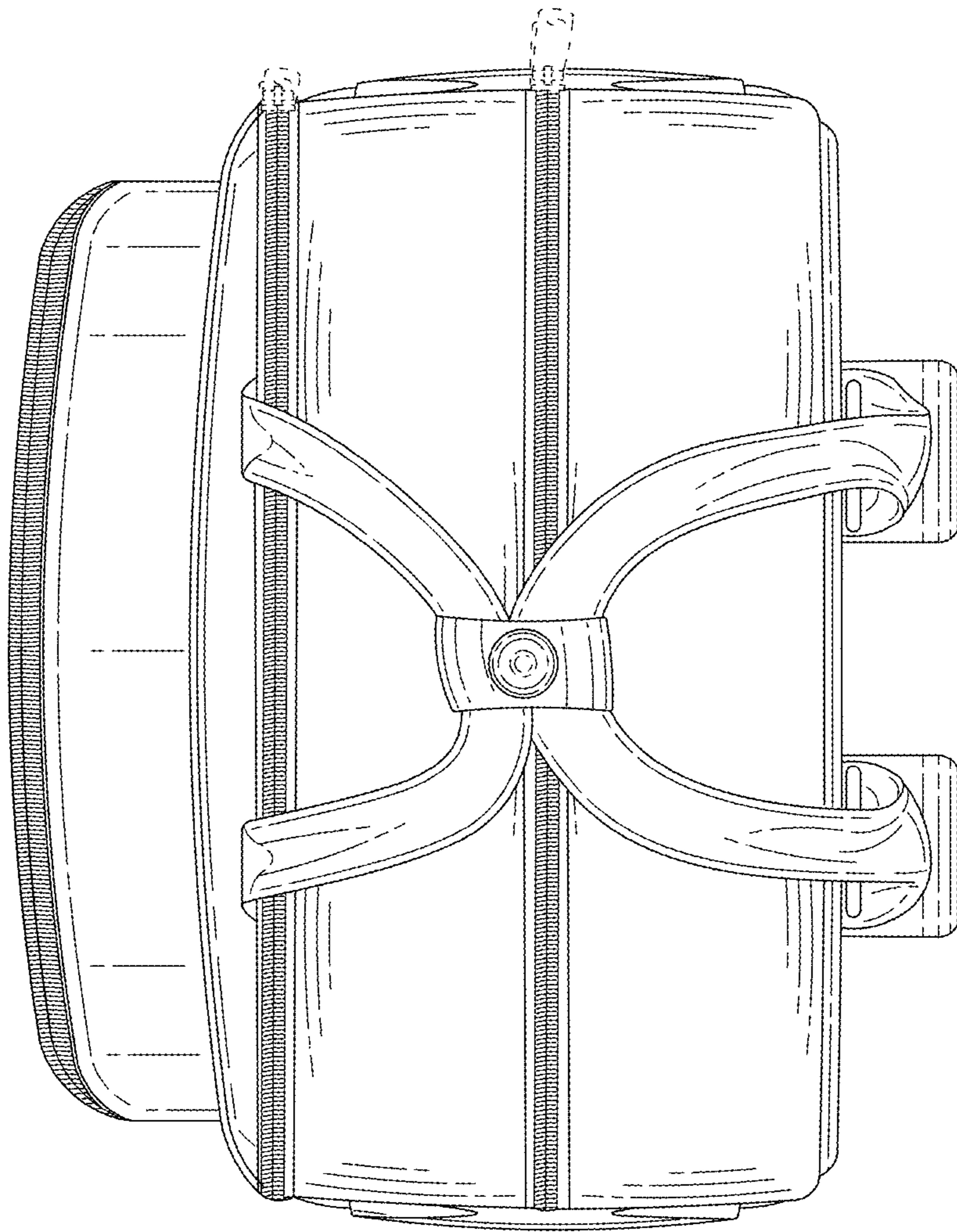


FIG. 7