



US00D885031S

(12) **United States Design Patent** (10) **Patent No.:** **US D885,031 S**
Devito (45) **Date of Patent:** **** May 26, 2020**

(54) **SHOE**

(71) Applicant: **Converse Inc.**, Boston, MA (US)

(72) Inventor: **Tony Devito**, Cambridge, MA (US)

(73) Assignee: **Converse Inc.**, Boston, MA (US)

(**) Term: **15 Years**

(21) Appl. No.: **29/670,732**

(22) Filed: **Nov. 19, 2018**

(51) **LOC (12) Cl.** **02-04**

(52) **U.S. Cl.**
USPC **D2/960; D2/951; D2/954**

(58) **Field of Classification Search**
USPC D2/902, 906, 908, 916, 918, 925,
D2/946-962, 977; 36/1, 1.5, 3 B, 22 R,
36/24.5, 25 R, 28, 32 R, 34 R, 59 C,
36/67 A, 101-107, 114-116, 117.3, 117.4,
36/124-136

CPC A43B 13/00; A43B 13/02; A43B 13/023;
A43B 13/026; A43B 13/04; A43B 13/08;
A43B 13/10; A43B 13/12; A43B 13/14;
A43B 13/141; A43B 13/143; A43B
13/16; A43B 13/18; A43B 13/181; A43B
13/187; A43B 13/189; A43B 13/20; A43B
13/22; A43B 13/223; A43B 13/24; A43B
13/28; A43B 13/30; A43B 13/32; A43B
13/34; A43B 13/36

See application file for complete search history.

(56) **References Cited**

U.S. PATENT DOCUMENTS

4,562,651 A 1/1986 Frederick et al.
D285,984 S 10/1986 Tong et al.
4,676,011 A * 6/1987 O'Rourke A43B 5/00
36/114
D290,660 S * 7/1987 Selbiger 36/32 R
D290,900 S * 7/1987 Schornstein D2/916
D291,147 S * 8/1987 Kelley 36/32 R

(Continued)

FOREIGN PATENT DOCUMENTS

DE 10212862 * 10/2003 A43B 13/18

OTHER PUBLICATIONS

More 'Last Shot' Air Jordans Are Releasing, SoleCollector.com, by
Brandon Richard, May 13, 2018, [online], [site visited Feb. 25,
2020]. <URL: https://solecollector.com/news/2018/05/air-jordan-1-
mid-last-shot-release-date554724-076> (Year: 2018).*

(Continued)

Primary Examiner — T Chase Nelson

Assistant Examiner — Jonathan J. Han

(74) *Attorney, Agent, or Firm* — Banner & Witcoff, Ltd.

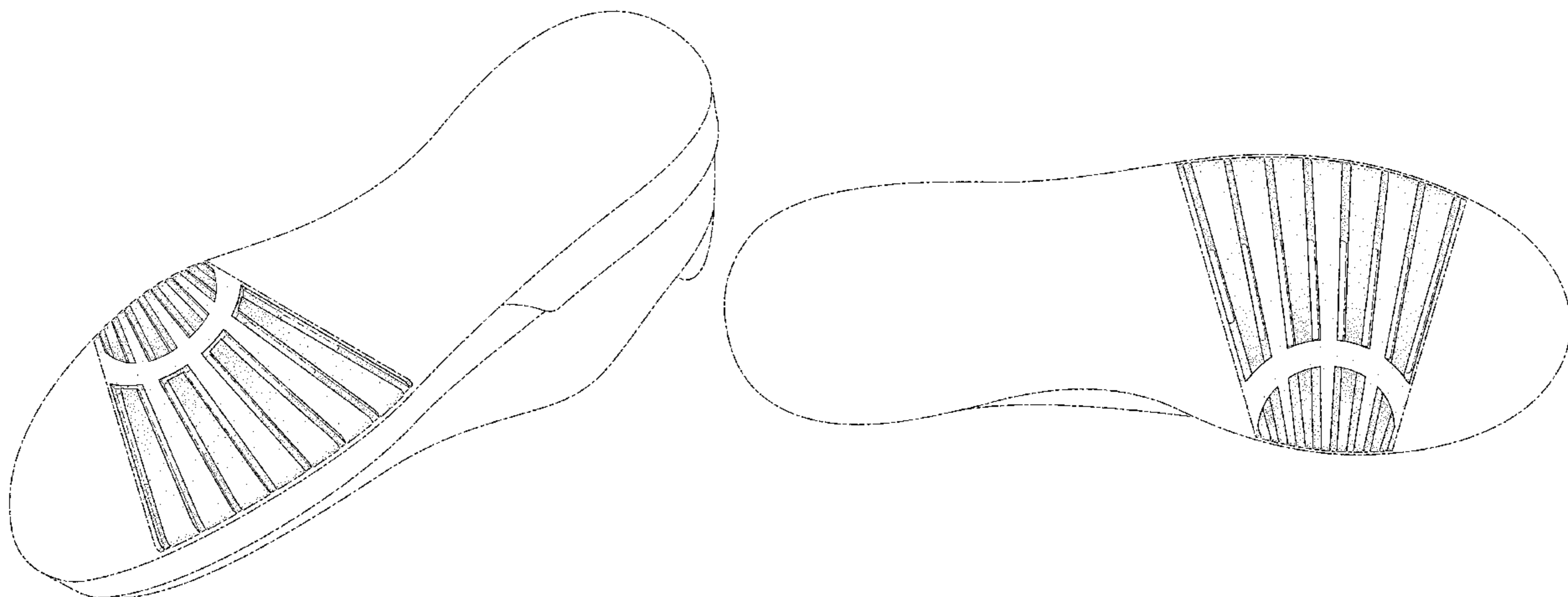
(57) **CLAIM**

The ornamental design for a shoe, as shown and described.

DESCRIPTION

FIG. 1 is a front perspective view of a shoe showing my new
design;
FIG. 2 is an opposite front perspective view thereof;
FIG. 3 is a bottom view thereof;
FIG. 4 is an enlarged view of the claimed area of FIG. 1 with
environment removed for clarity purposes;
FIG. 5 is an enlarged view of the claimed area of FIG. 2 with
environment removed for clarity purposes; and,
FIG. 6 is an enlarged view of the claimed area of FIG. 3 with
environment removed for clarity purposes.
The broken lines immediately adjacent to the shaded area
define the bounds of the claimed design and form no part
thereof. The eight unshaded oval-shaped features shown in
broken lines within the shaded area form no part of the
claimed design. The broken lines depicting the remainder of
the shoe show features that form no part of the claimed
design.

1 Claim, 6 Drawing Sheets



(56)

References Cited

U.S. PATENT DOCUMENTS

D293,620 S * 1/1988 Liggett D2/955
 D294,656 S * 3/1988 Liggett D2/955
 D295,460 S * 5/1988 Hase D2/955
 D296,152 S * 6/1988 Selbiger D2/954
 D298,683 S * 11/1988 Kelley D2/954
 D299,584 S * 1/1989 Franklin D2/955
 D299,984 S * 2/1989 Liggett D2/955
 D301,181 S * 5/1989 Brill D2/955
 D302,351 S * 7/1989 Brill D2/955
 D303,316 S * 9/1989 Crowley D2/955
 D304,259 S * 10/1989 Nakano D2/955
 D304,520 S 11/1989 Clark
 D305,279 S 1/1990 Hase
 D316,175 S * 4/1991 Legacki D2/953
 D323,928 S * 2/1992 Claveria D2/949
 D324,604 S * 3/1992 Hoshimi D2/949
 D325,808 S * 5/1992 Austin D2/955
 D336,151 S * 6/1993 Minkin D2/955
 D423,202 S * 4/2000 Lubart D2/961
 D458,012 S * 6/2002 Yang D2/953
 D550,432 S * 9/2007 Belley D2/952
 D551,432 S * 9/2007 Belley D2/952
 D614,838 S * 5/2010 Bramani D2/947
 D636,981 S * 5/2011 Petrie D2/951

D649,336 S * 11/2011 Chang D2/951
 D778,565 S * 2/2017 Sars D2/960
 D787,792 S * 5/2017 Caron D2/951
 D848,722 S * 5/2019 Ruark D2/960
 D850,770 S * 6/2019 Ikeda D2/954
 D852,484 S * 7/2019 Neumann D2/960

OTHER PUBLICATIONS

Nitrille Outsole, SteelBlue.com, [online], [site visited Feb. 25, 2020]. <URL: <https://steelblue.com/ae/technology/outsoles/>> (Year: 2020).*

Reebok Zone CushRun 2.0, RunnerClick.com, by Mike Gray, [online], [site visited Feb. 25, 2020]. <URL: <https://runnerclick.com/reebok-zone-cushrun-2-0-review/>> (Year: 2020).*

An Icon of Rebellion: The Converse One Star [online], [retrieved Nov. 16, 2018] retrieved from internet <URL: <https://www.sneakerfreaker.com/articles/an-icon-of-rebellion-the-converse-one-star/>>; 8 color sheets, Dated Oct. 3, 2016.

Jordan Brand Officially Unveils the Sneaker at Last [online], [retrieved Nov. 16, 2018] retrieved from internet <URL: <https://solecollector.com/news/2017/08/banned-air-jordan-1-flyknit-release-date/>>; 11 color sheets, Dated Aug. 15, 2017.

* cited by examiner

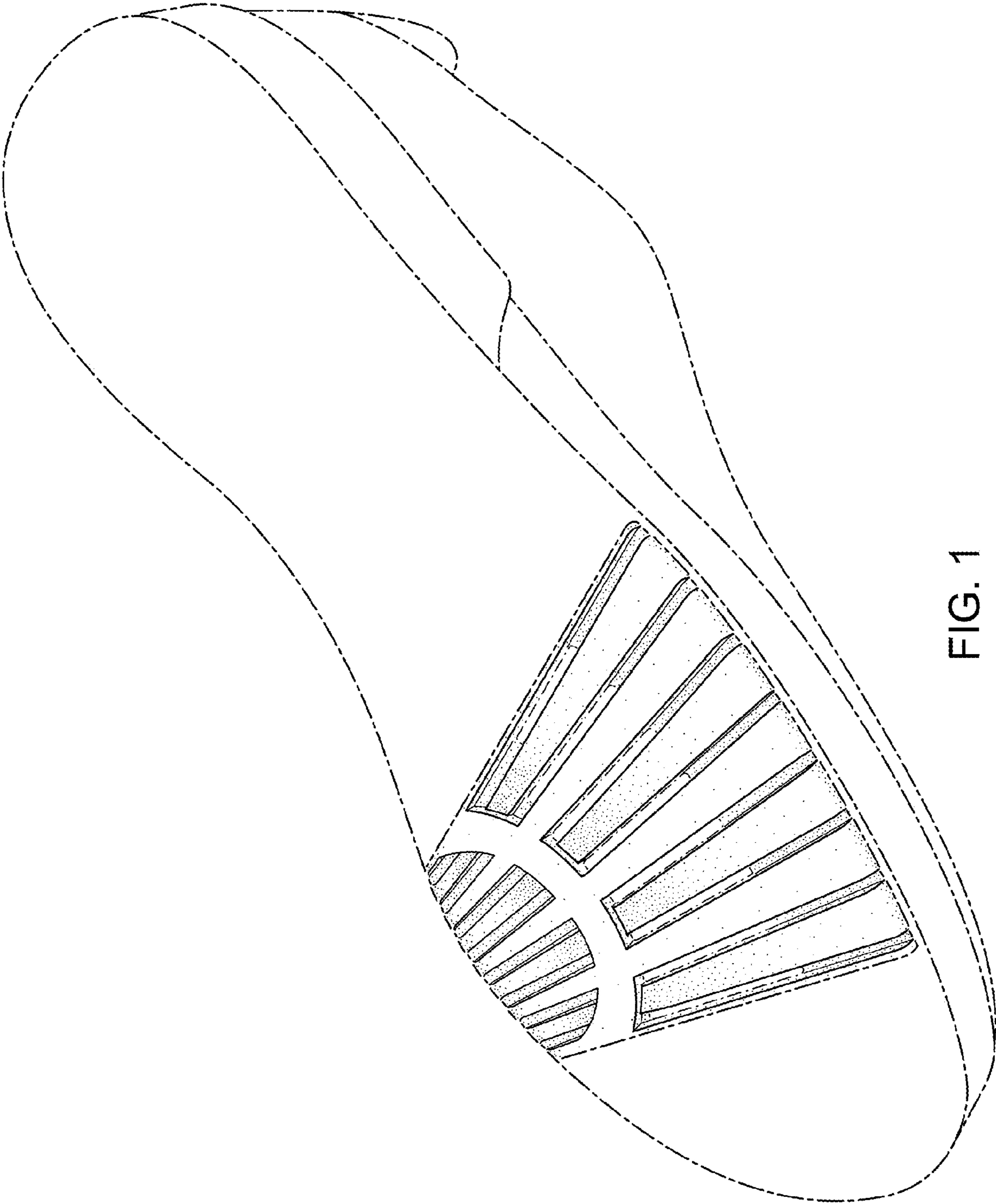


FIG. 1

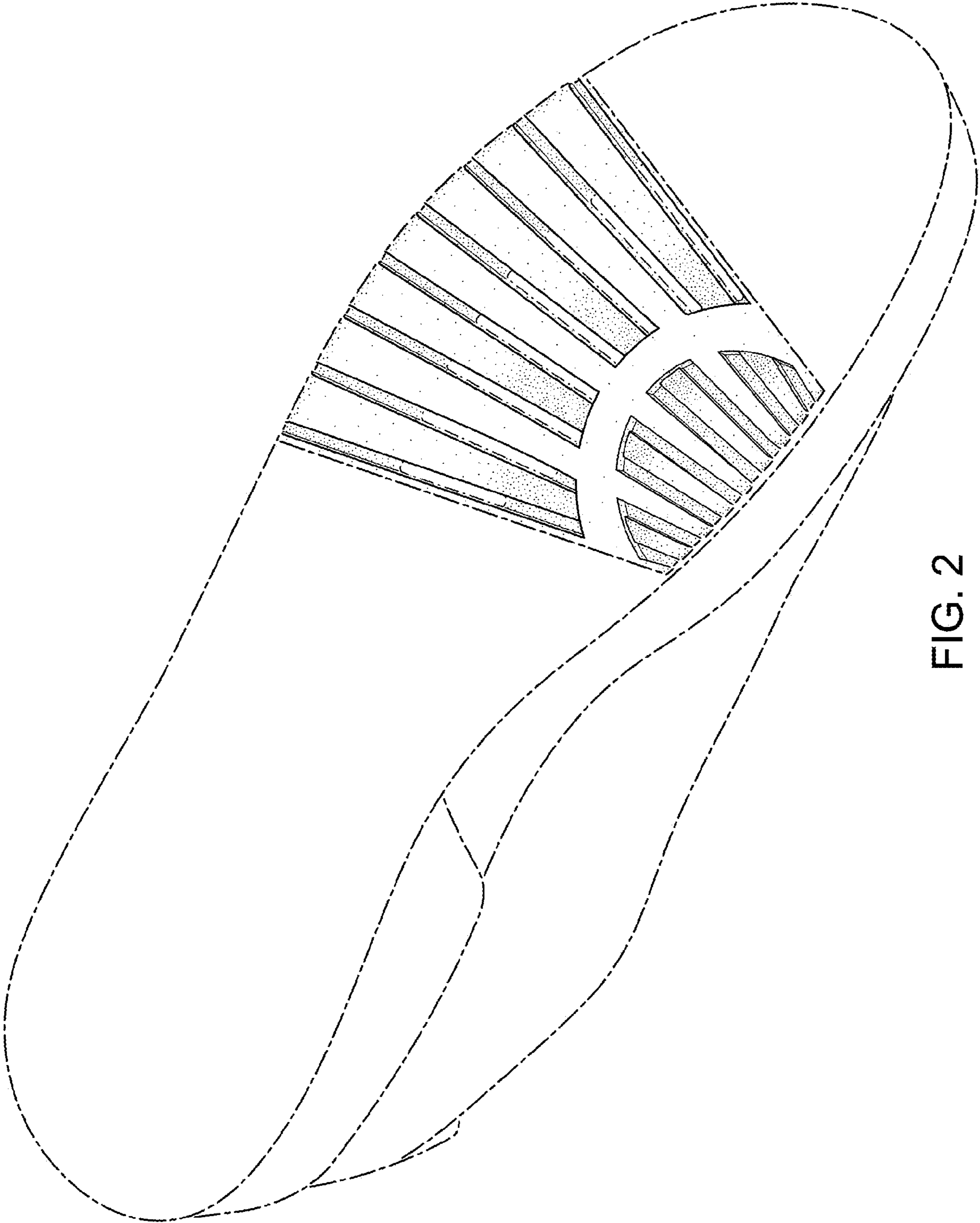


FIG. 2

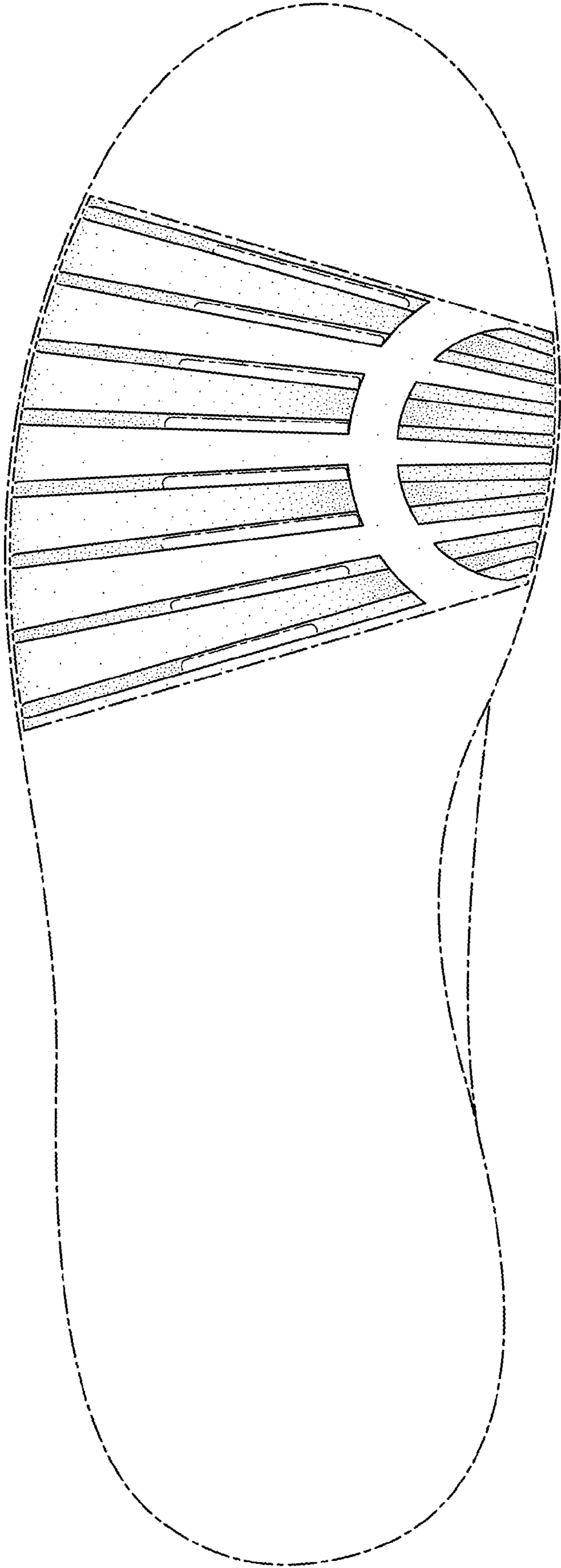


FIG. 3

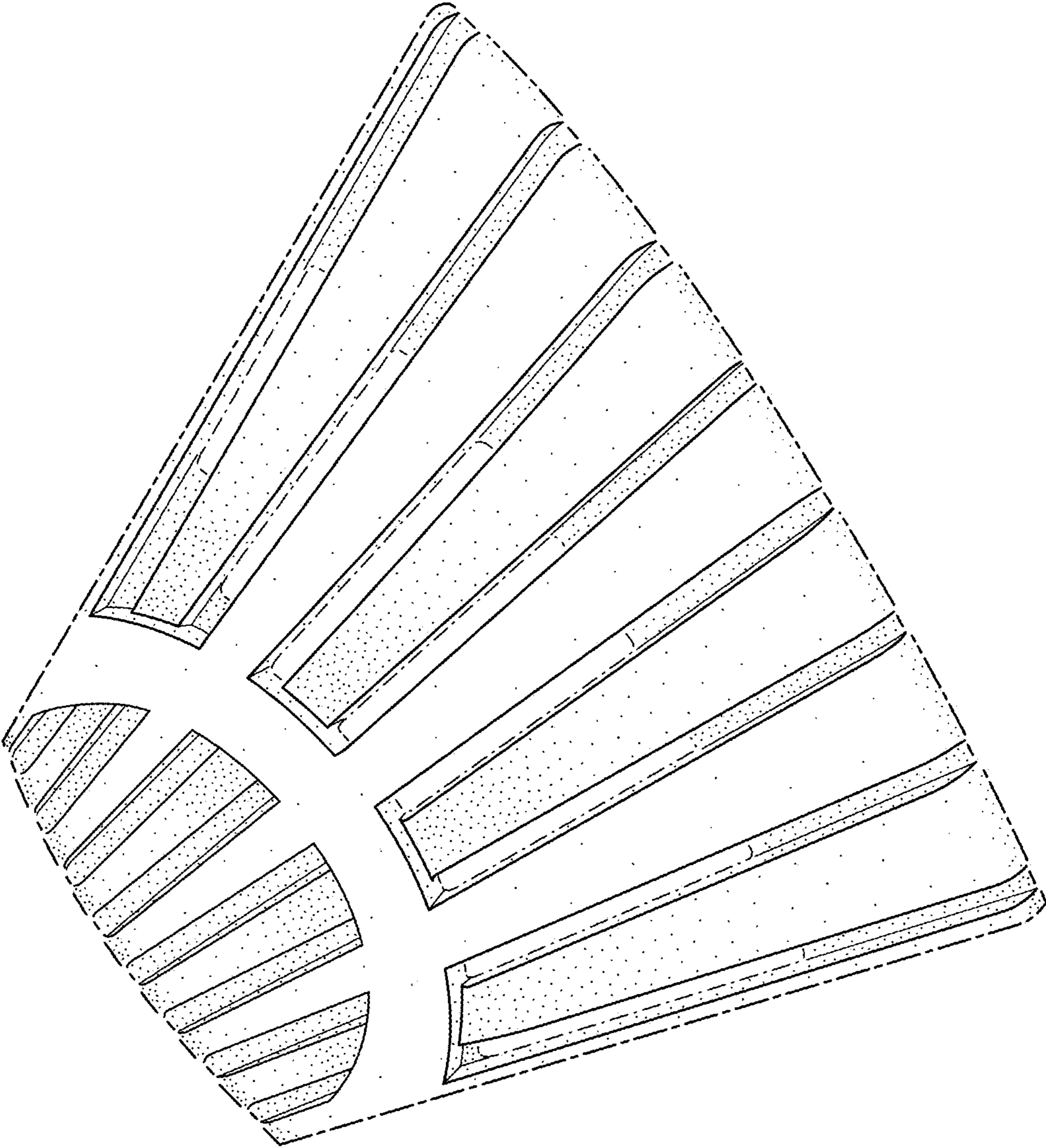


FIG. 4

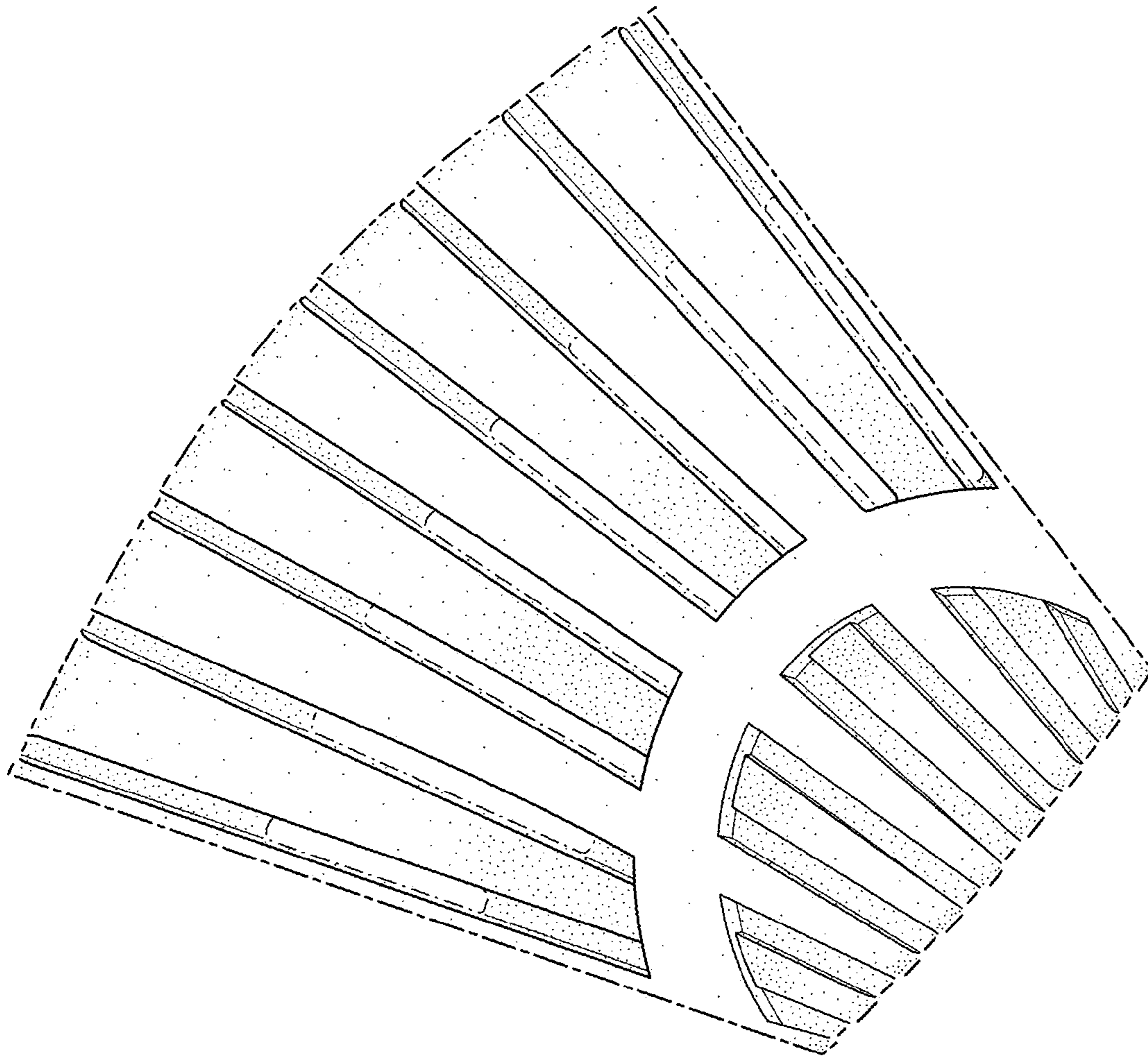


FIG. 5

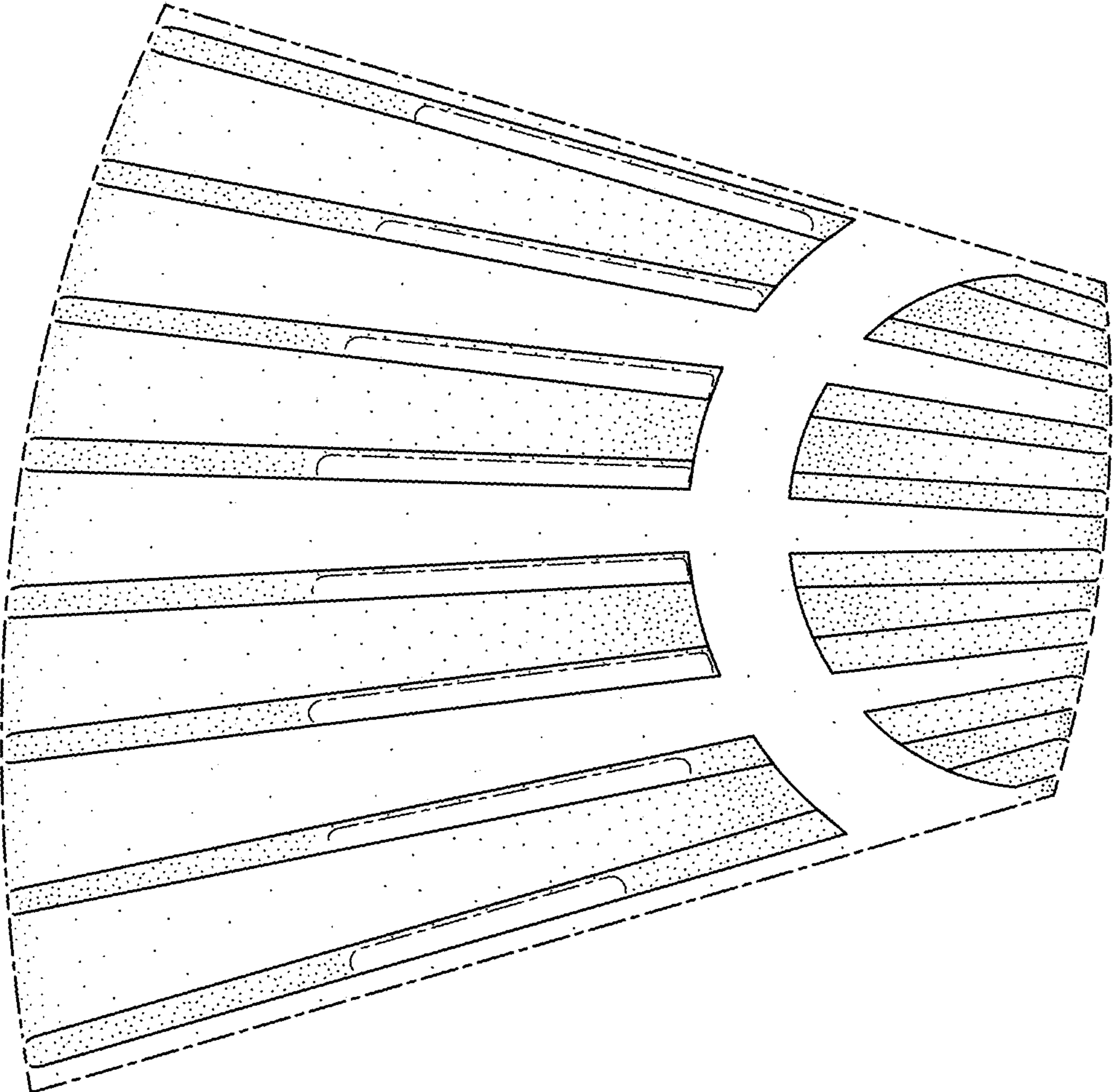


FIG. 6