



US00D885028S

(12) **United States Design Patent**
Yu

(10) **Patent No.:** **US D885,028 S**

(45) **Date of Patent:** **** May 26, 2020**

- (54) **SHOE SOLE**
- (71) Applicant: **Zhejiang Huanqiu Shoes Co., Ltd,**
Ruian (CN)
- (72) Inventor: **Zhongyin Yu,** Ruian (CN)
- (73) Assignee: **Zhejiang Huanqiu Shoes Co., Ltd,**
Ruian (CN)
- (**) Term: **15 Years**
- (21) Appl. No.: **29/656,265**
- (22) Filed: **Jul. 11, 2018**
- (51) **LOC (12) Cl.** **02-04**
- (52) **U.S. Cl.**
USPC **D2/959; D2/951; D2/957; D2/960**
- (58) **Field of Classification Search**
USPC D2/902, 906, 908, 916, 918, 925,
D2/946-962, 977; 36/3 B, 22 R, 24.5,
36/25 R, 28, 32 R, 34 R, 59 C, 67 A, 103
CPC A43B 13/00; A43B 13/02; A43B 13/023;
A43B 13/026; A43B 13/04; A43B 13/08;
A43B 13/10; A43B 13/12; A43B 13/14;
A43B 13/141; A43B 13/143; A43B
13/16; A43B 13/18; A43B 13/181; A43B
13/187; A43B 13/189; A43B 13/20; A43B
13/22; A43B 13/223; A43B 13/24; A43B
13/28; A43B 13/30; A43B 13/32; A43B
13/34; A43B 13/36
See application file for complete search history.

(56) **References Cited**

U.S. PATENT DOCUMENTS

- D16,757 S * 6/1886 Cowen D2/952
- 354,693 A * 12/1886 Dick A43B 17/006
36/3 B
- D51,643 S * 1/1918 Johnson D2/959
- D51,644 S * 1/1918 Johnson D2/959

- D68,393 S * 10/1925 Murray D2/949
- D88,865 S * 1/1933 Fowler D2/959
- D117,831 S * 11/1939 Johnson D2/959
- D119,266 S * 3/1940 Johnson D2/959
- D137,439 S * 3/1944 Incardona D2/949
- 2,580,840 A * 1/1952 Rogndal A43B 13/223
36/29
- 4,044,479 A * 8/1977 Brutting A43B 13/14
36/32 R
- 4,133,118 A * 1/1979 Khalsa A43B 7/14
36/29
- 4,316,335 A * 2/1982 Giese A43B 5/00
36/129
- D307,816 S * 5/1990 Schneider D2/959
- D307,817 S * 5/1990 Schneider D2/959
- D316,627 S * 5/1991 Schneider D2/959
- D322,153 S * 12/1991 Schneider D2/959
- 5,203,792 A * 4/1993 Kaiser A43B 9/00
12/142 C
- D370,993 S * 6/1996 Mangee D2/951
- D389,995 S * 2/1998 Cockrell D2/947
- D394,342 S * 5/1998 Schneider D2/959

(Continued)

Primary Examiner — T Chase Nelson

(74) *Attorney, Agent, or Firm* — Maier & Maier, PLLC

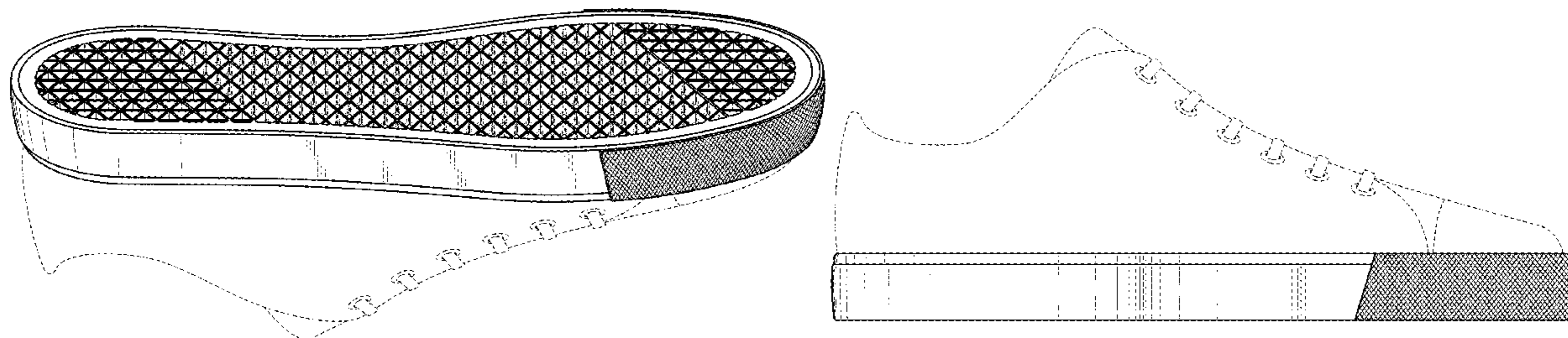
(57) **CLAIM**

The ornamental design for a shoe sole, as shown and described.

DESCRIPTION

FIG. 1 is a perspective view of a shoe sole;
 FIG. 2 is a right side view thereof;
 FIG. 3 is a left side view thereof;
 FIG. 4 is a front view thereof;
 FIG. 5 is a rear view thereof;
 FIG. 6 is a top view thereof; and,
 FIG. 7 is a bottom view thereof.
 The broken lines showing portions of a shoe form no part of the claimed design.

1 Claim, 7 Drawing Sheets



(56)

References Cited

U.S. PATENT DOCUMENTS

5,771,611 A * 6/1998 Chang A43B 1/0036
36/137
D402,451 S * 12/1998 Wunsch D2/959
D427,758 S * 7/2000 Schneider D2/951
D446,914 S * 8/2001 Cockrell D2/959
D446,915 S * 8/2001 Cockrell D2/959
D446,916 S * 8/2001 Cockrell D2/947
D488,295 S * 4/2004 Rosenberg D2/961
D488,916 S * 4/2004 McClaskie D2/957
D511,881 S * 11/2005 Cockrell D2/947
D529,694 S * 10/2006 Cockrell D2/959
D532,585 S * 11/2006 McDonald D2/959
D542,017 S * 5/2007 Cockrell D2/957
D554,839 S * 11/2007 Jensen D2/957
D555,339 S * 11/2007 Chang D2/957
D555,340 S * 11/2007 Chang D2/957
D566,941 S * 4/2008 Chang D2/957
D569,593 S * 5/2008 Avar D2/957
D575,941 S * 9/2008 Weber D2/907
D625,500 S * 10/2010 Dekovic D2/951
D634,923 S * 3/2011 Lacey D2/951
8,474,155 B2 * 7/2013 McDonald A43B 1/0063
36/102
D744,212 S * 12/2015 Boudreau D2/951
D779,174 S * 2/2017 de Montgolfier D2/947
D788,426 S * 6/2017 Hardman D2/951
D792,069 S * 7/2017 Rasmussen D2/951
D794,296 S * 8/2017 Lee D2/947
D796,805 S * 9/2017 Raysse D2/951
D799,803 S * 10/2017 Nethongkome A43B 7/085
D2/953
D802,899 S * 11/2017 Bischoff D2/957
D806,372 S * 1/2018 Boudreau D2/957

D811,708 S * 3/2018 Diard D2/959
D812,882 S * 3/2018 Jenkins D2/959
D813,502 S * 3/2018 Weidenbach Gerbase D2/902
D821,719 S * 7/2018 Sokol D2/959
D826,527 S * 8/2018 Petrie A43B 13/223
D2/959
D831,317 S * 10/2018 Jenkins D2/947
D832,563 S * 11/2018 Kuerbis D2/957
D836,892 S * 1/2019 Jenkins D2/947
D841,964 S * 3/2019 Kaiserswerth D2/957
D843,703 S * 3/2019 Hernandez D2/959
D845,610 S * 4/2019 Mayden D2/978
D848,131 S * 5/2019 Moranges D2/957
D857,362 S * 8/2019 Thompson D2/959
D860,614 S * 9/2019 Bishoff D2/959
D871,033 S * 12/2019 Nikolic D2/947
2009/0064540 A1 * 3/2009 Sokolowski A43B 3/126
36/114
2009/0293314 A1 * 12/2009 Dekovic A43B 13/141
36/103
2012/0233885 A1 * 9/2012 Shaffer A43B 13/20
36/103
2014/0109441 A1 * 4/2014 McDowell A43B 7/085
36/103
2014/0114457 A1 * 4/2014 McDowell G06T 17/00
700/98
2014/0144045 A1 * 5/2014 Padilla A43B 1/0072
36/28
2014/0202042 A1 * 7/2014 Berend A43B 13/141
36/25 R
2016/0242502 A1 * 8/2016 Spanks A43B 13/20
2018/0132565 A1 * 5/2018 Granger A43B 17/18
2018/0184758 A1 * 7/2018 Glancy A43B 13/22
2019/0365035 A1 * 12/2019 Jenkins A43B 13/187

* cited by examiner

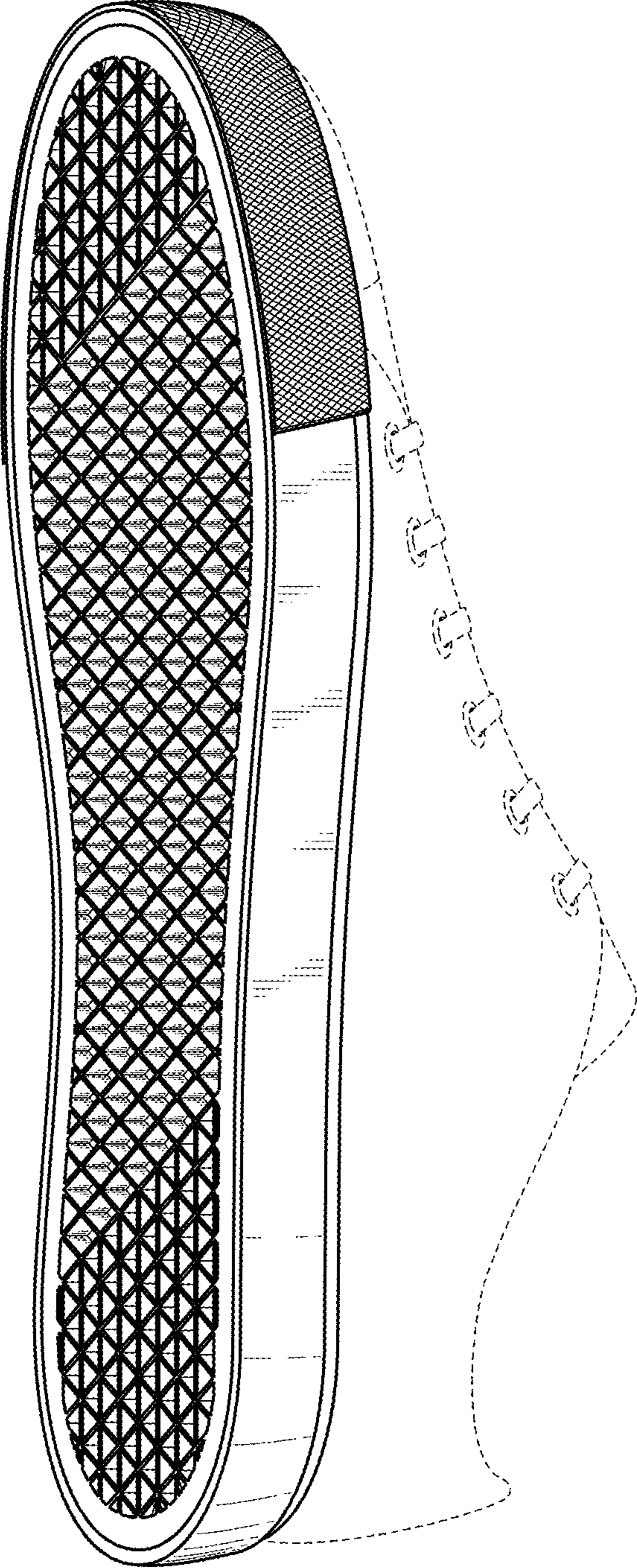


Fig. 1

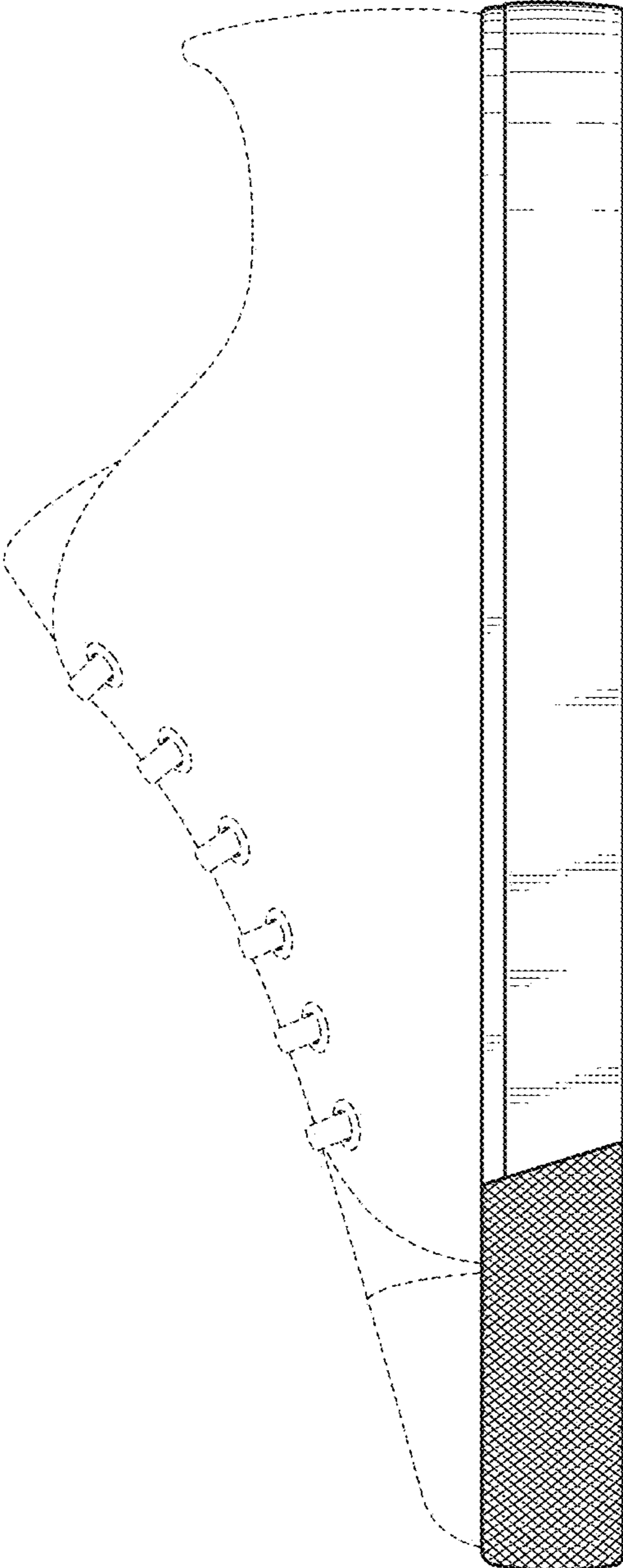


Fig. 2

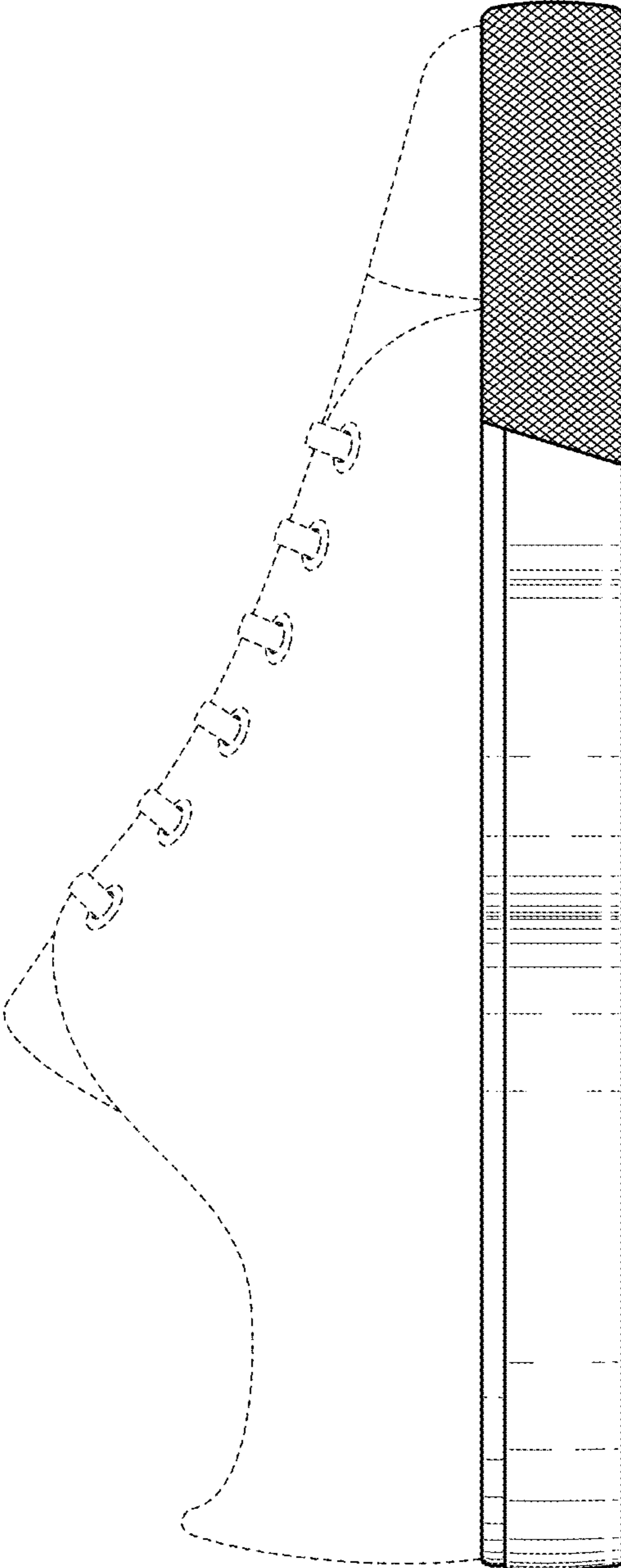


Fig. 3

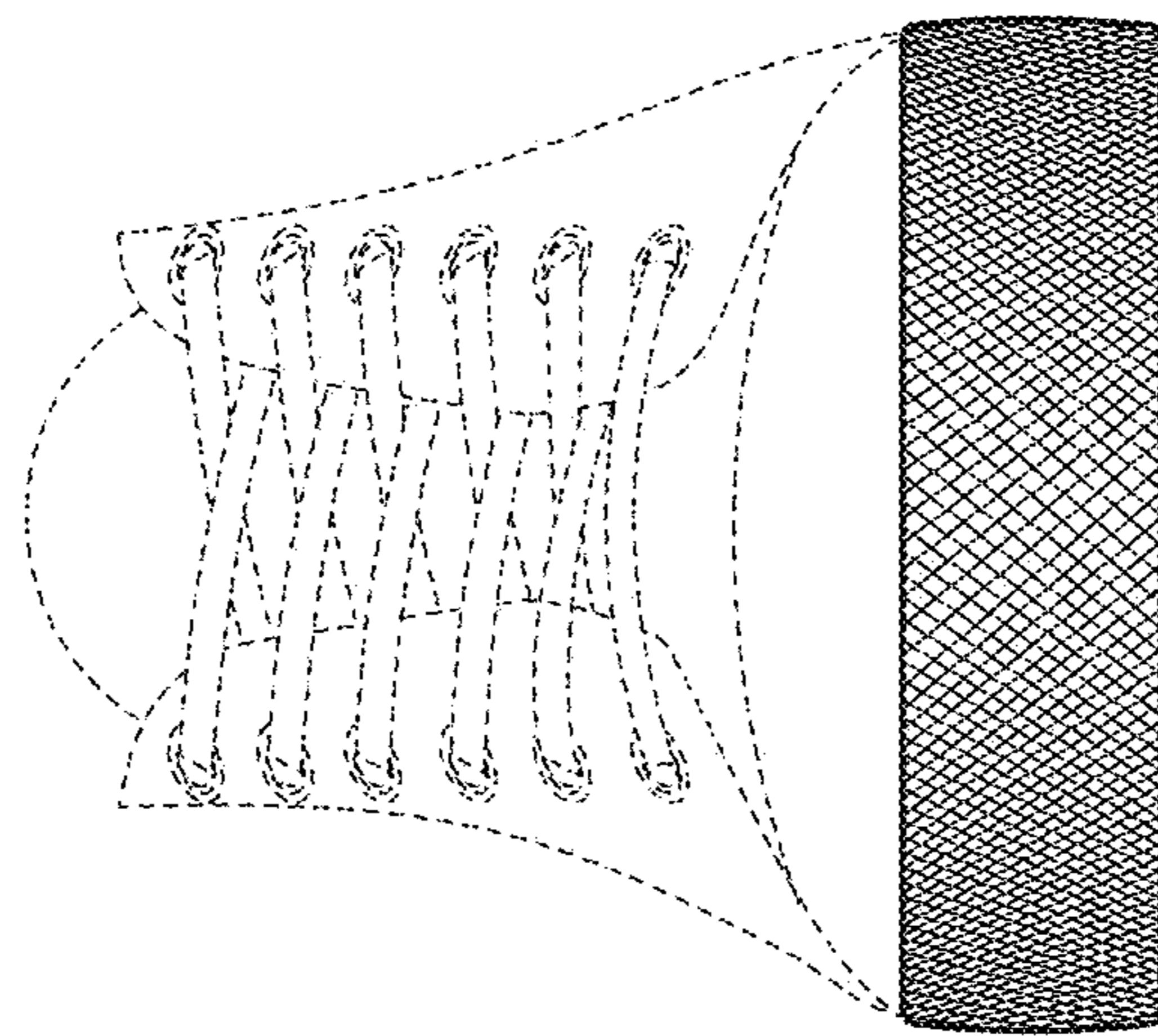


Fig. 4

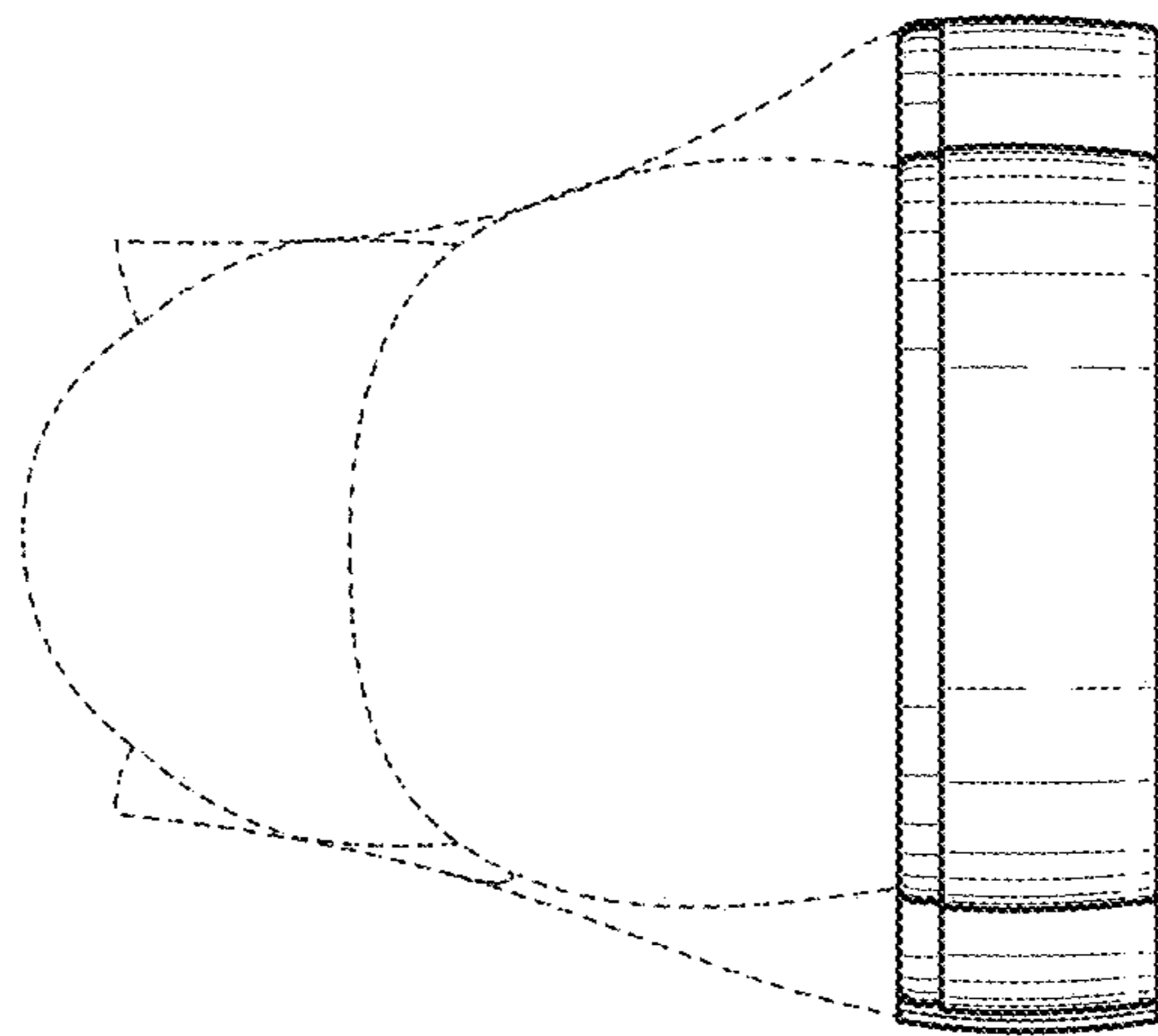


Fig. 5

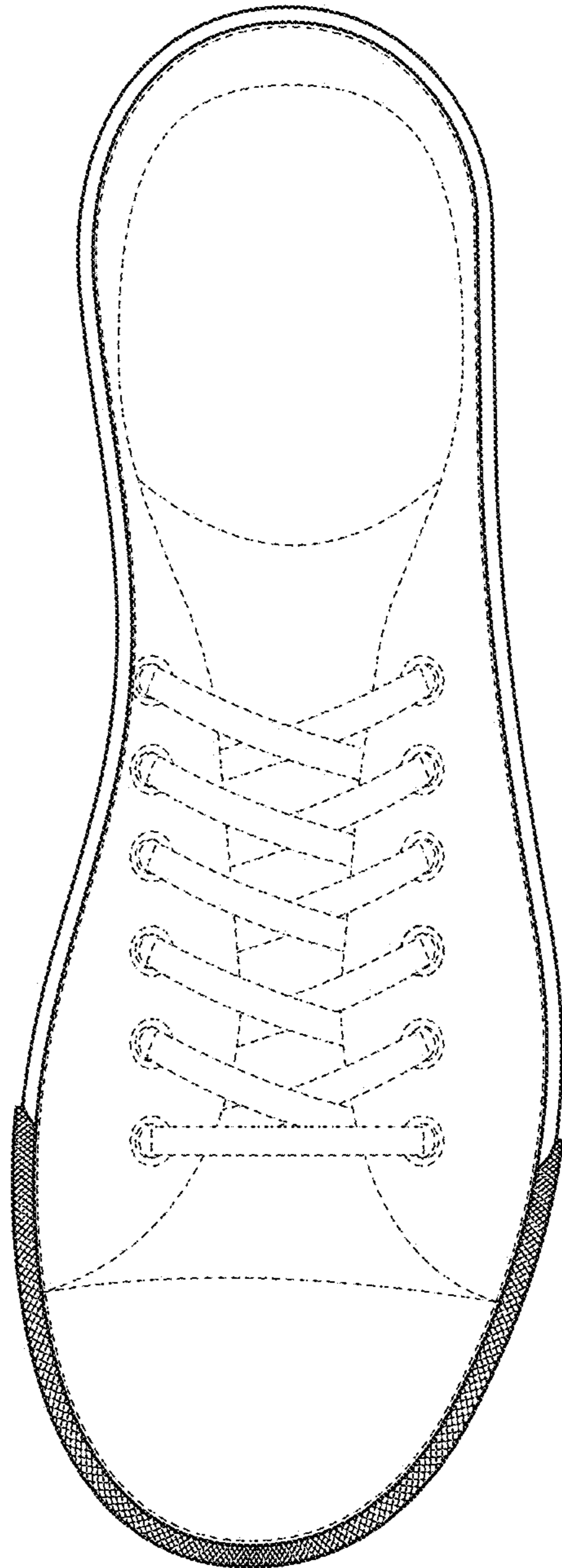


Fig. 6

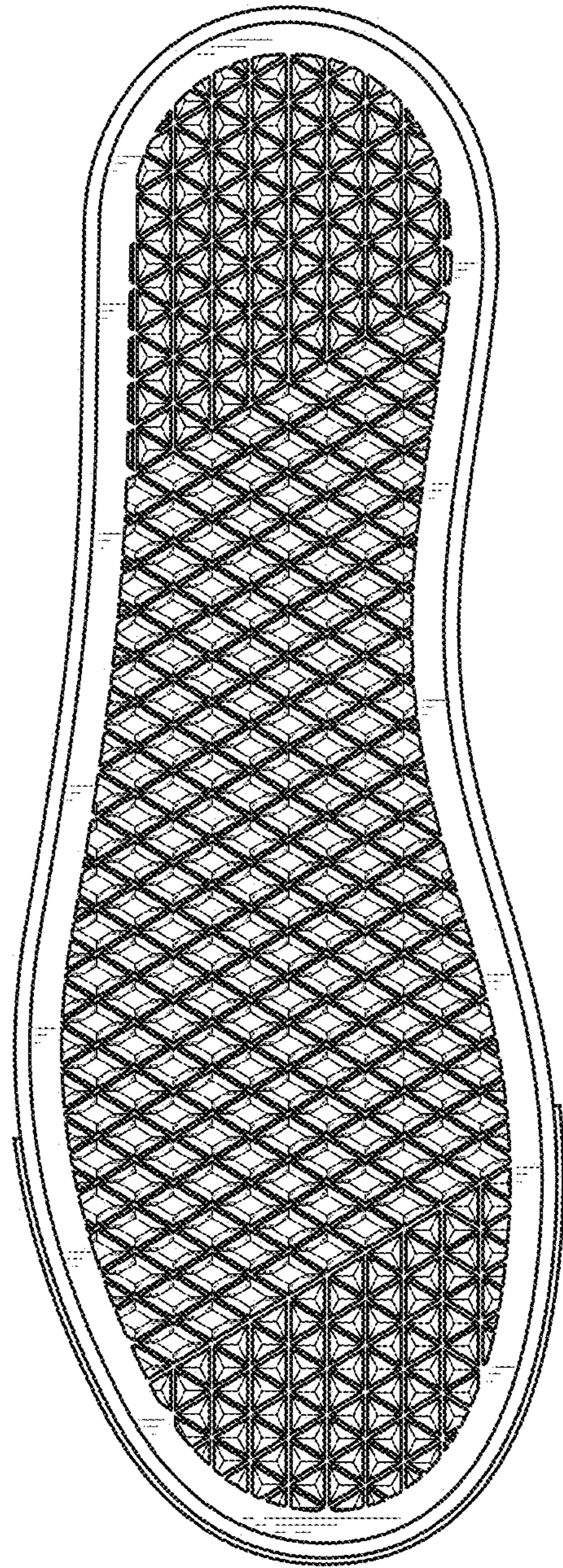


Fig. 7