



US00D885004S

(12) **United States Design Patent**
Ferrara

(10) **Patent No.:** **US D885,004 S**
(45) **Date of Patent:** **** May 19, 2020**

(54) **AUTOMATIC ROLL-TOP LID TRASH
RECEPTACLE**

D408,952 S * 4/1999 Page D34/24
D441,161 S * 4/2001 Shetterly D34/24
7,686,110 B1 * 3/2010 Agarwal B62B 1/14
280/47.26
8,282,113 B2 * 10/2012 Veal B62K 15/006
280/47.24
10,005,480 B2 * 6/2018 Grappe B62B 1/12

(71) Applicant: **Dennis Ferrara**, Brooklyn, NY (US)

(72) Inventor: **Dennis Ferrara**, Brooklyn, NY (US)

(**) Term: **15 Years**

* cited by examiner

(21) Appl. No.: **29/718,178**

Primary Examiner — Gino Colan

(22) Filed: **Dec. 20, 2019**

(51) **LOC (12) Cl.** **12-02**

(52) **U.S. Cl.**

USPC **D34/25**

(58) **Field of Classification Search**

USPC D34/1, 5, 7, 11, 12-14, 17-27; 280/651,
280/47.26, 47.19, 47.35, 652, 33.996,
280/47.315, 40, 47.17, 47.24, 47.29,
280/47.34

CPC B62B 1/12; B62B 1/20; B62B 5/0438;
B62B 1/04; B62B 1/042; B62B 1/208

See application file for complete search history.

(57) **CLAIM**

The ornamental design for an automatic roll-top lid trash receptacle, as shown and described.

DESCRIPTION

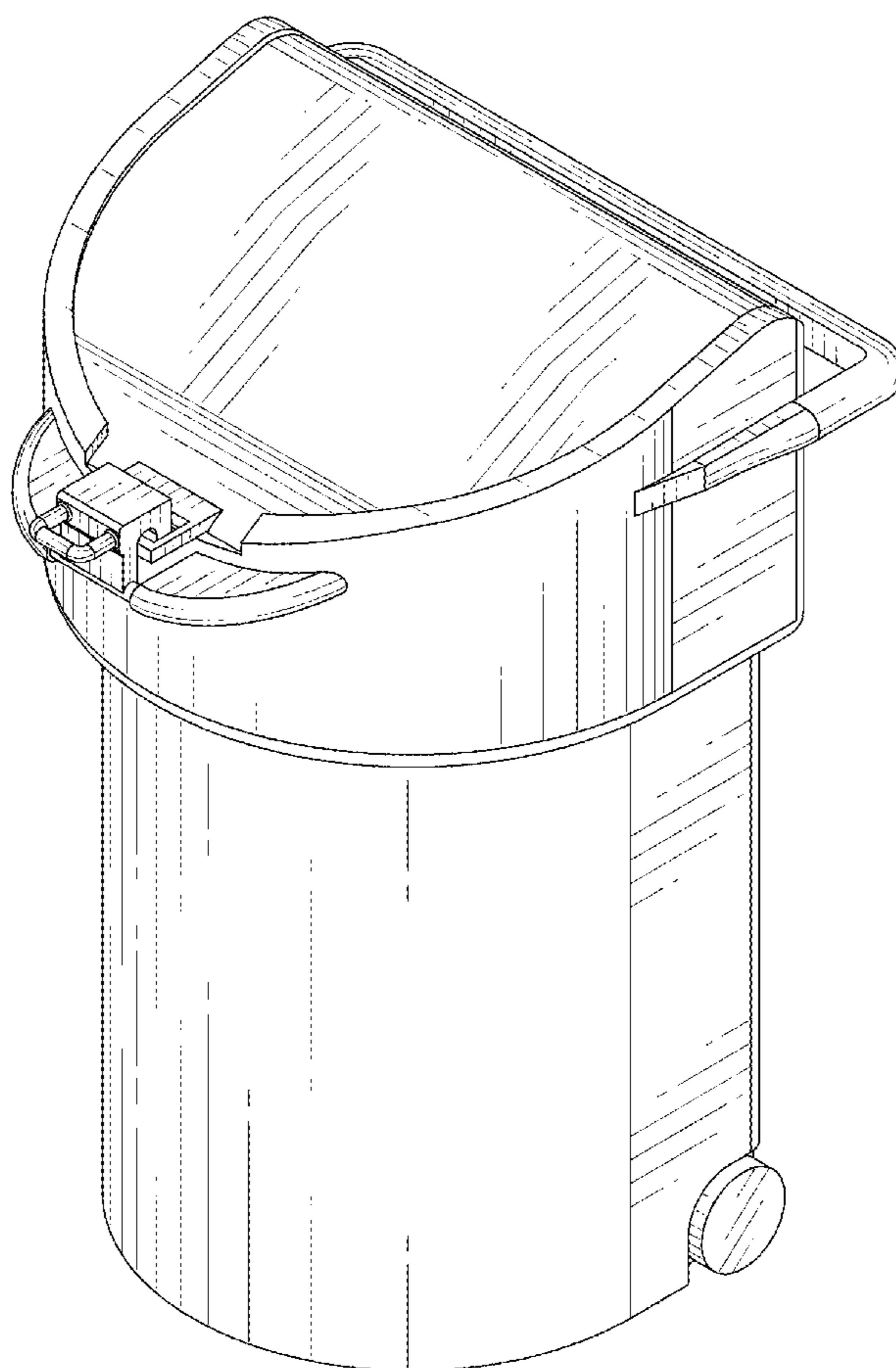
FIG. 1 is a top-front-right perspective view of an automatic roll-top lid trash receptacle showing my new design; FIG. 2 is a top-rear-left perspective view thereof; FIG. 3 is a front view thereof; FIG. 4 is a rear view thereof; FIG. 5 is a right-side view thereof, the left-side elevational view being a mirror image thereof; FIG. 6 is a top view thereof; and, FIG. 7 is a bottom view thereof.

(56) **References Cited**

U.S. PATENT DOCUMENTS

D371,663 S * 7/1996 Muller-Deisig D34/24
D401,727 S * 11/1998 Weideman D34/25

1 Claim, 7 Drawing Sheets



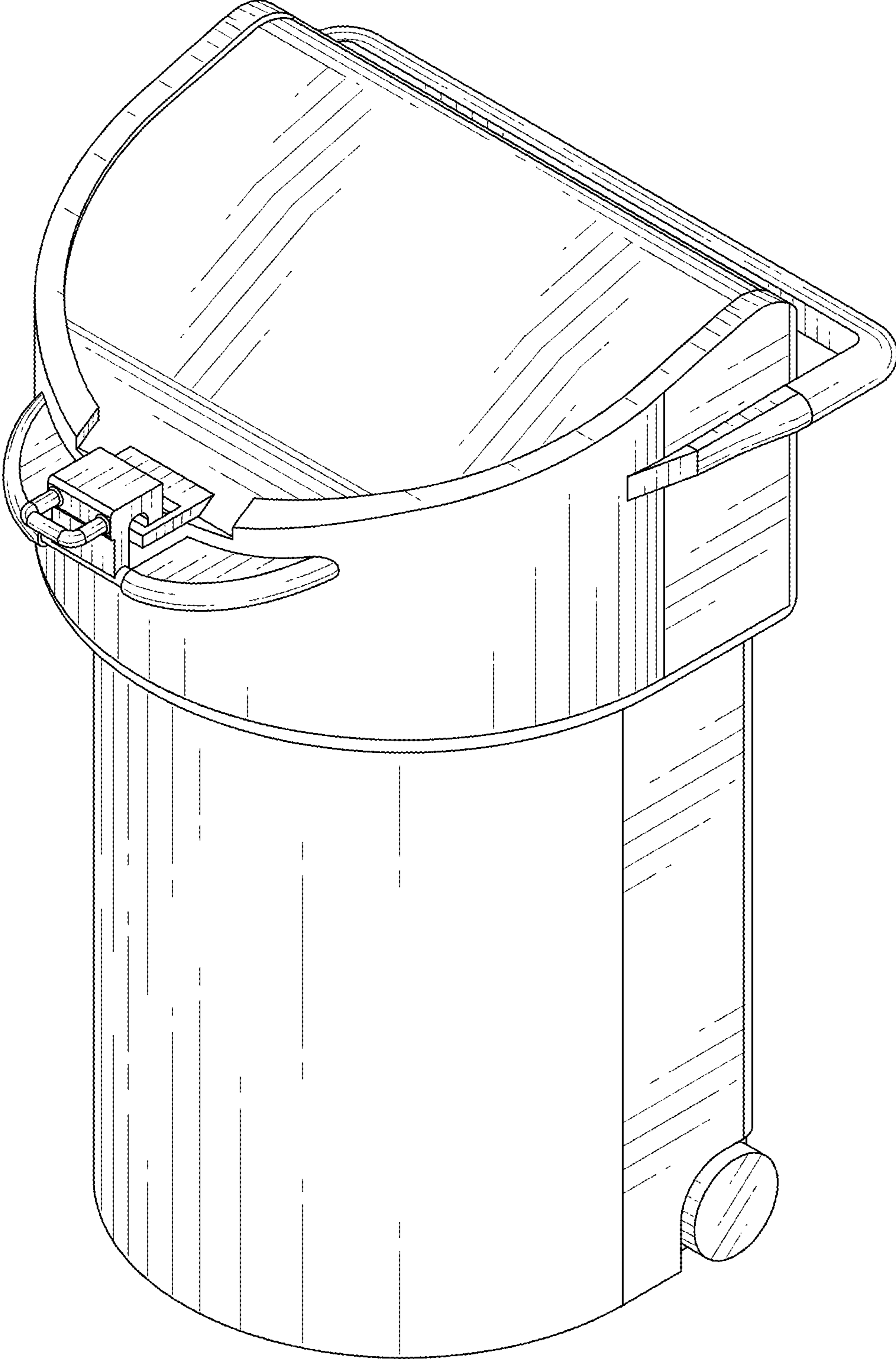


FIG. 1

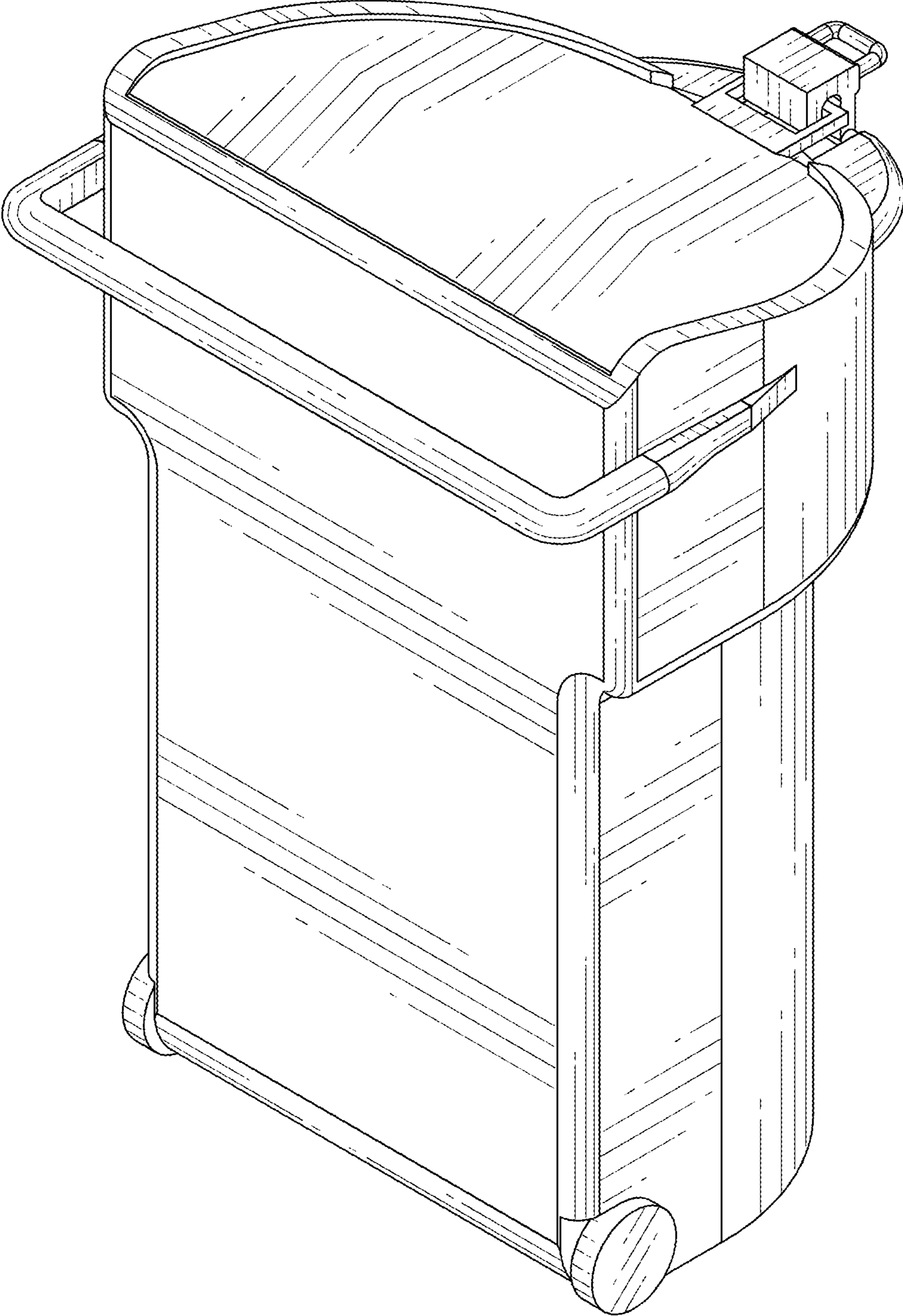


FIG. 2

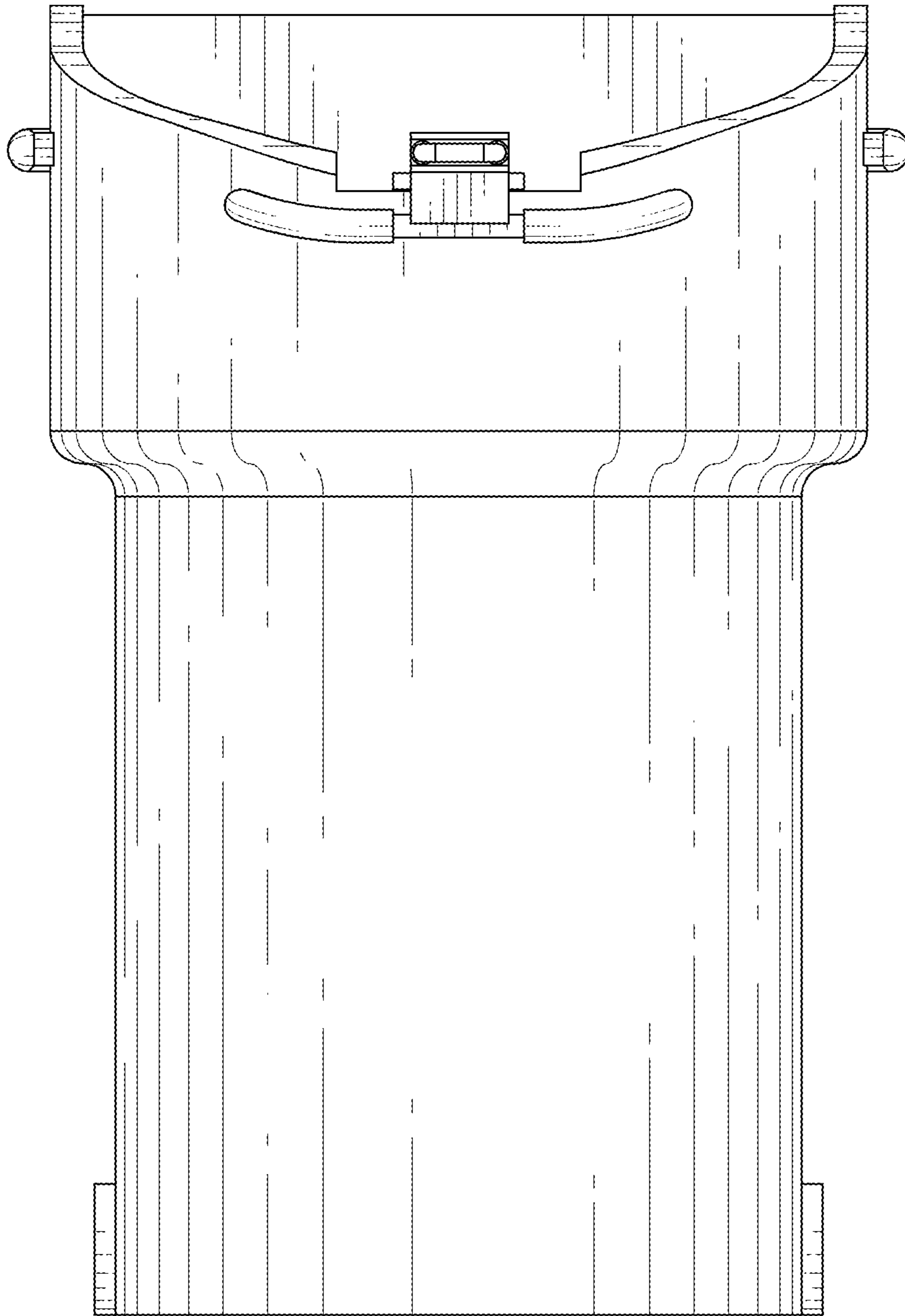


FIG. 3

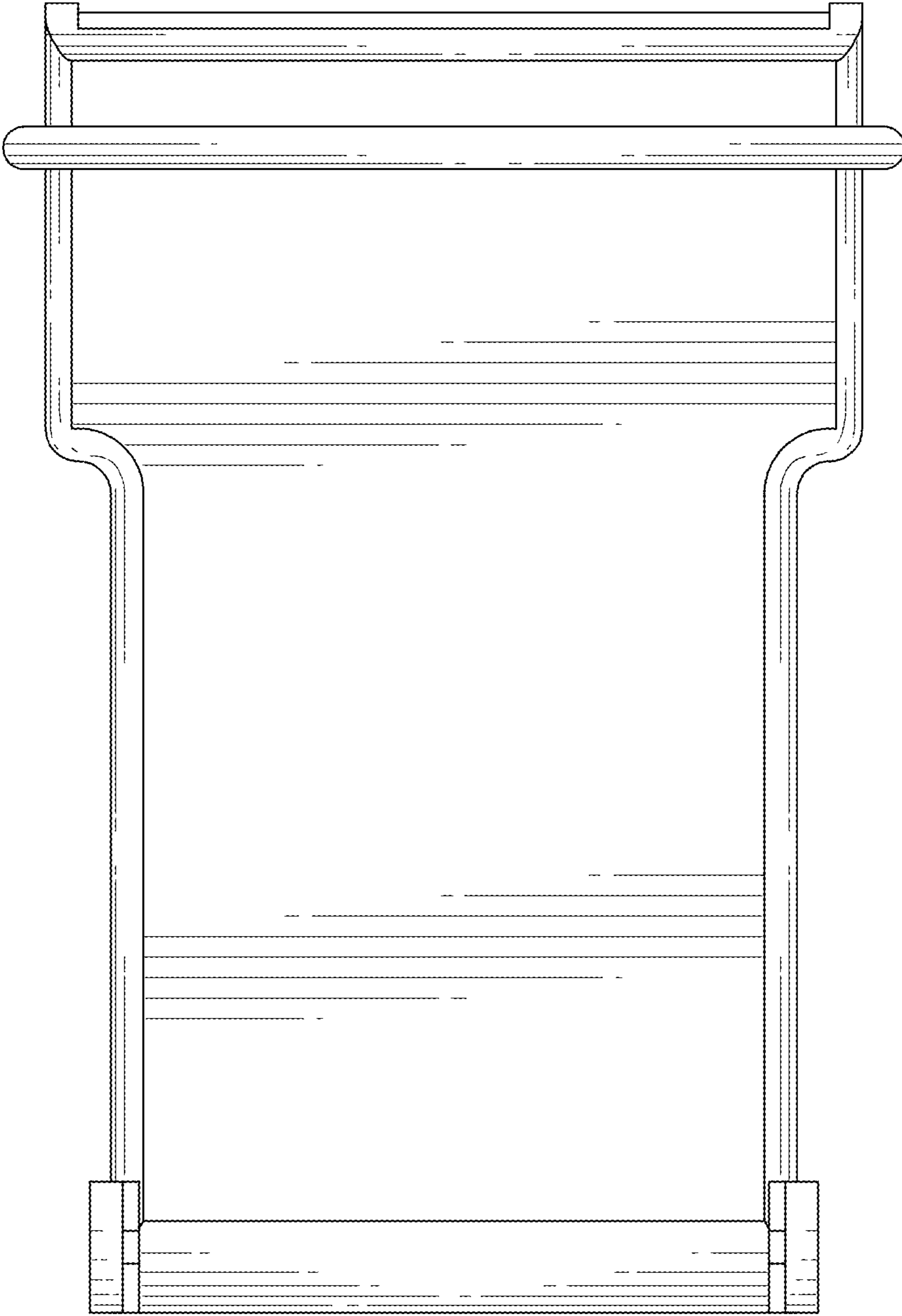


FIG. 4

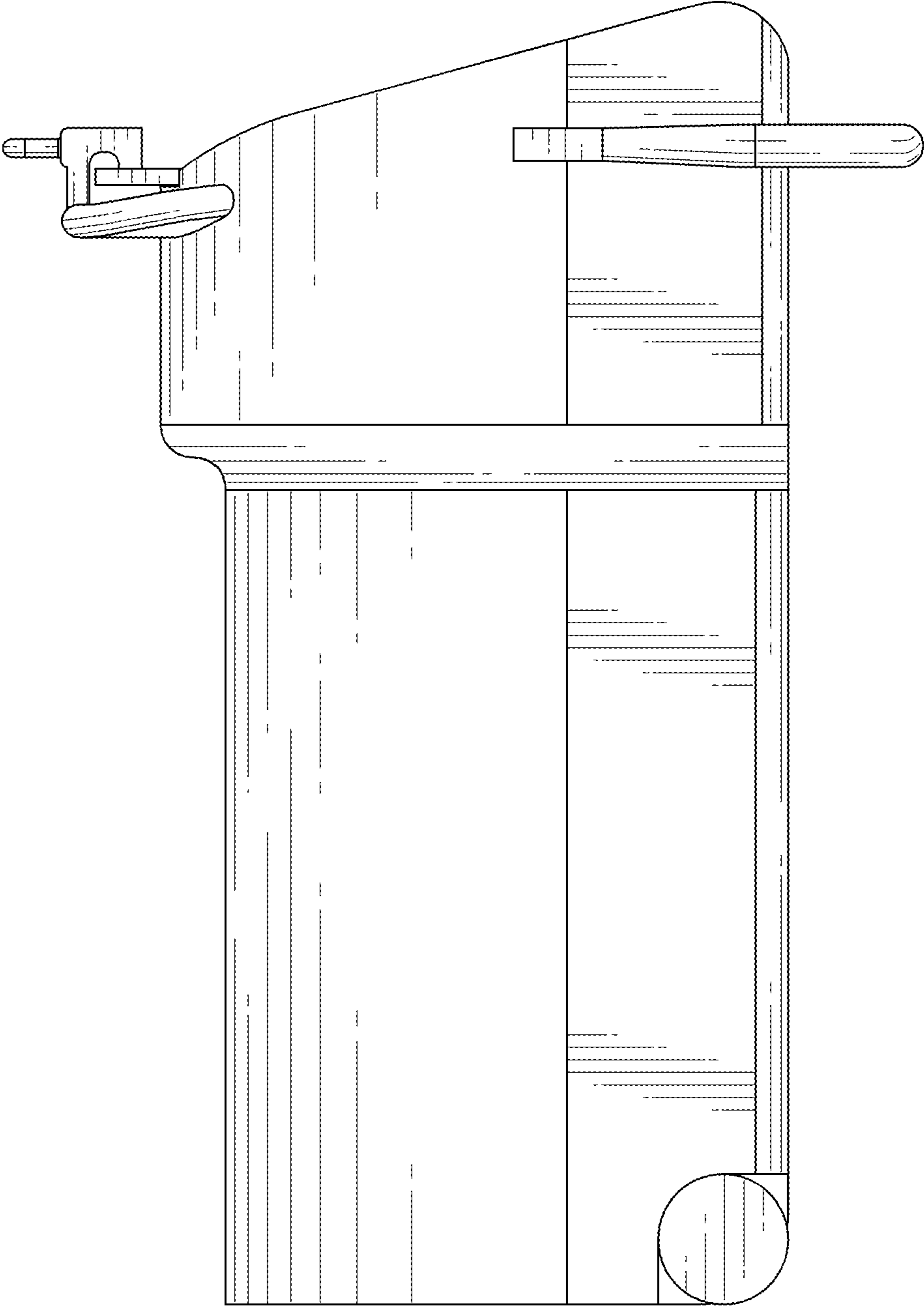


FIG. 5

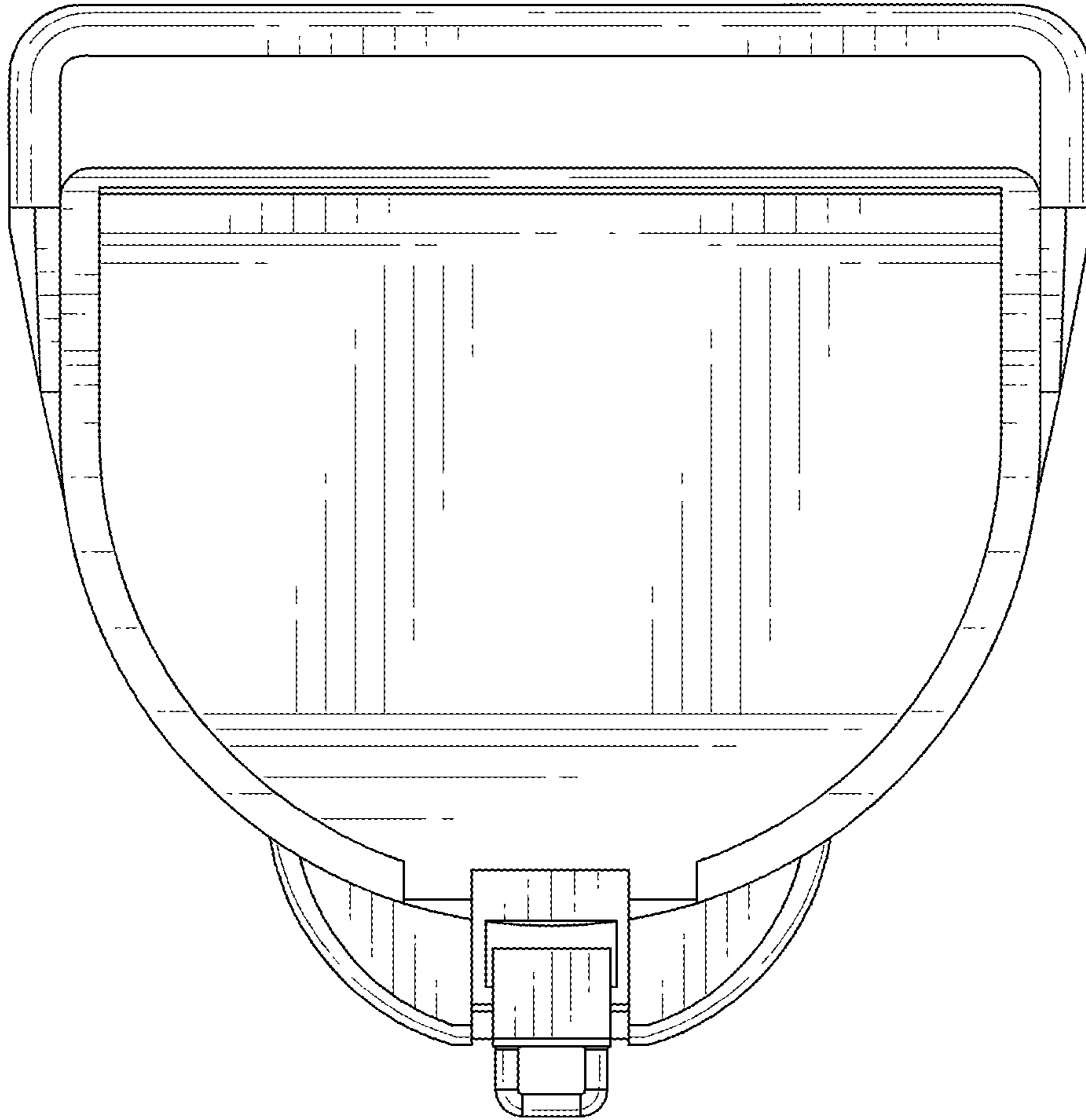


FIG. 6

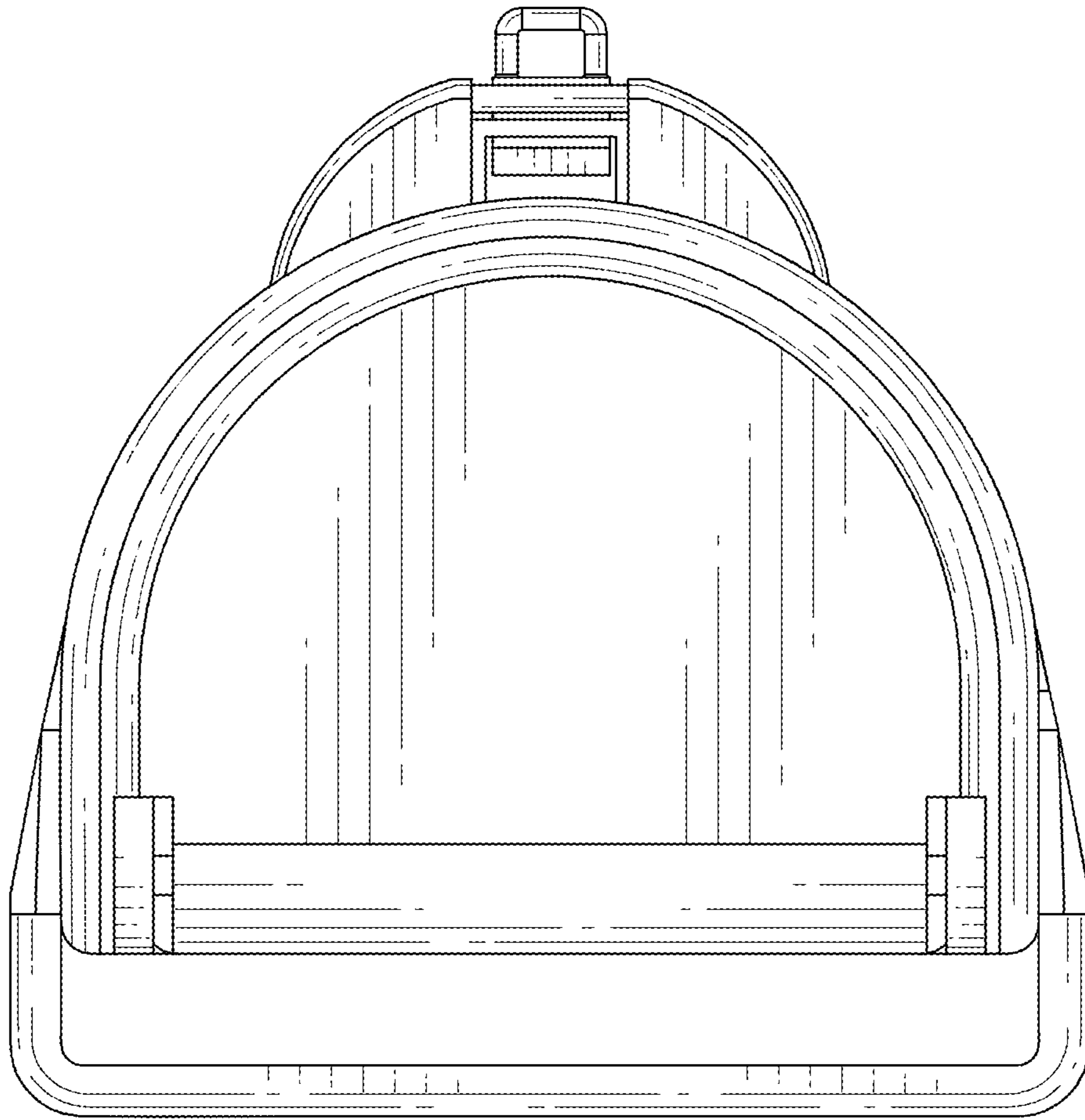


FIG. 7