



US00D884997S

(12) **United States Design Patent**  
**Kim et al.**

(10) **Patent No.:** **US D884,997 S**

(45) **Date of Patent:** **\*\* May 19, 2020**

(54) **WASHING MACHINE**

(71) Applicant: **Samsung Electronics Co., Ltd.**,  
Suwon-si (KR)

(72) Inventors: **Jinnam Kim**, Seoul (KR); **Sujin Oh**,  
Seoul (KR); **Hayoung Jang**, Seoul  
(KR); **Jungah Choi**, Seoul (KR)

(73) Assignee: **Samsung Electronics Co., Ltd.**,  
Suwon-si (KR)

(\*\*) Term: **15 Years**

(21) Appl. No.: **29/649,446**

(22) Filed: **May 30, 2018**

(30) **Foreign Application Priority Data**

Mar. 6, 2018 (KR) ..... 30-2018-0010877

(51) **LOC (12) Cl.** ..... **15-05**

(52) **U.S. Cl.**  
USPC ..... **D32/6**

(58) **Field of Classification Search**  
USPC ..... D32/1, 2, 5, 6, 8, 10, 28, 29, 29.1  
CPC ..... D06F 21/00; D06F 21/06; D06F 21/08;  
D06F 27/00; D06F 37/00; D06F 37/02;  
D06F 37/06; D06F 37/12; D06F 37/14;  
D06F 39/00; D06F 21/12; D06F 21/14;  
D06F 23/04; D06F 25/00

See application file for complete search history.

(56) **References Cited**

**U.S. PATENT DOCUMENTS**

D489,496 S \* 5/2004 Sneddon ..... D32/6  
D492,073 S \* 6/2004 Sneddon ..... D32/6  
D729,994 S \* 5/2015 Kang ..... D32/6  
D730,594 S \* 5/2015 Kang ..... D32/6  
D730,595 S \* 5/2015 Jeong ..... D32/6

D759,325 S \* 6/2016 Jeon ..... D32/6  
D760,454 S \* 6/2016 Joo ..... D32/6  
D762,025 S \* 7/2016 Joo ..... D32/6  
D772,505 S 11/2016 Bixby et al.  
D775,441 S 12/2016 Joo et al.  
D783,213 S \* 4/2017 Jeon ..... D32/6  
D783,214 S \* 4/2017 Jeon ..... D32/6  
D788,385 S \* 5/2017 Jeon ..... D32/6  
D798,511 S \* 9/2017 Bixby ..... D32/6  
D818,219 S \* 5/2018 Bixby ..... D32/6  
D824,607 S \* 7/2018 Bixby ..... D32/6  
D824,608 S \* 7/2018 Bixby ..... D32/6  
D833,091 S \* 11/2018 Ayers ..... D32/6  
D847,444 S \* 4/2019 Ayers ..... D32/6

**FOREIGN PATENT DOCUMENTS**

KR 30-2009-0038926 8/2010  
KR 30-2014-0038121 3/2015  
KR 30-2015-0035663 1/2016

\* cited by examiner

*Primary Examiner* — Michelle E. Wilson

(74) *Attorney, Agent, or Firm* — NSIP Law

(57) **CLAIM**

We claim the ornamental design for a washing machine, as shown and described.

**DESCRIPTION**

FIG. 1 is a front perspective view of a washing machine showing our new design;

FIG. 2 is a front view thereof;

FIG. 3 is a rear view thereof;

FIG. 4 is a left-side view thereof;

FIG. 5 is a right-side view thereof;

FIG. 6 is a top view thereof; and,

FIG. 7 is a bottom view thereof.

The broken lines in the figures depict portions of the washing machine that form no part of the claimed design.

**1 Claim, 7 Drawing Sheets**

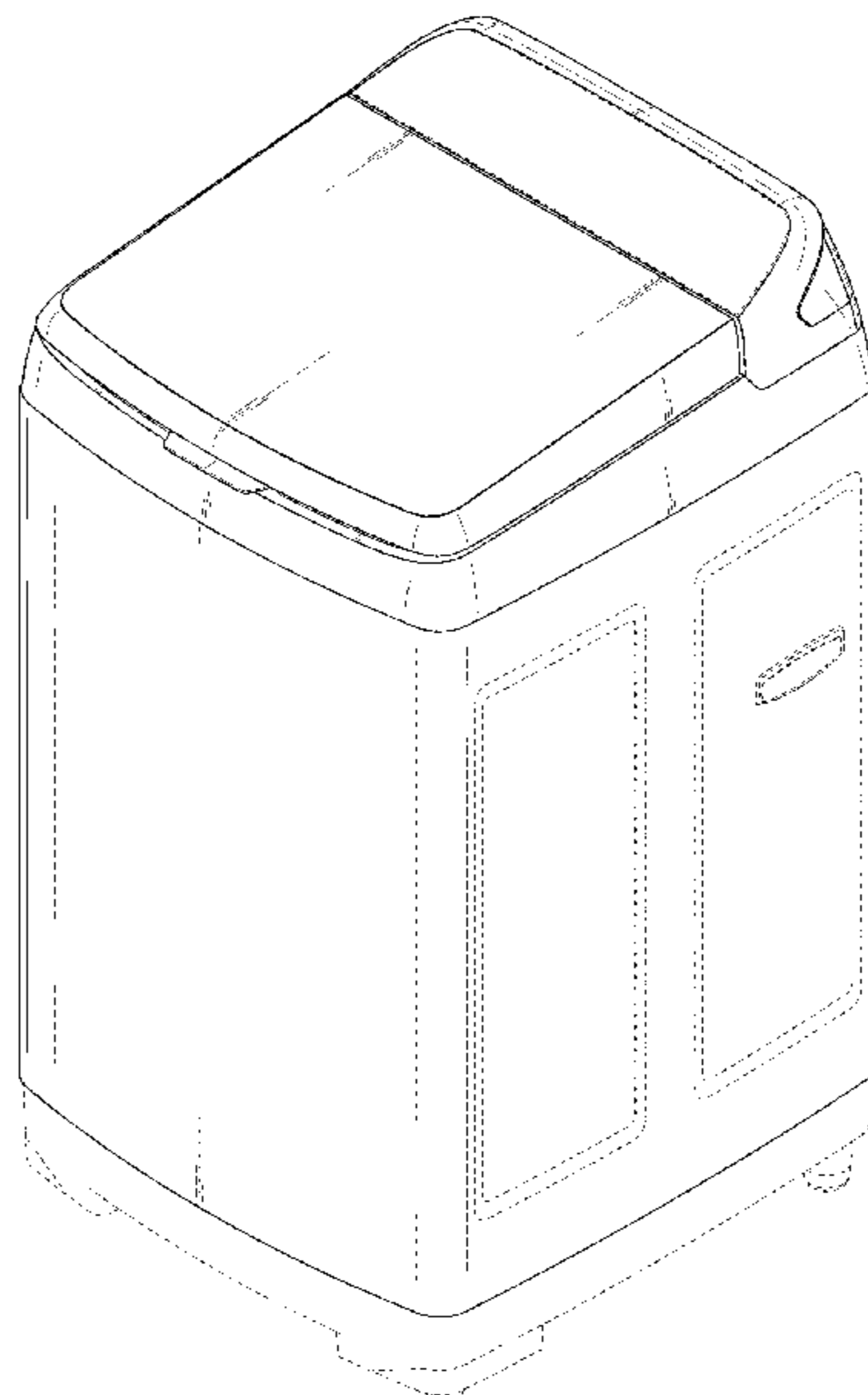


FIG. 1

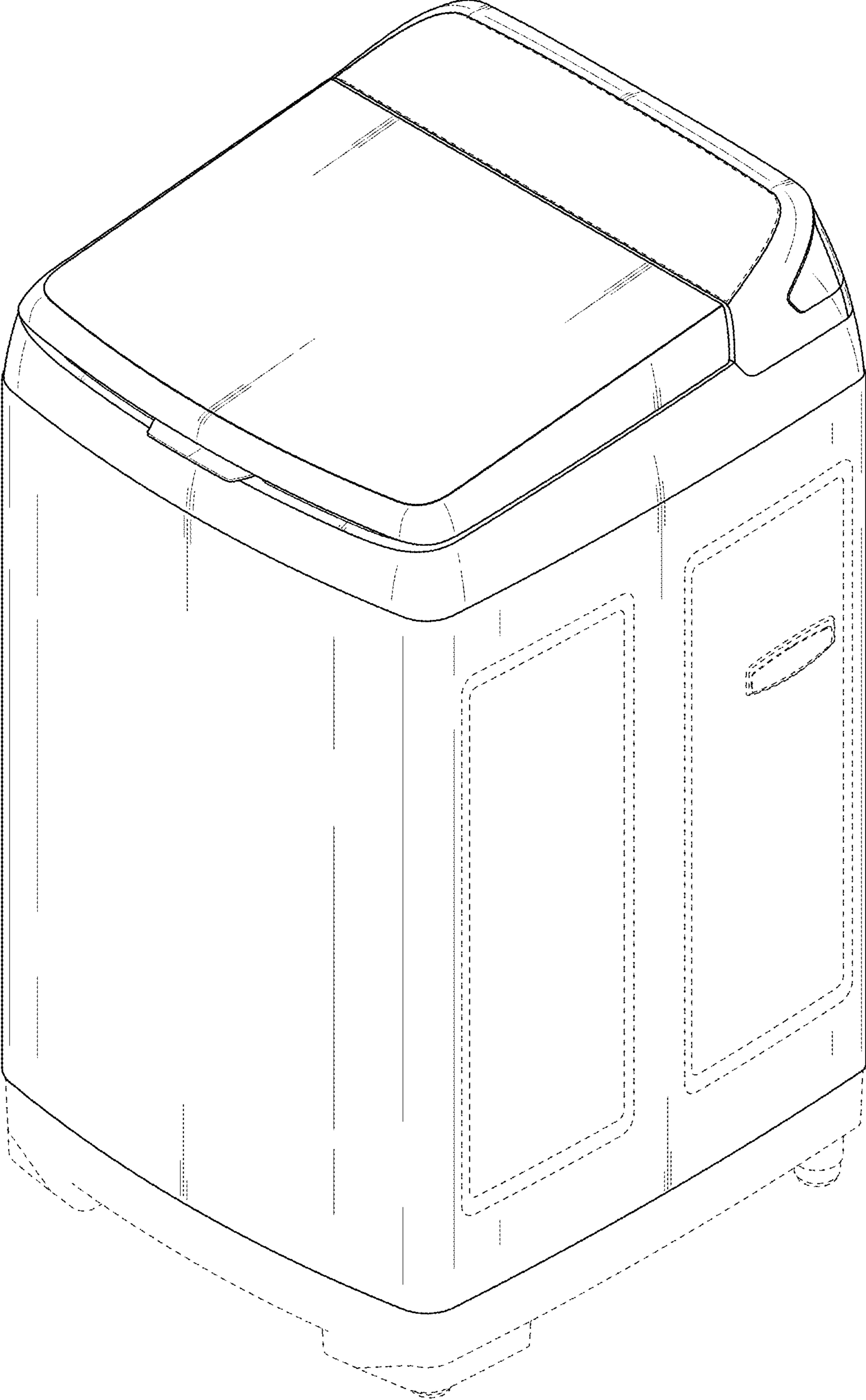


FIG. 2

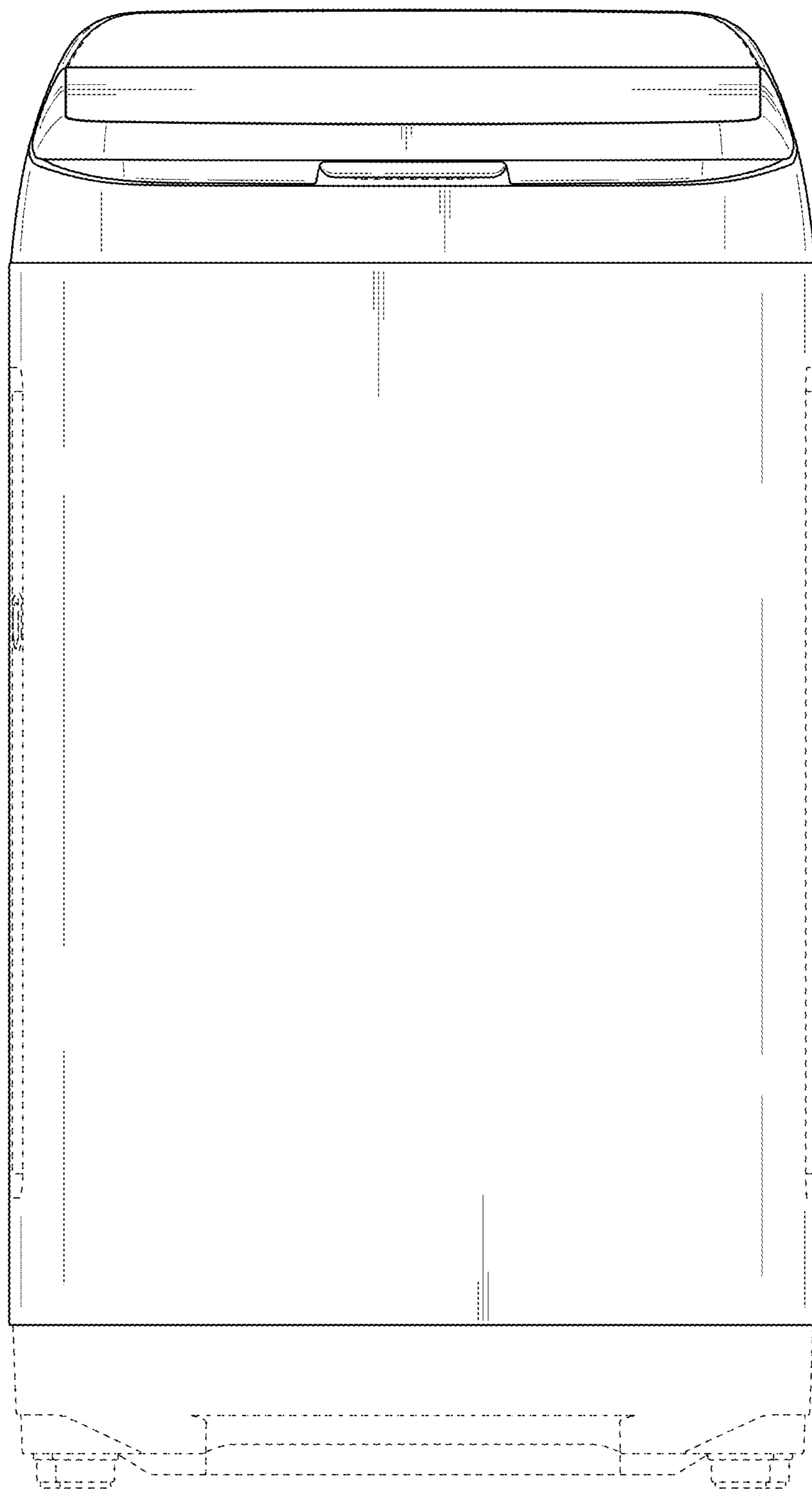


FIG. 3

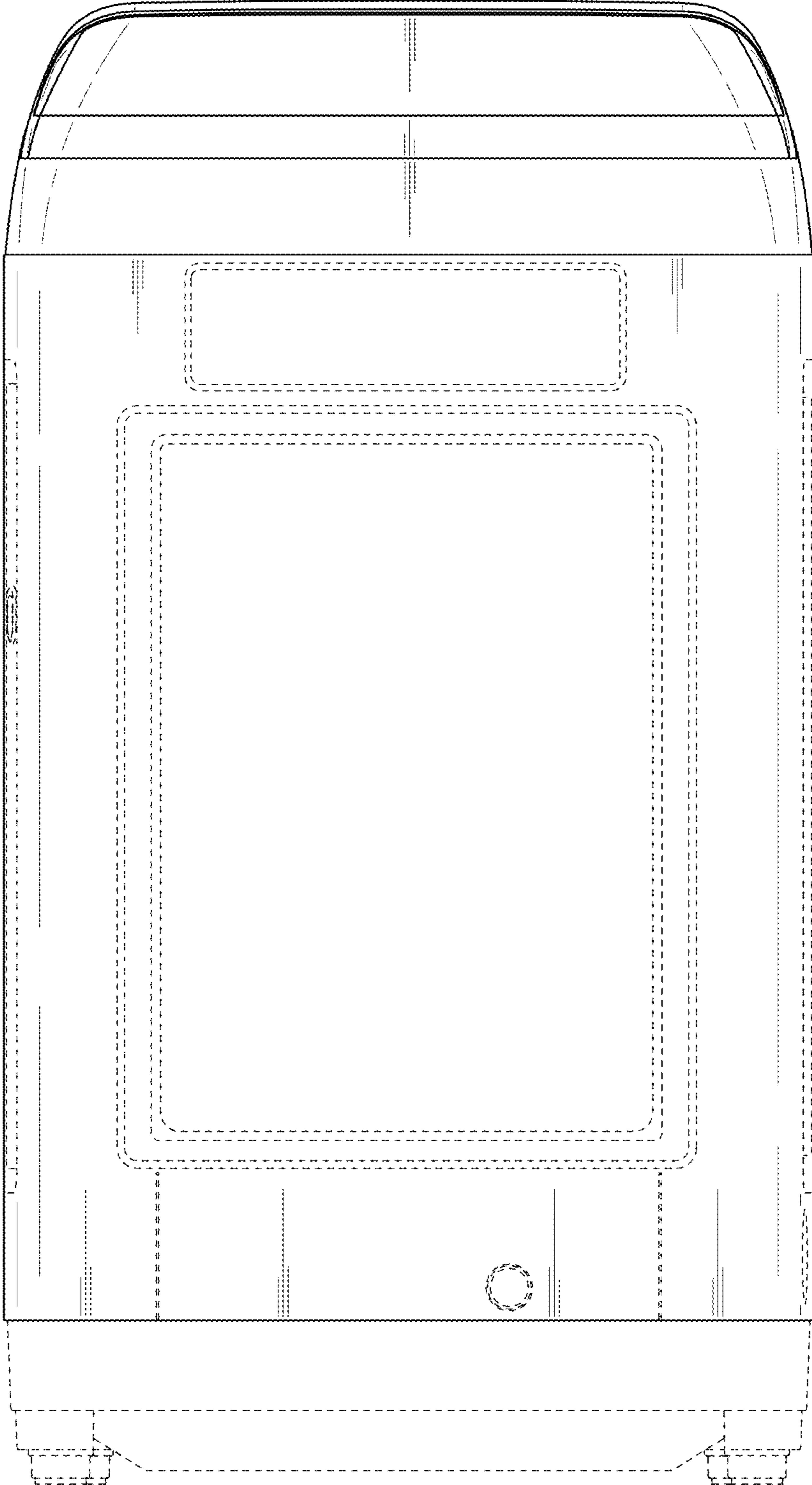


FIG. 4

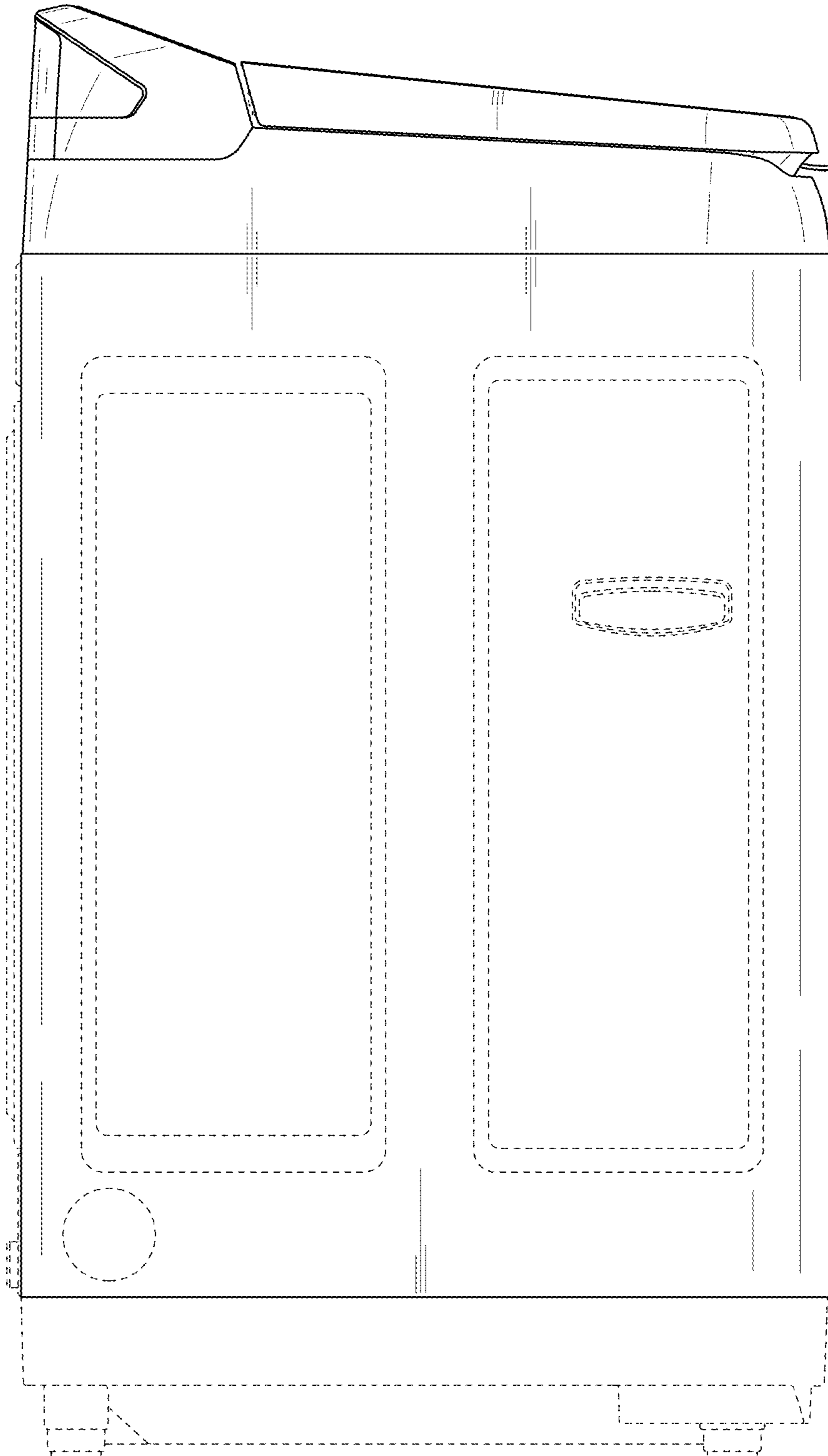


FIG. 5

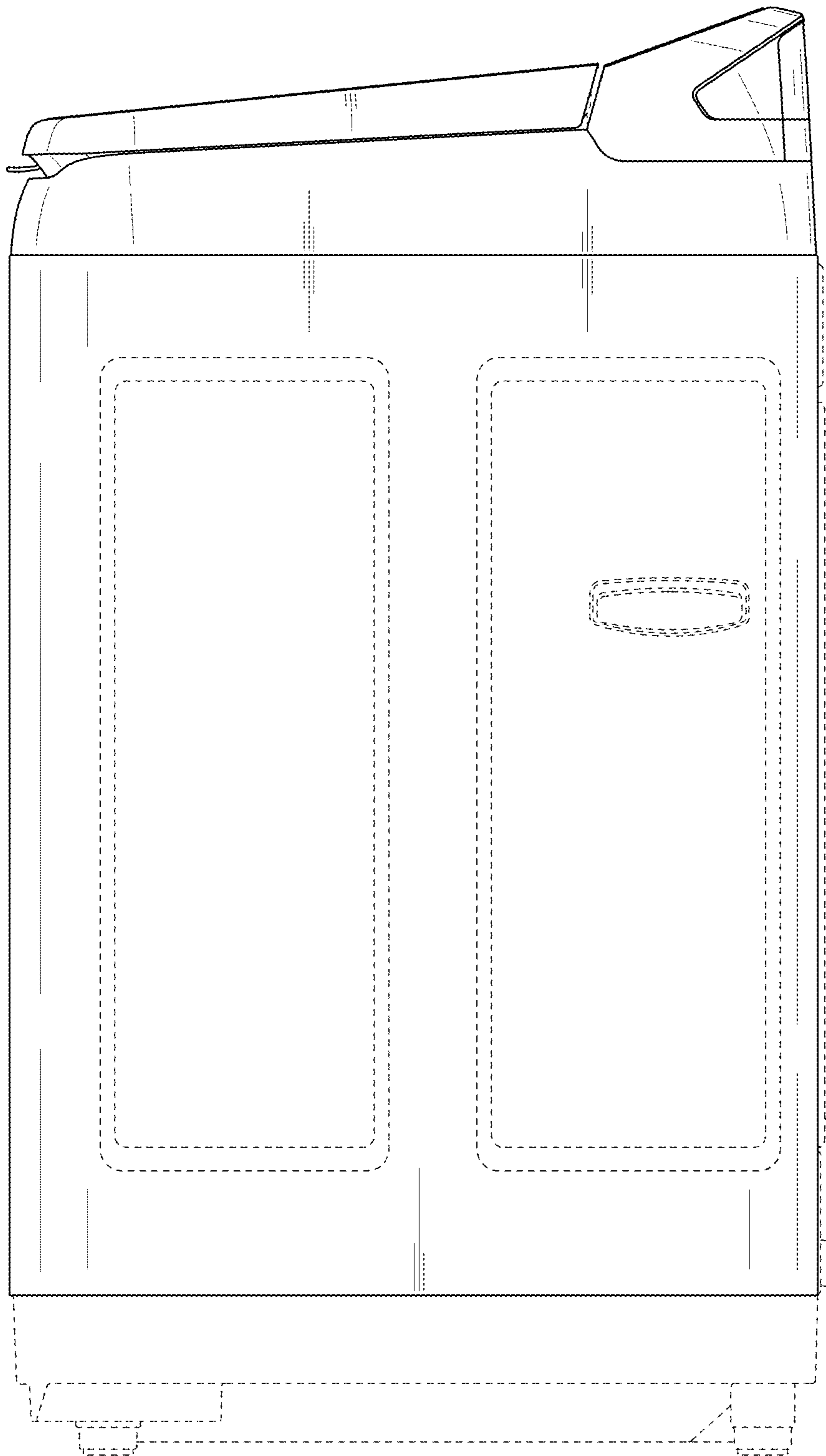


FIG. 6

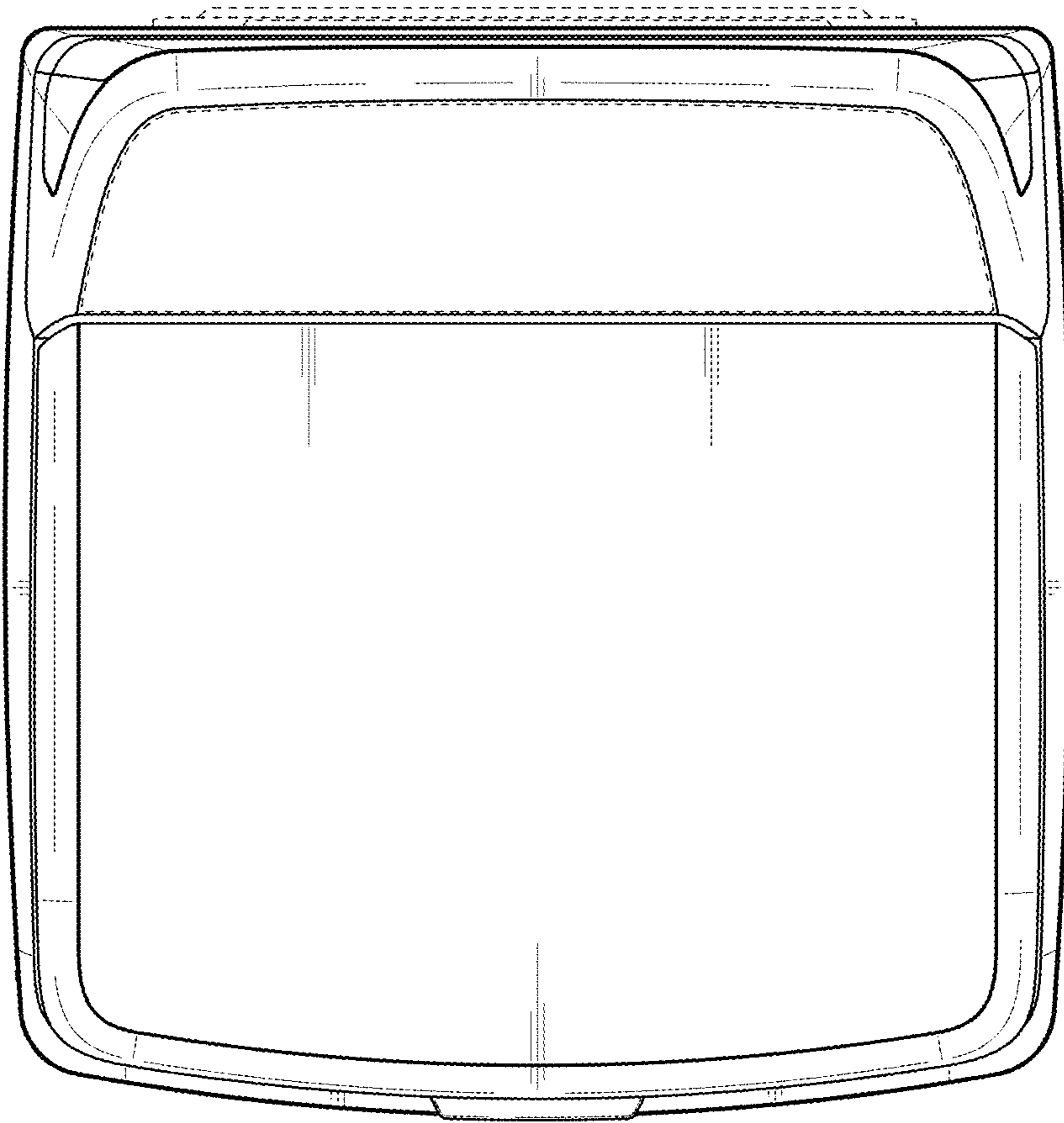


FIG. 7

