



US00D884996S

(12) **United States Design Patent** (10) **Patent No.:** **US D884,996 S**
Anselm et al. (45) **Date of Patent:** **** May 19, 2020**

(54) **RINSING MACHINE**

(71) Applicant: **MEIKO Maschinenbau GmbH & Co. KG**, Offenburg (DE)

(72) Inventors: **Stanislav Anselm**, Offenburg (DE); **Bruno Gaus**, Offenburg (DE); **Denis Lehmann**, Ortenberg (DE)

(73) Assignee: **MEIKO MASCHINENBAU GMBH & CO. KG**, Offenburg (DE)

(**) Term: **15 Years**

(21) Appl. No.: **29/616,823**

(22) Filed: **Sep. 8, 2017**

(30) **Foreign Application Priority Data**

Mar. 9, 2017 (EP) 003791193

(51) **LOC (12) Cl.** **15-05**

(52) **U.S. Cl.**
USPC **D32/1**

(58) **Field of Classification Search**
USPC D32/1-3, 14, 15, 25; D15/19-21, 199;
D23/213, 499

(Continued)

(56) **References Cited**

U.S. PATENT DOCUMENTS

3,568,935 A * 3/1971 Hoffman A47L 15/16
239/568
3,903,909 A * 9/1975 Noren A47L 15/0036
134/58 D

(Continued)

Primary Examiner — Michelle E. Wilson

(74) *Attorney, Agent, or Firm* — Foley & Lardner LLP

(57) **CLAIM**

We claim the ornamental design for a rinsing machine, as shown and described.

DESCRIPTION

FIG. 1 is a top, front, right perspective view of the claimed design;

FIG. 2 is a front elevation view thereof;

FIG. 3 is a right elevation view thereof, wherein a left elevation view thereof is a mirror image of the view shown in FIG. 39;

FIG. 4 is a top, front, right perspective view of another embodiment of the claimed design;

FIG. 5 is a front elevation view thereof;

FIG. 6 is a right elevation view thereof, wherein a left elevation view thereof is a mirror image of the view shown in FIG. 42;

FIG. 7 is a top, front, right perspective view of another embodiment of the claimed design;

FIG. 8 is a front elevation view thereof;

FIG. 9 is a right elevation view thereof, wherein a left elevation view thereof is a mirror image of the view shown in FIG. 42;

FIG. 10 is a top, front, right perspective view of another embodiment of the claimed design;

FIG. 11 is a front elevation view thereof;

FIG. 12 is a right elevation view thereof;

FIG. 13 is a top, front, right perspective view of another embodiment of the claimed design;

FIG. 14 is a front elevation view thereof;

FIG. 15 is a right elevation view thereof;

FIG. 16 is a top, front, right perspective view of another embodiment of the claimed design;

FIG. 17 is a front elevation view thereof;

FIG. 18 is a right elevation view thereof;

FIG. 19 is a top, front, right perspective view of another embodiment of the claimed design;

FIG. 20 is a front elevation view thereof;

FIG. 21 is a left elevation view thereof;

FIG. 22 is a top, front, left perspective view of another embodiment of the claimed design;

FIG. 23 is a front elevation view thereof;

(Continued)

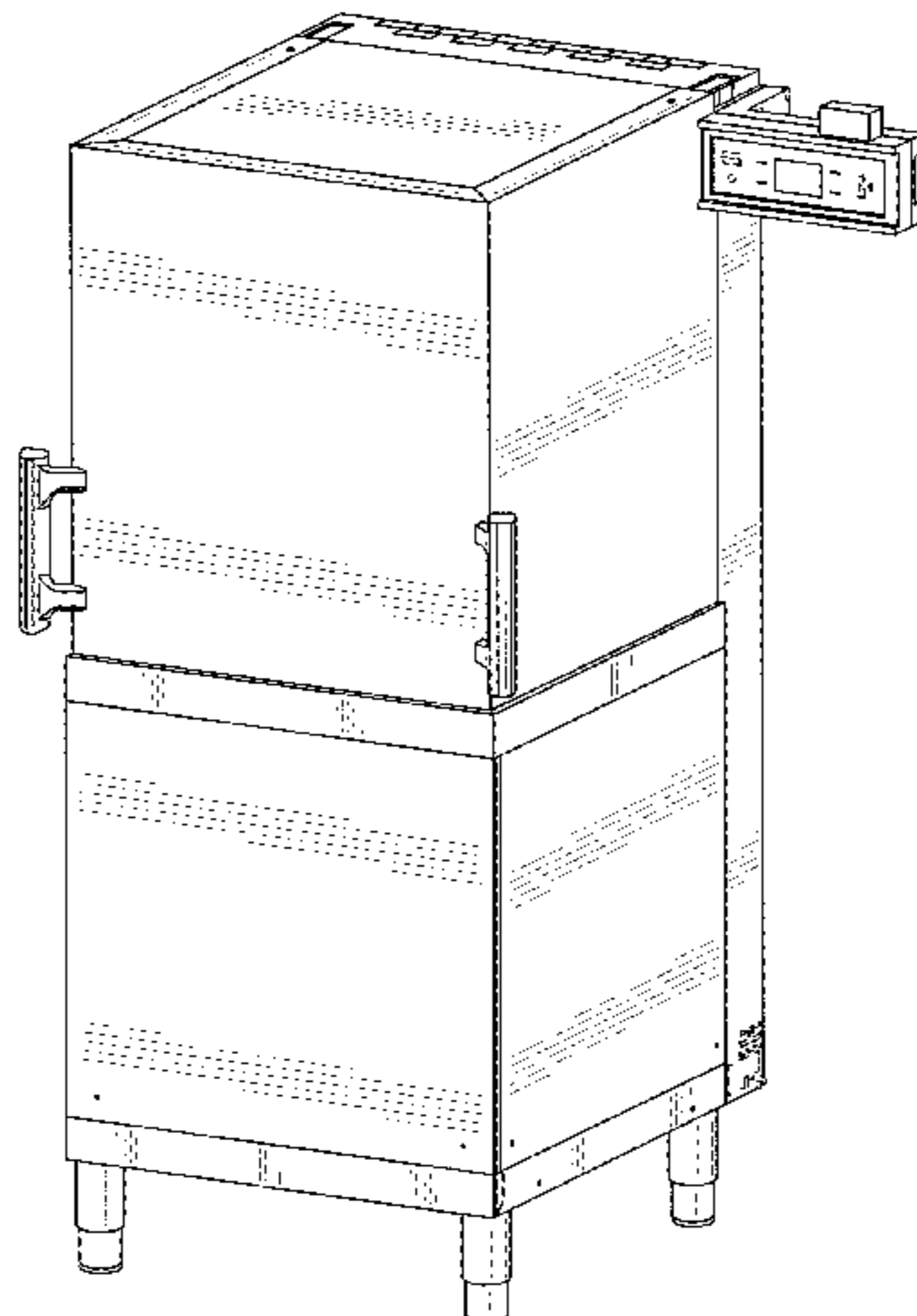


FIG. 24 is a left elevation view thereof, wherein a right elevation view thereof is identical to the view shown in FIG. 42;

FIG. 25 is a top, front, left perspective view of another embodiment of the claimed design;

FIG. 26 is a front elevation view thereof;

FIG. 27 is a left elevation view thereof, wherein a right elevation view thereof is identical to the view shown in FIG. 45;

FIG. 28 is a top, front, left perspective view of another embodiment of the claimed design;

FIG. 29 is a front elevation view thereof;

FIG. 30 is a left elevation view thereof;

FIG. 31 is a top, front, left perspective view of another embodiment of the claimed design;

FIG. 32 is a front elevation view thereof;

FIG. 33 is a left elevation view thereof;

FIG. 34 is a top, front, left perspective view of another embodiment of the claimed design;

FIG. 35 is a front elevation view thereof;

FIG. 36 is a left elevation view thereof;

FIG. 37 is a top, front, right perspective view of another embodiment of the claimed design;

FIG. 38 is a front elevation view thereof;

FIG. 39 is a right elevation view thereof, wherein a left elevation view thereof is a mirror image of the view shown in FIG. 39;

FIG. 40 is a top, front, right perspective view of another embodiment of the claimed design;

FIG. 41 is a front elevation view thereof;

FIG. 42 is a right elevation view thereof, wherein a left elevation view thereof is a mirror image of the view shown in FIG. 42;

FIG. 43 is a top, front, right perspective view of another embodiment of the claimed design;

FIG. 44 is a front elevation view thereof;

FIG. 45 is a right elevation view thereof, wherein a left elevation view thereof is a mirror image of the view shown in FIG. 45;

FIG. 46 is a top, front, right perspective view of another embodiment of the claimed design;

FIG. 47 is a front elevation view thereof; and,

FIG. 48 is a right elevation view thereof.

The ornamental design which is claimed is shown in solid lines in the drawings. The broken lines in the drawings are for illustrative purposes only and form no part of the claimed

design. Broken lines formed by equal length dashes show unclaimed portions of the design.

1 Claim, 48 Drawing Sheets

(58) **Field of Classification Search**

CPC A47L 15/0078; A47L 15/0063; A47L 15/0081; A47L 15/0049; A47L 15/0026; A47L 15/0057; A47L 15/4291; A47L 15/4236; A47L 15/0036; A47L 15/16; A21C 15/002; B08B 3/02; B08B 3/006; B60S 3/008; E05D 1/06; G07F 17/20

See application file for complete search history.

(56) **References Cited**

U.S. PATENT DOCUMENTS

3,949,772	A *	4/1976	Hartmann	A47L 15/0081 134/99.1
4,014,467	A *	3/1977	Ferguson	A47L 15/16 239/261
D298,372	S *	11/1988	Taylor, Jr.	D32/1
D371,874	S *	7/1996	Miller	D32/1
D374,316	S *	10/1996	Niemela	D32/1
D384,446	S *	9/1997	Linton	D32/1
5,820,691	A *	10/1998	Hartman	A47L 15/4236 134/18
D566,347	S *	4/2008	Cao	D32/1
D615,257	S *	5/2010	Helm	D32/1
D619,311	S *	7/2010	Publ	D32/1
D683,503	S *	5/2013	Helm	D32/1
D728,174	S *	4/2015	Hedegaard	D32/1
D796,749	S *	9/2017	Kessler	D32/1
D819,902	S *	6/2018	Leckrone	D32/1
D835,862	S *	12/2018	Luo	D32/1
10,405,730	B2 *	9/2019	Berner	A47L 15/4291
2002/0096192	A1 *	7/2002	Reichold	A47L 15/0057 134/18
2004/0000269	A1 *	1/2004	Herman	A21C 15/002 118/14
2008/0135068	A1 *	6/2008	Lee	B08B 3/02 134/25.5
2011/0177772	A1 *	7/2011	Hockaday	A47L 15/0049 454/341
2016/0227980	A1 *	8/2016	Peukert	A47L 15/0026
2017/0071440	A1 *	3/2017	Berner	A47L 15/0078
2018/0008121	A1 *	1/2018	Gaus	A47L 15/0081
2018/0055329	A1 *	3/2018	Lehmann	A47L 15/0081
2018/0110393	A1 *	4/2018	Fisher	A47L 15/0063
2018/0199792	A1 *	7/2018	Berner	A47L 15/0078
2018/0206695	A1 *	7/2018	Disch	A47L 15/0078

* cited by examiner

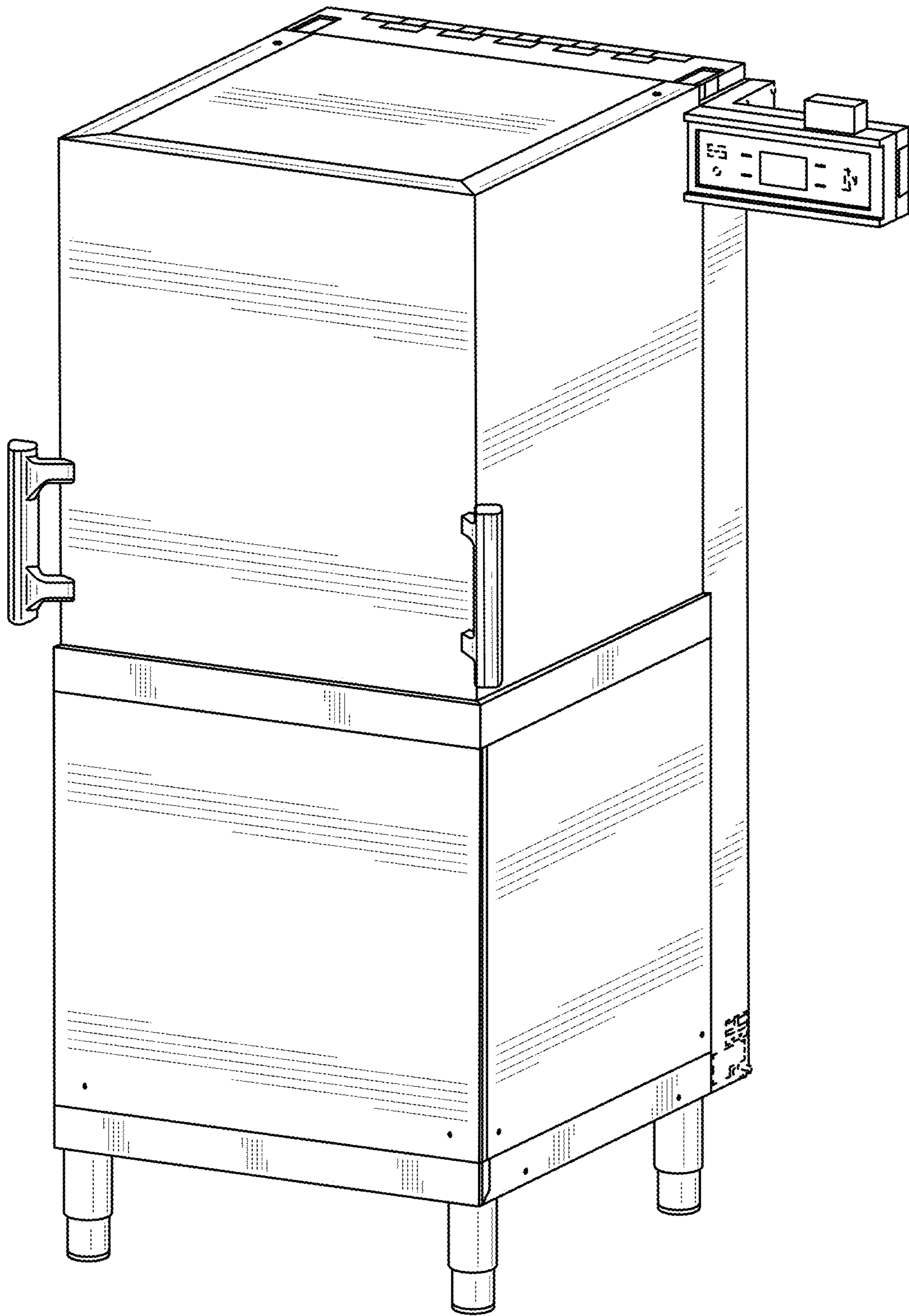


FIG. 1

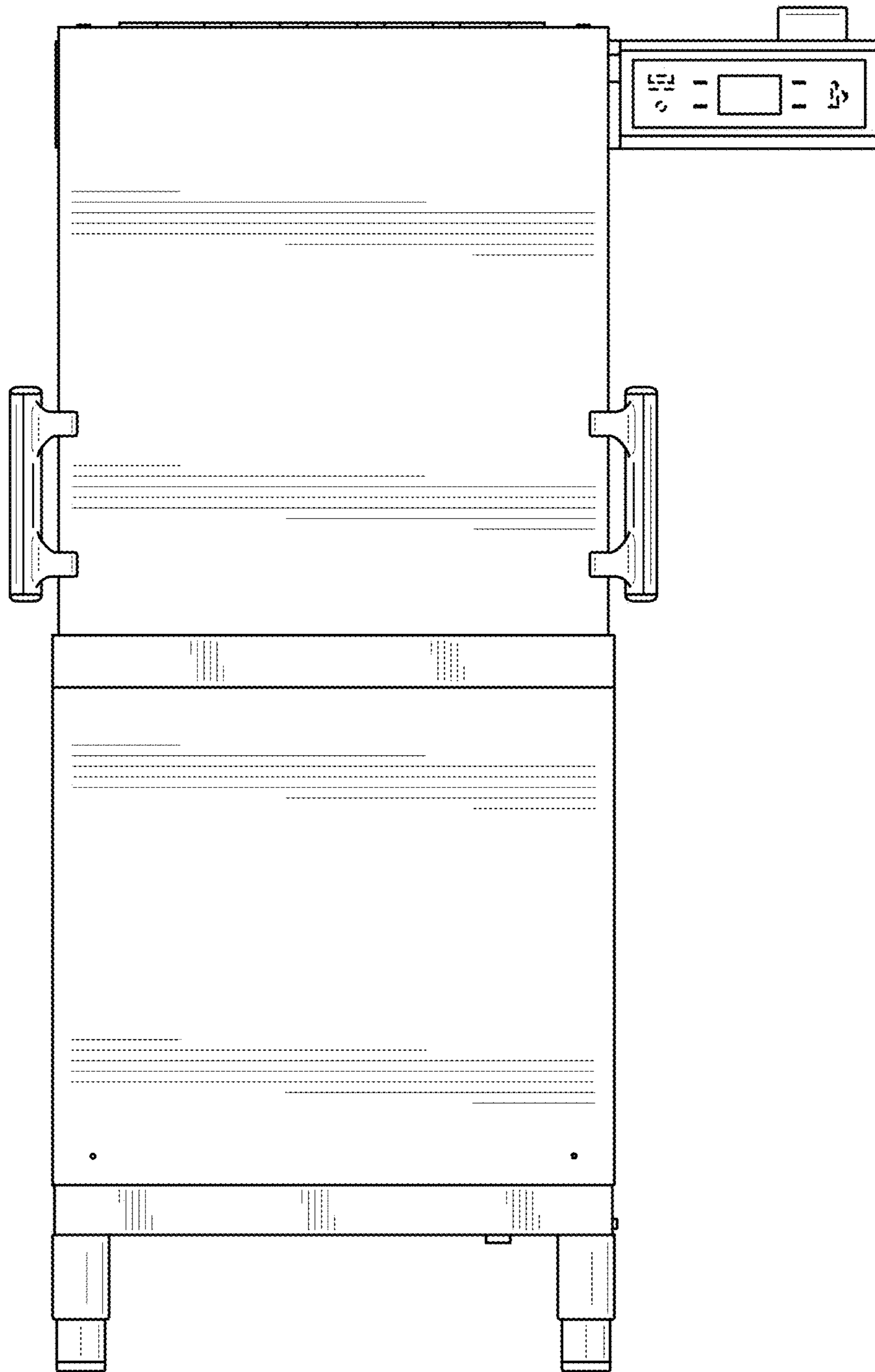


FIG. 2

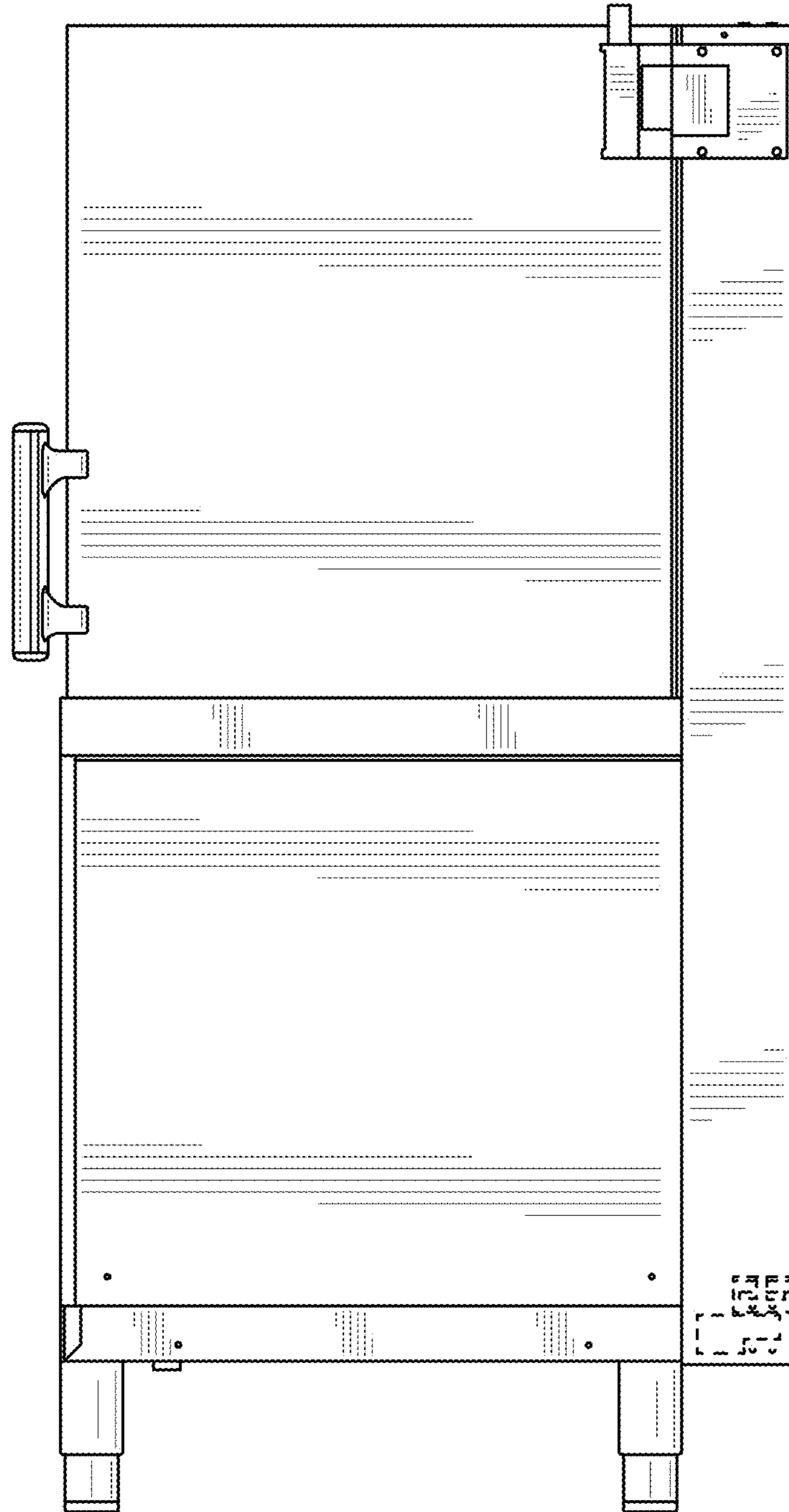


FIG. 3

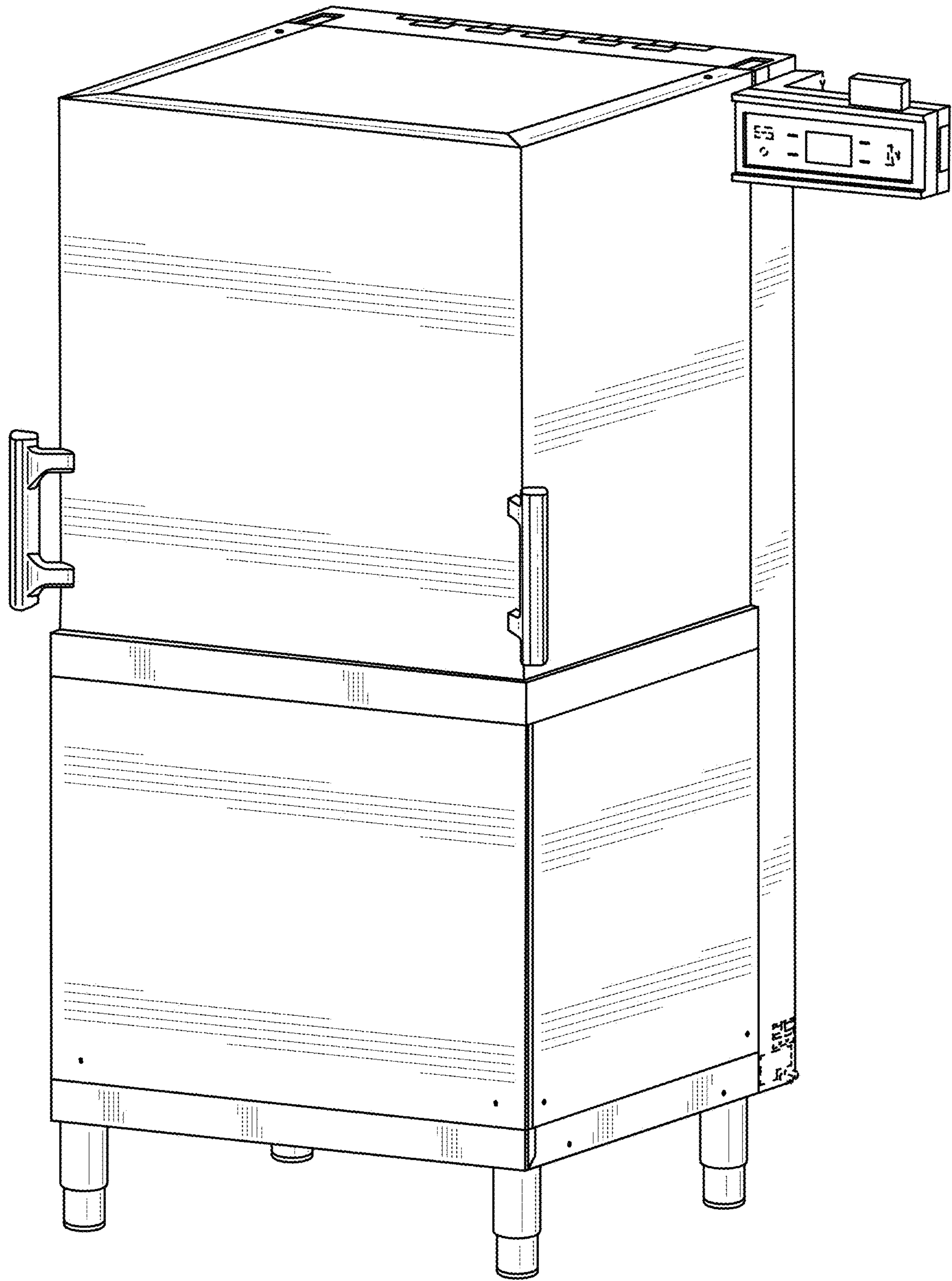


FIG. 4

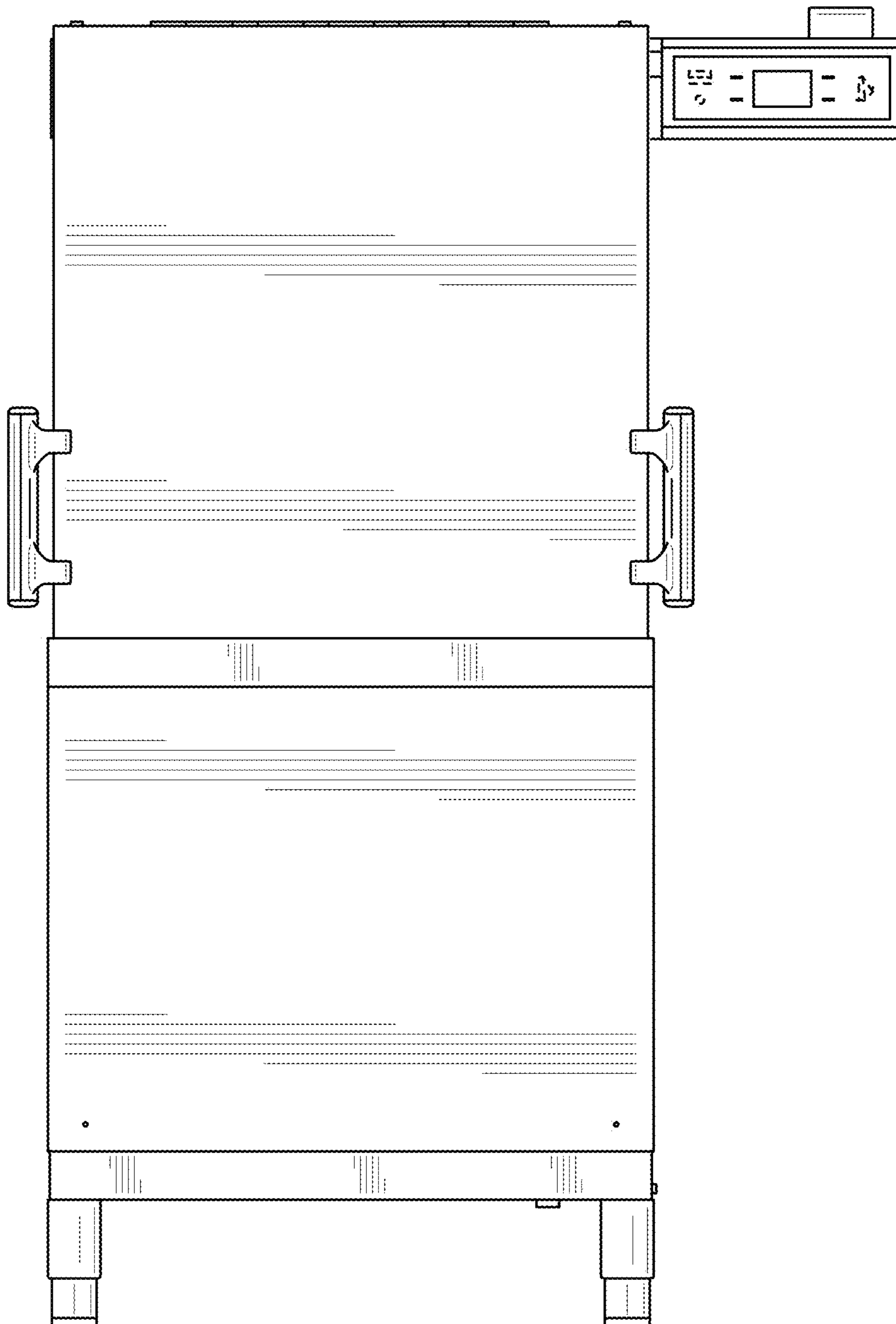


FIG. 5

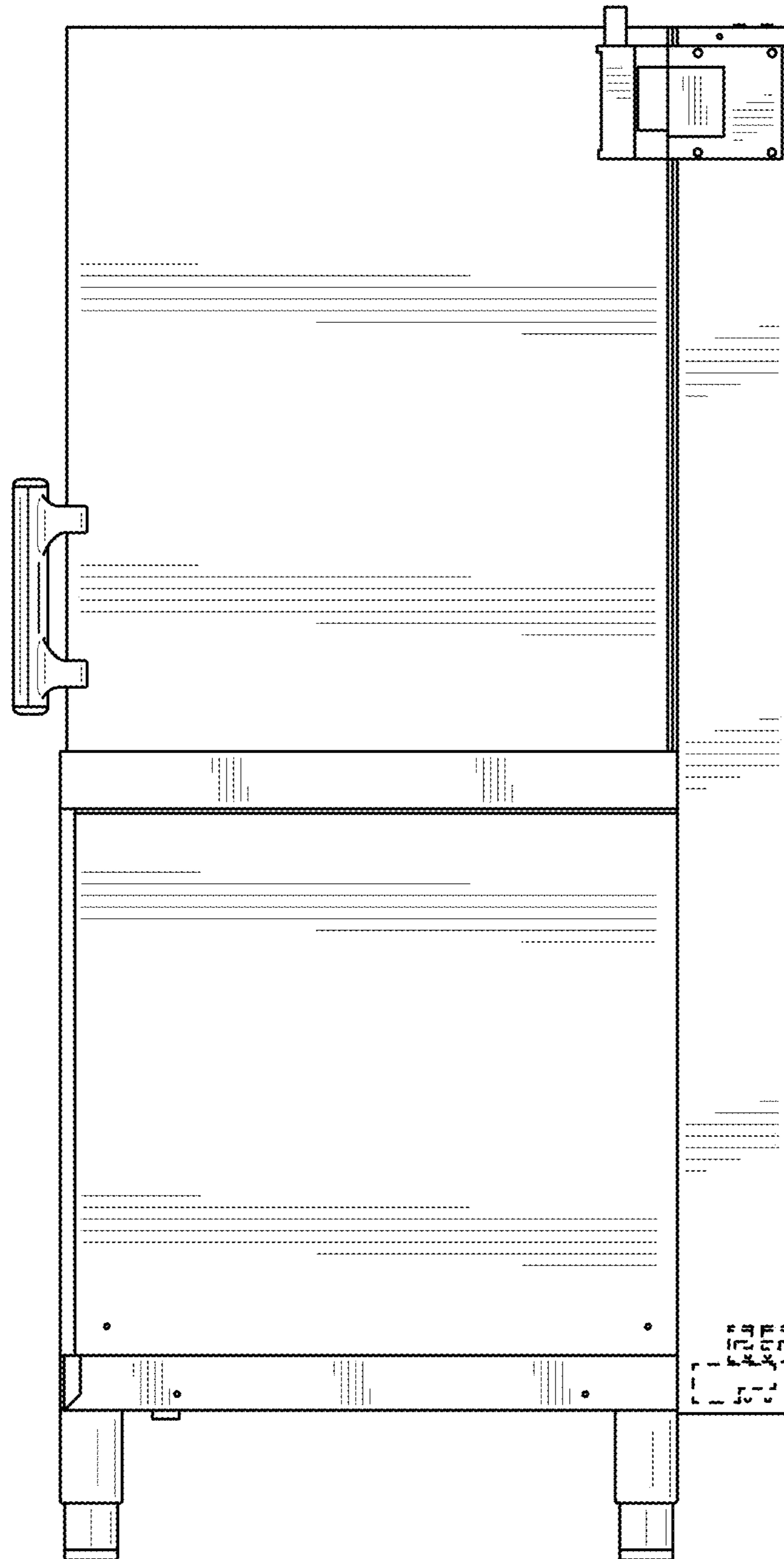


FIG. 6

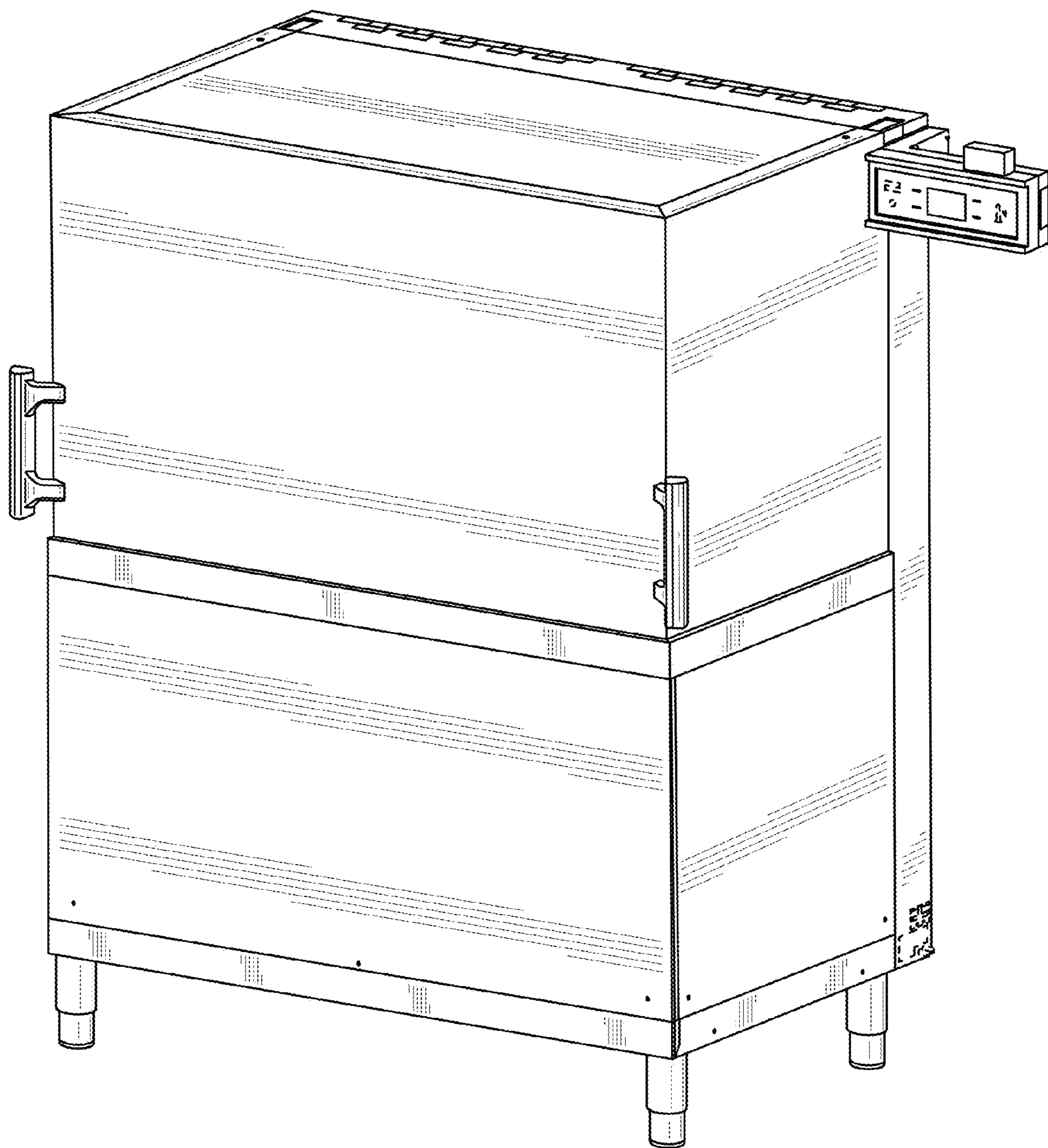


FIG. 7

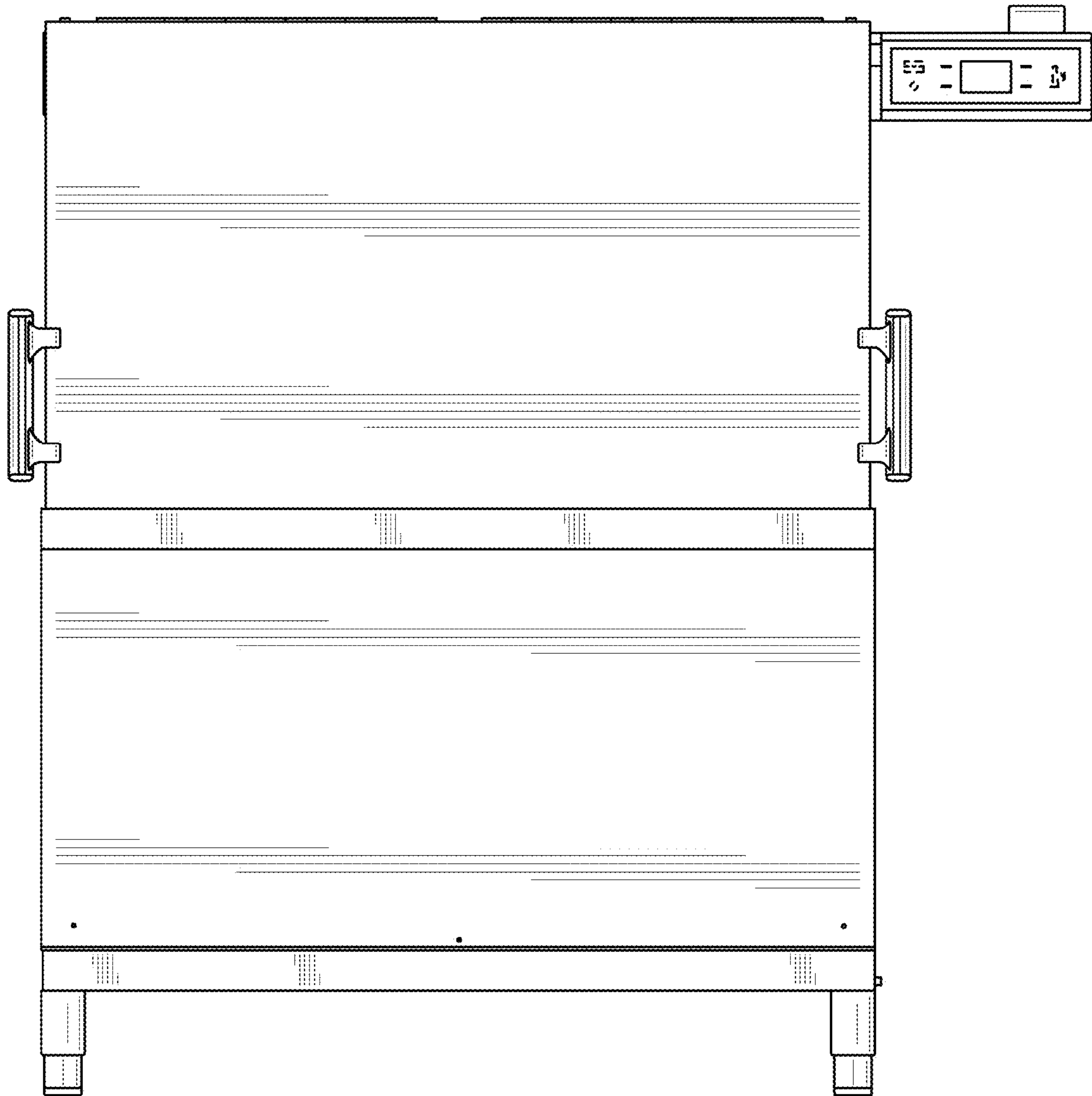


FIG. 8

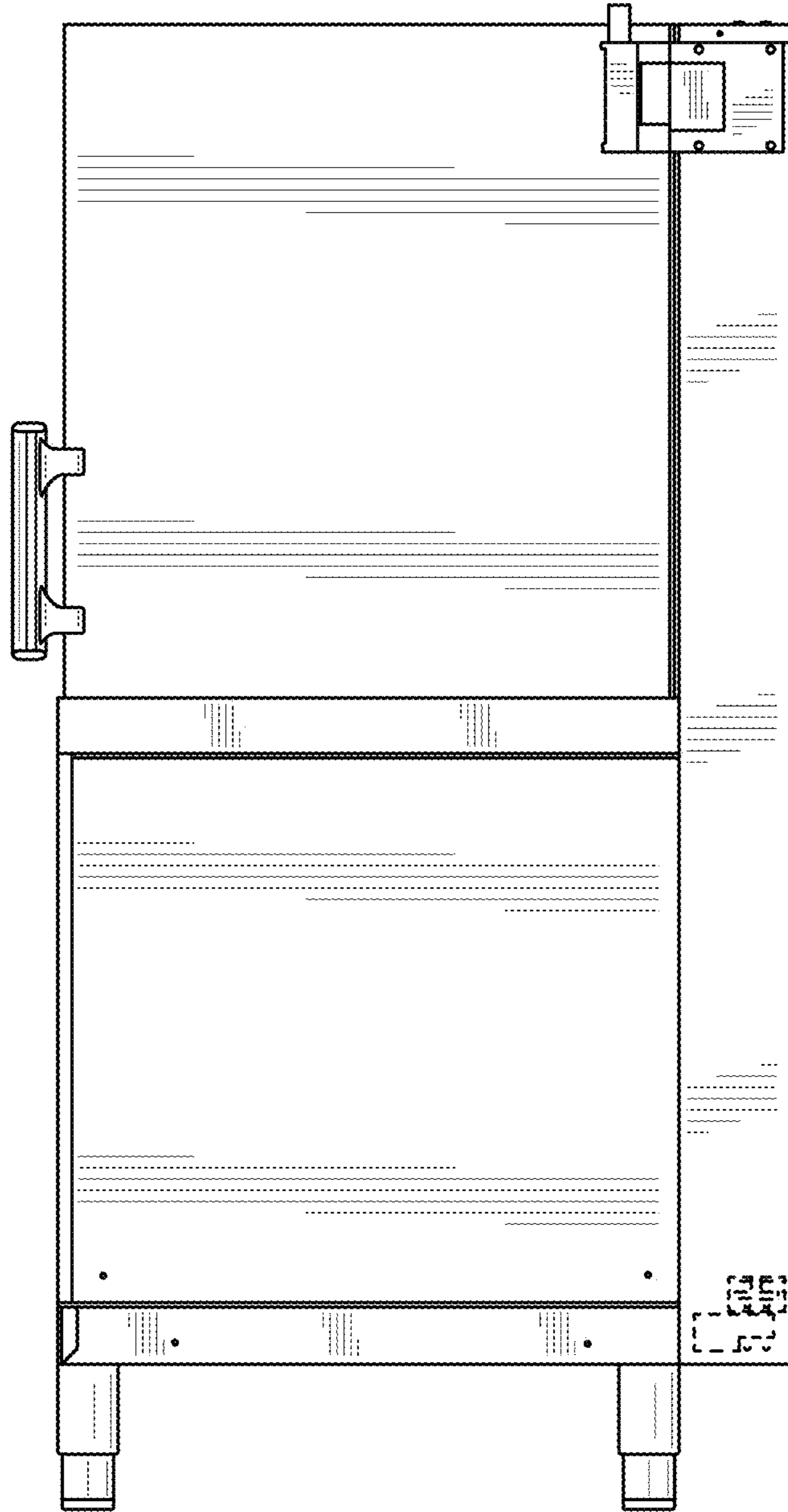


FIG. 9

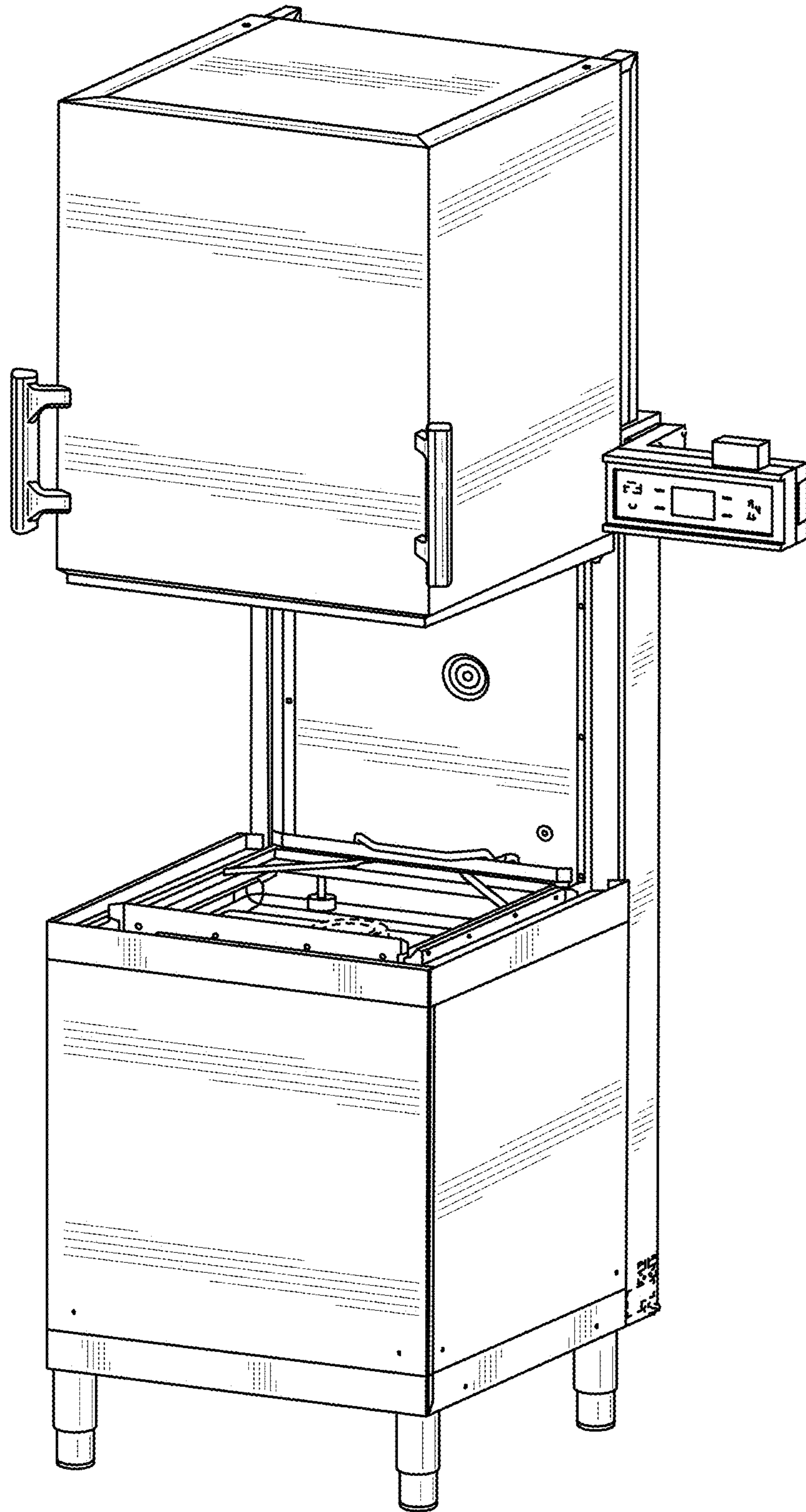


FIG. 10

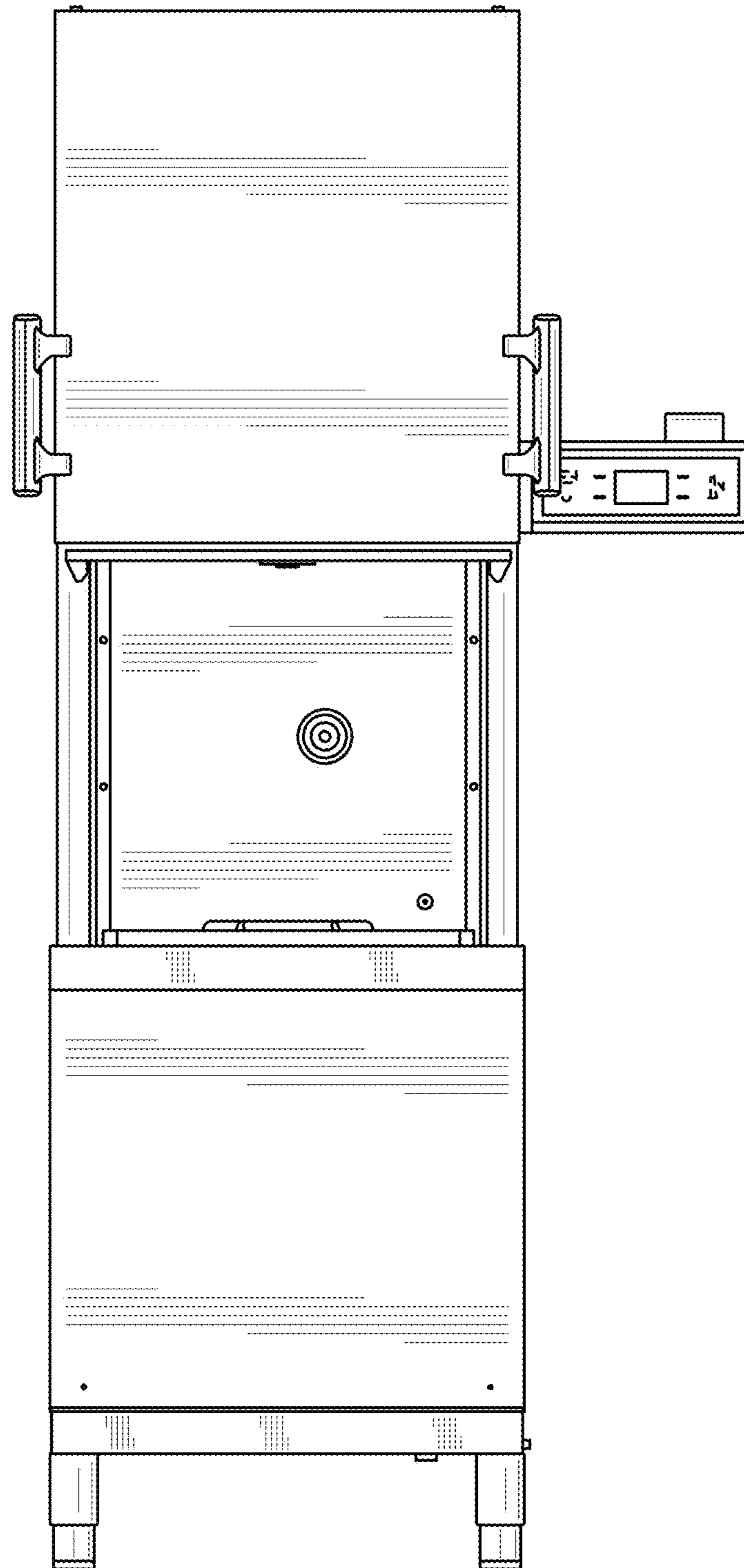


FIG. 11

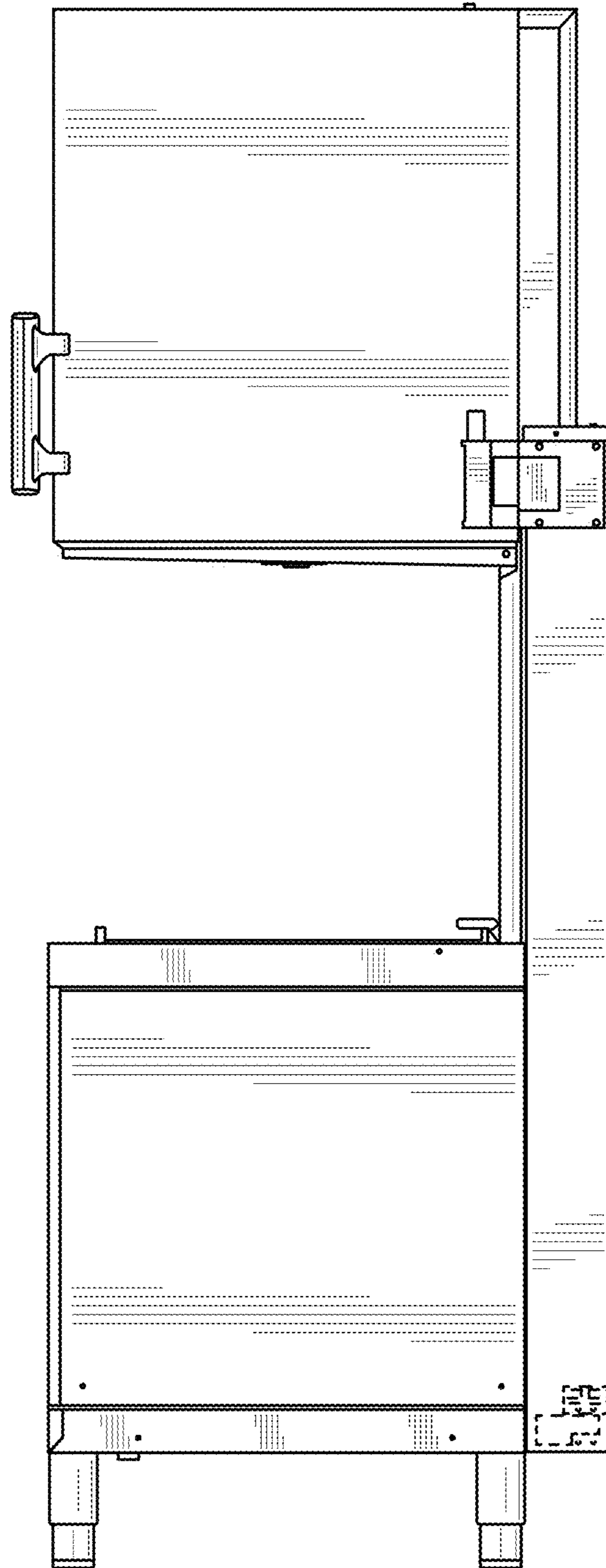


FIG. 12

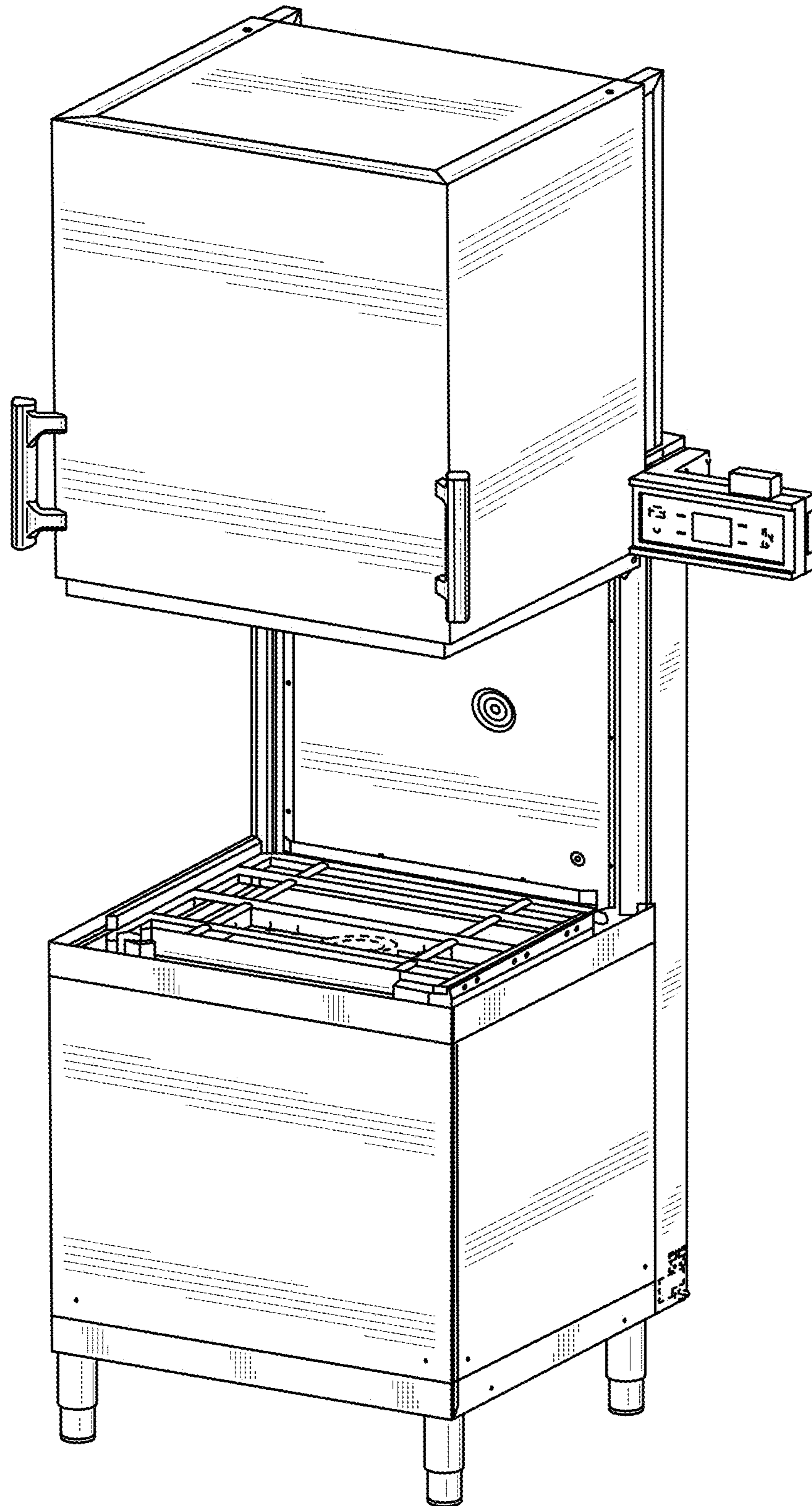


FIG. 13

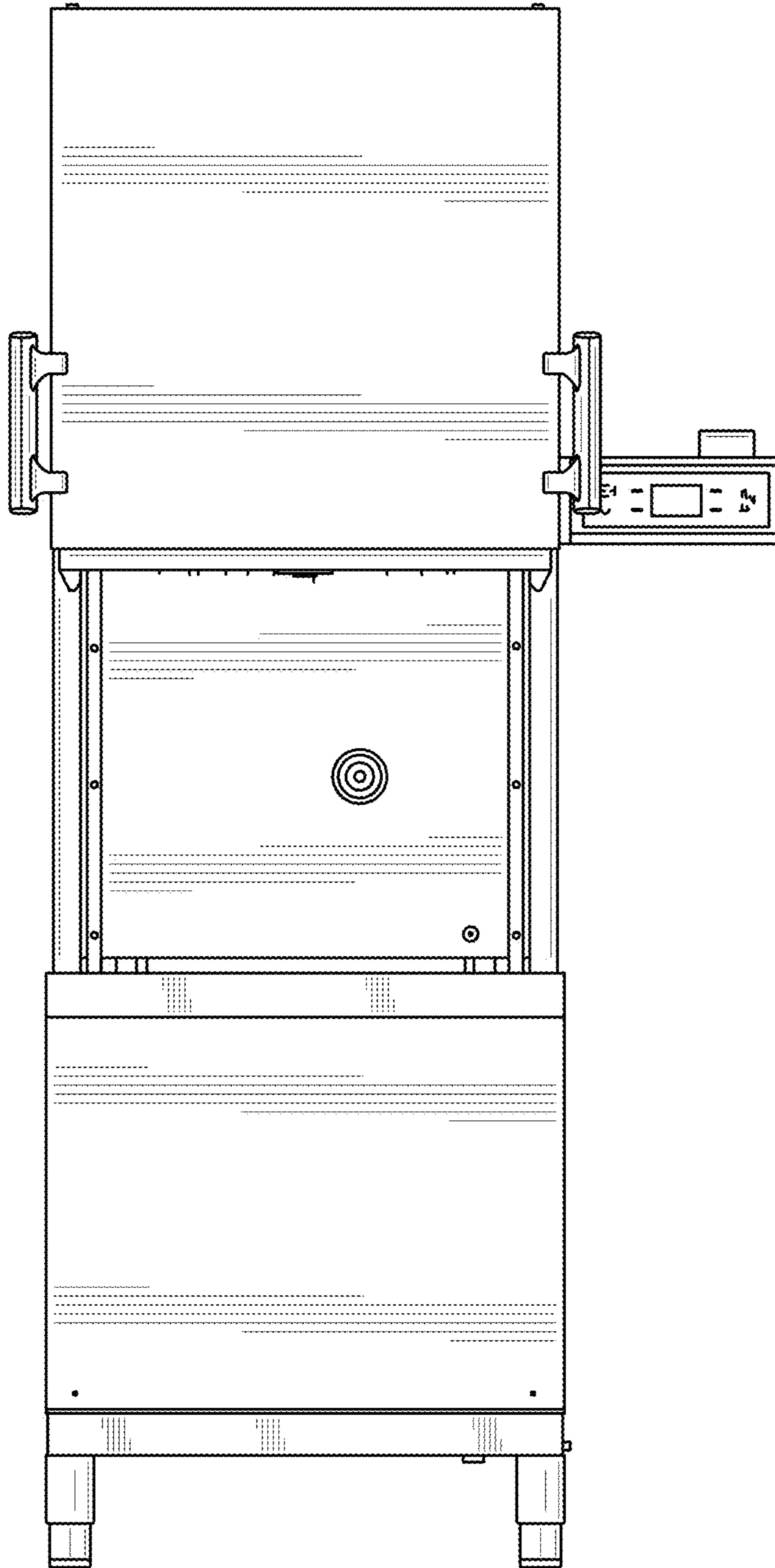


FIG. 14

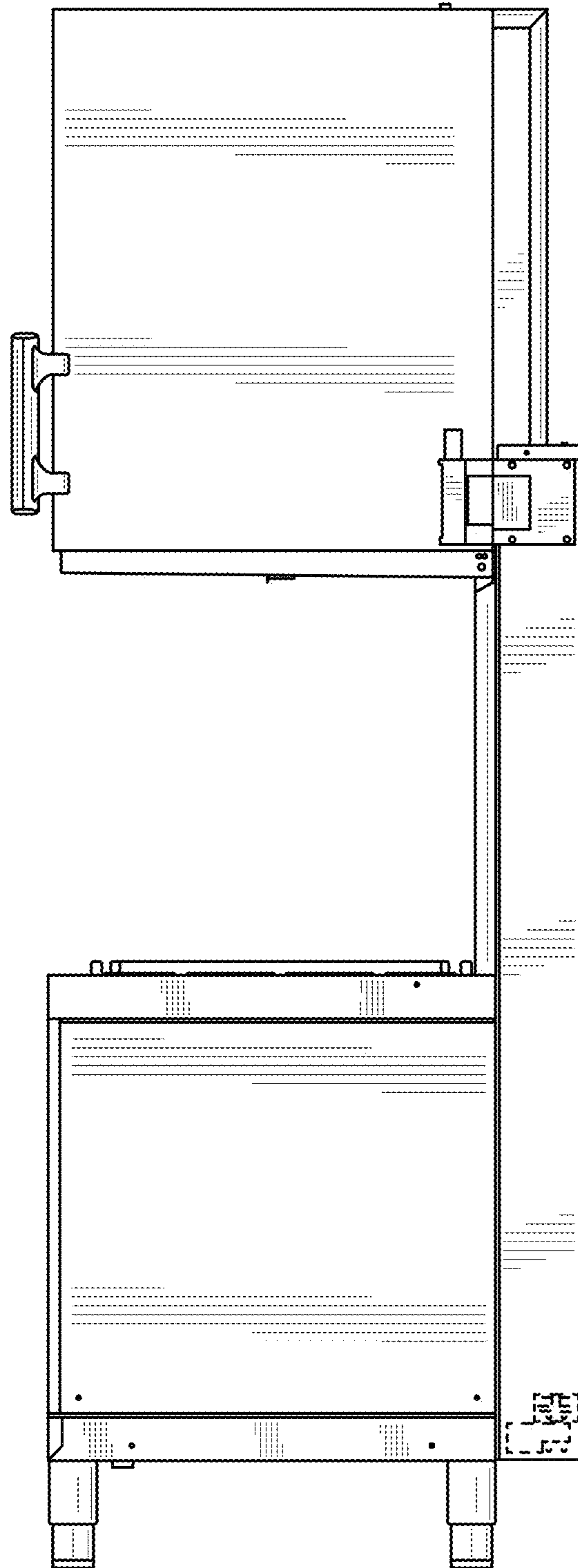


FIG. 15

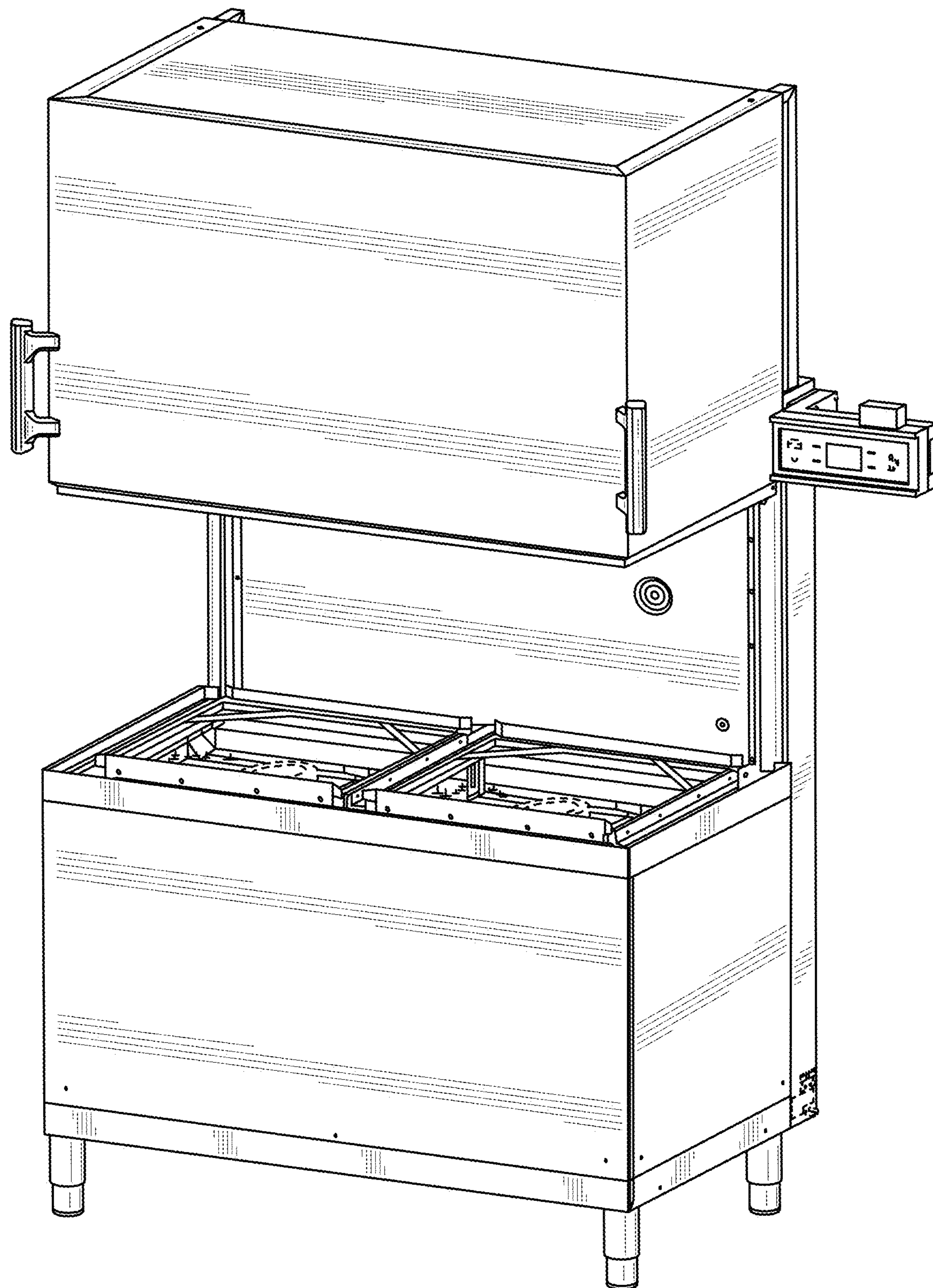


FIG. 16

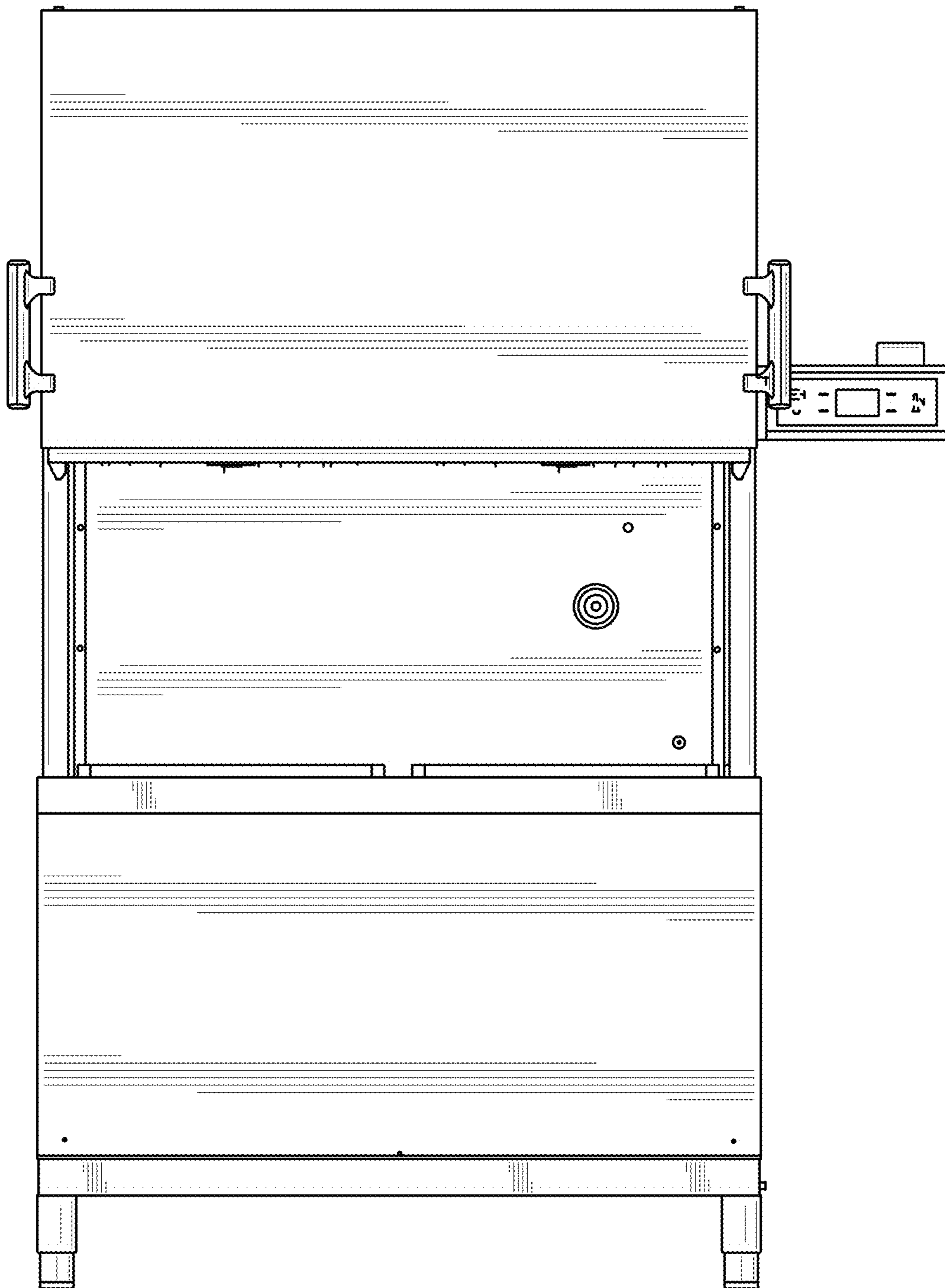


FIG. 17

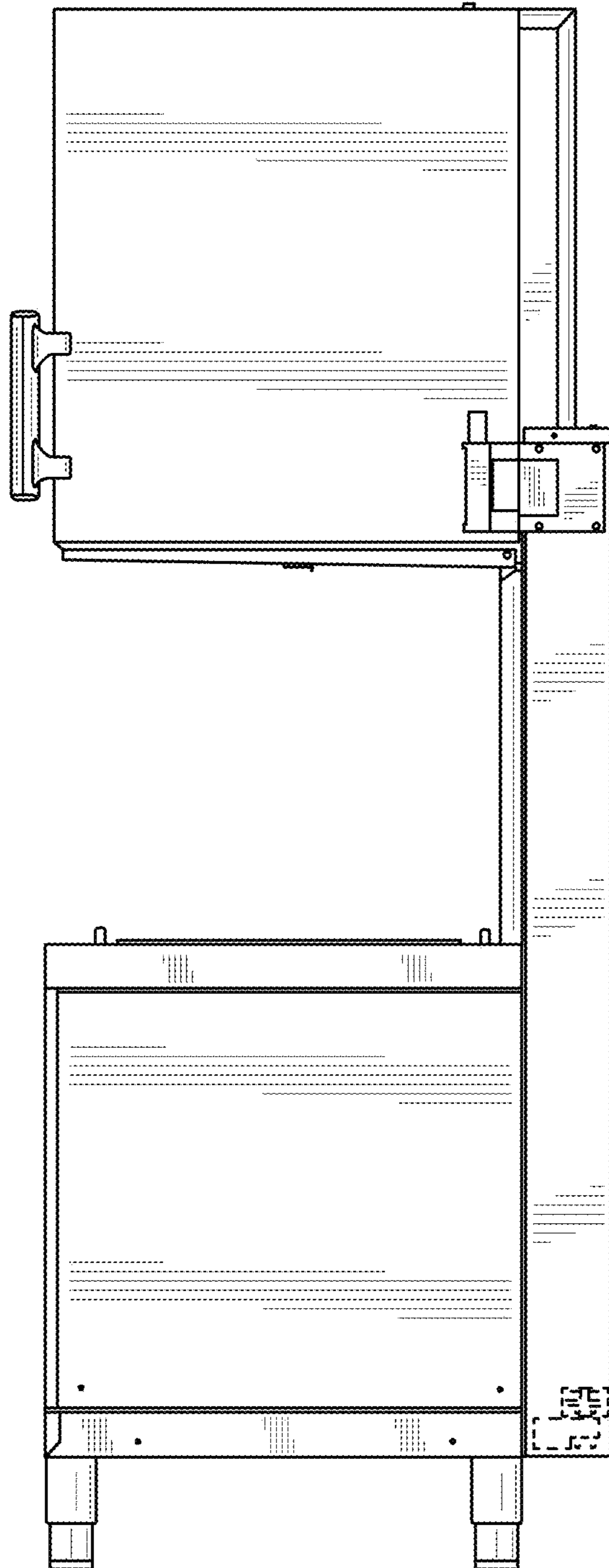


FIG. 18

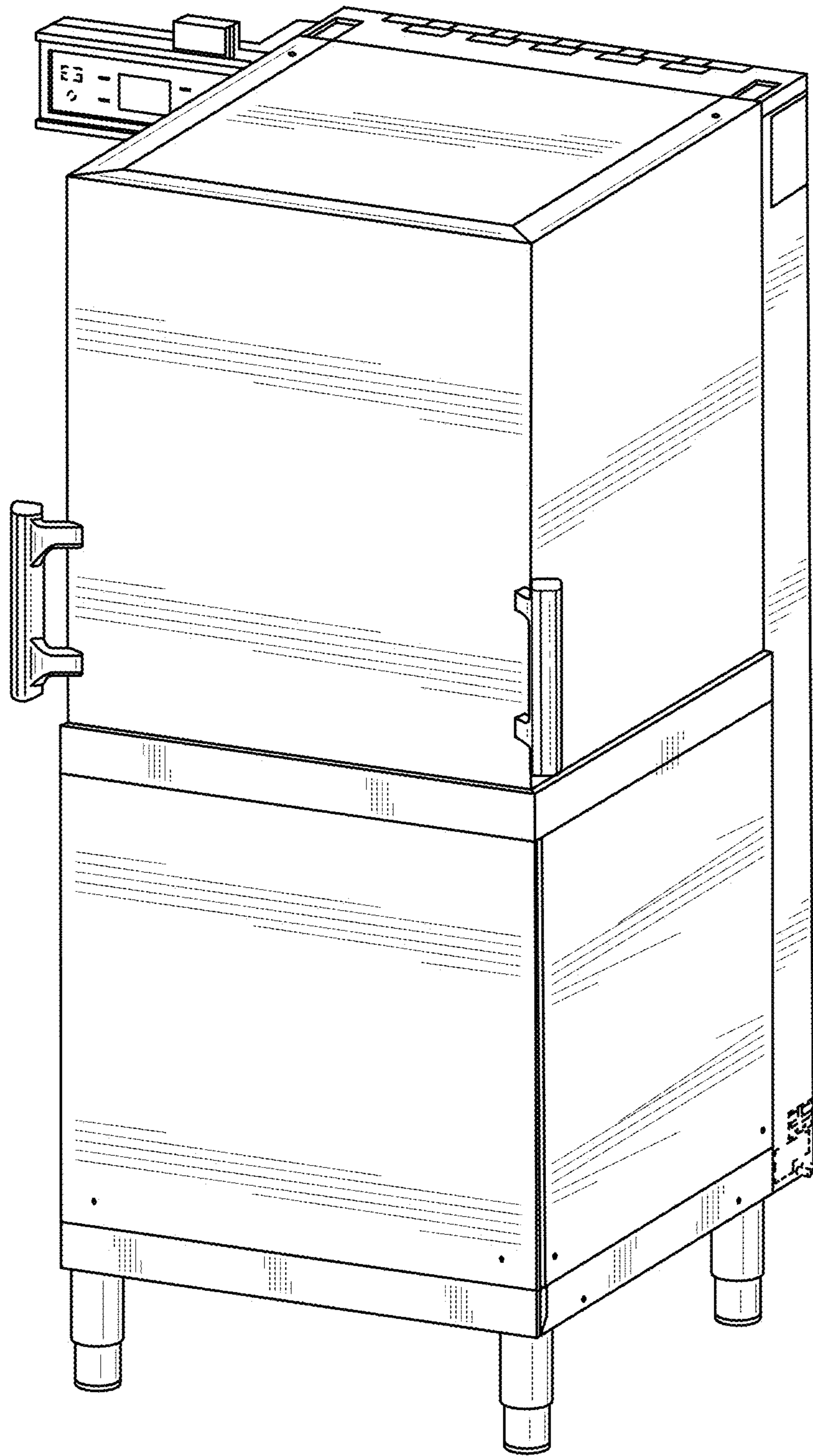


FIG. 19

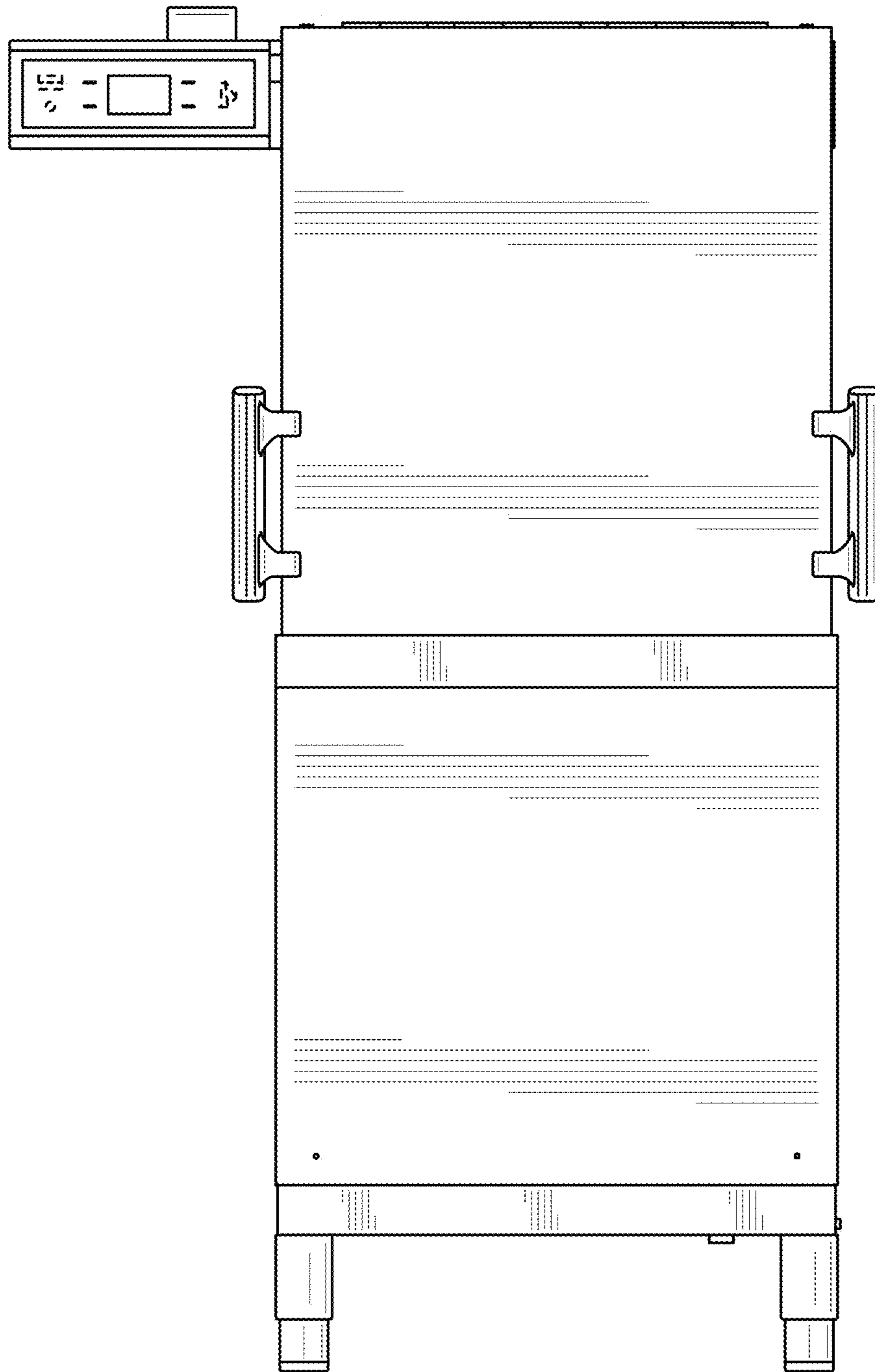


FIG. 20

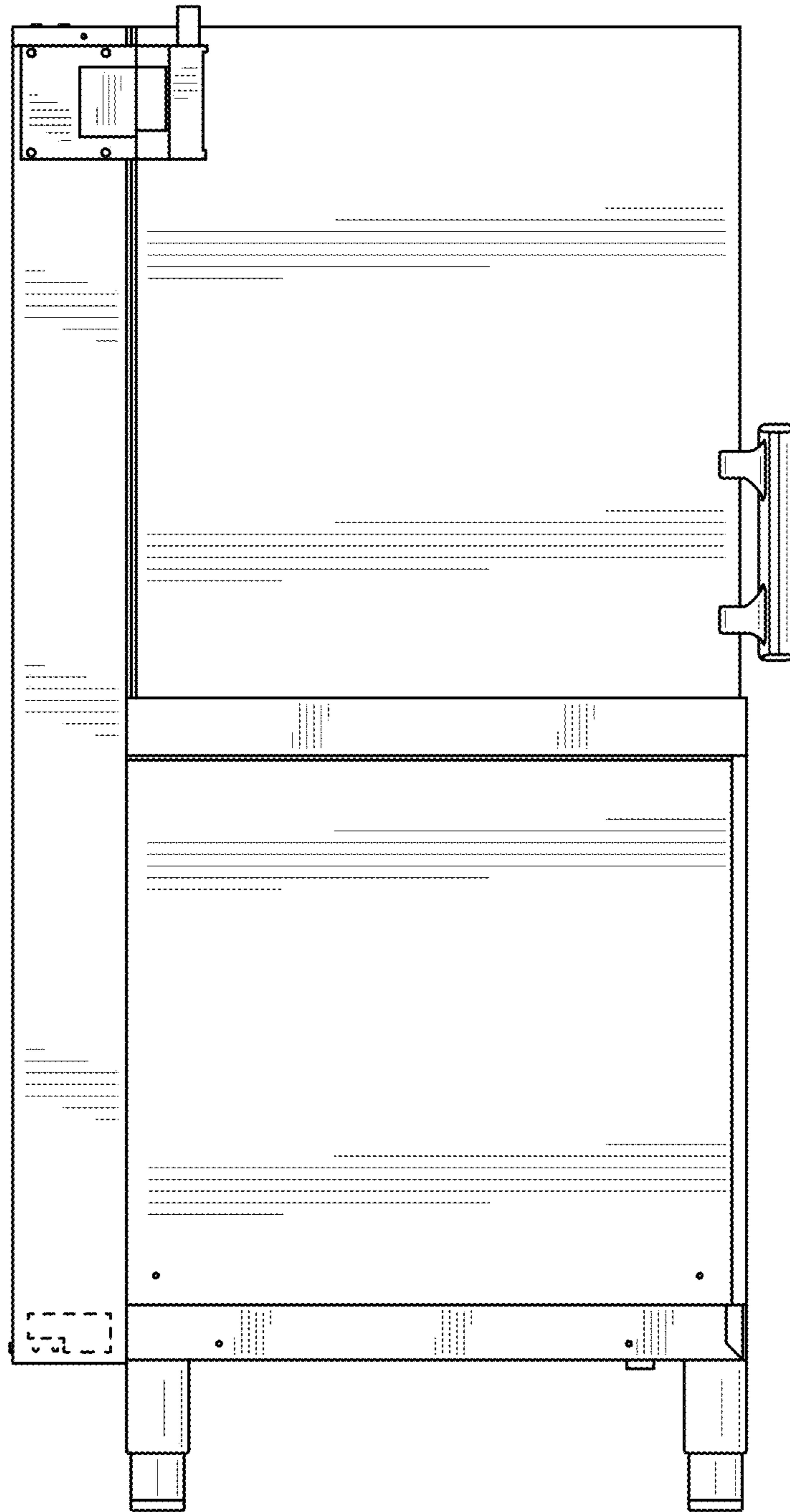


FIG. 21

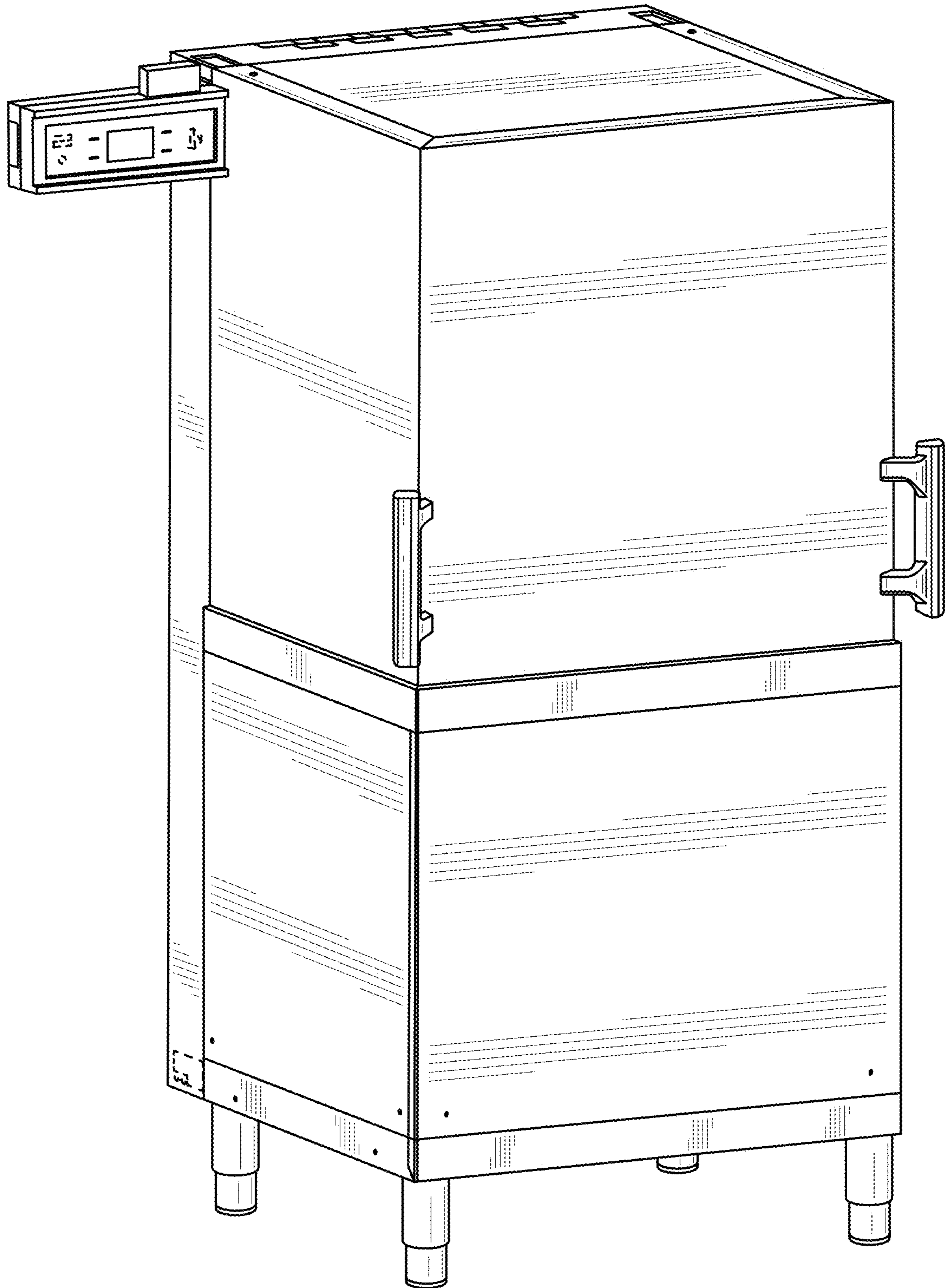


FIG. 22

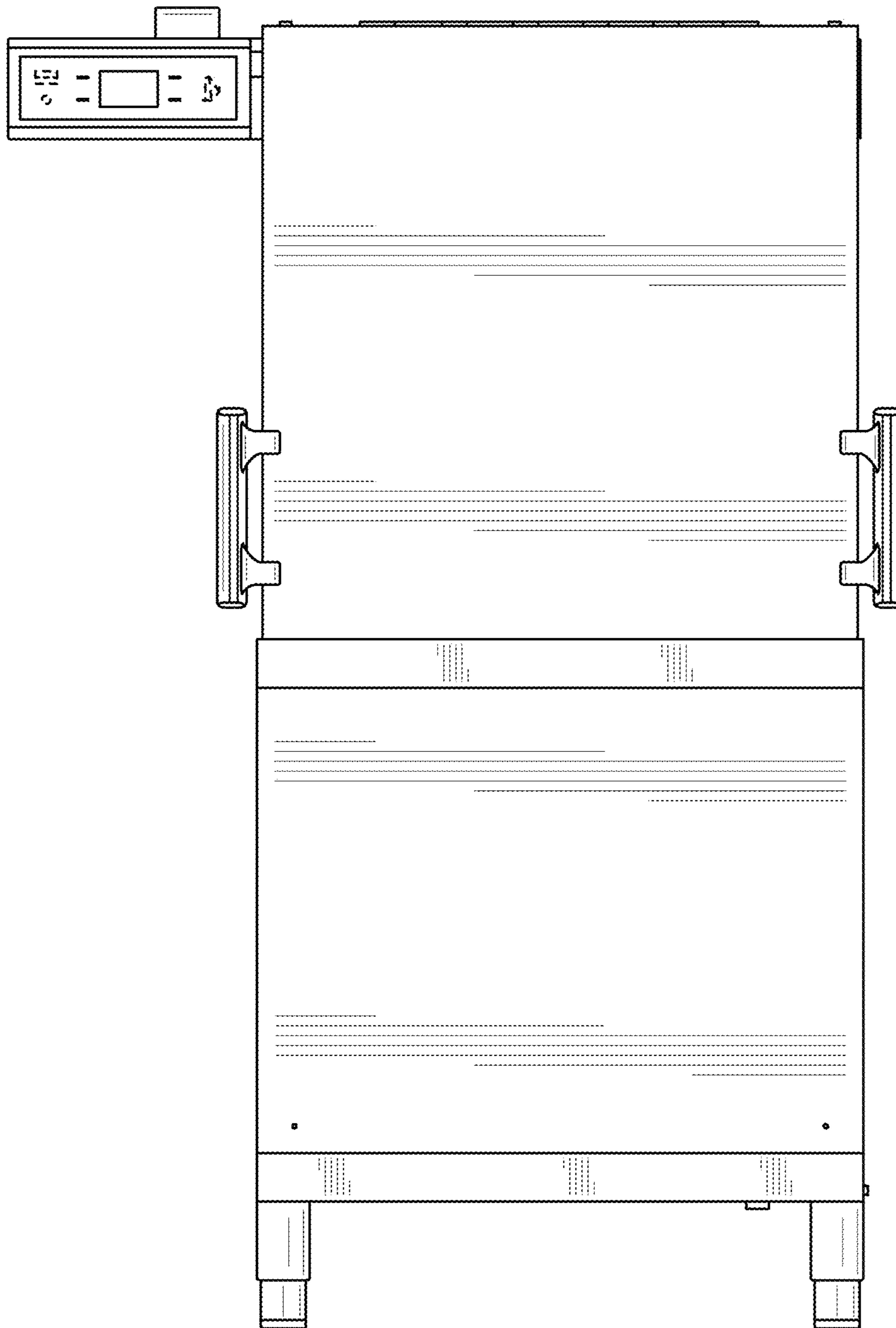


FIG. 23

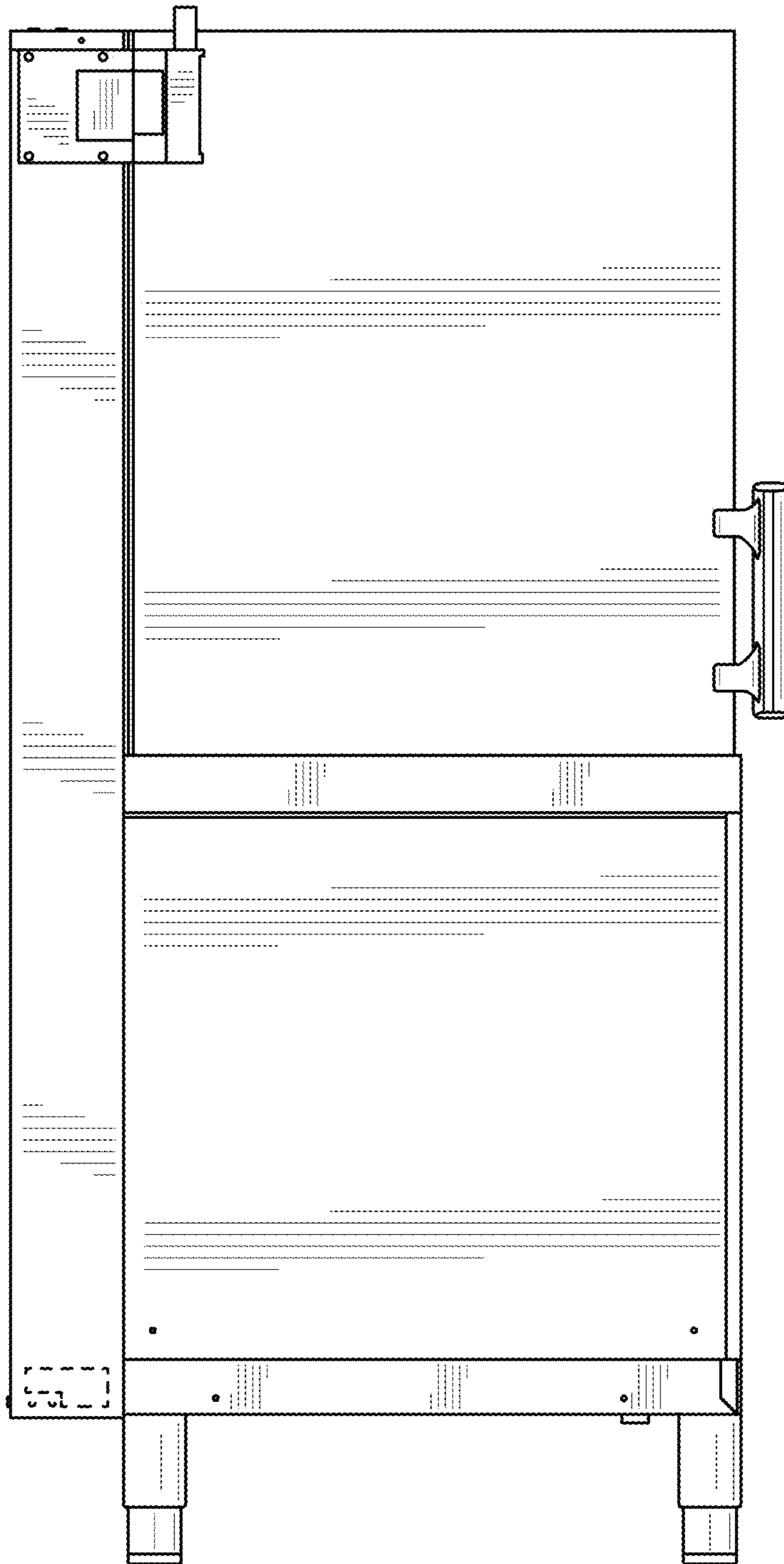


FIG. 24

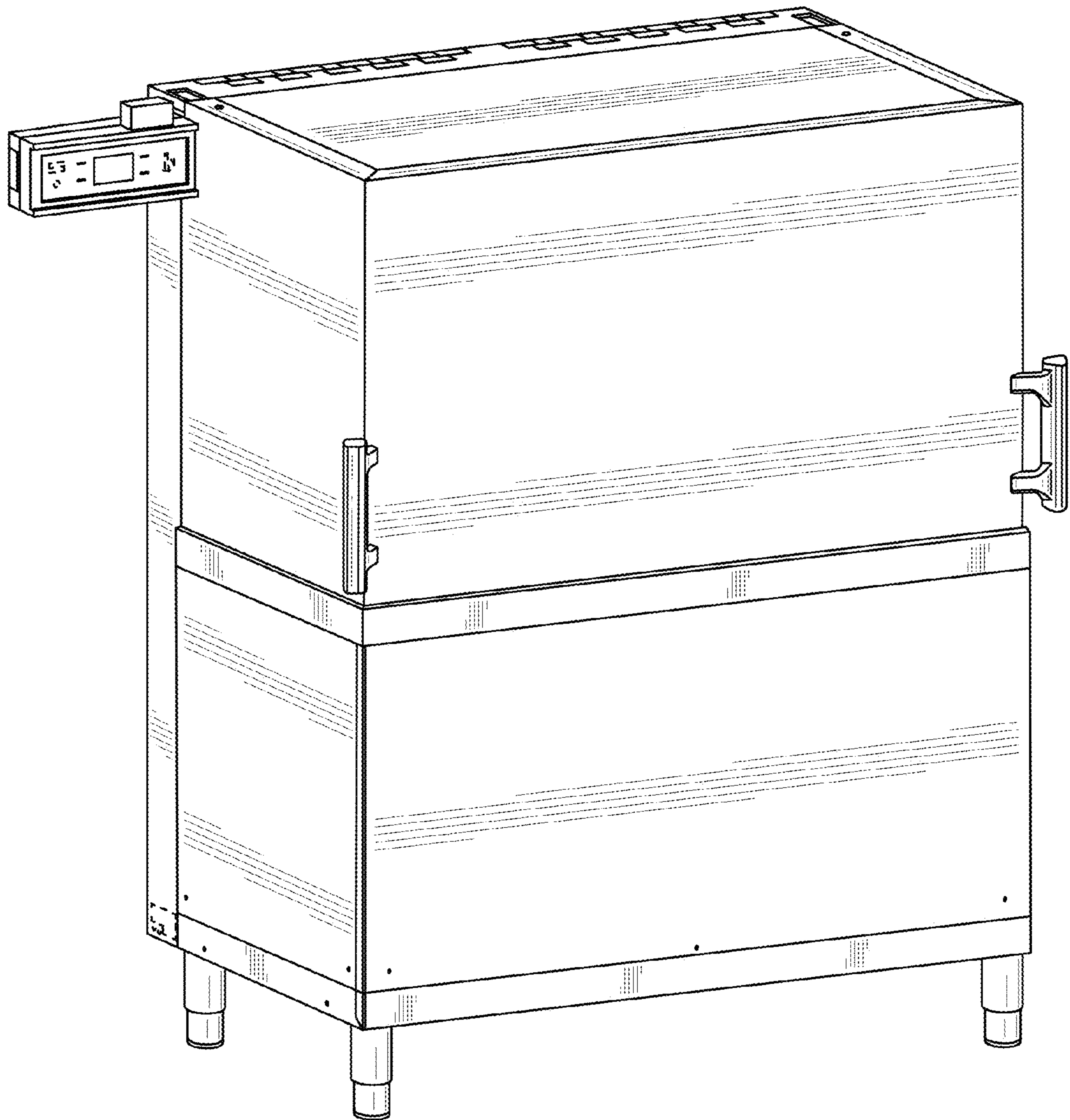


FIG. 25

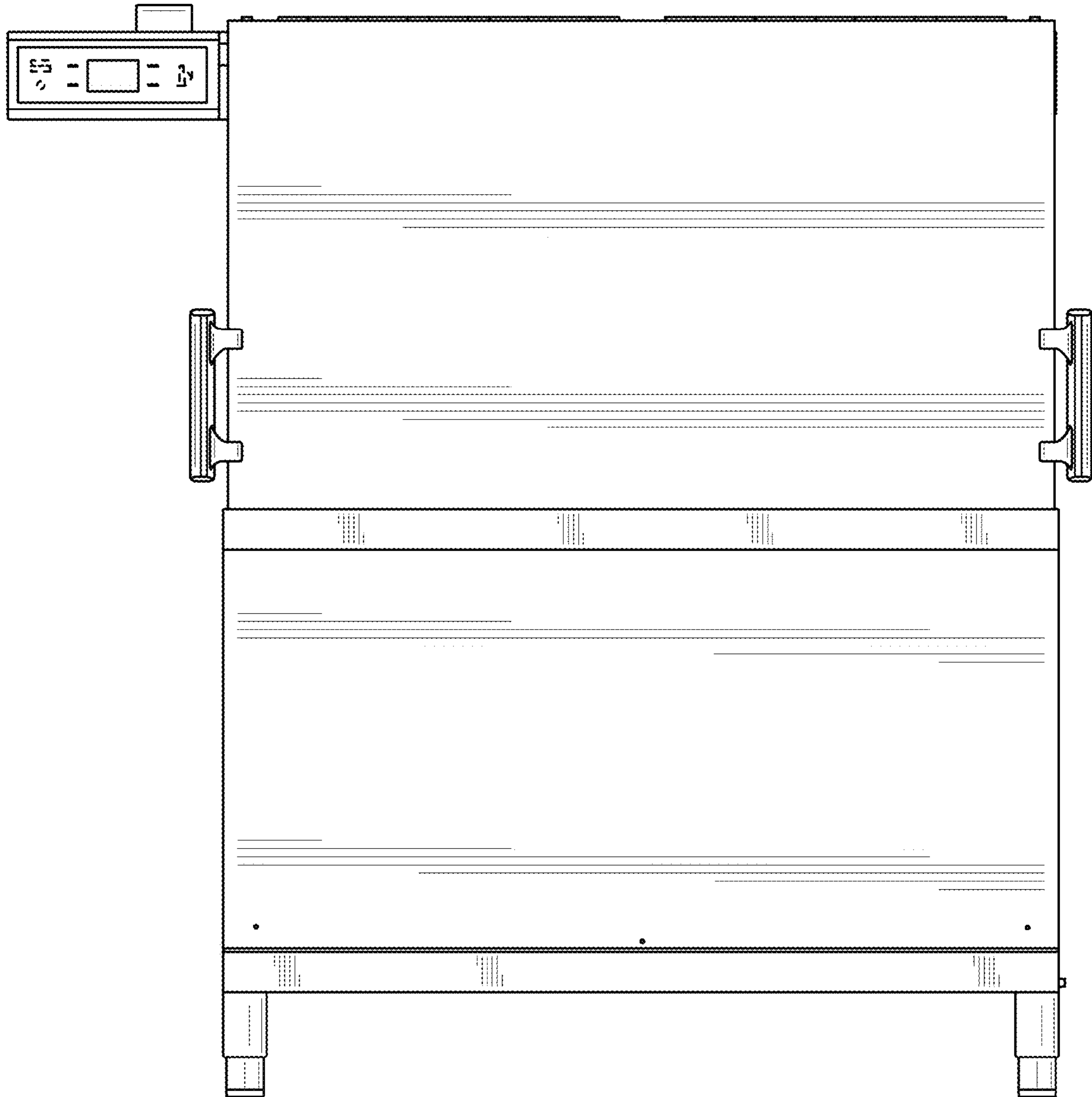


FIG. 26

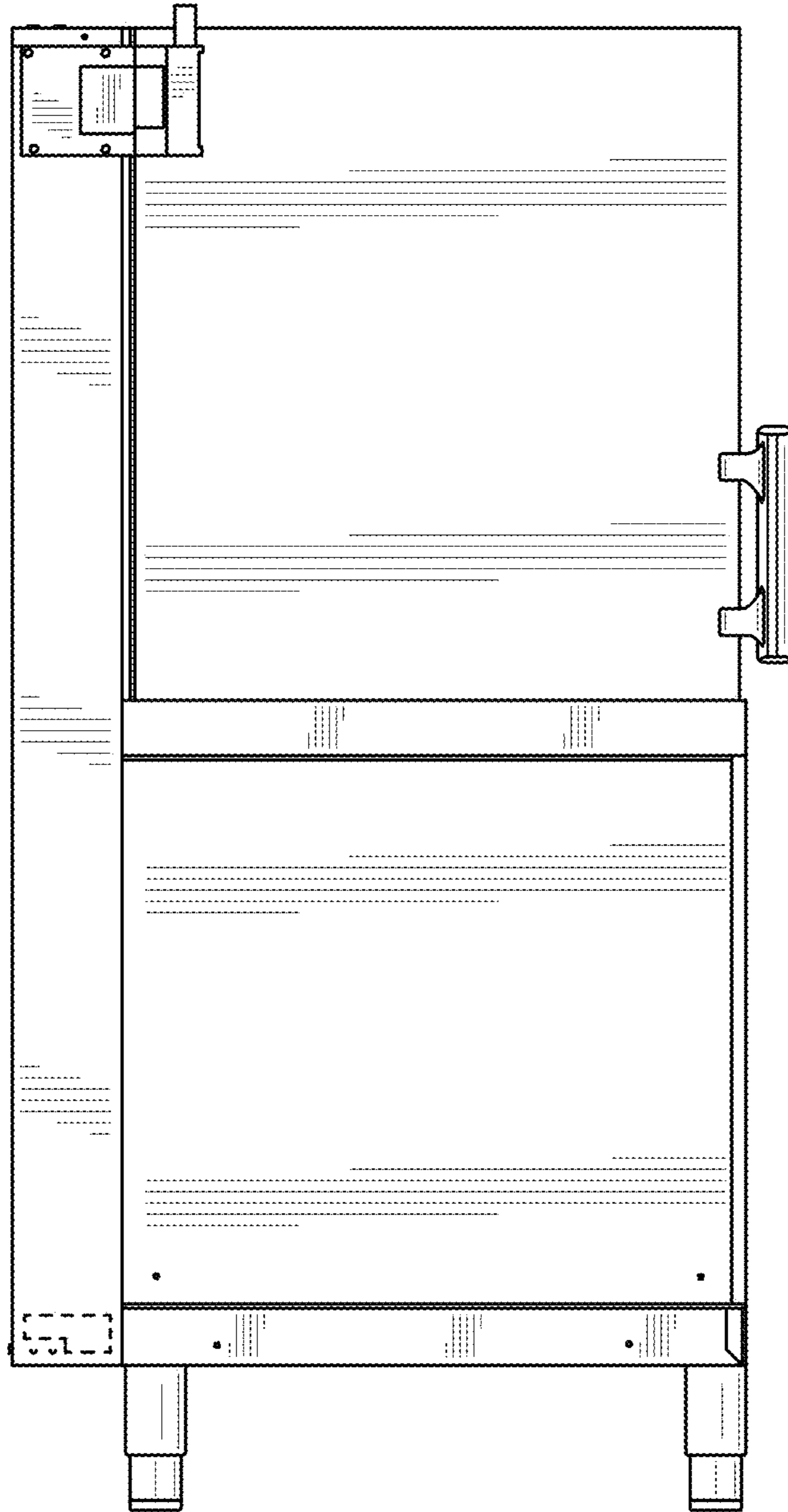


FIG. 27

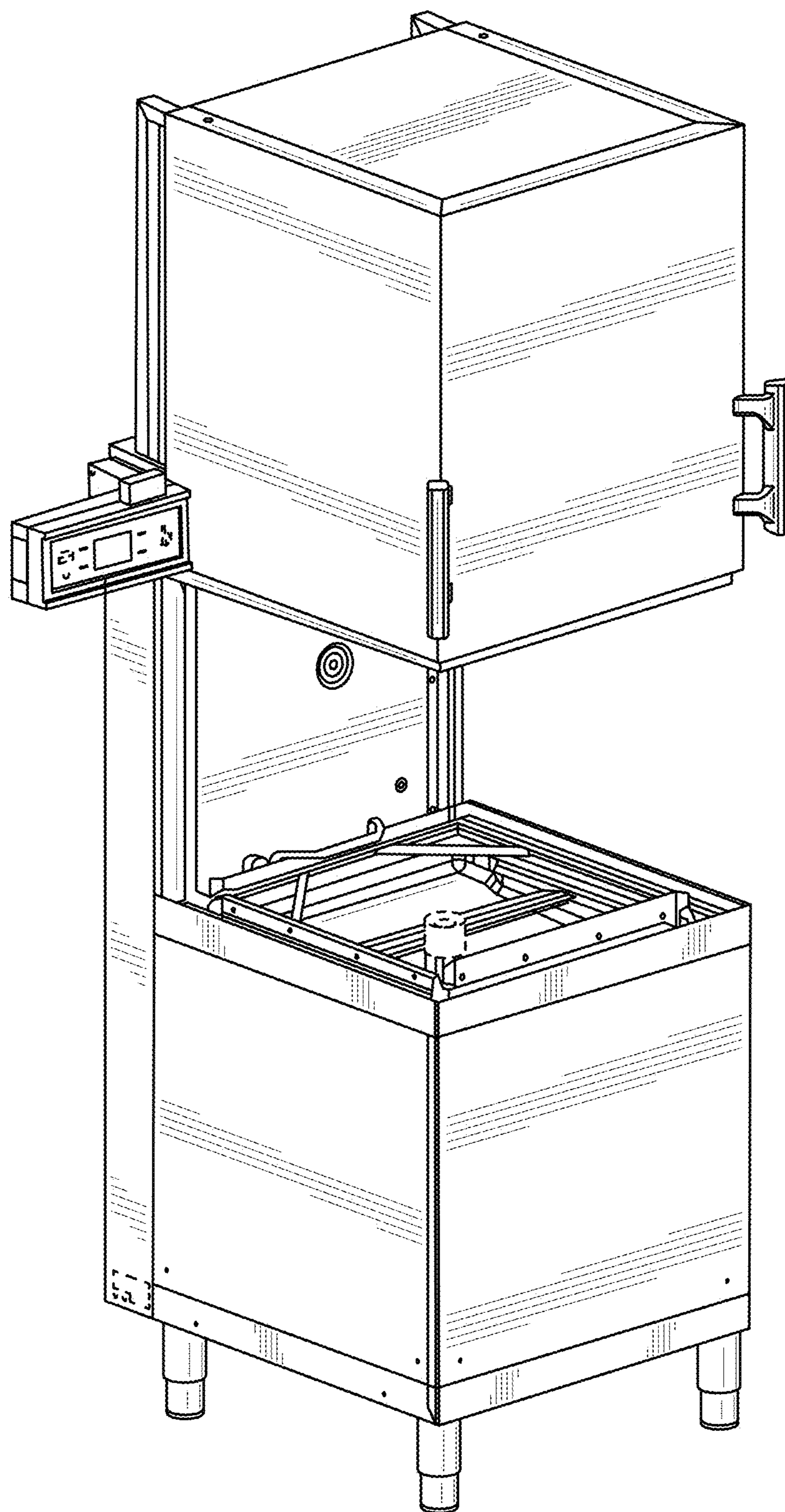


FIG. 28

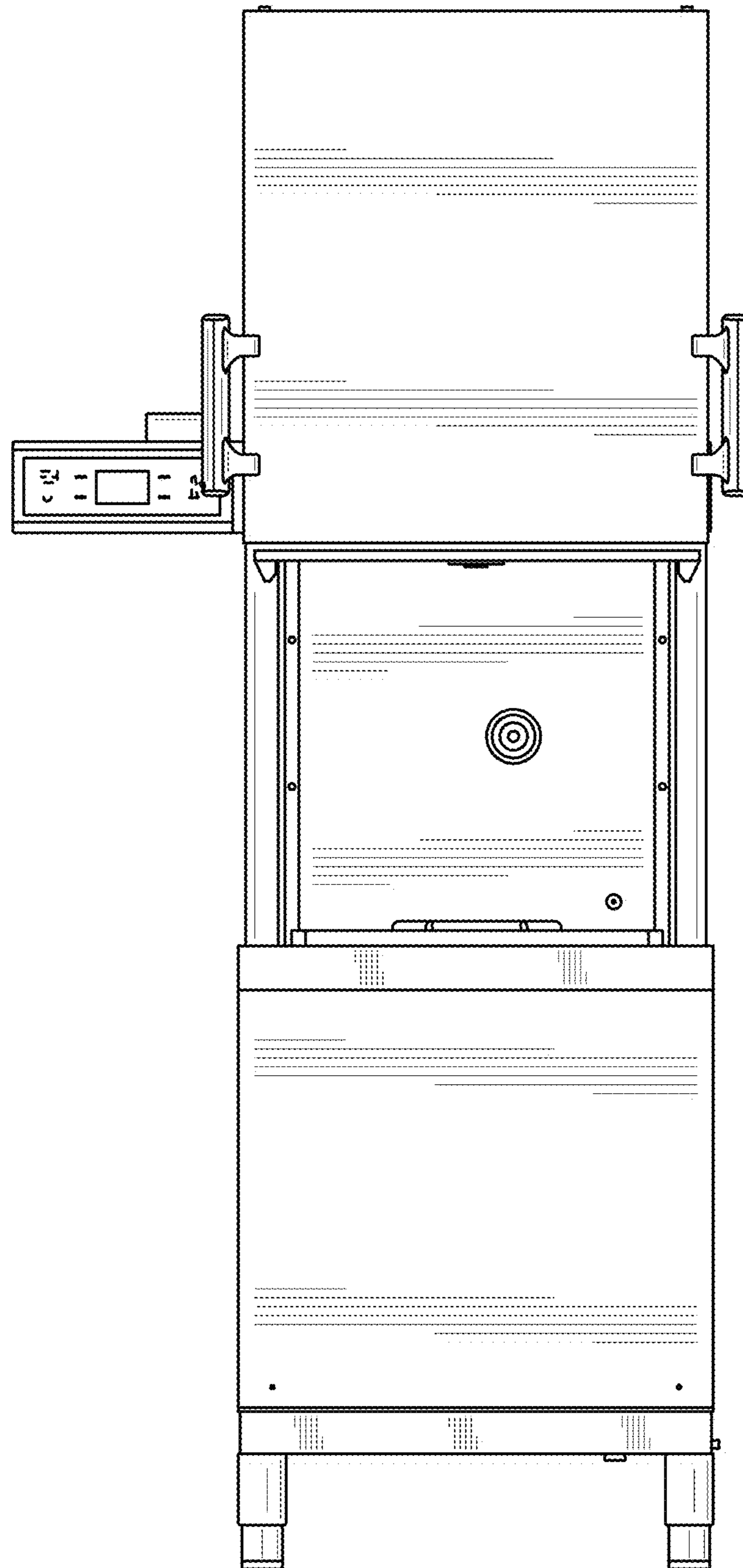


FIG. 29

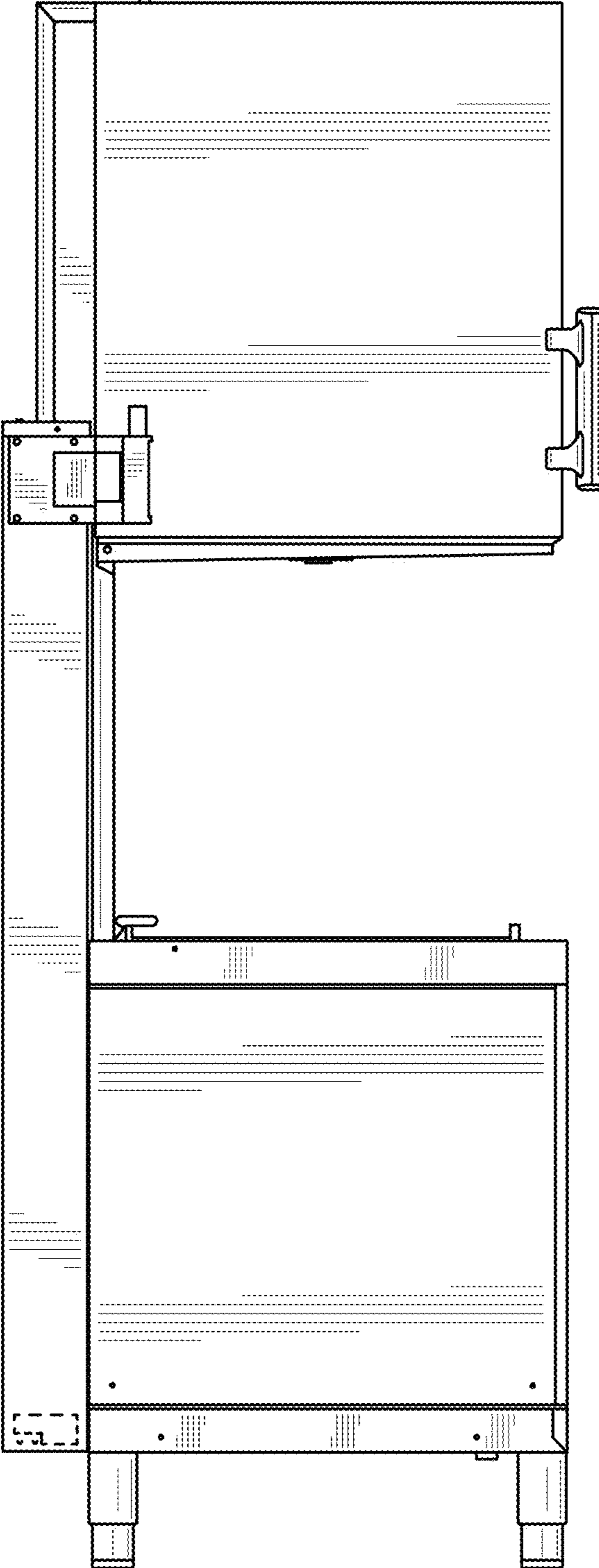


FIG. 30

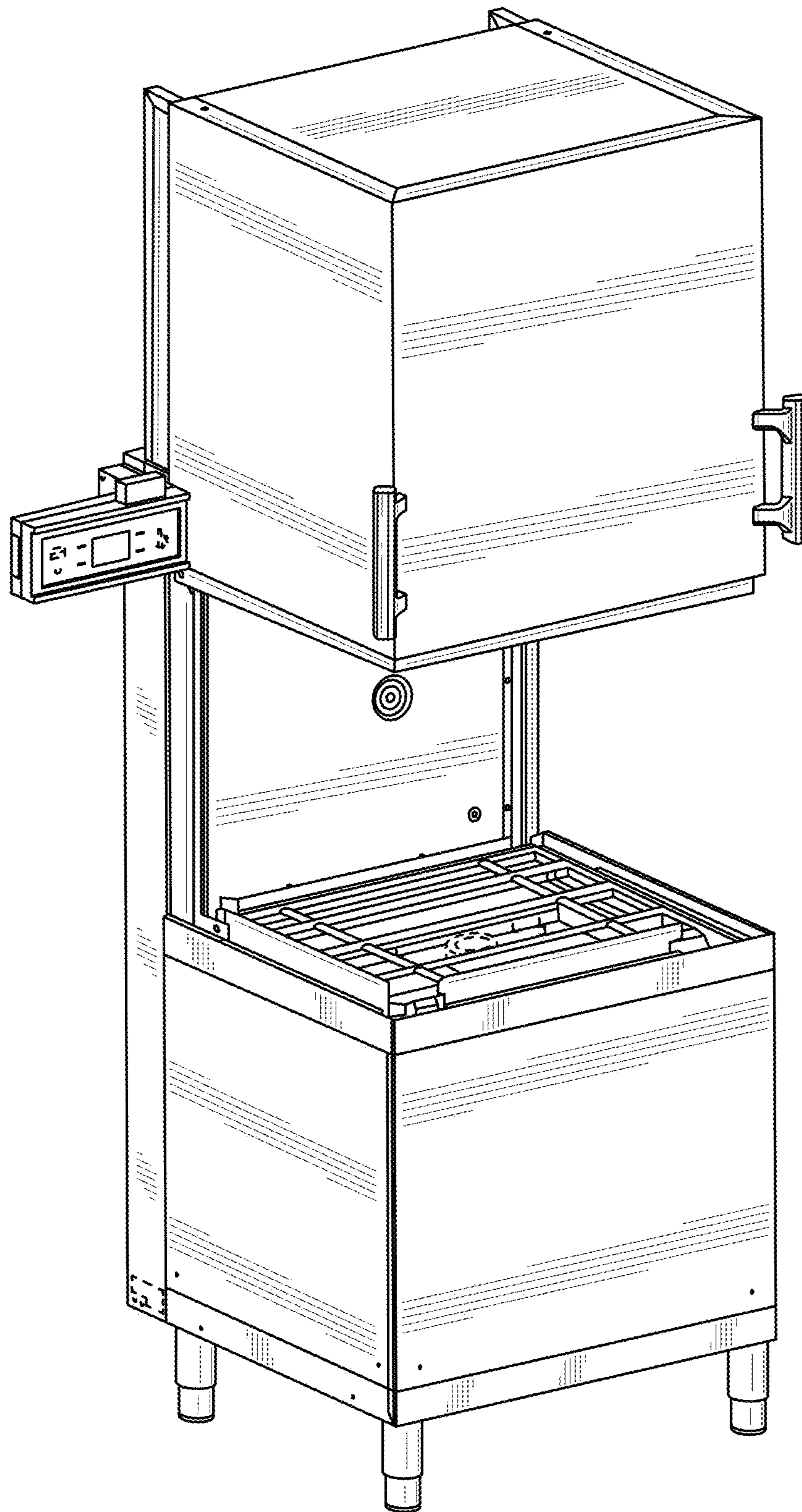


FIG. 31

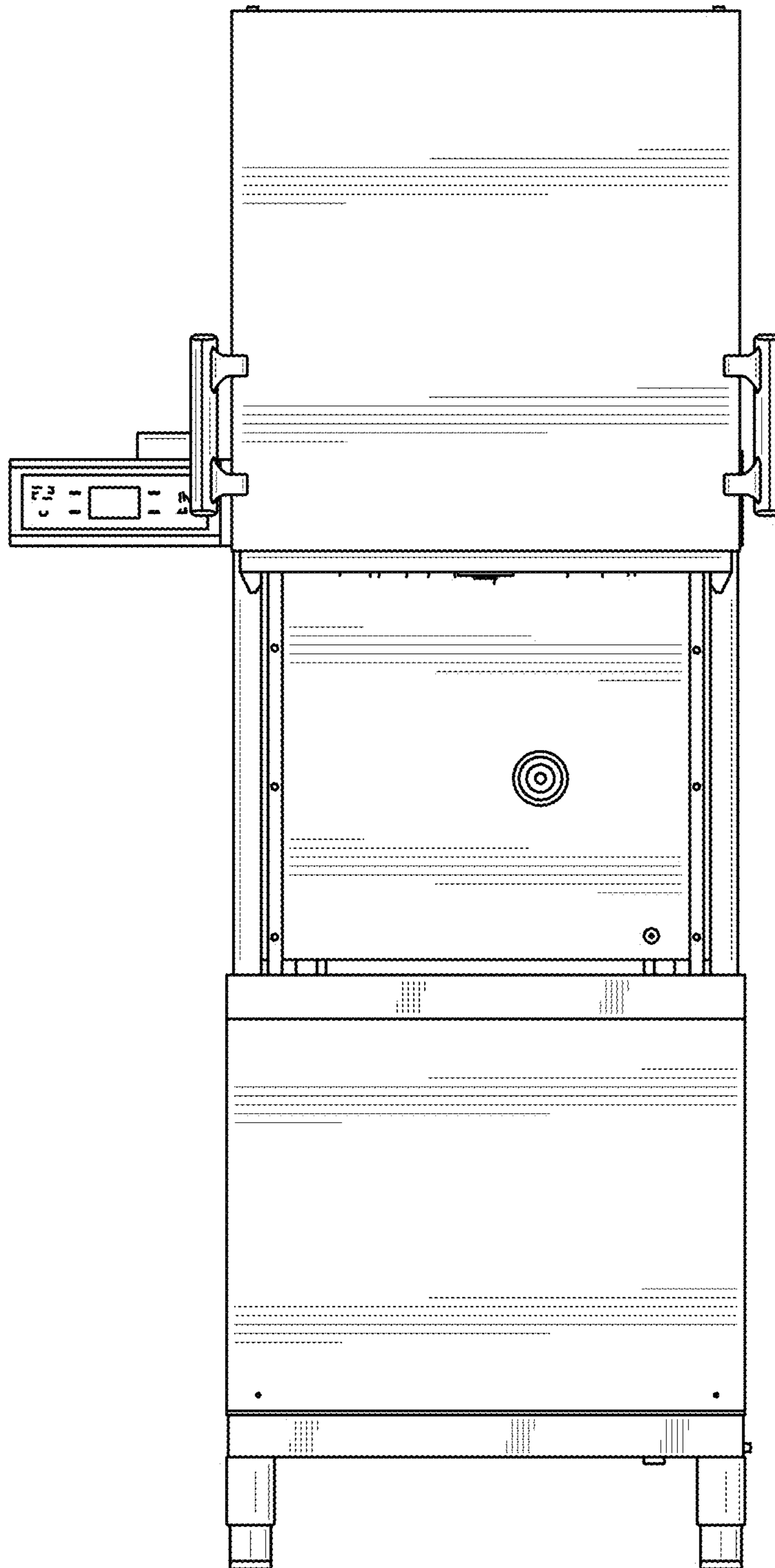


FIG. 32

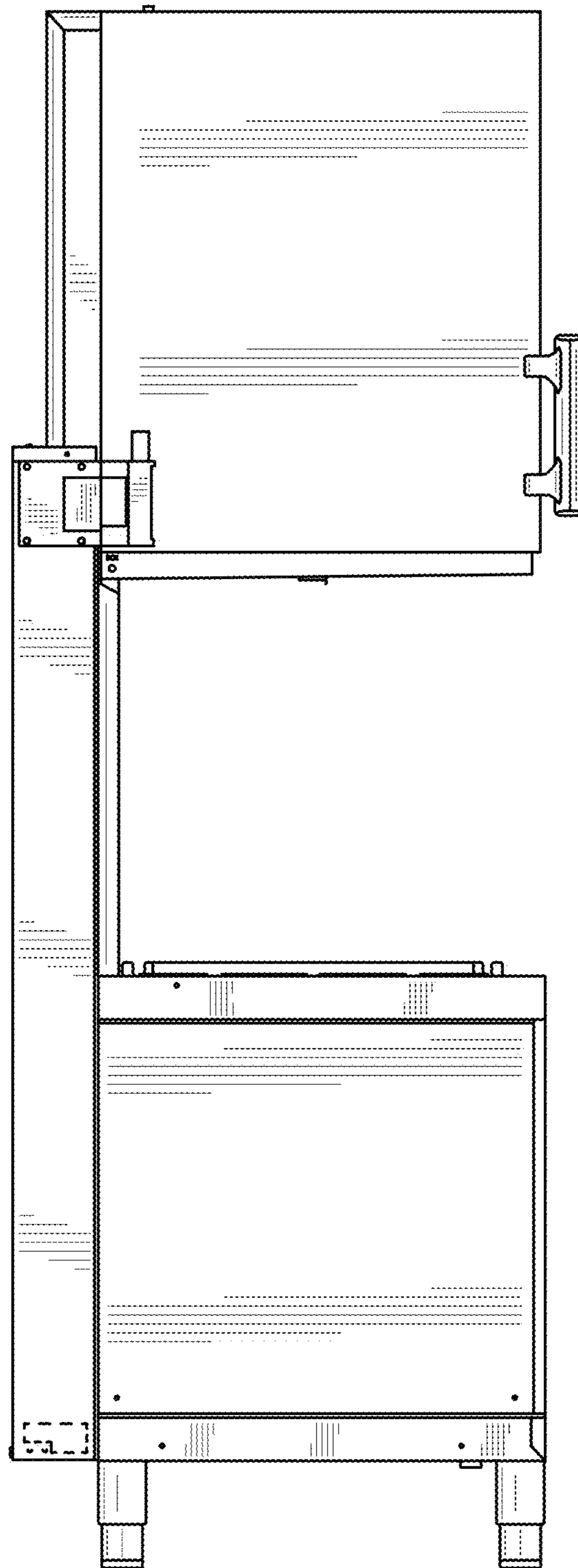


FIG. 33

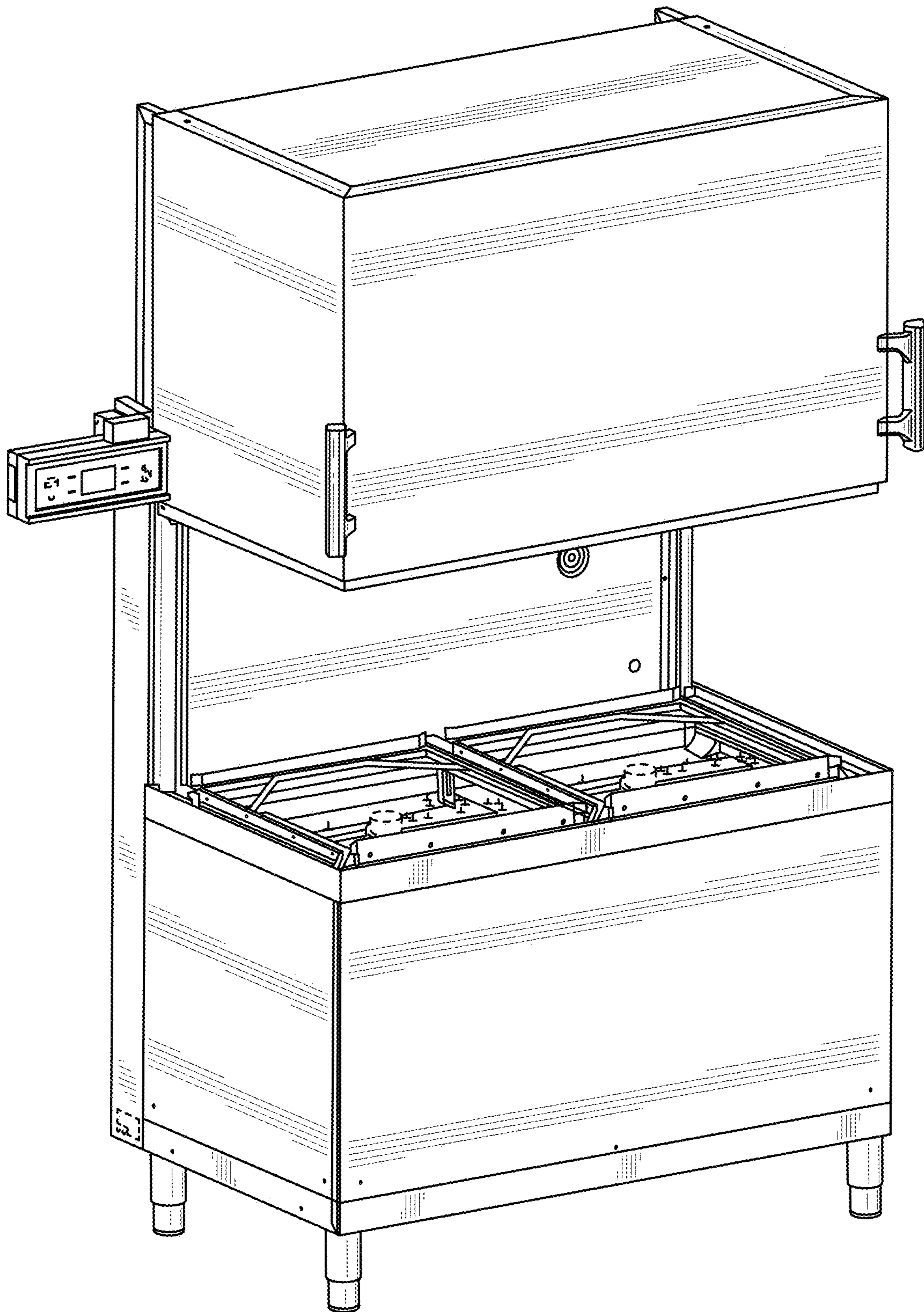


FIG. 34

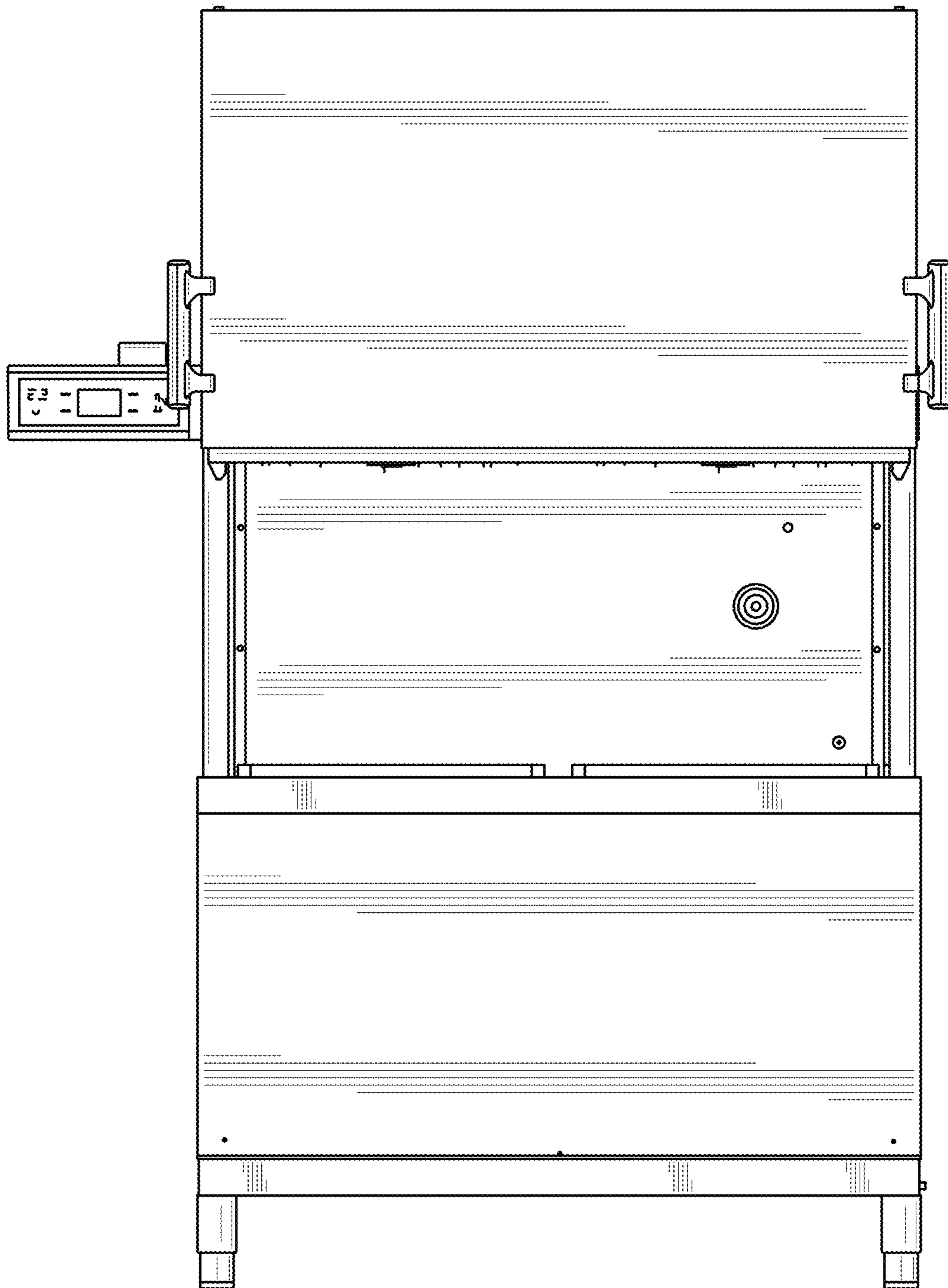


FIG. 35

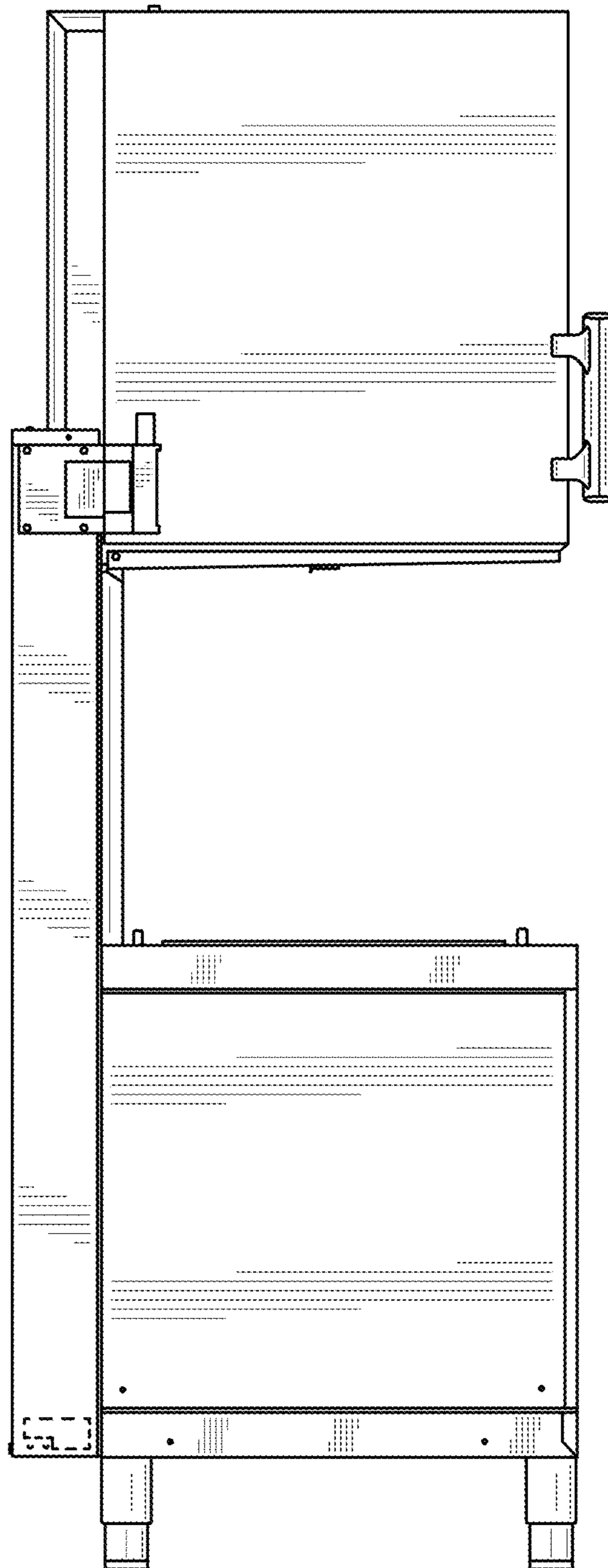


FIG. 36

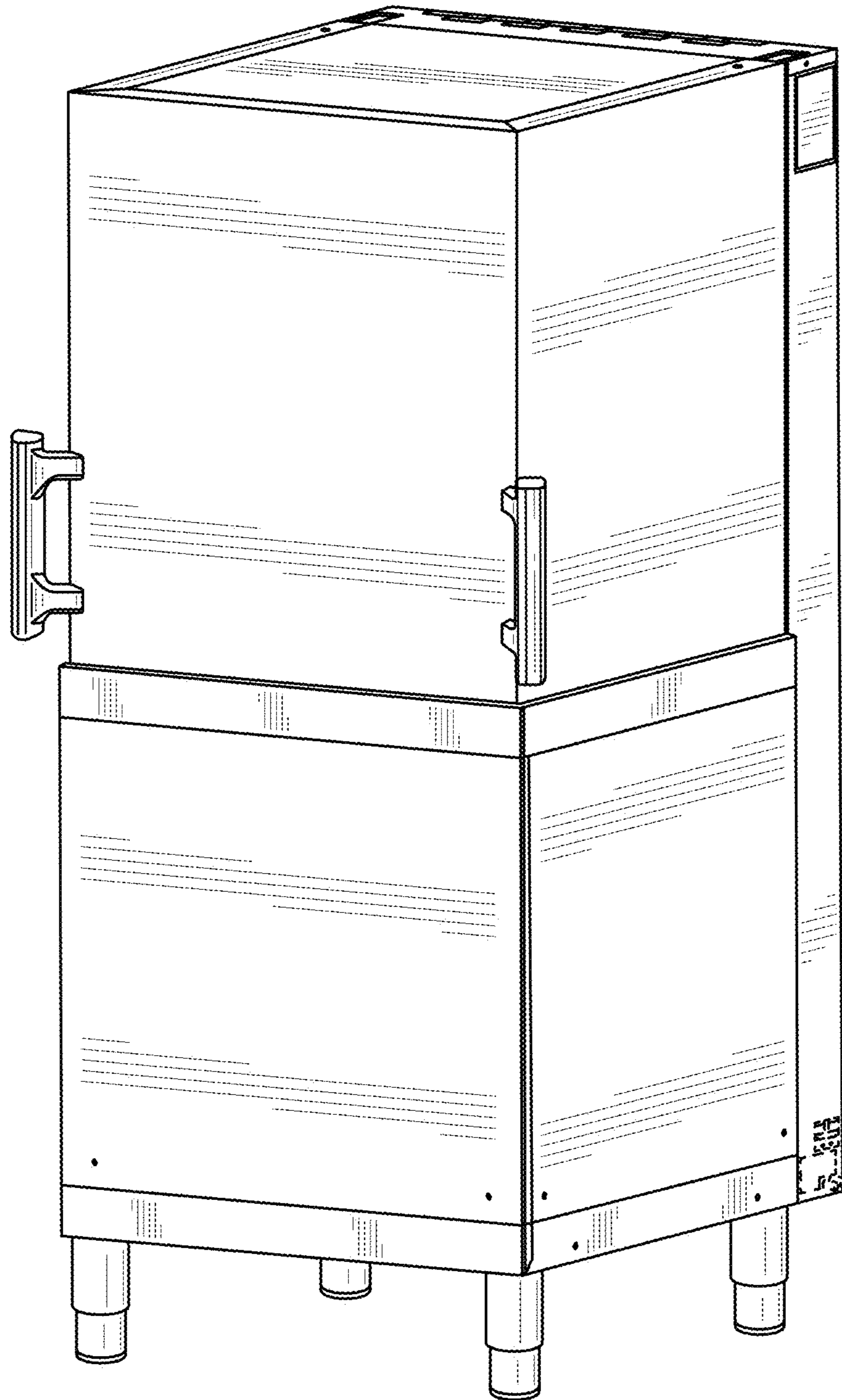


FIG. 37

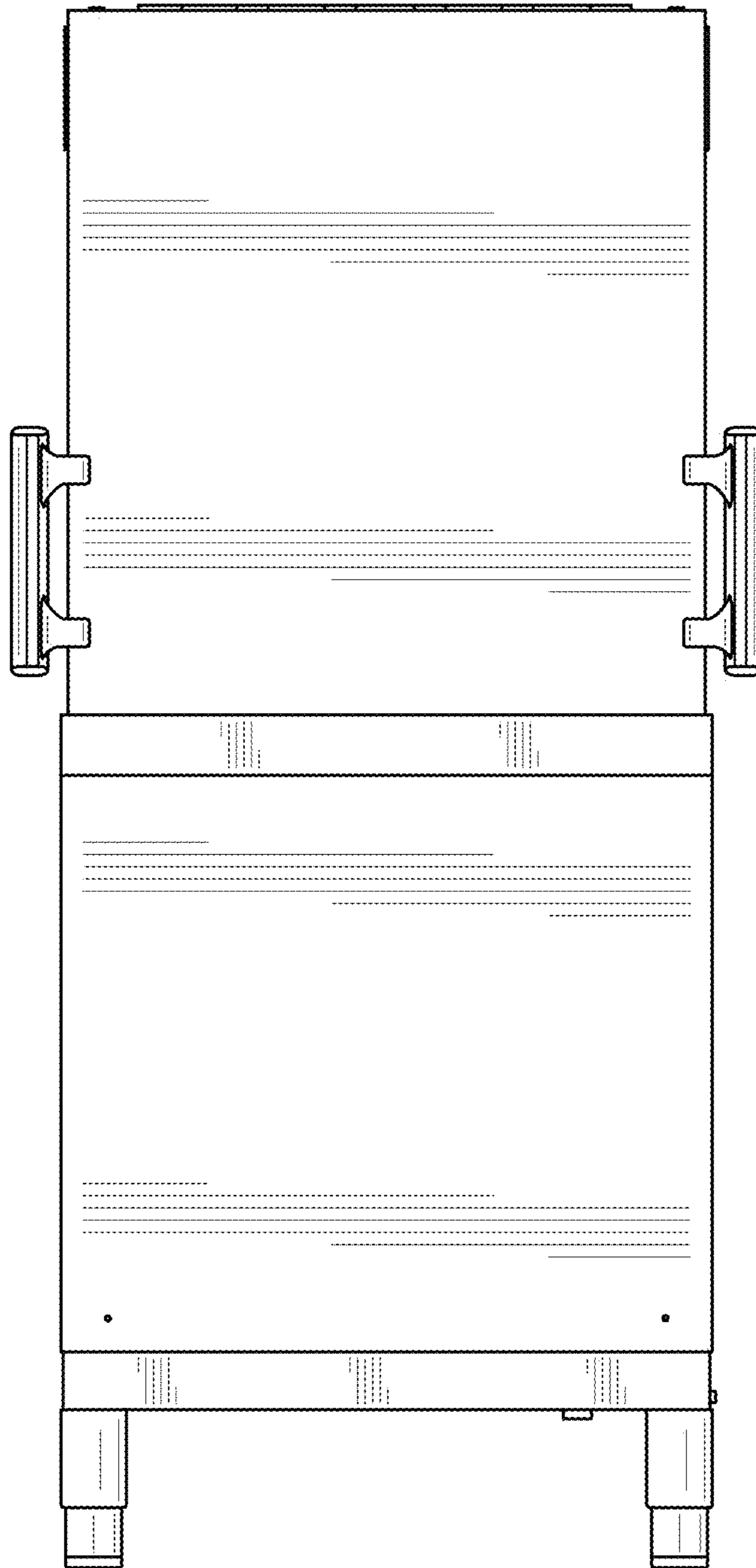


FIG. 38

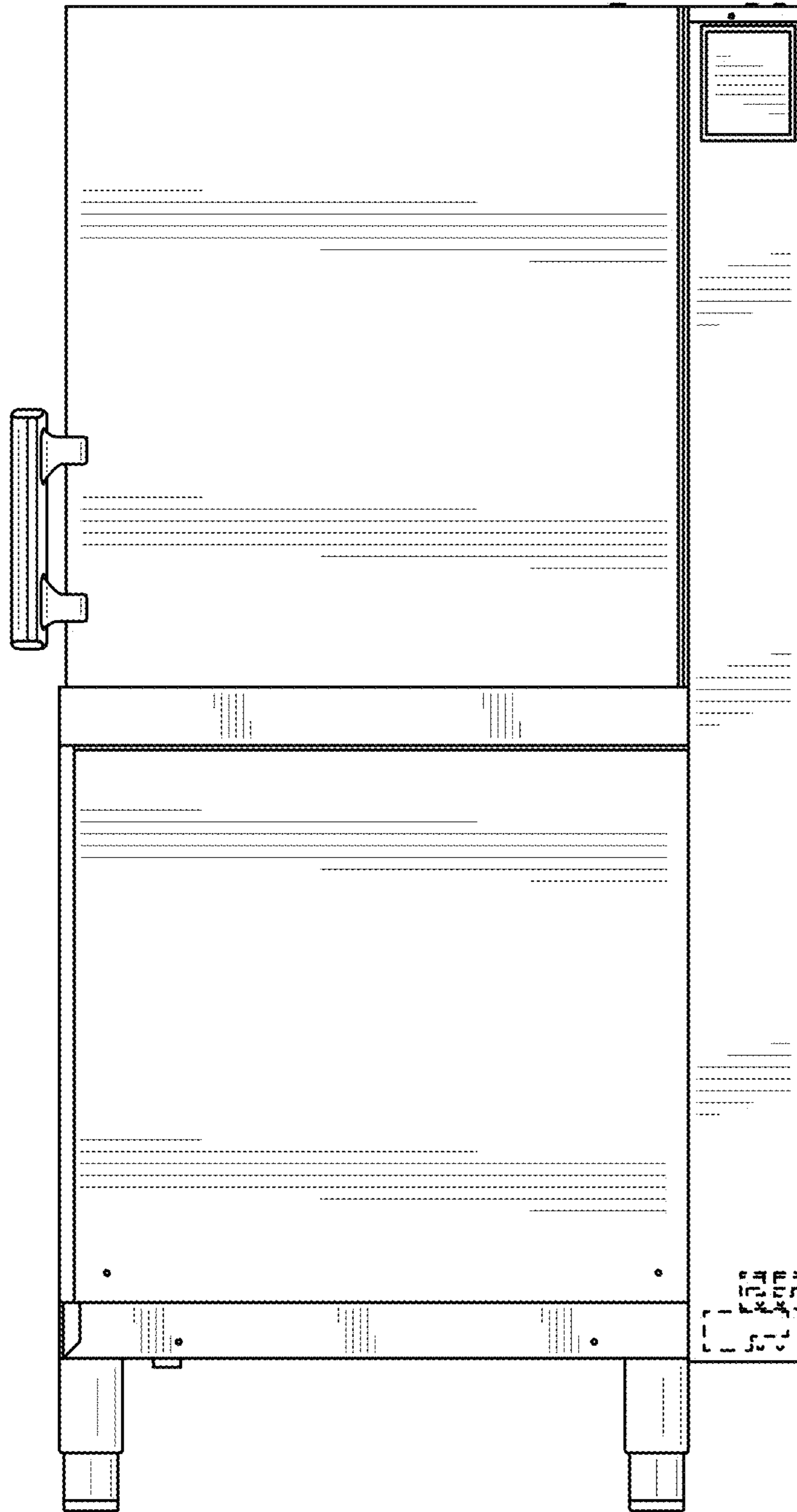


FIG. 39

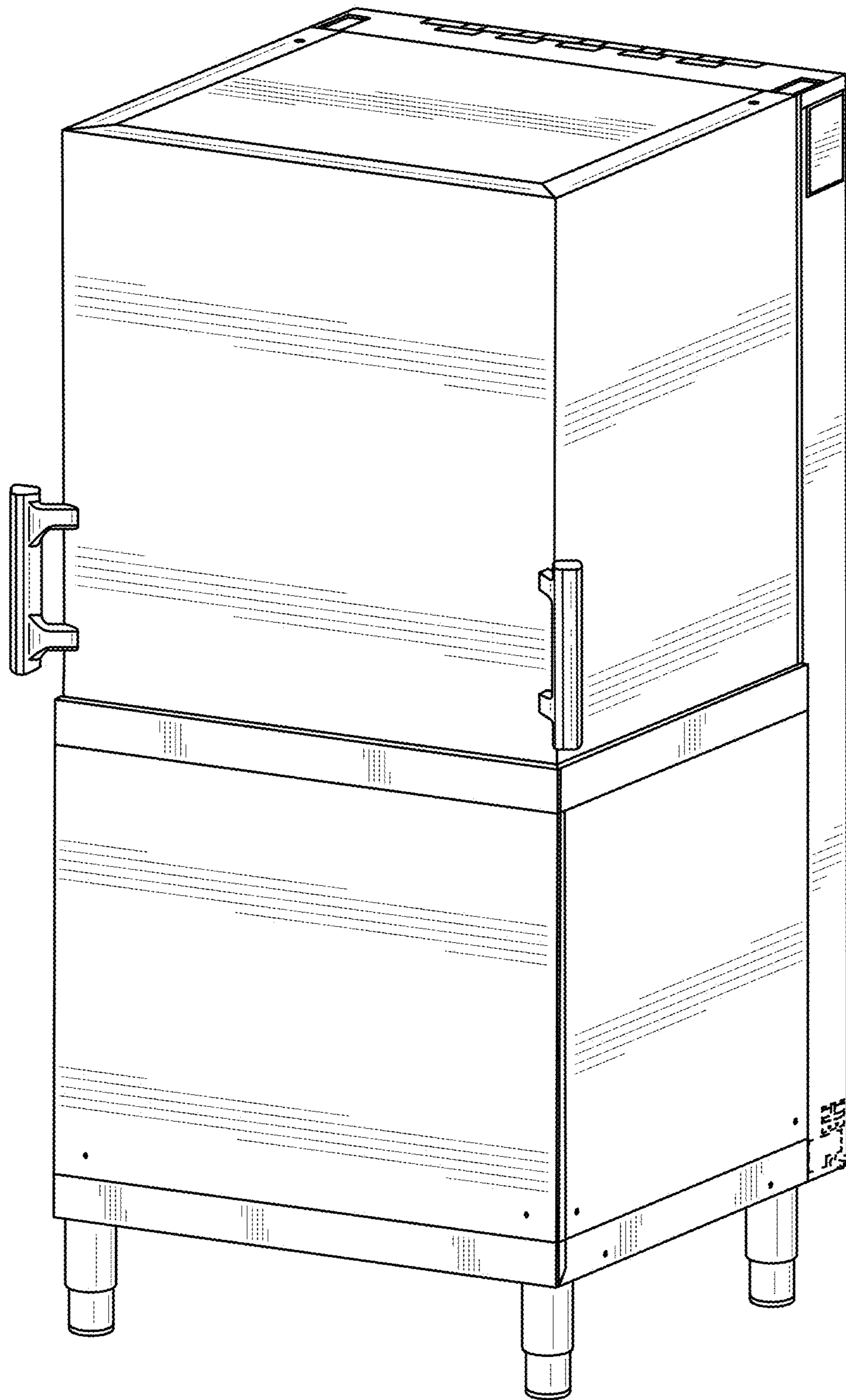


FIG. 40

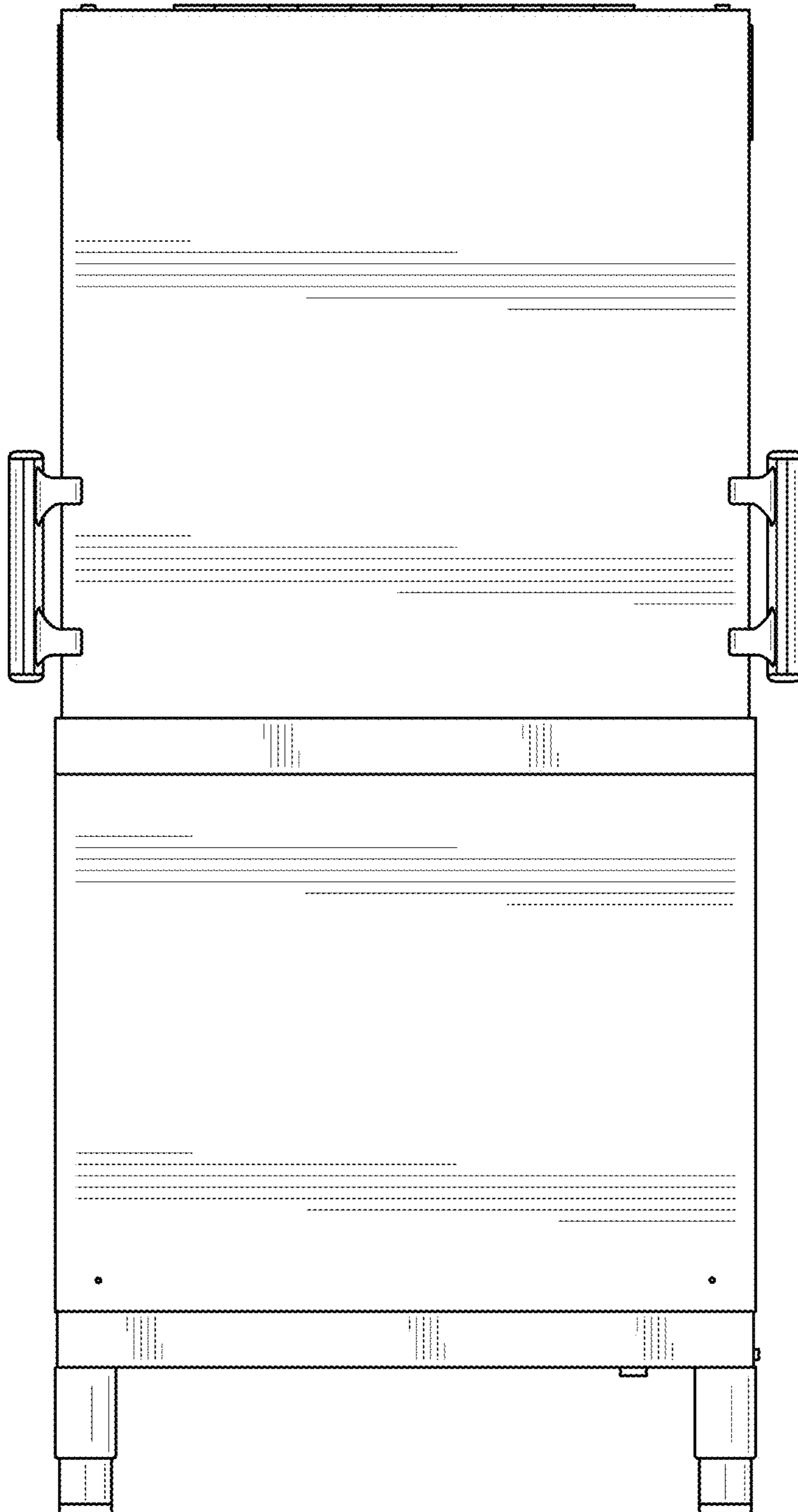


FIG. 41

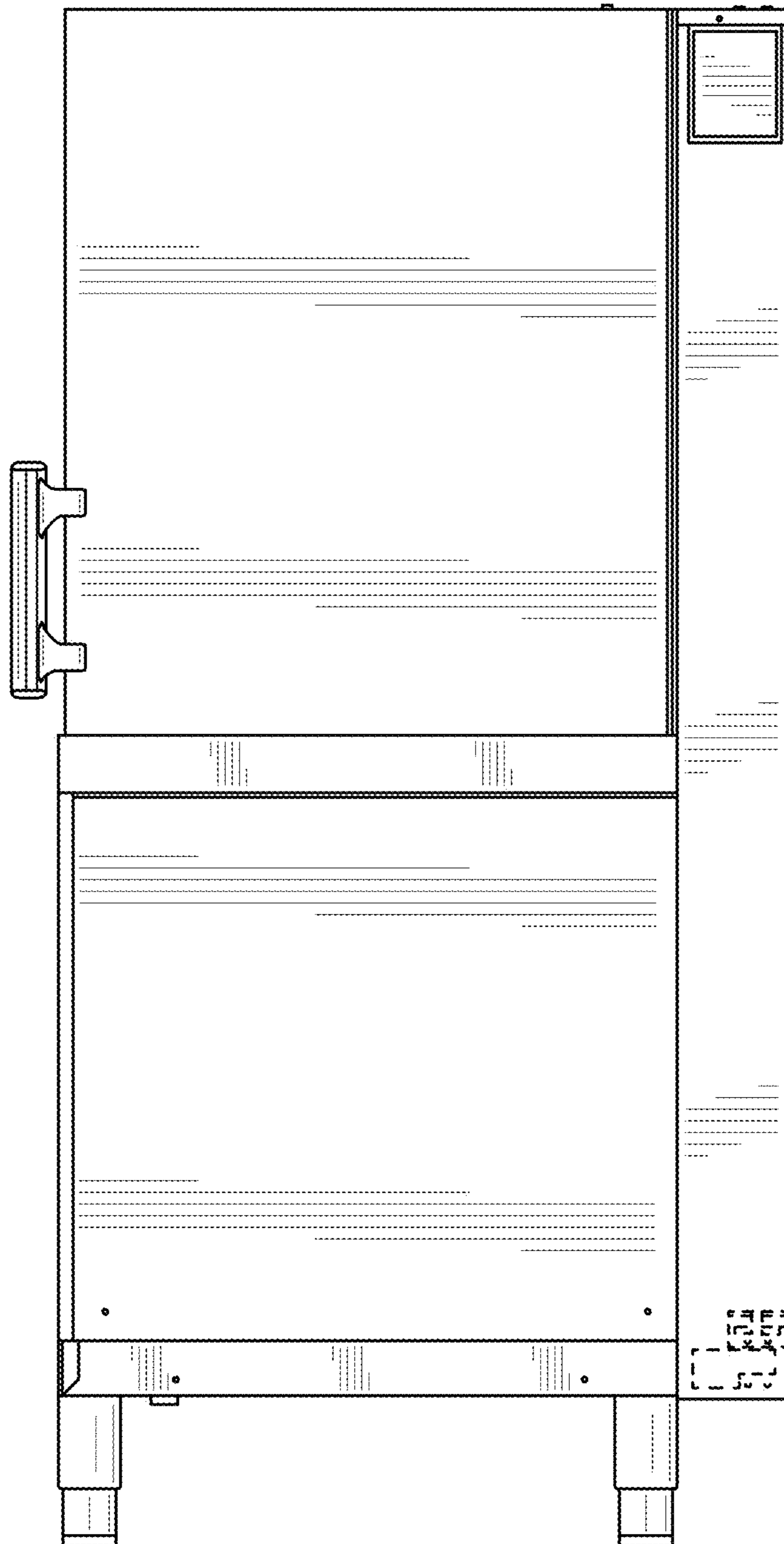


FIG. 42

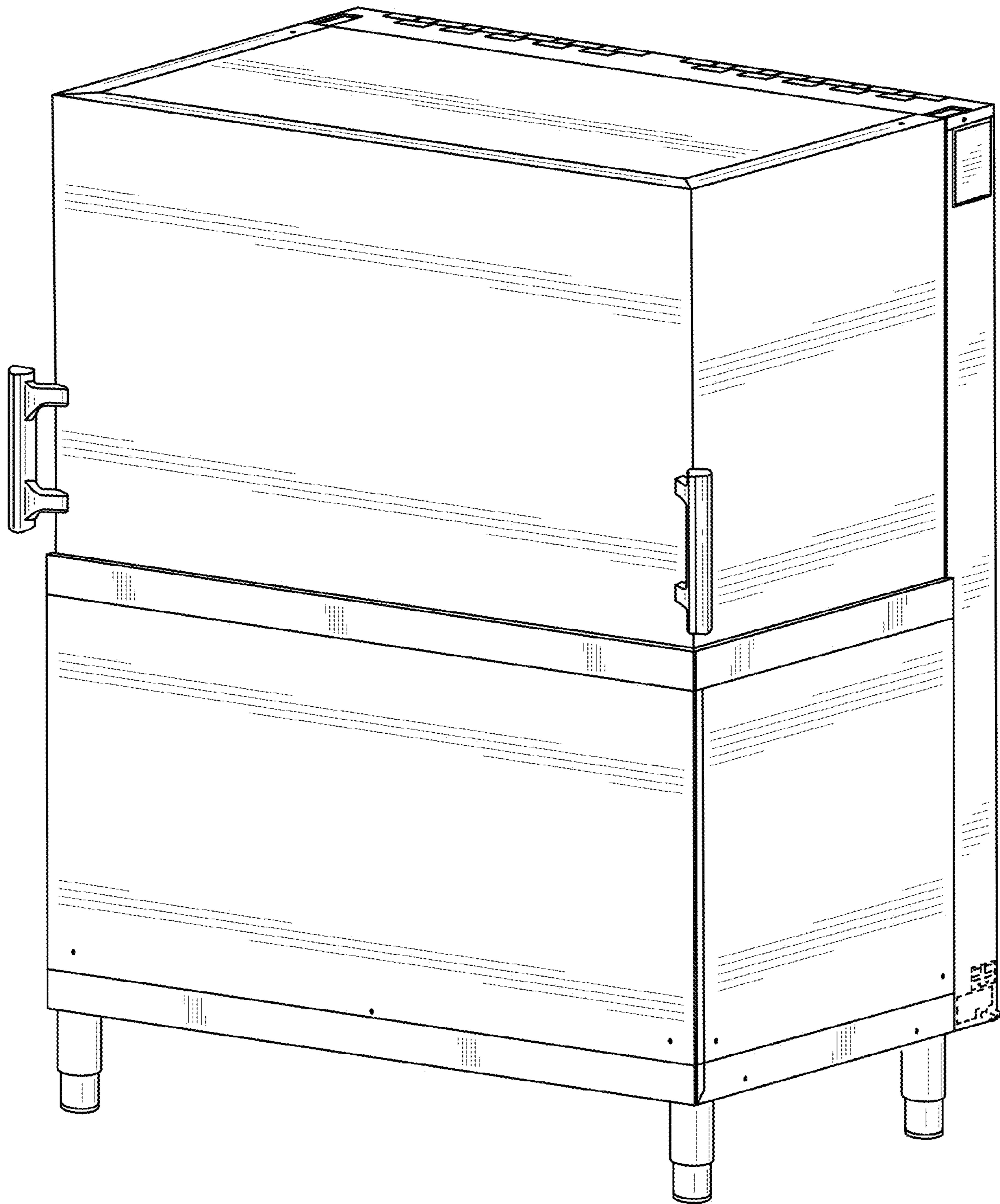


FIG. 43

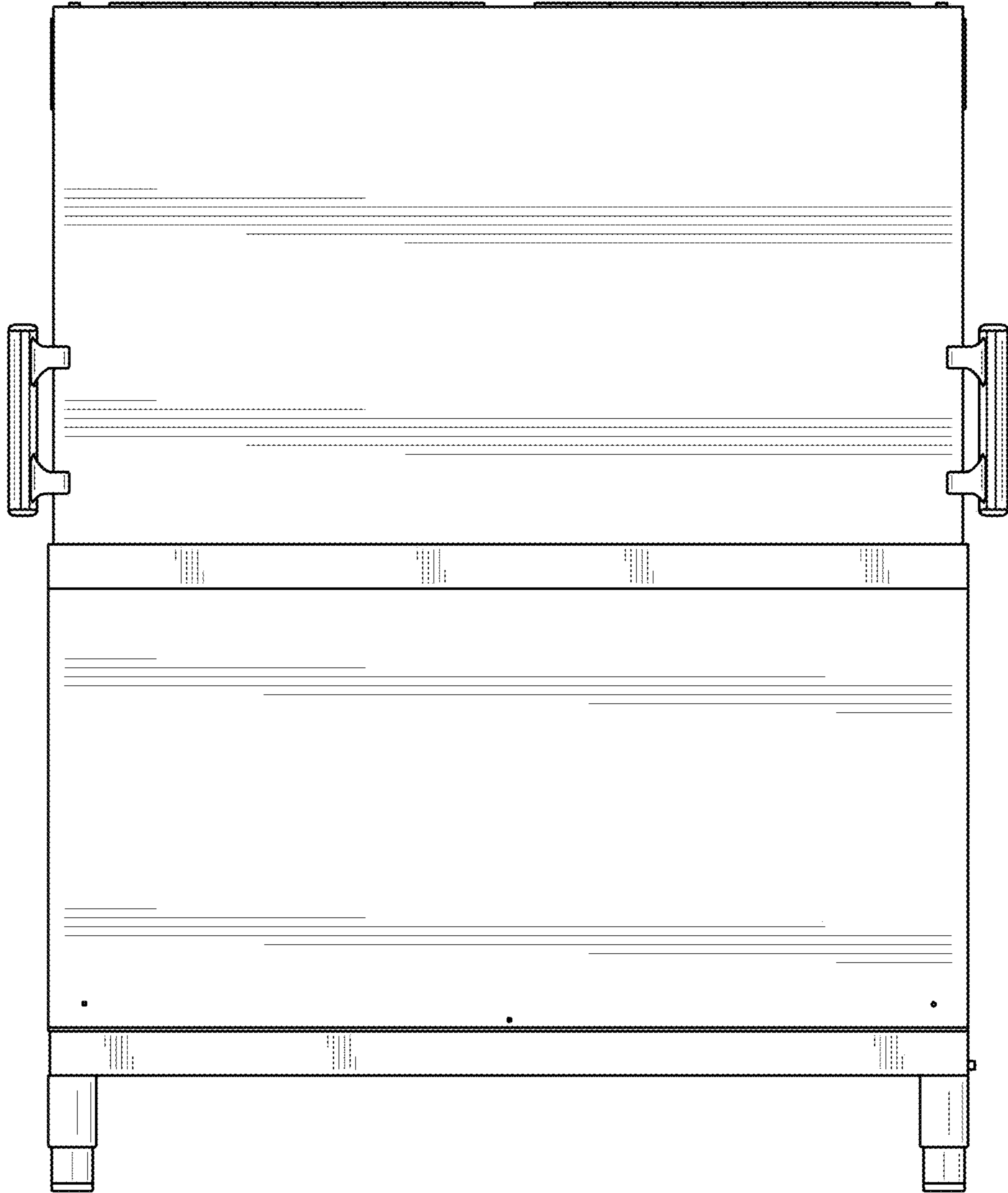


FIG. 44

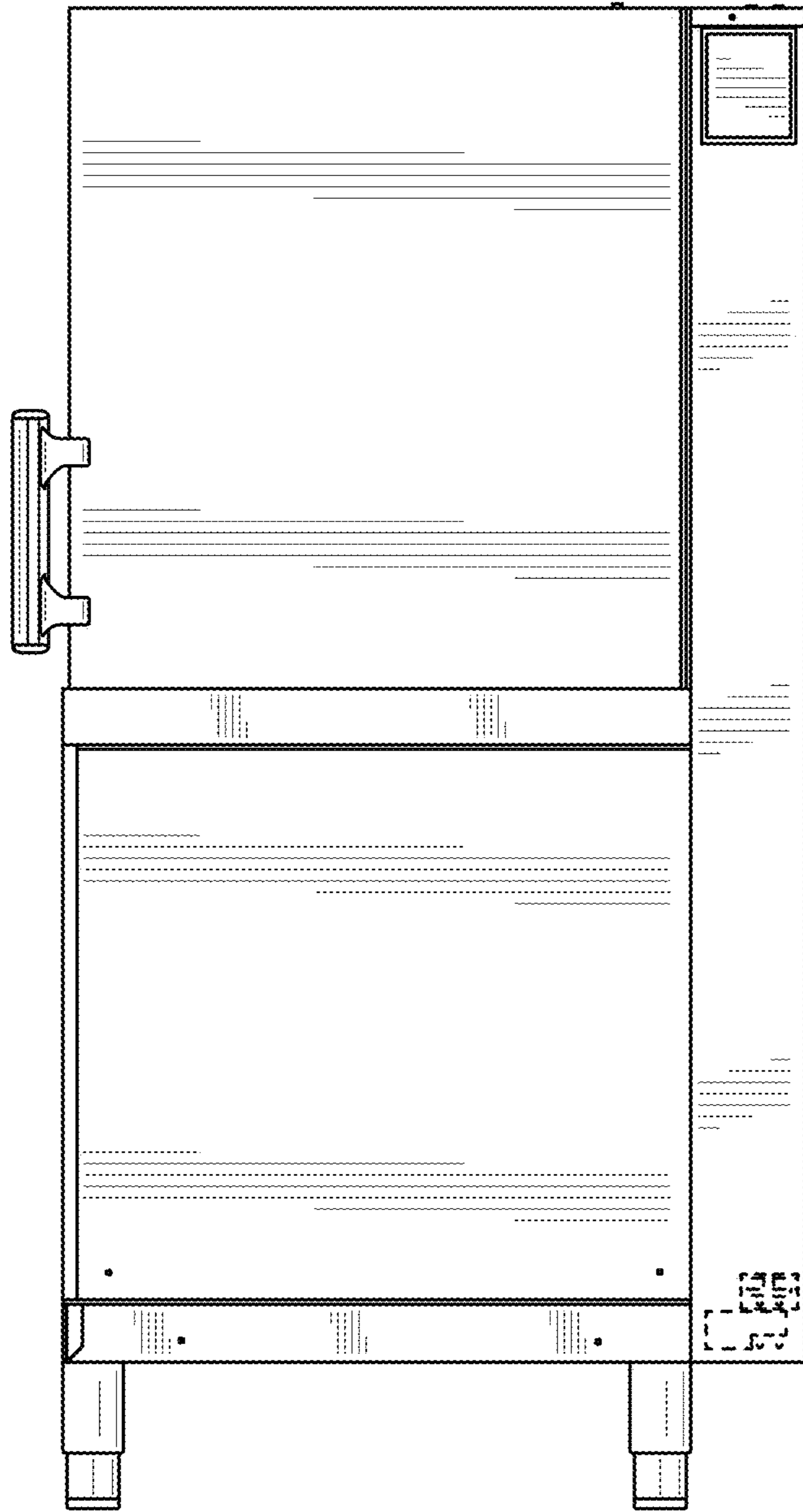


FIG. 45

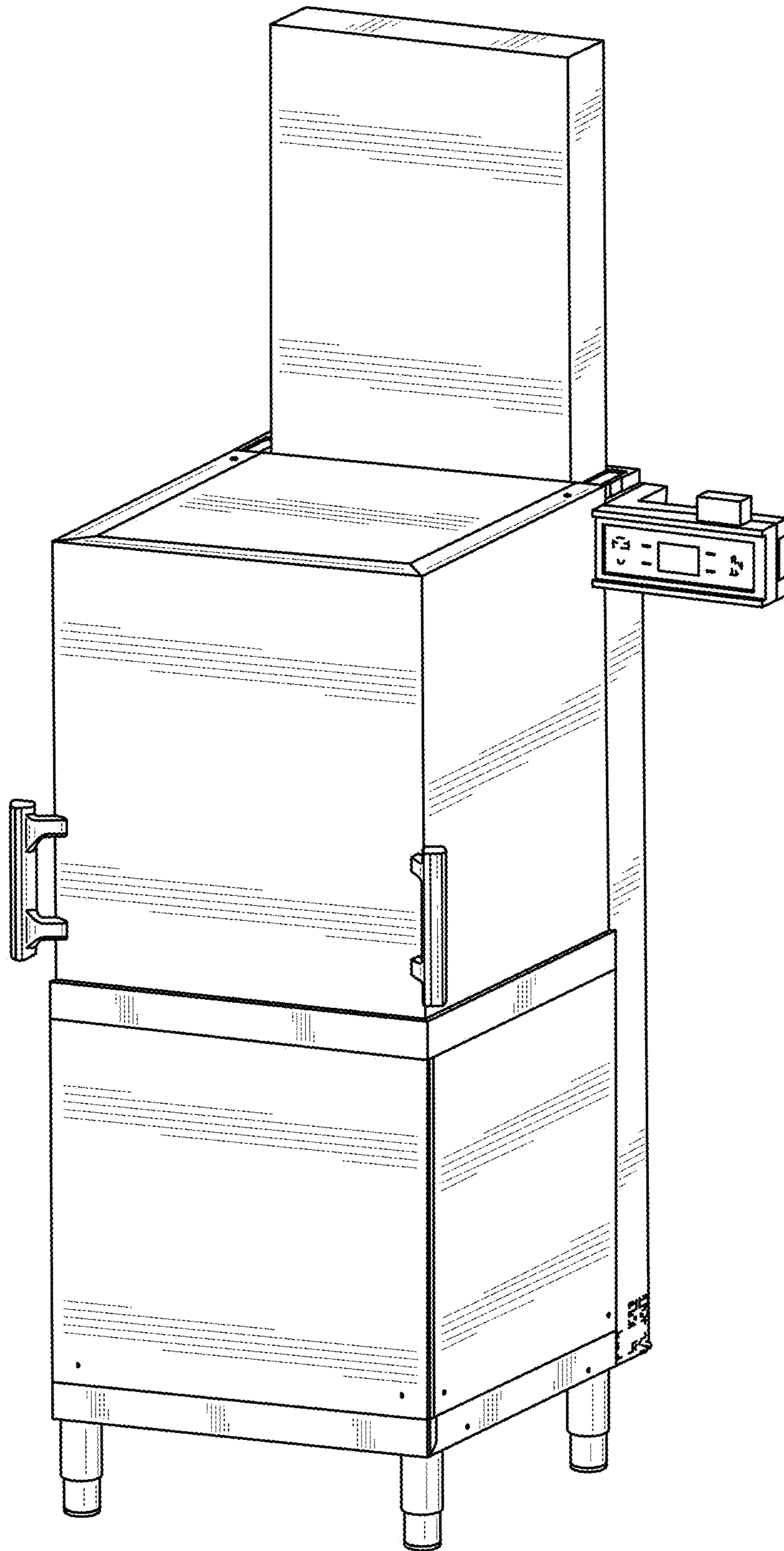


FIG. 46

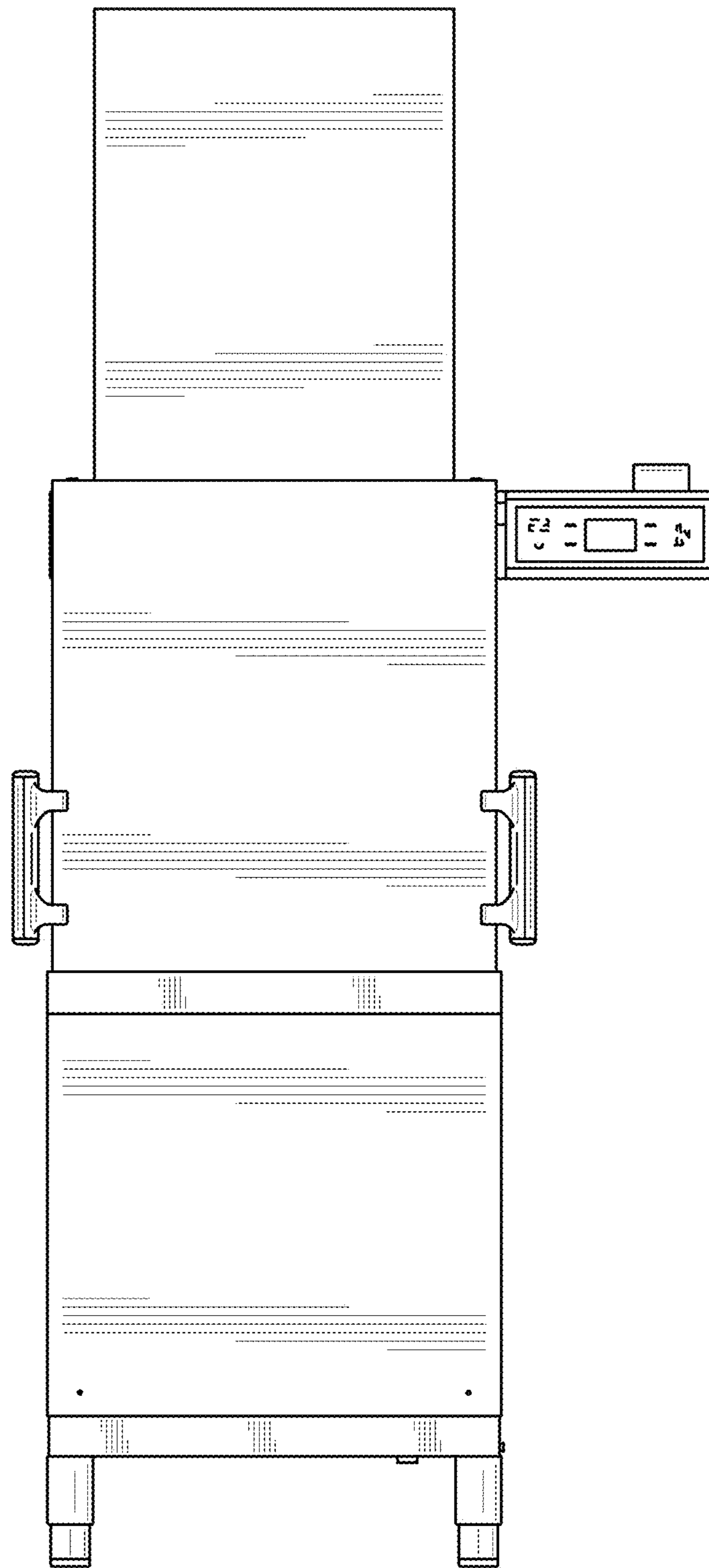


FIG. 47

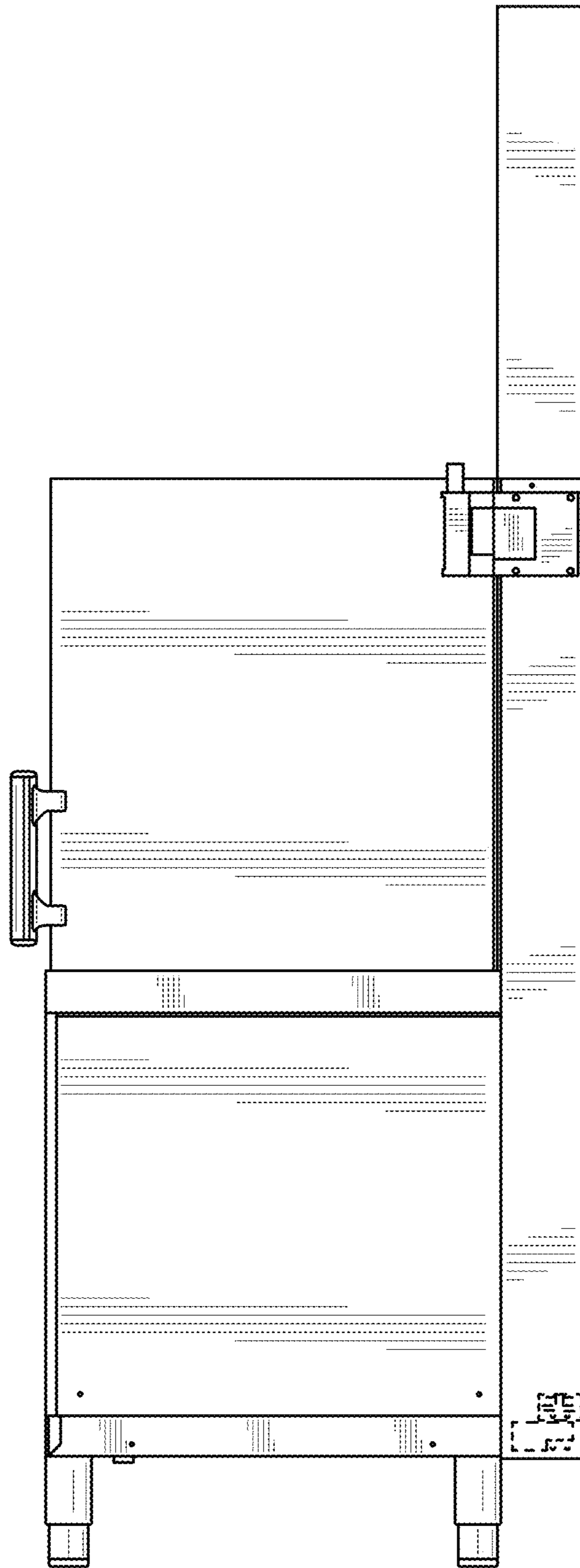


FIG. 48