



US00D884995S

(12) **United States Design Patent** (10) **Patent No.:** **US D884,995 S**
Ni (45) **Date of Patent:** **** May 19, 2020**

(54) **PET TRAINING CONTROLLER**

(71) Applicant: **SHENZHEN DOGCARE INNOVATION & TECHNOLOGY CO., LTD.**, Shenzhen, Guangdong (CN)

(72) Inventor: **Xunyang Ni**, Guangdong (CN)

(73) Assignee: **SHENZHEN DOGCARE INNOVATION & TECHNOLOGY CO., LTD.**, Shenzhen (CN)

(**) Term: **15 Years**

(21) Appl. No.: **29/669,734**

(22) Filed: **Nov. 9, 2018**

(30) **Foreign Application Priority Data**

Aug. 6, 2018 (CN) 2018 3 0430397

(51) **LOC (12) Cl.** **30-99**

(52) **U.S. Cl.**
USPC **D30/199; D10/104.1**

(58) **Field of Classification Search**

USPC D30/151-155, 144, 199, 160; 119/792-798, 850, 855-859, 863-865, 119/654, 905, 907, 815, 712, 802, 784, 119/769, 760, 776, 862, 908, 860, 119/719-721; 242/381.1-381.2, 385.4, 242/378.3, 376.1, 385.1, 916, 601, 570, 242/405, 404, 371, 223, 170, 388.1, 242/405.2, 377, 381.3, 381.6, 405.3, 242/388.6, 384.7, 382, 396.1, 404.1, 380; 362/108; 33/767, 769, 414; D12/400; D3/229, 230, 207, 208, 215; 40/1.5, 455, 40/640, 303; 206/63.3, 459.5, 702, 408; D6/515; D8/358, 360, 347, 360.1, 359, D8/356, DIG. 1; D24/145, 167, 186, 146, D24/169; D10/57, 72, 106.1, 104.1, D10/104.2, 109.2, 70, 97, 98, 78, 65,

D10/106.3; D20/28; 224/666, 678; 16/445; 283/74, 70; D11/232, 200, 216, D11/1, 2, 86, 87, 201, 206-210, 212-215, D11/218; 24/163 K, 122.3, 323, 702, 24/600.4-600.7, 163 R, 169-171, 173, 24/177-179, 191, 194, 195, 197, 200, (Continued)

(56) **References Cited**

U.S. PATENT DOCUMENTS

6,598,563 B2 * 7/2003 Kim A01K 15/021 119/719
D564,998 S * 3/2008 Tran D14/137
(Continued)

Primary Examiner — Susan Moon Lee

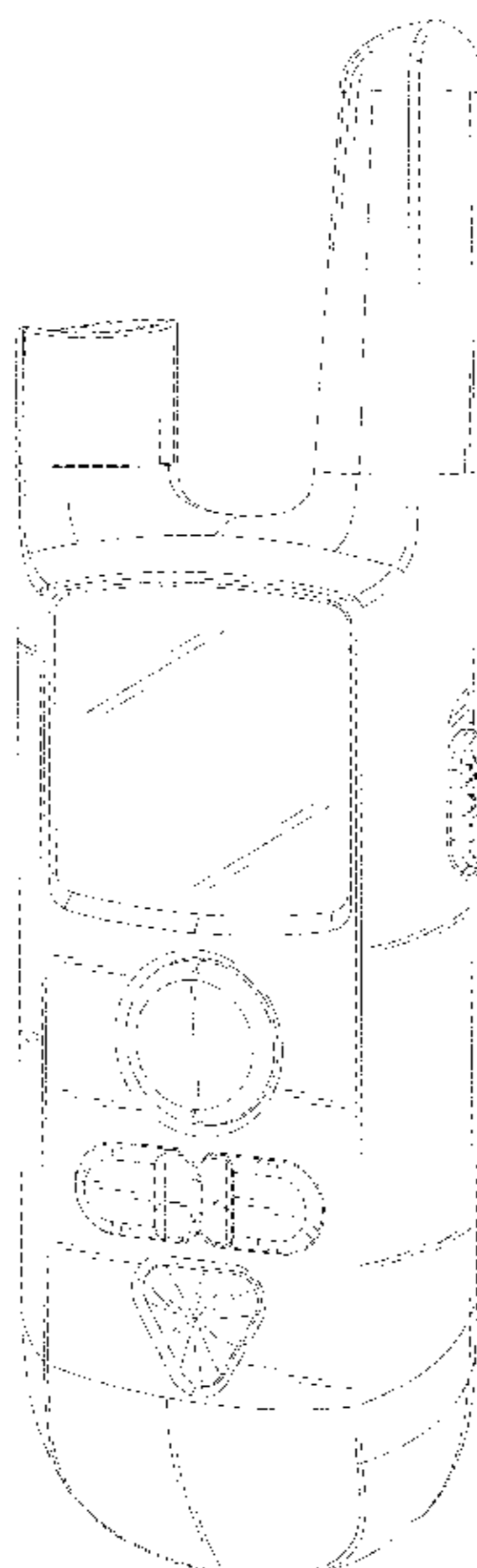
(57) **CLAIM**

The ornamental design for a pet training controller, as shown and described.

DESCRIPTION

FIG. 1 is a front elevational view of a pet training controller showing my new design;
FIG. 2 is a rear elevational view thereof;
FIG. 3 is a left side view thereof;
FIG. 4 is a right side view thereof;
FIG. 5 is a top plan view thereof;
FIG. 6 is a bottom plan view thereof;
FIG. 7 is a top, front and right side perspective view thereof; and,
FIG. 8 is a top, rear and left side perspective view thereof. The broken lines in the drawings illustrate portions of the pet training controller which form no part of the claimed design. The oblique shade lines in the drawings represent reflective surfaces.

1 Claim, 8 Drawing Sheets



(58) **Field of Classification Search**

USPC 24/303, 616, 635, 313, 615, 3, 6, 3 K,
24/599.2, 96, 221, 237, 311, 312, 314,
24/321, 338, 339, 309; 428/3, 4; 54/76,
54/1, 71; 63/29.1, 3; 191/12.2 R, 12.4;
D13/154, 153, 137.4, 155, 103, 168;
D19/69, 67; 379/438; 446/26; 473/576;
D22/140; 174/135; 439/504, 13, 501;
D34/33; 188/83, 82.1, 65.1;
254/134.3 FT; D29/124; D2/627, 624,
D2/633, 625; 132/145, 146, 148; 2/314;
59/79.1; 340/573.3, 573.1, 573, 573.4,
340/539.13-539.19; 343/895;
278/8 AES; 231/7; D14/344, 341, 137,
D14/155, 496, 203.5, 203.3, 144, 218,
D14/188, 216, 192, 226, 159;
342/357.51, 357.57, 357.52, 357.55;
455/100, 352, 456.1, 550.1; 315/291
CPC A01K 15/021; A01K 15/02; A01K 15/022;
A01K 15/023; A01K 15/029; A01K
15/04; A01K 15/00; A01K 15/006; A01K
12/022; A01K 27/009; A01K 27/00;
A01K 27/001; A01K 27/006-008; A01K

29/005; A01K 29/00; A01K 11/008;
A61B 5/0002-0028; A61B 5/681; A61B
5/6822; A61B 5/6824; A61B 5/6829;
G01S 5/0294

See application file for complete search history.

(56)

References Cited

U.S. PATENT DOCUMENTS

D576,128 S * 9/2008 Tran D14/137
D637,174 S * 5/2011 Elkerbout D14/159
D794,587 S * 8/2017 Page D14/137
D805,701 S * 12/2017 Li D30/199
D813,473 S * 3/2018 Ni D30/199
D820,128 S * 6/2018 Wong D10/78
D831,601 S * 10/2018 Ooi D14/137
2008/0036610 A1* 2/2008 Hokuf A01K 11/008
340/573.3
2013/0287213 A1* 10/2013 Sekiyama H03G 3/20
381/55
2014/0232541 A1* 8/2014 Trenkle G08B 25/10
340/539.13
2014/0261233 A1* 9/2014 So A01K 27/009
119/720

* cited by examiner

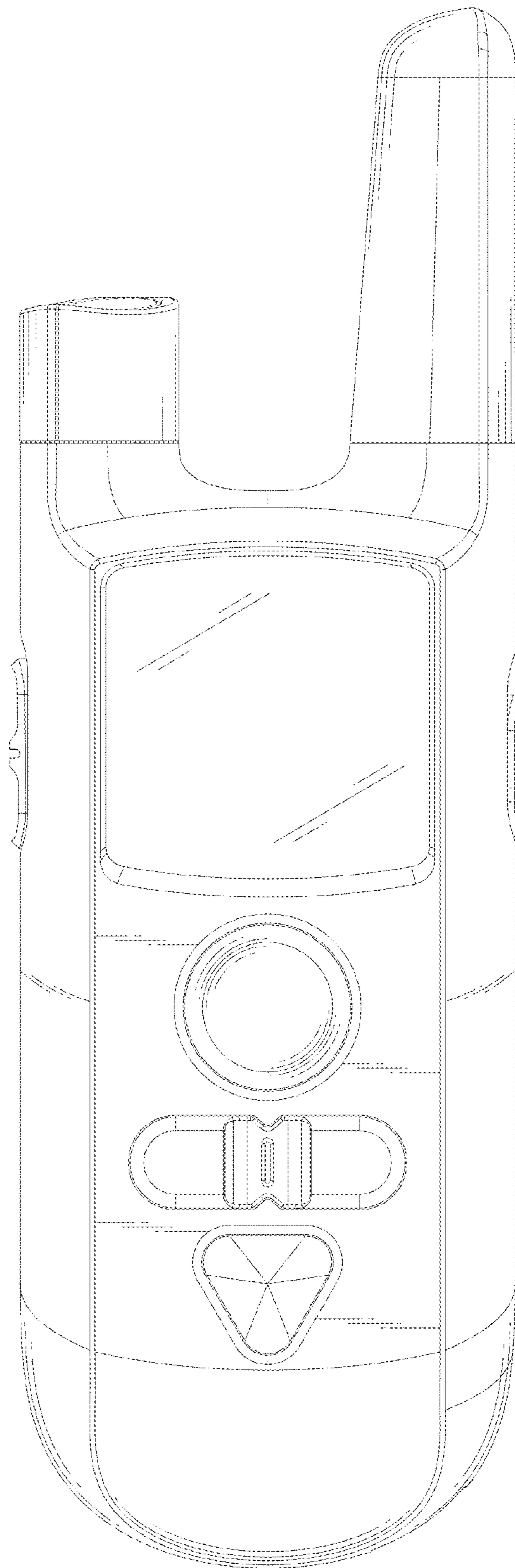


Fig. 1

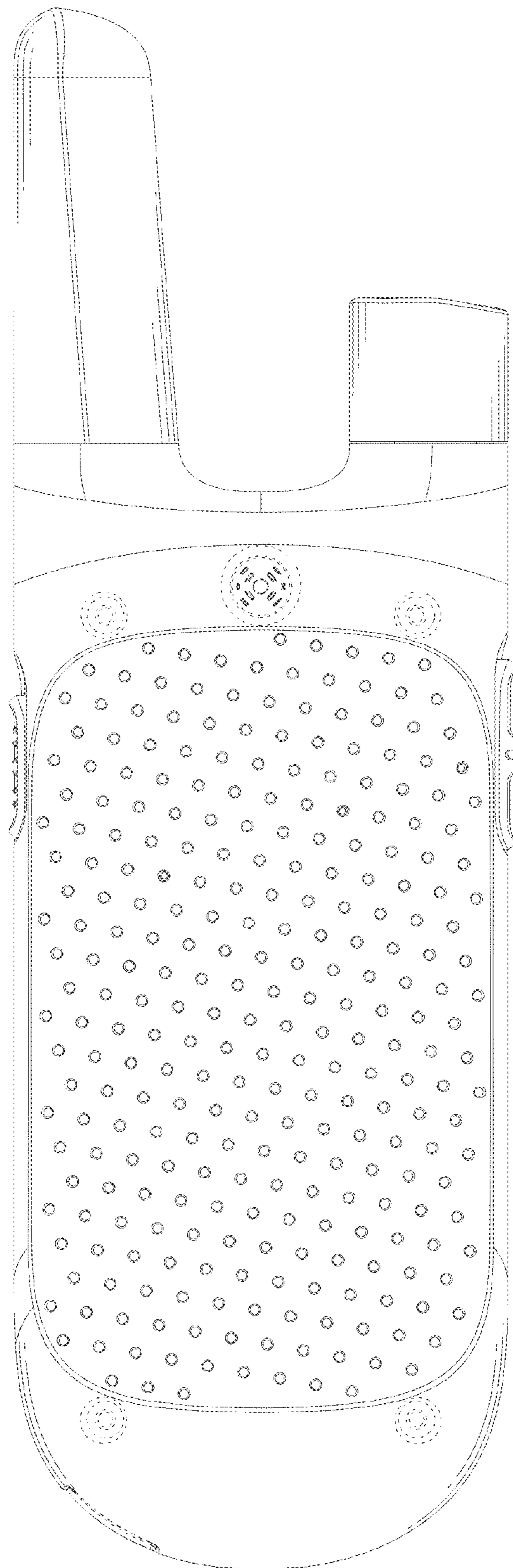


Fig. 2

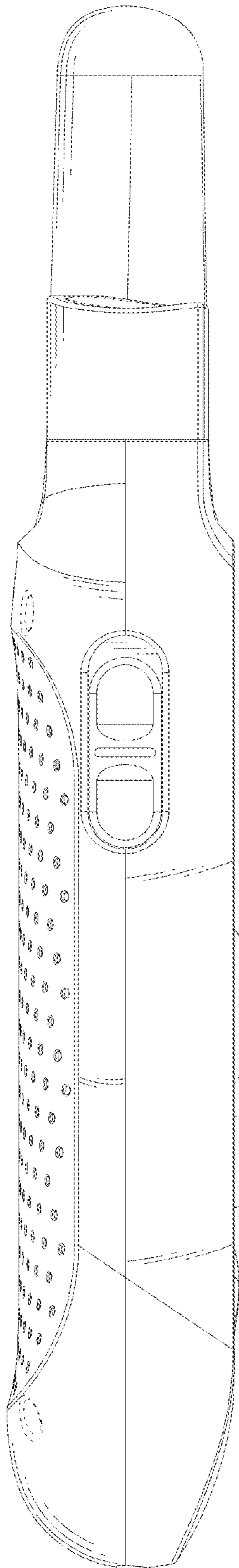


Fig.3

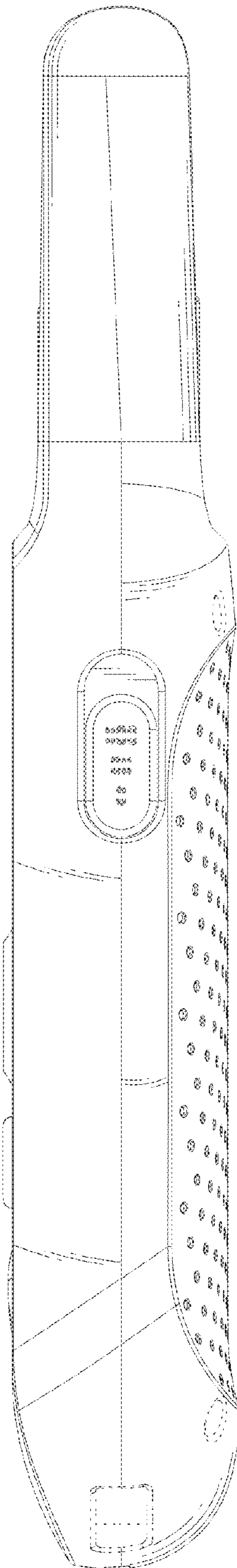


Fig. 4

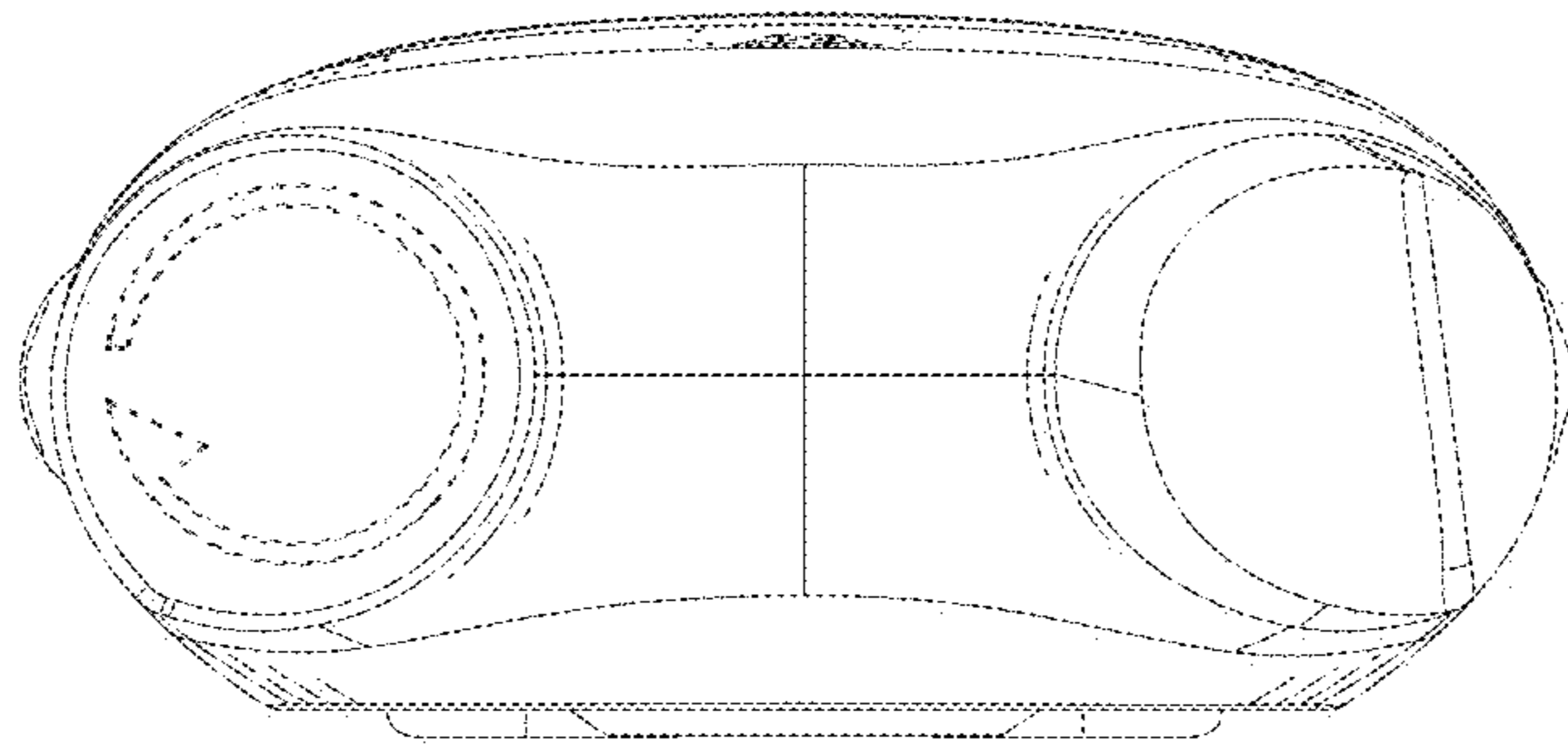


Fig.5

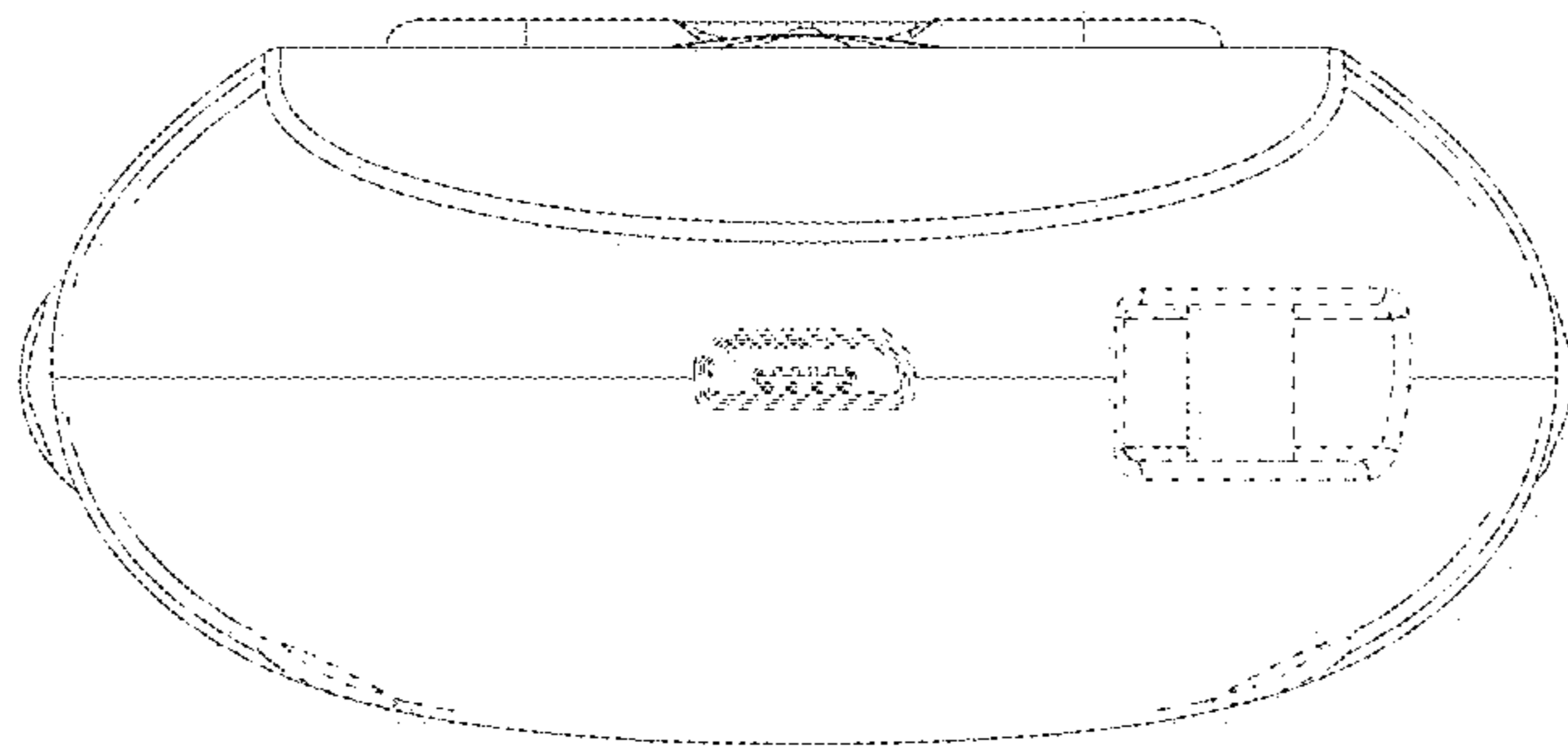


Fig. 6

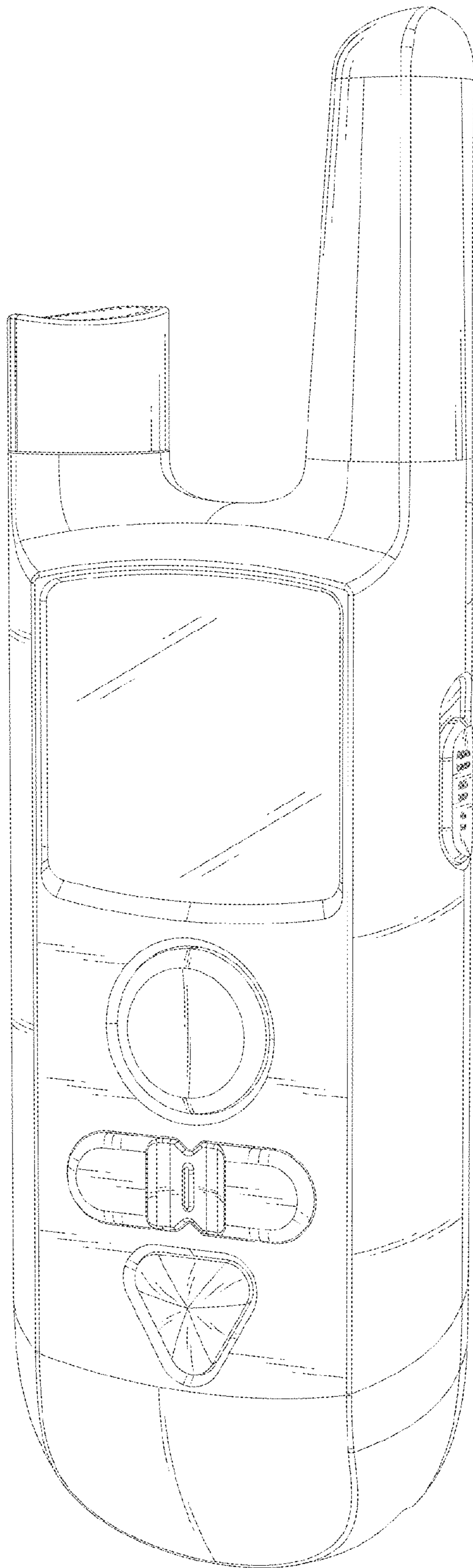


Fig. 7

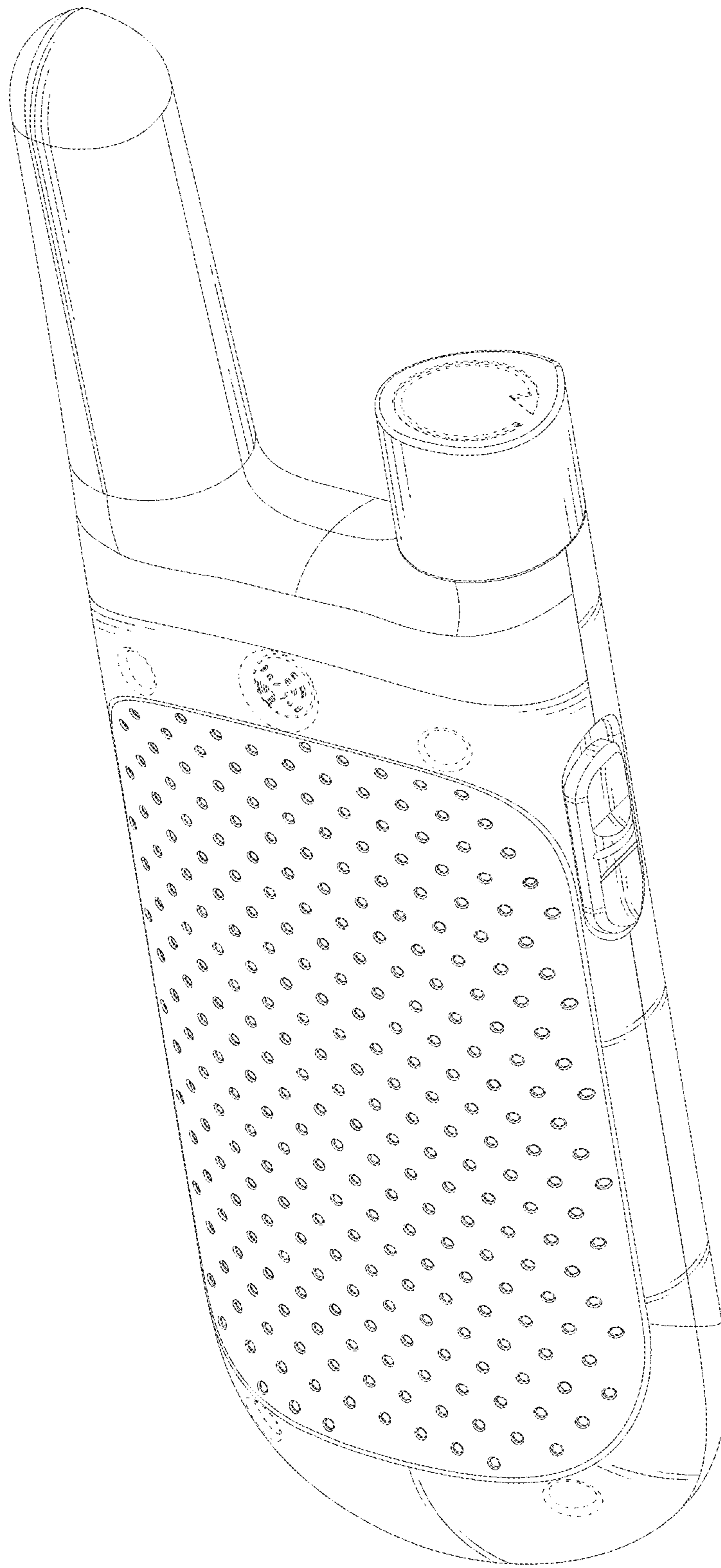


Fig. 8