



US00D884994S

(12) **United States Design Patent** (10) **Patent No.:** **US D884,994 S**
Ni (45) **Date of Patent:** **** May 19, 2020**

(54) **PET TRAINING RECEIVER**
(71) Applicant: **SHENZHEN DOGCARE INNOVATION & TECHNOLOGY CO., LTD.**, Shenzhen, Guangdong (CN)
(72) Inventor: **Xunyang Ni**, Guangdong (CN)
(73) Assignee: **SHENZHEN DOGCARE INNOVATION & TECHNOLOGY CO., LTD.**, Shenzhen (CN)

CPC A01K 15/021; A01K 15/02; A01K 15/022; A01K 15/023; A01K 15/029; A01K 15/04; A01K 15/00; A01K 15/006; A01K 12/022; A01K 27/009; A01K 27/00; A01K 27/001; A01K 27/006-008; A01K 29/005; A01K 29/00; H05K 5/03; H04B 10/00; H01H 9/02; G09G 5/00; G09D 1/10; G08C 23/04; G08C 19/12; G08C 19/00; H04N 5/44; H04N 5/445; H04N 7/00; H04L 17/02;

(Continued)

(**) Term: **15 Years**

(56) **References Cited**

(21) Appl. No.: **29/669,733**

U.S. PATENT DOCUMENTS

(22) Filed: **Nov. 9, 2018**

4,669,424 A * 6/1987 Bianco A01K 27/009
119/650

(30) **Foreign Application Priority Data**

D363,723 S * 10/1995 Hellier D14/243
(Continued)

Aug. 6, 2018 (CN) 2018 3 0430384

Primary Examiner — Susan Moon Lee

(51) **LOC (12) Cl.** **30-99**

(57) **CLAIM**

(52) **U.S. Cl.**
USPC **D30/199; D10/104.1**

The ornamental design for a pet training receiver, as shown and described.

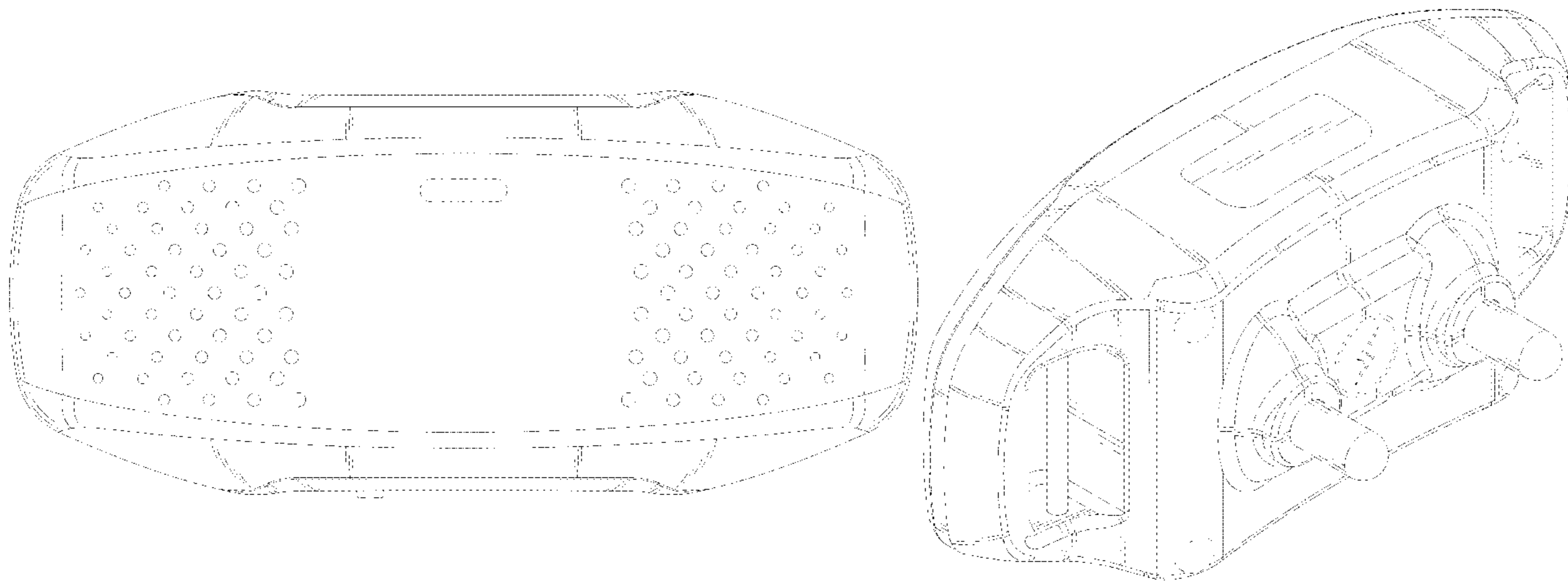
(58) **Field of Classification Search**

DESCRIPTION

USPC D30/199, 152, 144, 151, 155; D10/104.1, 104.2, 106.1, 106.3, 106.2, D10/106.92, 70, 106.91; 119/856, 859, 119/720, 721, 719, 718, 712, 653, 654, 119/760-765, 792, 793, 822, 855, 858, 119/860-863, 772, 776, 795; 340/573.3, 340/573.1, 384.2, 825.76, 538.16, 539.1, 340/539.11, 539.14, 539.15, 539.16, 340/539.17, 539.18, 539.19, 572.7, 572.8, 340/572.9, 573.2, 573.4; D13/103, 168, D13/162-164; 42/90; D14/137, 496, D14/218, 159, 217, 188, 225, 205, 155, D14/174, 388, 511; D21/566, 333, 516; 715/738; 434/350; 600/323; 348/211.99, 14.05, 114, 734; 341/175-176; 455/575.1; 343/788, 718, 343/728, 895

FIG. 1 is a front elevational view of a pet training receiver showing my new design;
FIG. 2 is a rear elevational view thereof;
FIG. 3 is a left side view thereof;
FIG. 4 is a right side view thereof;
FIG. 5 is a top plan view thereof;
FIG. 6 is a bottom plan view thereof;
FIG. 7 is a top, front and right side perspective view thereof; and,
FIG. 8 is a top, rear and right side perspective view thereof. The broken lines in the drawings illustrate portions of the pet training receiver which form no part of the claimed design.

1 Claim, 8 Drawing Sheets



US D884,994 S

Page 2

(58) **Field of Classification Search**

CPC G05B 11/01; G06F 3/02; H01Q 1/273;
H01Q 1/362; H01Q 11/08; H01Q 7/08;
A01M 29/16; A01M 29/18; A01M 29/24
See application file for complete search history.

(56) **References Cited**

U.S. PATENT DOCUMENTS

D387,898 S * 12/1997 Ronzani D3/215
D427,060 S * 6/2000 Lluch D14/163
D471,121 S * 3/2003 Perez D10/106.91
D477,241 S * 7/2003 Christianson D10/104.1
D637,365 S * 5/2011 Li D30/155
D698,685 S * 2/2014 Sayegh D10/106.91
8,736,499 B2 * 5/2014 Goetzl A01K 11/008
343/718
D706,159 S * 6/2014 Ma D11/3
D709,780 S * 7/2014 Hogg D10/104.1

D710,228 S * 8/2014 Burke D10/104.1
D710,229 S * 8/2014 Burke D10/104.1
D715,675 S * 10/2014 Ma D11/3
9,247,714 B1 * 2/2016 Tait A01K 15/021
9,449,487 B1 * 9/2016 Spitalny A01K 15/023
D806,326 S * 12/2017 Blaska D30/152
D811,016 S * 2/2018 Liu D30/152
D836,261 S * 12/2018 Ni D30/199
D853,666 S * 7/2019 Ni D30/199
2007/0209604 A1 * 9/2007 Groh A01K 15/021
119/858
2008/0067193 A1 * 3/2008 Powers A45D 34/00
222/175
2009/0018456 A1 * 1/2009 Hung A61B 5/02438
600/509
2011/0232585 A1 * 9/2011 Rich A01K 15/023
119/721
2018/0153137 A1 * 6/2018 Goetzl A01K 15/022
2018/0153138 A1 * 6/2018 Goetzl A01K 15/022
2019/0170853 A1 * 6/2019 Rich G01S 19/14

* cited by examiner

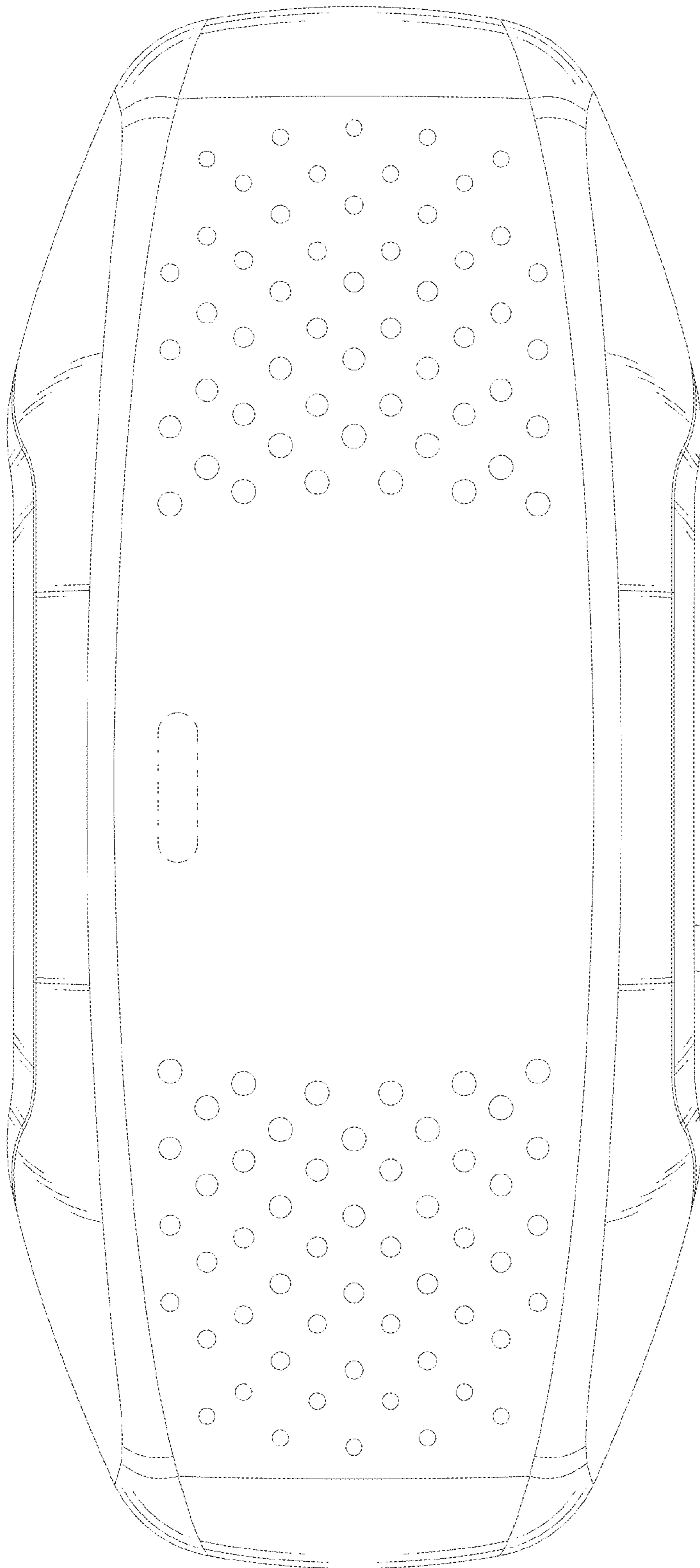


Fig. 1

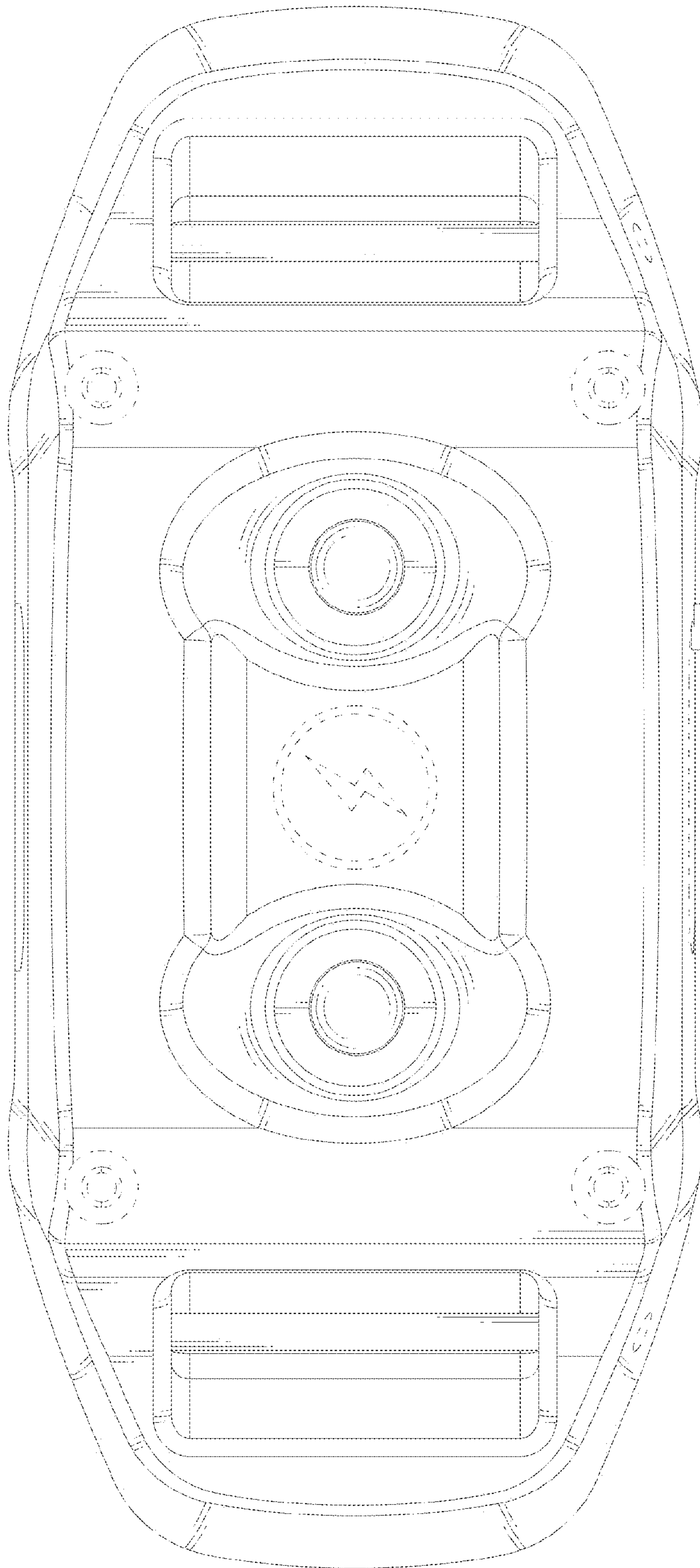


Fig. 2

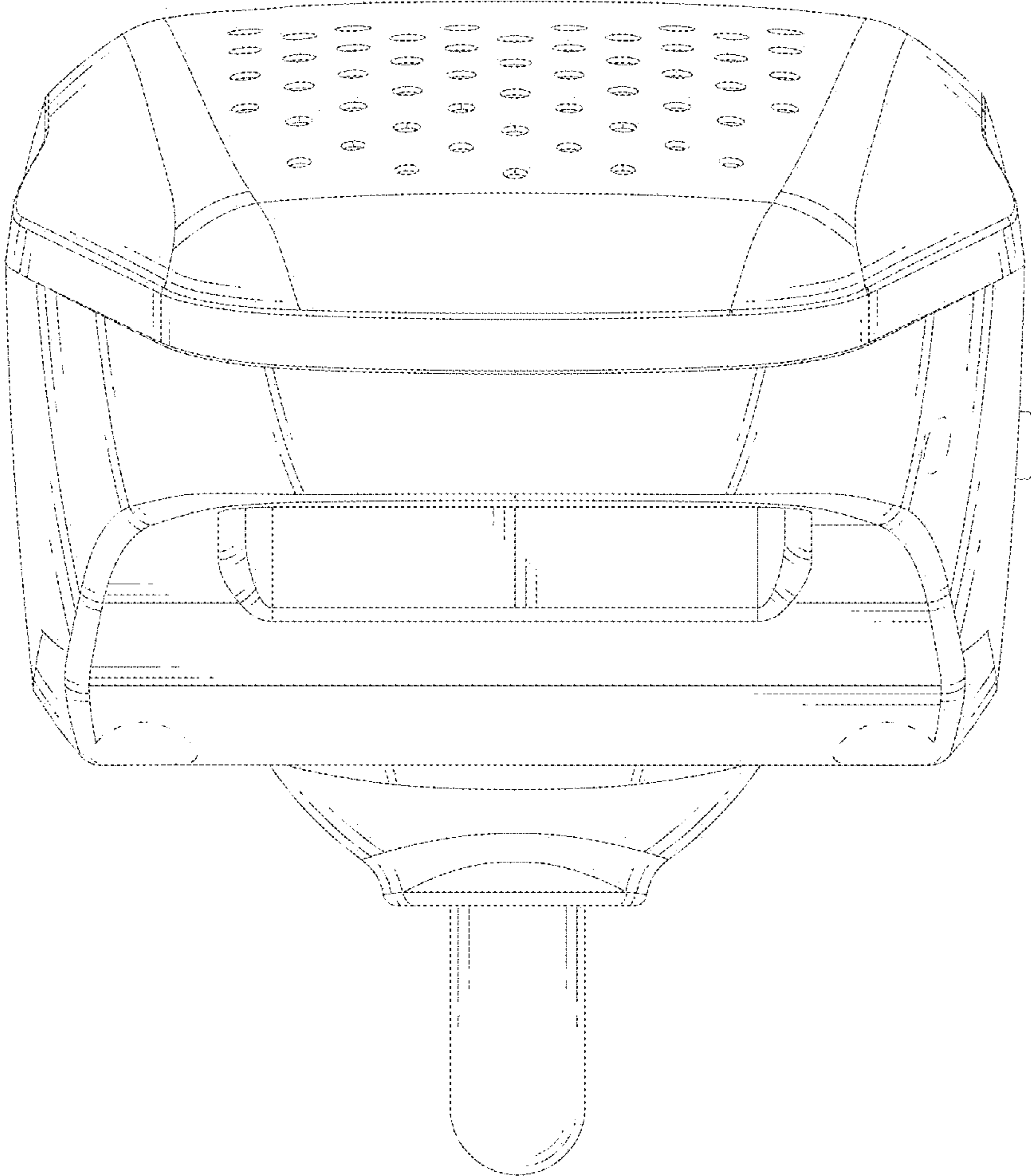


Fig.3

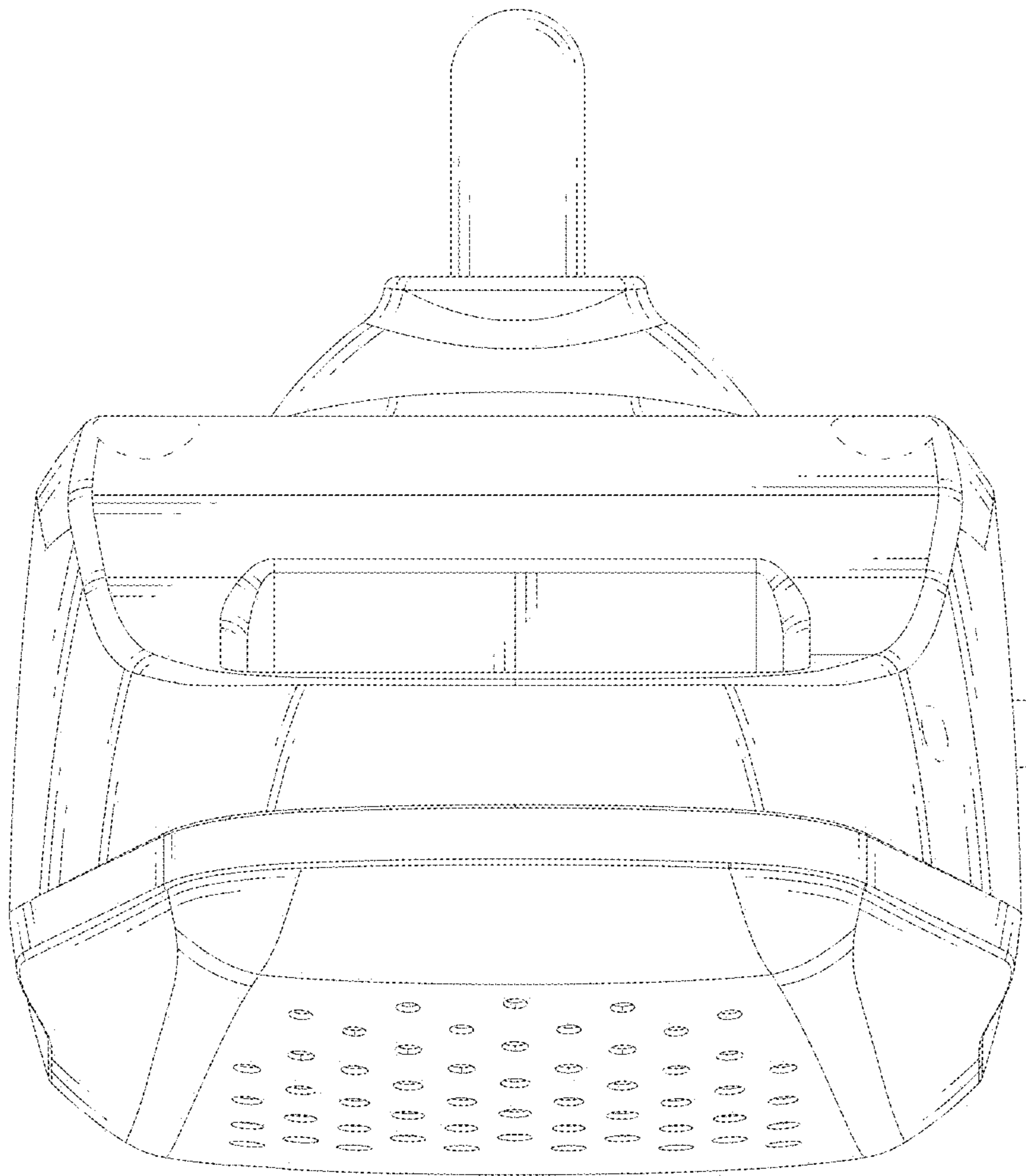


Fig. 4

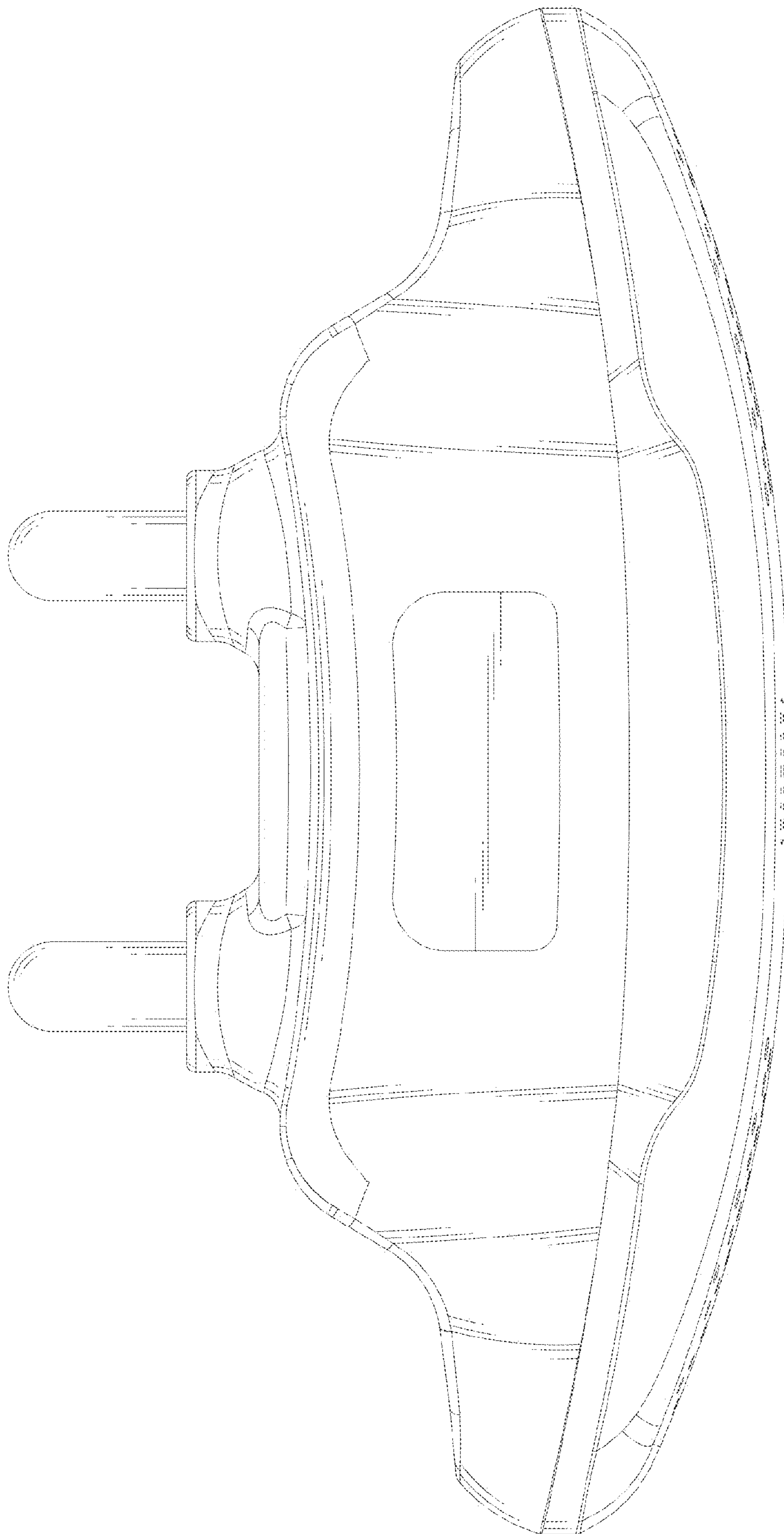


Fig. 5

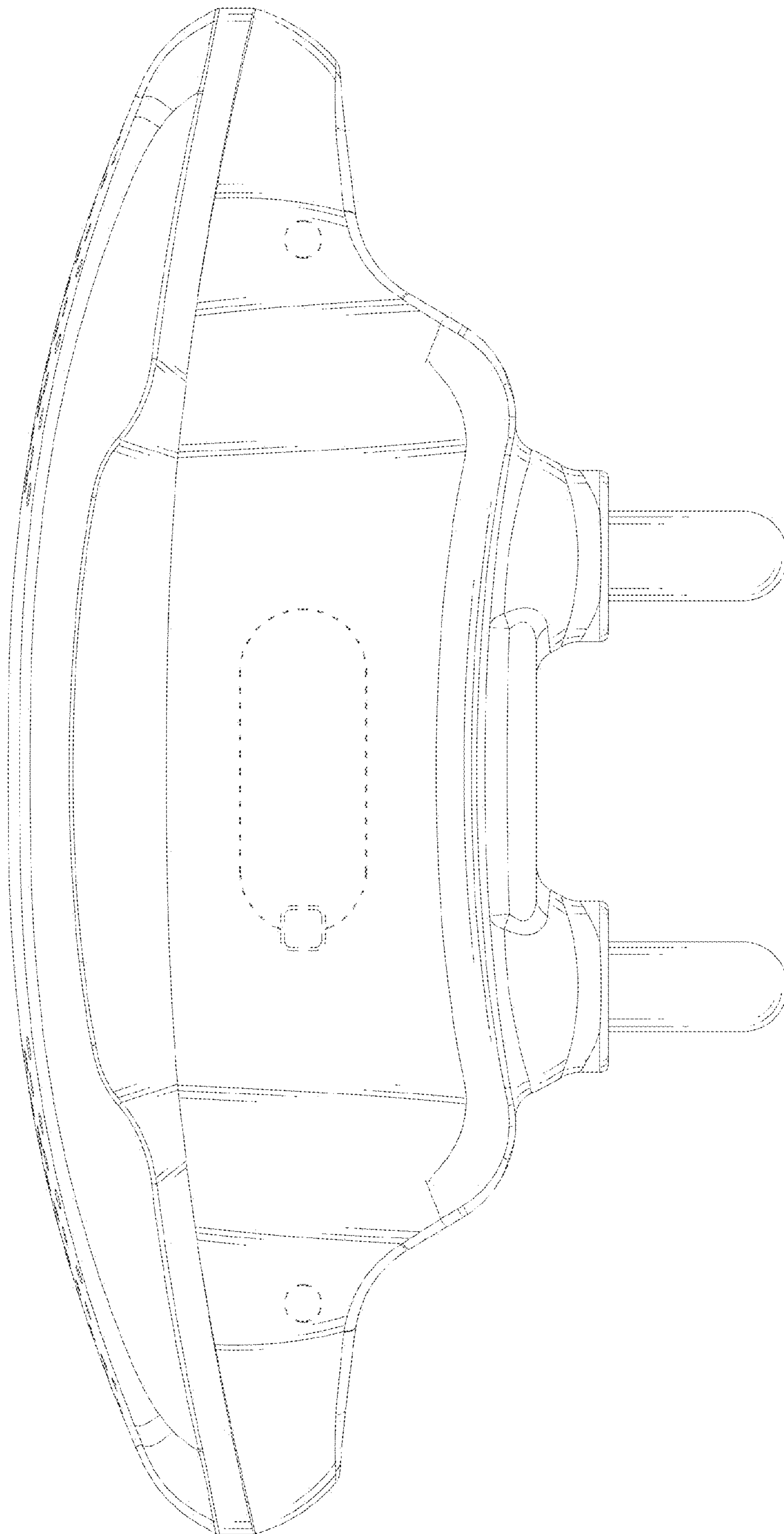


Fig. 6

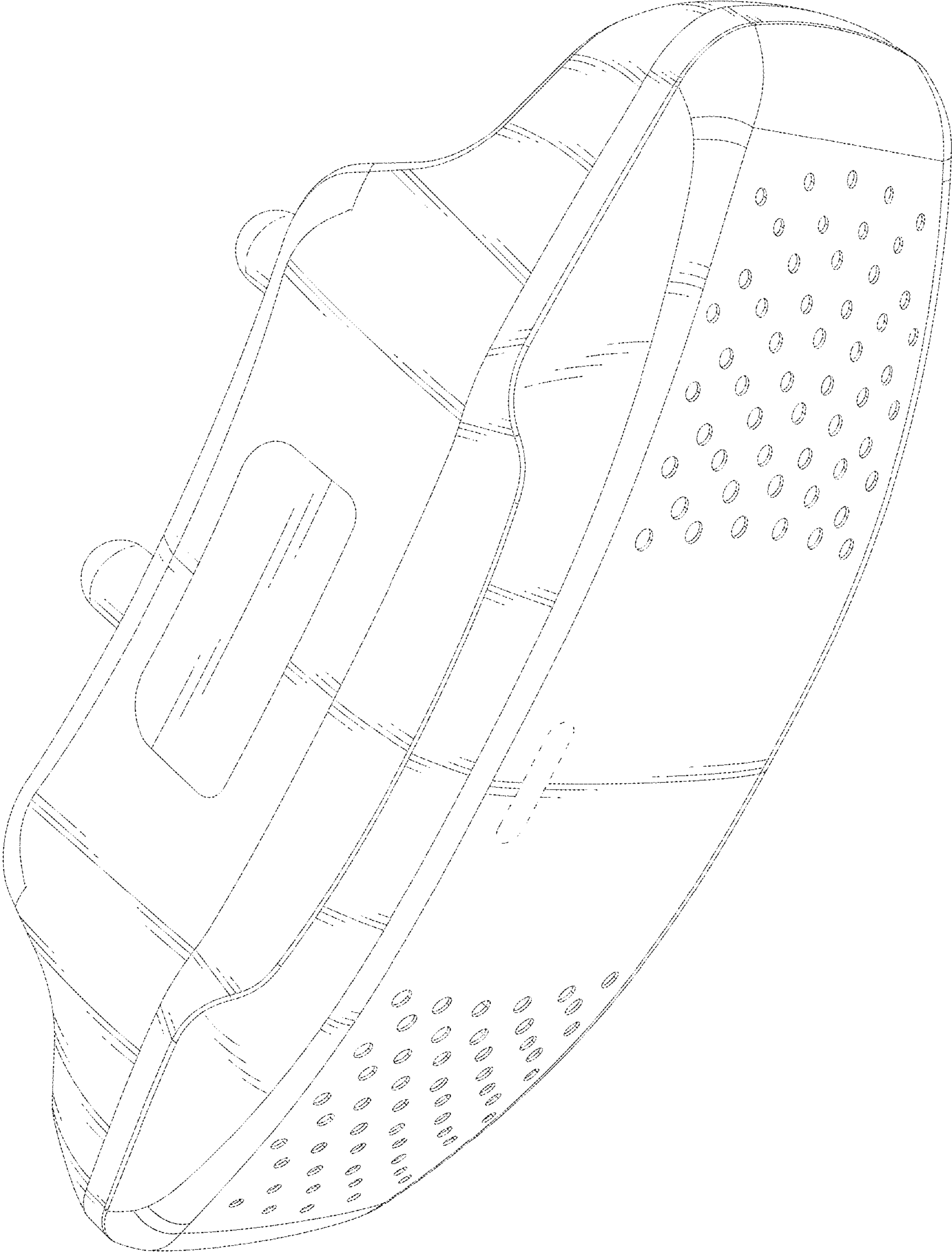


Fig. 7

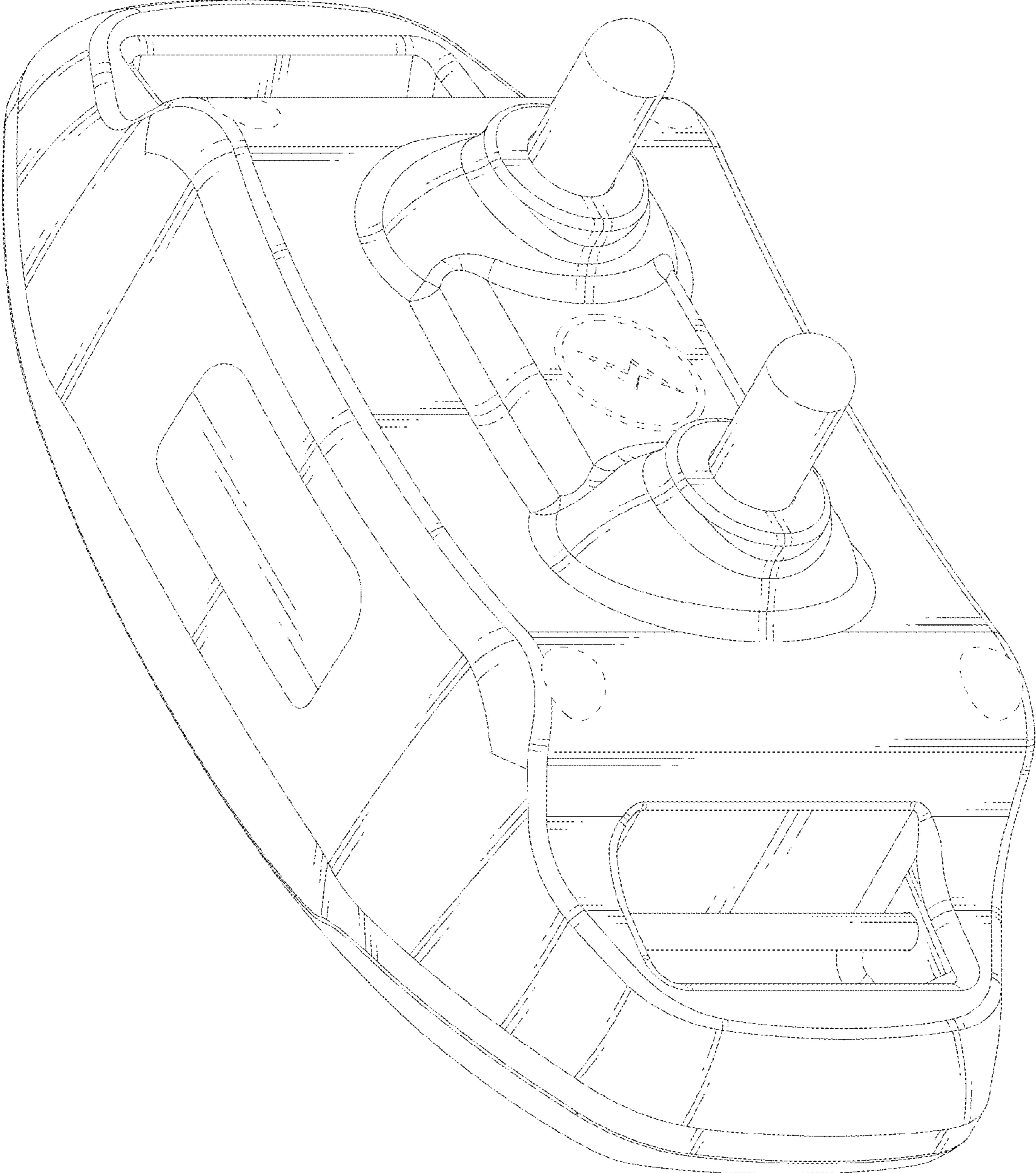


Fig. 8