



US00D884991S

(12) **United States Design Patent** (10) **Patent No.:** **US D884,991 S**
Song (45) **Date of Patent:** **** May 19, 2020**

(54) **CAT TREE**

OTHER PUBLICATIONS

(71) Applicant: **AMEZIEL INC**, Ontario, CA (US)

“AmazonBasics Large Cat Condo Tree Tower with Scratching Post” available Jul. 9, 2017, [online], [site visited Aug. 27, 2019]. Retrieved from Internet, URL:https://www.amazon.com/AmazonBasics-Cat-Tree-Scratching-Posts/dp/B06X6J3L65/ref=pd_rhf_cr_s_pd_crcbs_0_4/143-6128888-7408566 (Year: 2017).*

(72) Inventor: **Chuan Song**, Zhengzhou (CN)

“AmazonBasics Medium Cat Condo Activity Tree” available Jul. 9, 2017, [online], [site visited Aug. 27, 2019]. Retrieved from Internet, URL:https://www.amazon.com/AmazonBasics-Medium-Condo-Activity-Scratching/product-reviews/B017WXWZ6Y/ref=cm_cr_getr_d_paging_btm_next_173 (Year: 2017).*

(**) Term: **15 Years**

(21) Appl. No.: **29/660,673**

(22) Filed: **Aug. 22, 2018**

(51) **LOC (12) Cl.** **30-99**

(52) **U.S. Cl.**

USPC **D30/160**

(58) **Field of Classification Search**

USPC D30/108, 118, 119, 130, 158; 119/28.5, 119/452, 453, 482, 498, 499, 702, 708; D6/349-350; D21/826

CPC A01K 1/033; A01K 15/024; A01K 15/025; A01K 15/26; A01K 15/27; A61J 17/00; B65D 17/163; B65D 17/165

See application file for complete search history.

* cited by examiner

Primary Examiner — Michael C Stout

Assistant Examiner — Katrina N Gonzalez

(74) *Attorney, Agent, or Firm* — Tsz Lung Yeung

(56) **References Cited**

U.S. PATENT DOCUMENTS

D257,293 S * 10/1980 Michalski D30/158
D261,186 S * 10/1981 Michalski D30/158
D406,678 S * 3/1999 Rittenhouse D30/108
6,966,277 B2 * 11/2005 DeRaspe-Bolles
A01K 15/024
119/702

D611,204 S * 3/2010 Slater D30/160
D677,022 S * 2/2013 Cirincione D30/160
D774,707 S * 12/2016 Kellogg D30/160
D846,206 S * 4/2019 He D30/160
D846,818 S * 4/2019 He D30/160
2011/0155073 A1 * 6/2011 Kilroy A01K 15/024
119/247

2019/0230896 A1 * 8/2019 Goldman A01K 1/033

(57) **CLAIM**

The ornamental design for a cat tree, as shown and described.

DESCRIPTION

FIG. 1 is a perspective view of a cat tree showing my new design;

FIG. 2 is a front view thereof;

FIG. 3 is a rear view thereof;

FIG. 4 is a right side view thereof;

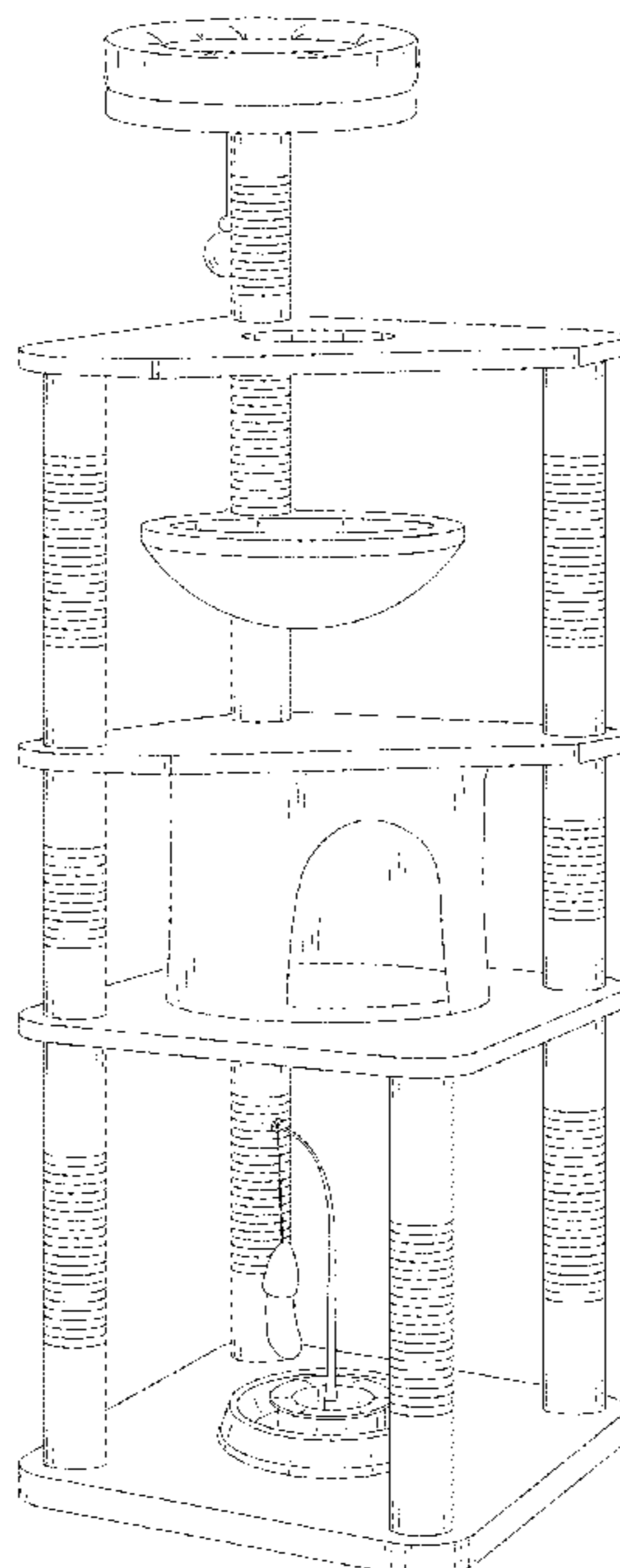
FIG. 5 is a left side view thereof;

FIG. 6 is a top view thereof; and,

FIG. 7 is a bottom view thereof.

The broken lines illustrate portions of the cat tree that form no part of the claimed design.

1 Claim, 7 Drawing Sheets



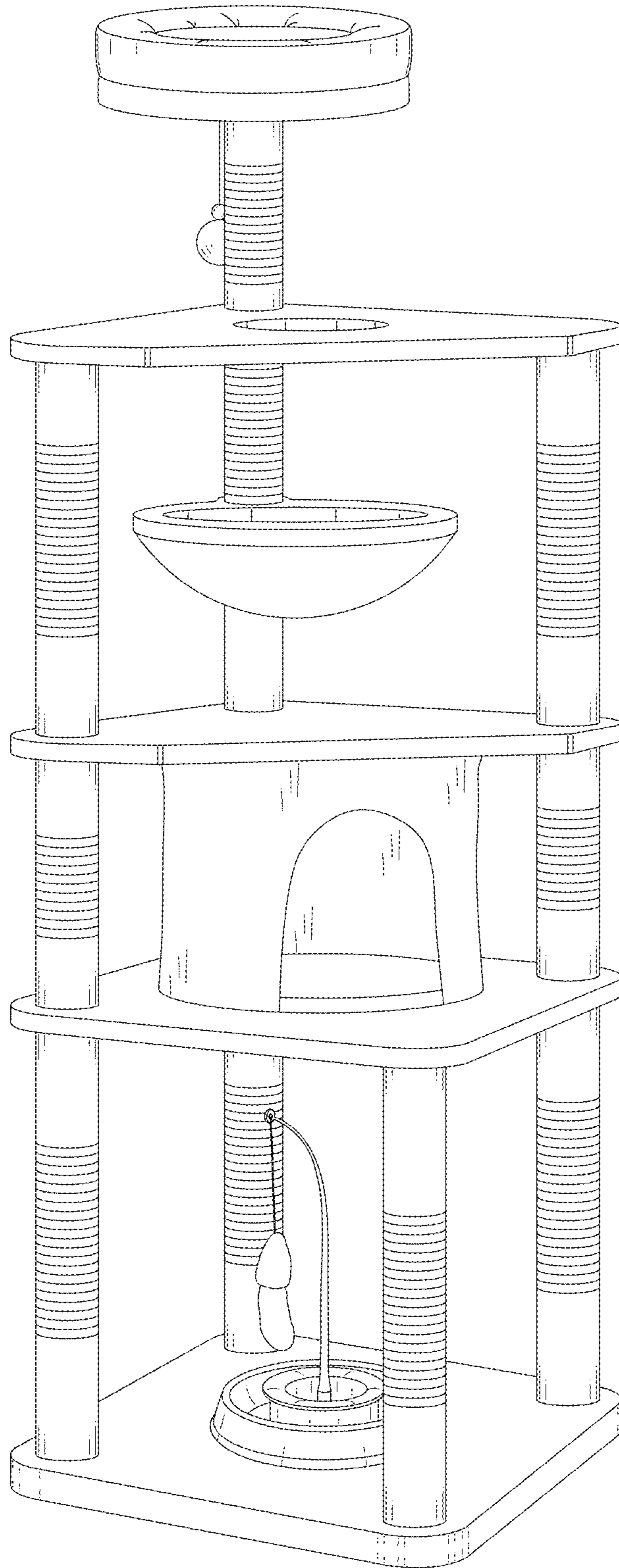


FIG. 1

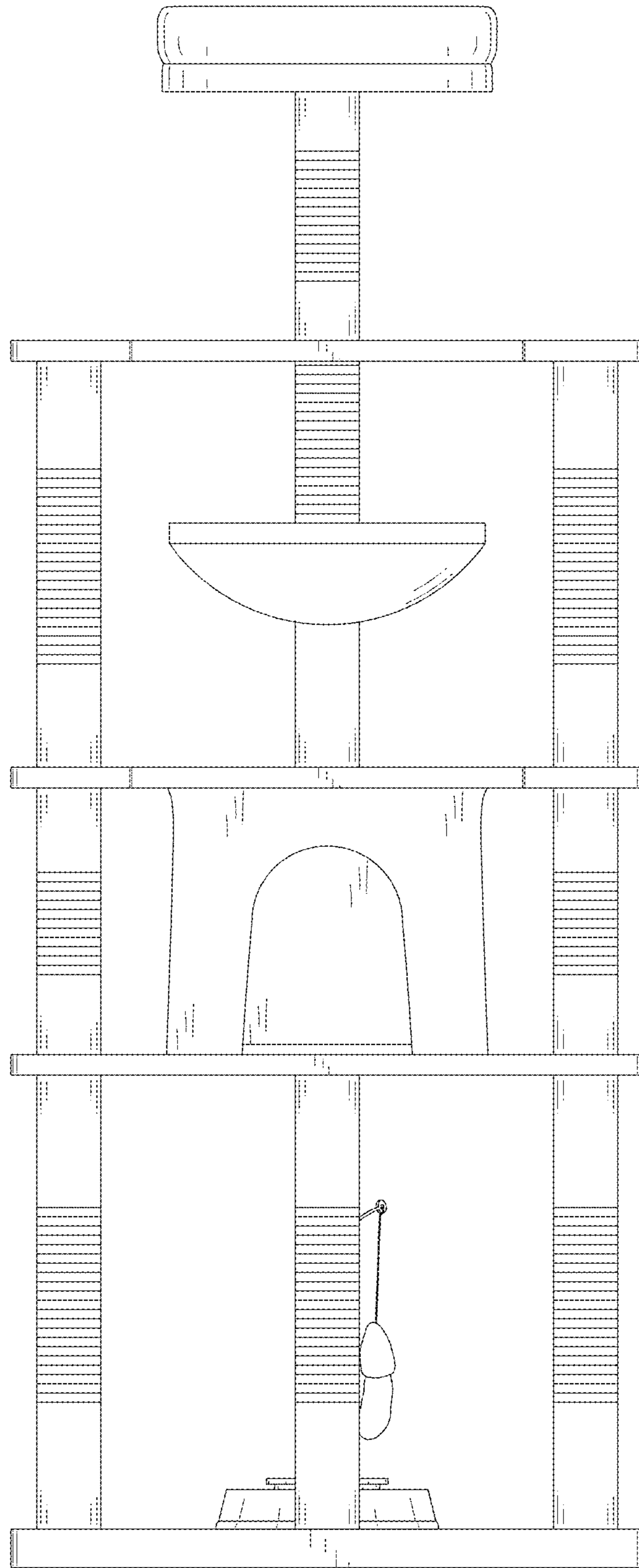


FIG. 2

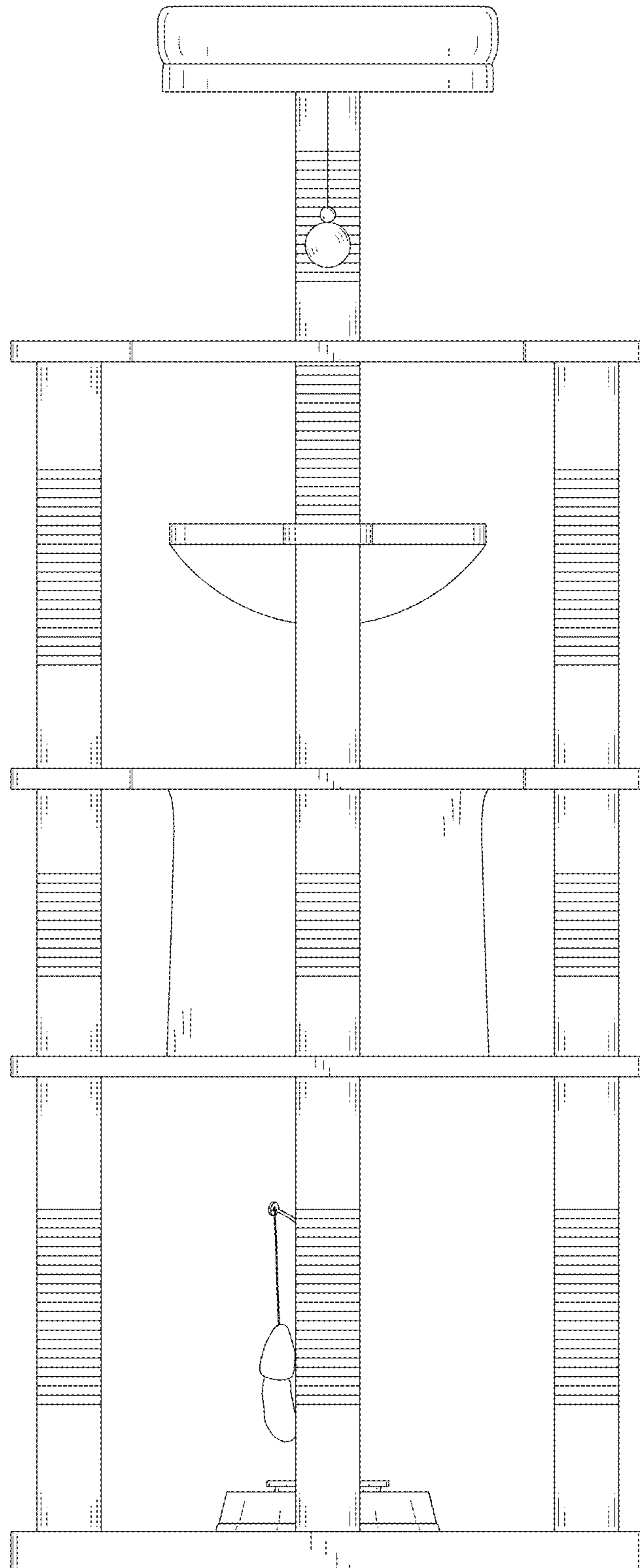


FIG. 3

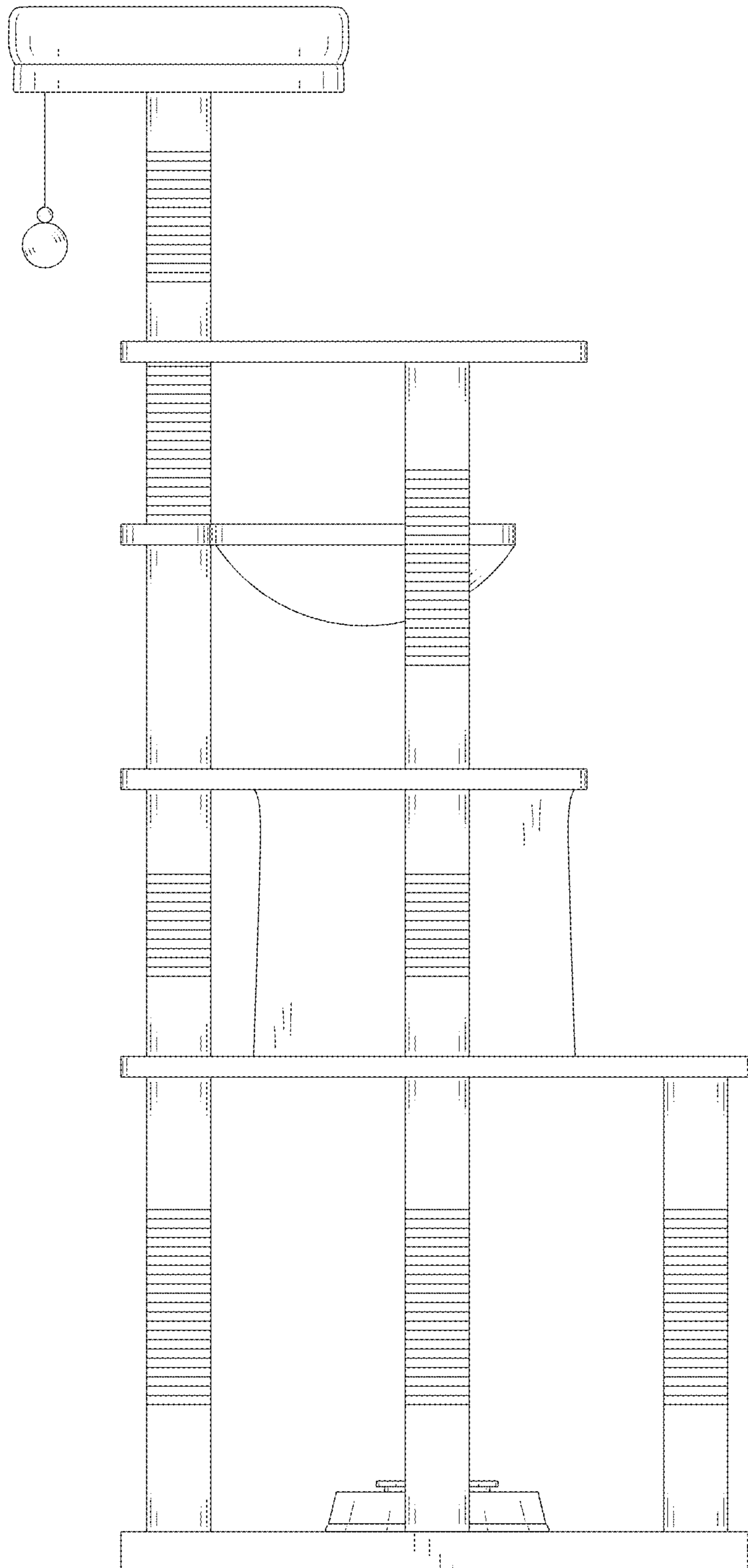


FIG. 4

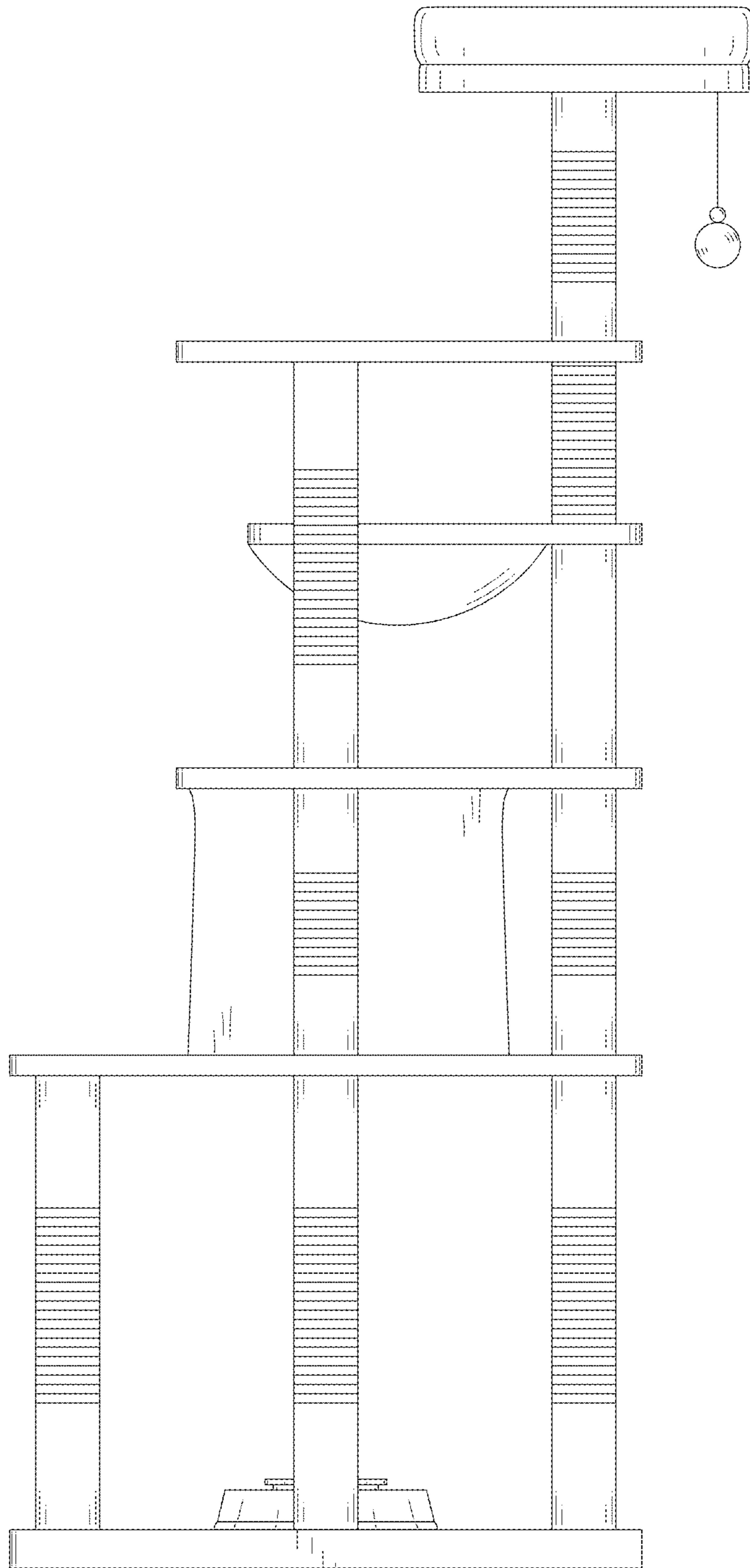


FIG. 5

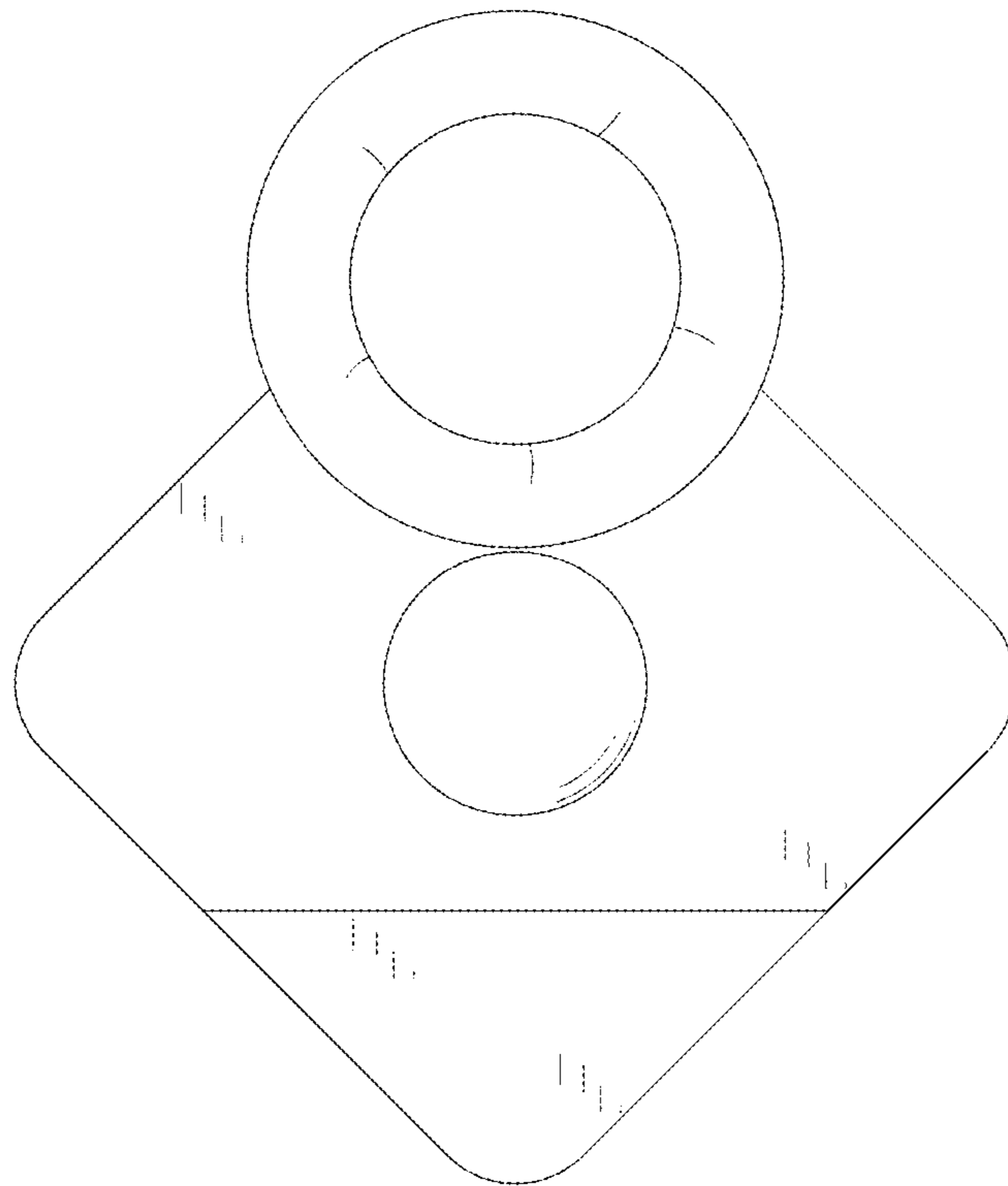


FIG.6

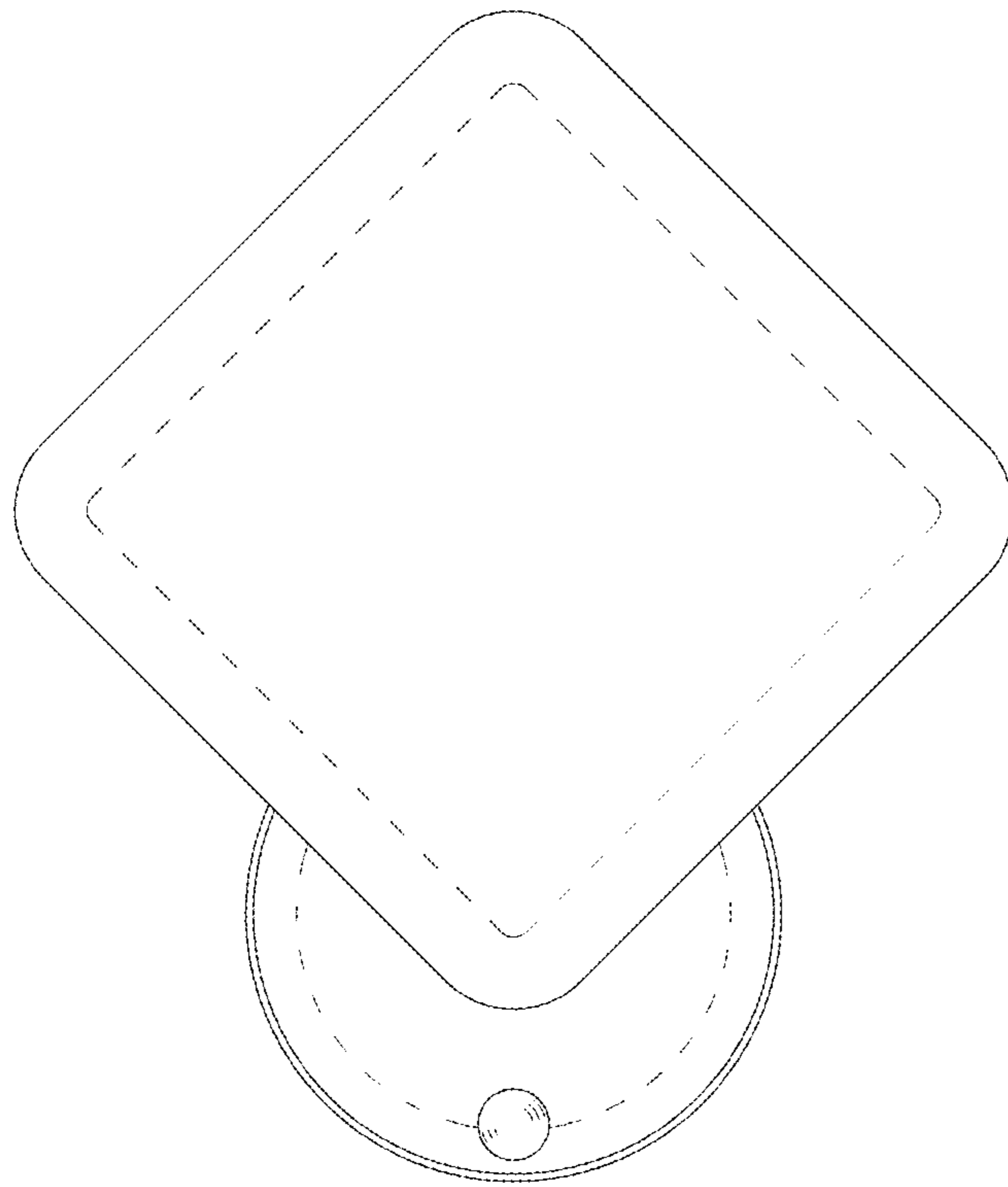


FIG. 7