



US00D884989S

(12) **United States Design Patent**  
**Yan et al.**

(10) **Patent No.:** **US D884,989 S**

(45) **Date of Patent:** **\*\* May 19, 2020**

(54) **PET COMB**

(71) Applicant: **Suzhou Shengkang Plastic Electric Co., Ltd., Suzhou (CN)**

(72) Inventors: **Yongkang Yan, Suzhou (CN); Changzhou Yan, Suzhou (CN)**

(73) Assignee: **Suzhou Shengkang Plastic Electric Co., Ltd., Suzhou (CN)**

(\*\*) Term: **15 Years**

(21) Appl. No.: **29/695,090**

(22) Filed: **Jun. 14, 2019**

(30) **Foreign Application Priority Data**

Apr. 8, 2019 (CN) ..... 2019 3 0155474

(51) **LOC (12) Cl.** ..... **30-99**

(52) **U.S. Cl.**  
USPC ..... **D30/158; D30/159; D4/117**

(58) **Field of Classification Search**  
USPC ..... D30/158-159, 199; D4/104-108, 117, D4/118, 121, 130-135, 138, 199; D28/21, 24, 30, 63, 74, 99; 119/86, 600, 119/604-606, 611-620, 625, 628-633; 132/219

CPC .... A01K 13/00; A01K 13/002; A01K 13/001; A45D 24/00; A46B 9/023; B26B 19/24  
See application file for complete search history.

(56) **References Cited**

**U.S. PATENT DOCUMENTS**

D382,083 S \* 8/1997 Skelton ..... D28/7  
D411,048 S \* 6/1999 Pinon ..... D4/121  
D453,420 S \* 2/2002 Offer ..... D4/132  
D476,160 S \* 6/2003 Choi ..... D4/121  
D508,299 S \* 8/2005 Dunn ..... D30/158  
D509,032 S \* 8/2005 Dunn ..... D30/158

D616,649 S \* 6/2010 Lin ..... D30/158  
D640,874 S \* 7/2011 Huang ..... D4/138  
8,595,885 B1 \* 12/2013 Weinstein ..... A46B 9/023  
119/612  
D768,389 S \* 10/2016 Rosenzweig ..... D4/114  
D795,595 S \* 8/2017 Exley ..... D4/121  
D796,210 S \* 9/2017 Hu ..... D28/25  
D798,000 S \* 9/2017 Knoll ..... D30/159  
D803,578 S \* 11/2017 Morton ..... D4/138  
9,814,214 B1 \* 11/2017 Murphy ..... A01K 13/002  
D823,006 S \* 7/2018 Kim ..... D4/136  
D840,608 S \* 2/2019 Snead, Sr. .... D30/159  
D859,849 S \* 9/2019 Sun ..... D4/134

(Continued)

**FOREIGN PATENT DOCUMENTS**

CA 2502126 A1 \* 9/2005 ..... A46B 3/20  
GB 2412302 A \* 9/2005 ..... A46B 9/023

*Primary Examiner* — Sandra S Snapp

*Assistant Examiner* — Mehri F Bajoul

(74) *Attorney, Agent, or Firm* — Wayne & Ken, LLC;  
Tony Hom

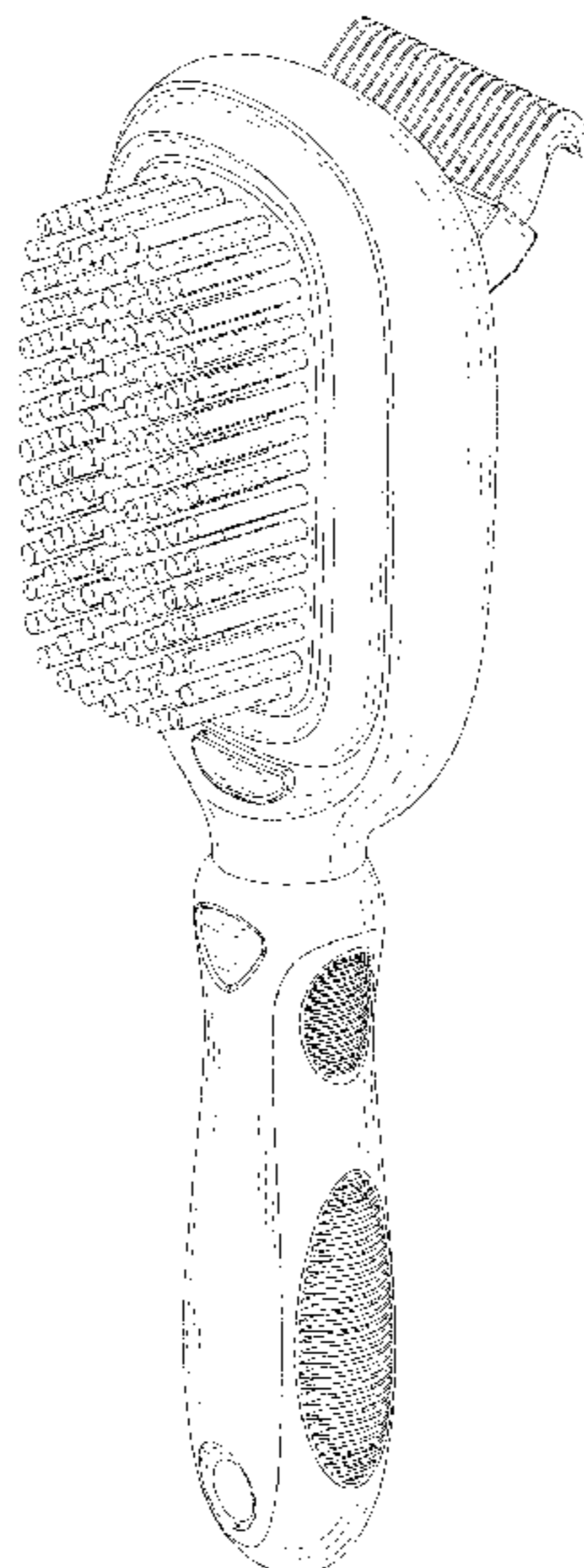
(57) **CLAIM**

The ornamental design for a pet comb, as shown and described.

**DESCRIPTION**

FIG. 1 is a perspective view of a pet comb in an open state showing our new design;  
FIG. 2 is another perspective view thereof;  
FIG. 3 is the front elevational view FIG. 1;  
FIG. 4 is the back elevational view thereof;  
FIG. 5 is the left side elevational view thereof;  
FIG. 6 is the right side elevational view thereof;  
FIG. 7 is the top plan view thereof; and,  
FIG. 8 is the bottom plan view thereof.  
The broken lines shown in the drawings depict portions of the pet comb that form no part of the claimed design.

**1 Claim, 8 Drawing Sheets**



(56)

**References Cited**

U.S. PATENT DOCUMENTS

2006/0000423 A1\* 1/2006 Morosin ..... A01K 13/002  
119/600  
2017/0367468 A1\* 12/2017 Accetura, Jr. .... A46B 5/002

\* cited by examiner

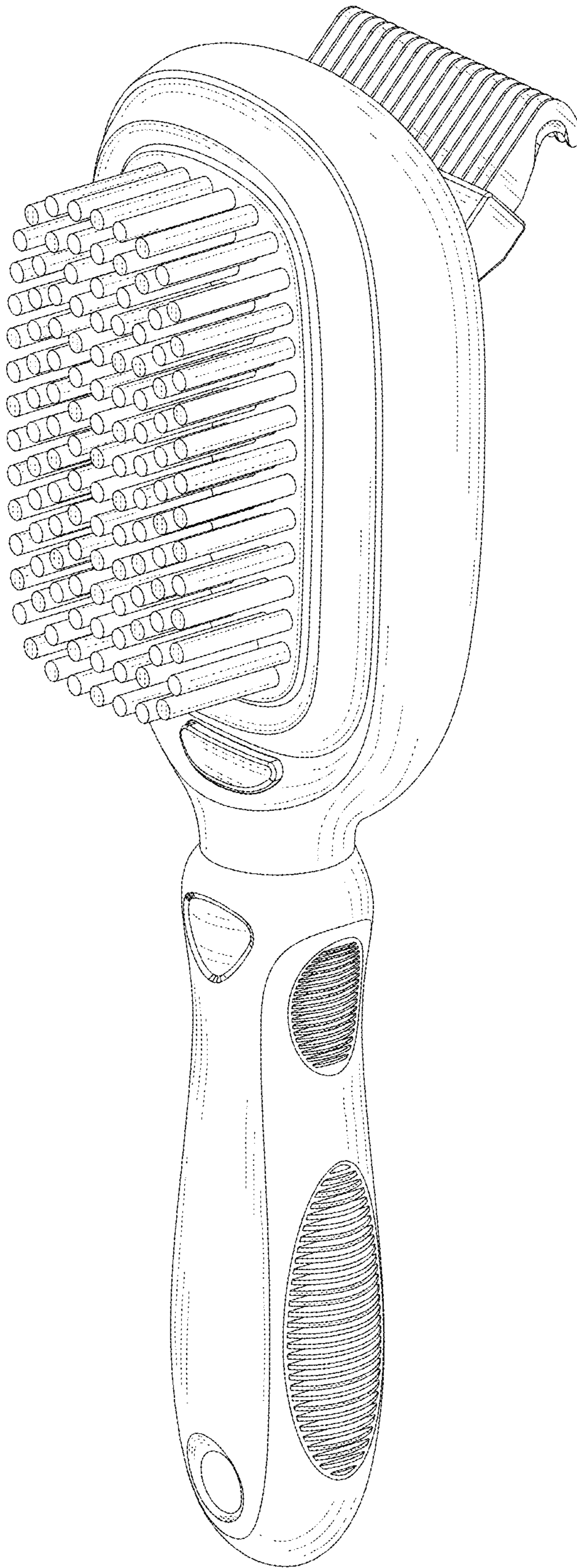


FIG. 1

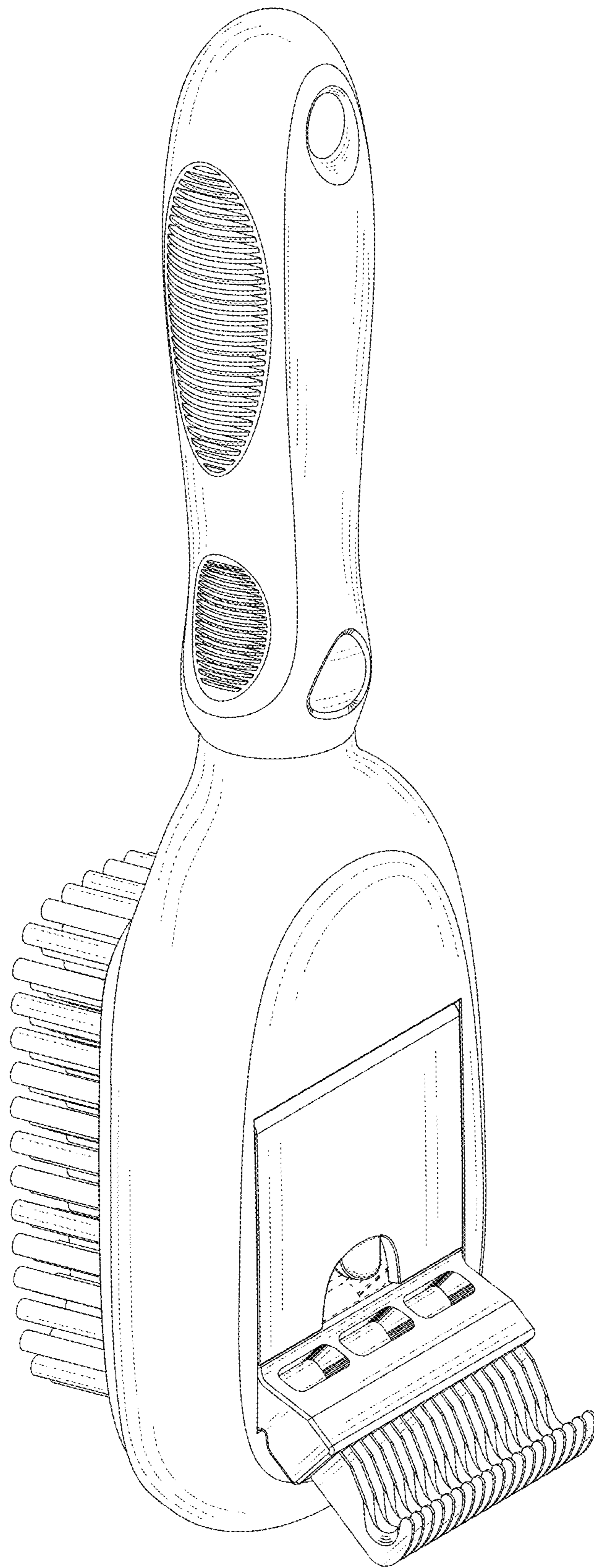


FIG. 2

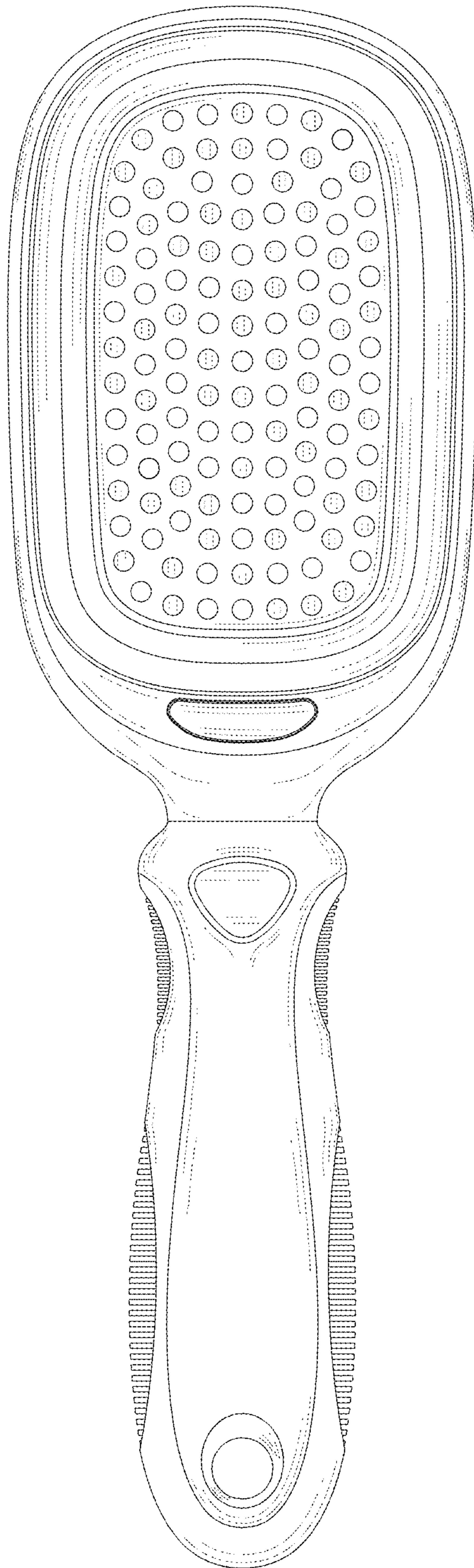


FIG. 3

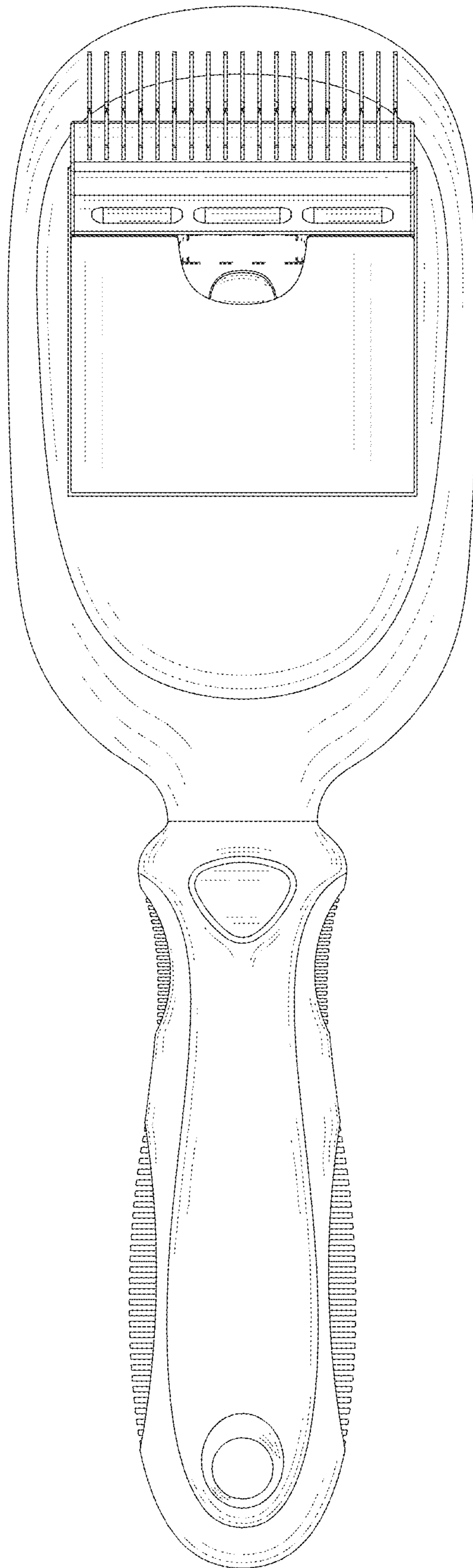


FIG. 4

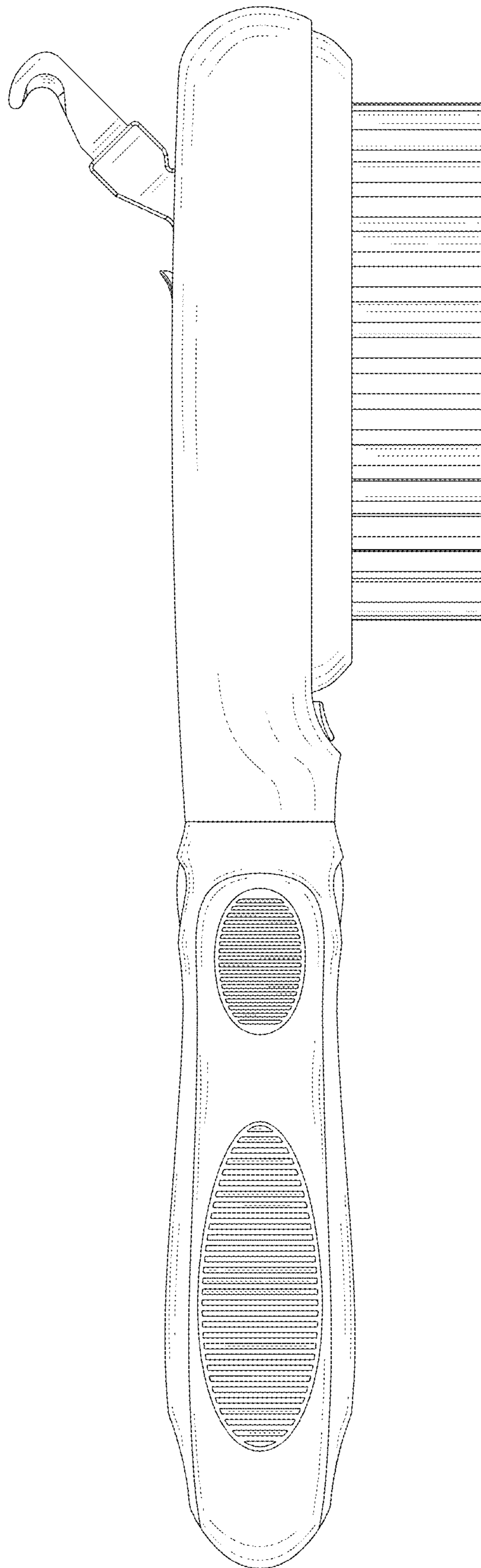


FIG. 5

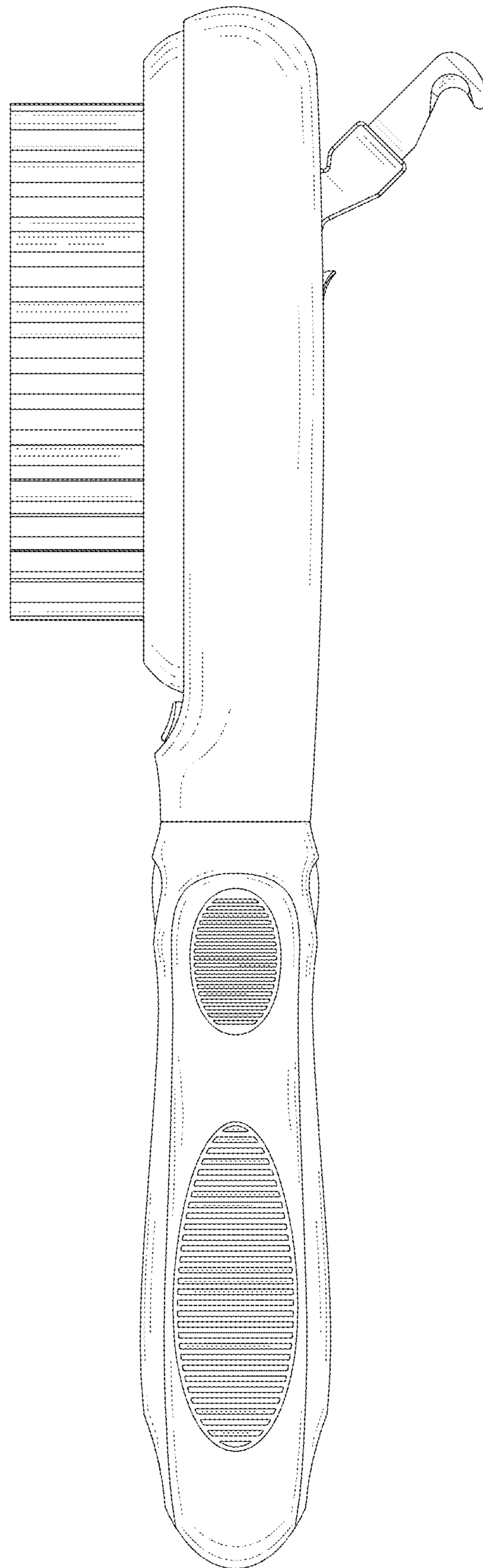


FIG. 6



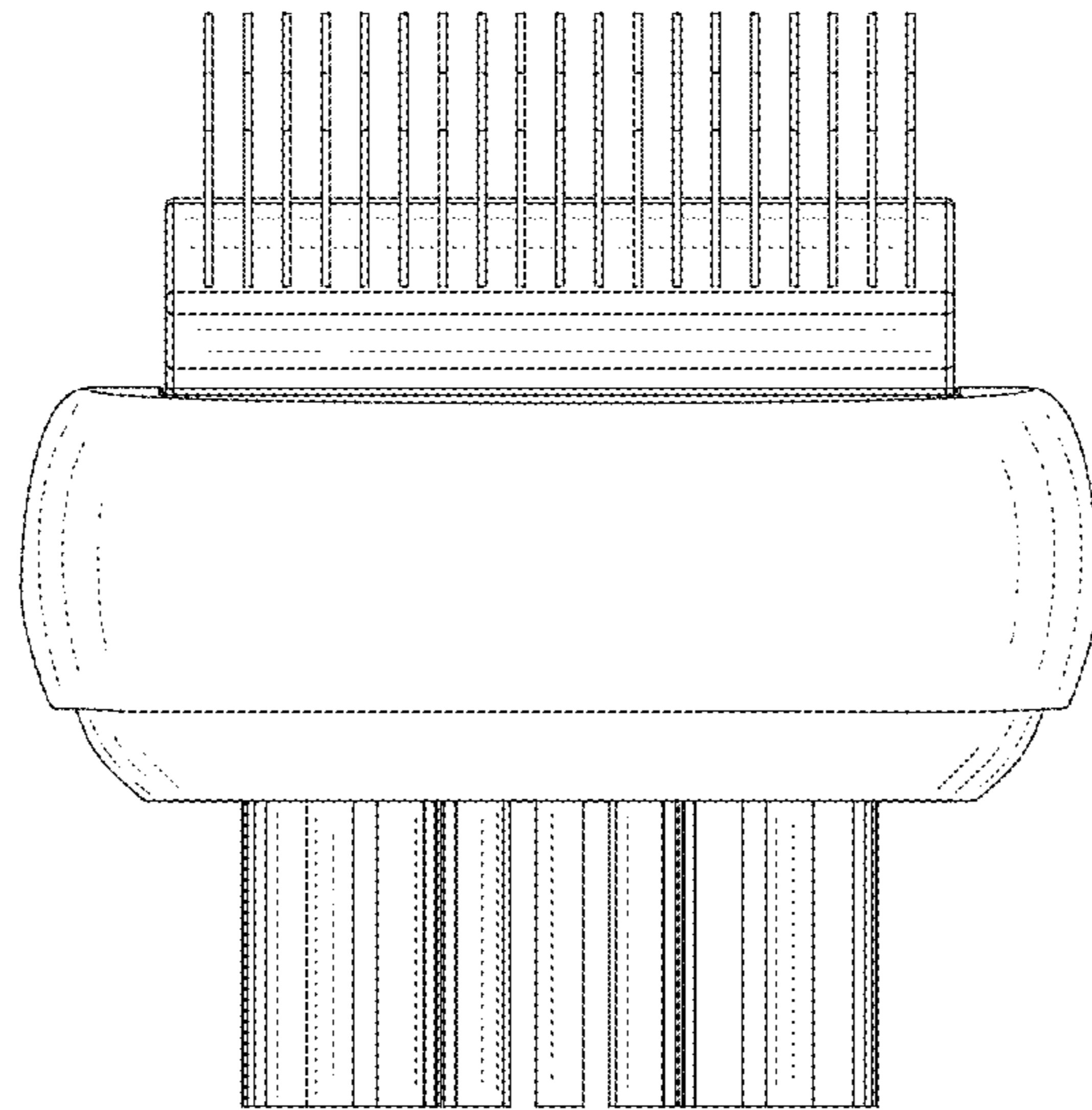


FIG. 7

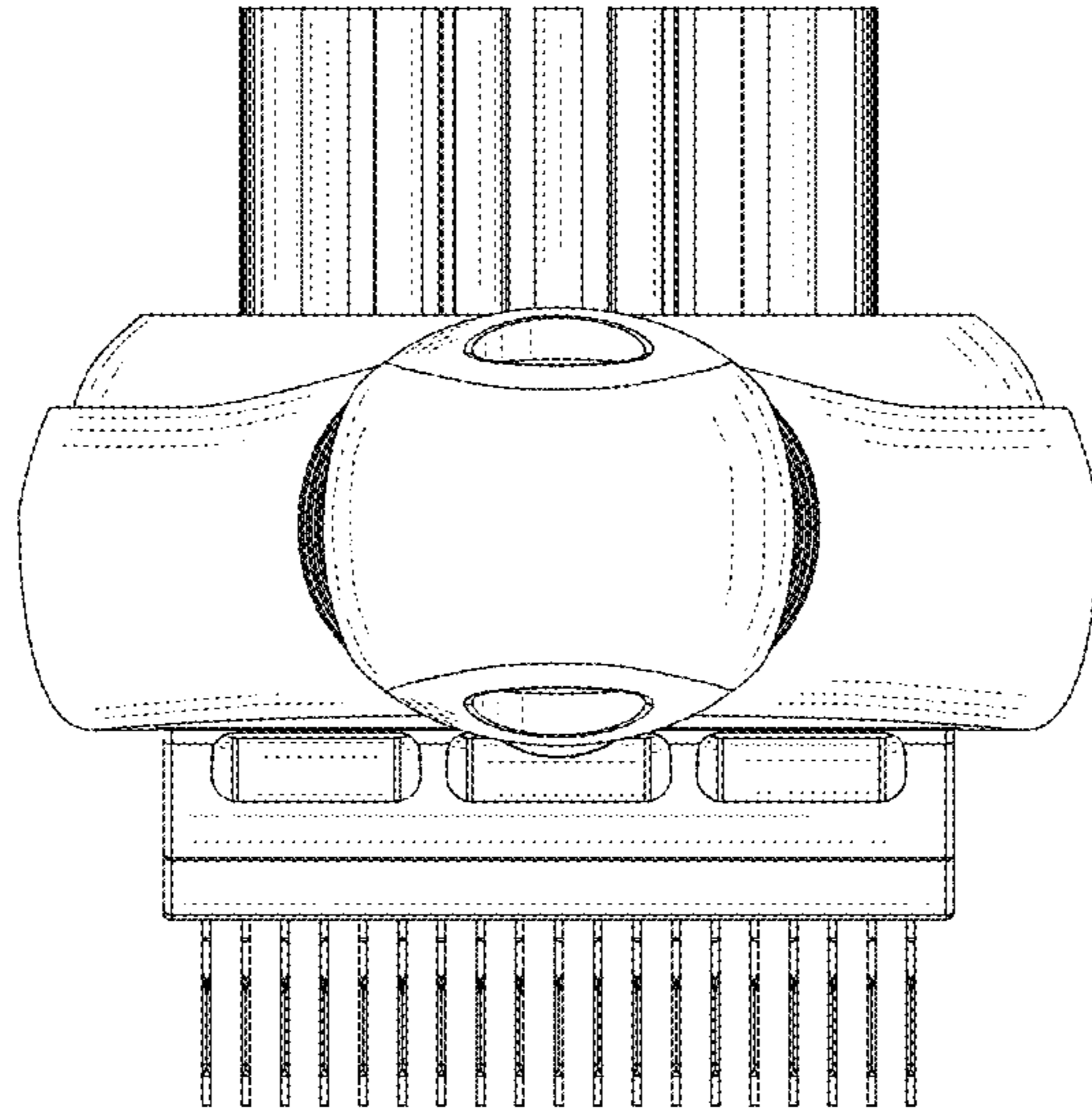


FIG. 8