



US00D884988S

(12) **United States Design Patent**  
**Wu**

(10) **Patent No.:** **US D884,988 S**  
(45) **Date of Patent:** **\*\* May 19, 2020**

- (54) **DOG FOOD MAT**
- (71) Applicant: **Chuan Wu**, Zhejiang (CN)
- (72) Inventor: **Chuan Wu**, Zhejiang (CN)
- (\*\*) Term: **15 Years**
- (21) Appl. No.: **29/717,942**
- (22) Filed: **Dec. 19, 2019**
- (51) **LOC (12) Cl.** ..... **30-03**
- (52) **U.S. Cl.**  
USPC ..... **D30/133; D30/121**
- (58) **Field of Classification Search**  
USPC .... D30/121, 122, 129-133; 119/61.5, 51.01, 119/61.56, 51.03, 59, 62, 63, 51.5, 57.8, 119/74, 61.54, 61.55; 312/204; 248/151, 248/188; 108/156, 153.1-157; 220/23.87, 630, 737, 743, 9.4, 495.01, 220/574, 212, 255, 23.83, 606, 657, 8, 6, 220/4.28, 4.29, 4.31, 4.32, 9.1-9.3, 656, 220/665; 206/515, 514, 503-509, 524.3, 206/557, 563, 566, 567, 424, 771; D7/586, 543, 550.1, 587, 505, 584, 545, D7/500, 553.1-553.8, 546, 555, 556, 504, D7/565, 562, 602, 676, 544, 548, 675, D7/554.2, 551.1, 672, 677, 560, 396.1, D7/360, 554.3, 552.1, 550, 698; D9/429, D9/425, 603, 432, 433, 414, 419, 424, D9/423, 431, 418, 416, 760, 761, 632; 43/109; D22/122; 99/430, DIG. 15; D27/106, 113, 114  
CPC ..... A01K 5/0114-0142; A01K 7/005; B65D 5/3607; B65D 5/3635; B65D 5/42; B65D 5/365  
See application file for complete search history.

- D157,130 S \* 2/1950 David ..... D6/592
- D173,120 S \* 9/1954 Levenhagen ..... D7/554.3
- 2,757,478 A \* 8/1956 Borland ..... A47G 23/0303  
248/346.11
- 2,878,932 A \* 3/1959 Martire, Jr. .... A47G 23/06  
206/564
- 3,195,847 A \* 7/1965 Squires ..... A47G 23/03  
248/346.11
- D209,849 S \* 1/1968 Farrell ..... D7/632
- 3,517,407 A \* 6/1970 Wyant ..... A47G 27/0206  
15/215
- 3,610,459 A \* 10/1971 Hanson ..... A47G 19/10  
220/23.83
- 3,637,454 A \* 1/1972 Pavernick ..... A47D 15/003  
428/71
- 3,729,037 A \* 4/1973 Dare ..... A47G 19/03  
150/158
- D229,073 S \* 11/1973 Brickel ..... D30/130
- 3,920,870 A \* 11/1975 Ackerman ..... A47G 23/0303  
428/46
- D242,515 S \* 11/1976 Shumrak et al. .... D7/553.5

(Continued)

*Primary Examiner* — Susan Moon Lee  
(74) *Attorney, Agent, or Firm* — Justin Lampel

(57) **CLAIM**

I claim the ornamental design for a dog food mat, as shown and described.

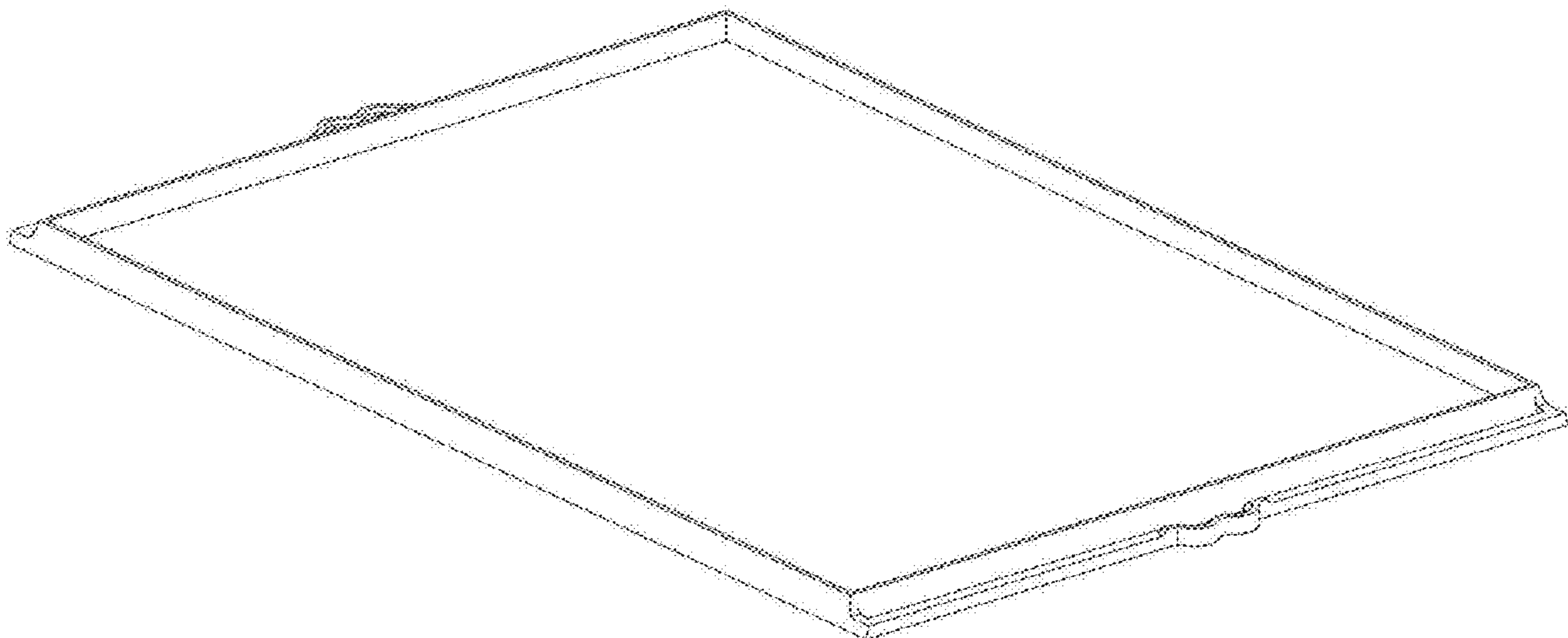
**DESCRIPTION**

FIG. 1 is a perspective view of a dog food mat showing the claimed design;  
FIG. 2 is a top plan view thereof;  
FIG. 3 is a rear elevational view thereof;  
FIG. 4 is a bottom plan view thereof;  
FIG. 5 is a right side view thereof;  
FIG. 6 is a front elevational view thereof; and,  
FIG. 7 is a left side view thereof.

**1 Claim, 7 Drawing Sheets**

(56) **References Cited**  
U.S. PATENT DOCUMENTS

- D141,503 S \* 6/1945 Preis ..... D7/552.1
- D146,687 S \* 4/1947 Schmidt ..... D7/548



(56)

## References Cited

## U.S. PATENT DOCUMENTS

- 4,083,453 A \* 4/1978 Berger ..... A47G 23/06  
206/564
- D259,669 S \* 6/1981 Peterson ..... D30/130
- D288,163 S \* 2/1987 Ritman ..... D7/545
- D308,461 S \* 6/1990 Hosea ..... A47G 19/06  
D7/507
- 4,940,620 A \* 7/1990 Silk ..... A47D 15/00  
428/124
- D314,891 S \* 2/1991 Sata ..... D7/543
- 5,053,262 A \* 10/1991 Kerr ..... A47G 19/10  
248/206.4
- D327,200 S \* 6/1992 Szablak ..... D7/550.1
- D344,436 S \* 2/1994 Walls ..... D7/553.4
- D351,694 S \* 10/1994 Evans ..... D30/161
- 5,577,730 A \* 11/1996 Vannozzi, Sr. .... A63F 3/0023  
206/315.1
- D379,135 S \* 5/1997 Vina ..... D7/543
- D382,445 S \* 8/1997 Indekeu ..... D7/545
- D400,354 S \* 11/1998 Burrows ..... D3/307
- D405,646 S \* 2/1999 Indekeu ..... D28/73
- D410,574 S \* 6/1999 McCaig ..... D34/1
- 5,971,611 A \* 10/1999 Rosengren ..... A47D 15/003  
383/14
- D423,271 S \* 4/2000 Brock ..... D6/610
- D434,606 S \* 12/2000 Reames ..... D7/552.1
- D436,495 S \* 1/2001 Ferrer ..... D7/360
- D439,469 S \* 3/2001 Ferrer ..... D7/360
- D441,261 S \* 5/2001 Stein ..... D7/698
- D470,713 S \* 2/2003 Swinford ..... D7/360
- D471,398 S \* 3/2003 Swinford ..... D7/360
- D472,428 S \* 4/2003 Massaloux ..... D7/554.3
- D472,767 S \* 4/2003 Gebhardt ..... D7/545
- D478,477 S \* 8/2003 Tisdale ..... D7/586
- D480,923 S \* 10/2003 Neubourg ..... D7/554.3
- D492,884 S \* 7/2004 Swope ..... D7/505
- D508,818 S \* 8/2005 Hawkins ..... D7/360
- D523,186 S \* 6/2006 Northrop ..... D30/133
- D528,858 S \* 9/2006 Swope ..... D7/396.1
- D538,096 S \* 3/2007 Bartell ..... D6/613
- D538,576 S \* 3/2007 Bartell ..... D6/613
- D538,814 S \* 3/2007 Cranford ..... D14/459
- D541,488 S \* 4/2007 Marsh ..... D30/130
- D547,597 S \* 7/2007 Levy ..... D7/354
- D549,531 S \* 8/2007 Kishbaugh ..... D7/698
- D550,043 S \* 9/2007 Brattoli ..... 220/626
- D553,905 S \* 10/2007 Orr, Jr. .... D7/390
- D559,031 S \* 1/2008 Piccirilli ..... D7/354
- D560,099 S \* 1/2008 Hatcher ..... D7/554.3
- D575,077 S \* 8/2008 Kessels ..... D6/406.3
- D575,989 S \* 9/2008 McFarland ..... D7/554.3
- 7,506,763 B2 \* 3/2009 Hatcher ..... A47G 23/06  
206/564
- D590,655 S \* 4/2009 Freeman ..... D7/354
- D608,150 S \* 1/2010 Lilly ..... D7/552.1
- D615,721 S \* 5/2010 Martin ..... D34/1
- D635,380 S \* 4/2011 Kim ..... D32/25
- 7,992,714 B1 \* 8/2011 Devault ..... A47G 19/10  
206/564
- 8,006,843 B1 \* 8/2011 McFarland ..... B65D 1/34  
206/503
- D645,311 S \* 9/2011 Shamoan ..... D7/698
- D652,259 S \* 1/2012 Hatcher ..... D7/553.5
- D653,083 S \* 1/2012 Hatcher ..... D7/553.5
- D654,301 S \* 2/2012 Bradley ..... D7/354
- D658,917 S \* 5/2012 Harris ..... D6/582
- D659,913 S \* 5/2012 Spectre ..... D30/130
- 8,167,129 B2 \* 5/2012 Hatcher ..... A47G 23/06  
206/564
- D664,405 S \* 7/2012 Chen ..... D7/698
- D666,044 S \* 8/2012 Todd ..... D6/582
- D683,191 S \* 5/2013 Espinoza ..... D7/554.3
- D697,757 S \* 1/2014 Xin ..... D7/409
- D700,003 S \* 2/2014 Lagsdin ..... D7/354
- D722,407 S \* 2/2015 Roslonski ..... D30/130
- D725,836 S \* 3/2015 Avalos Sartorio ..... D30/121
- 8,967,421 B2 \* 3/2015 Starkey-Johnson .... B44D 3/00  
206/564
- D727,576 S \* 4/2015 Avalos Sartorio ..... D30/121
- 9,044,077 B1 \* 6/2015 Lin ..... A45D 44/00
- D735,531 S \* 8/2015 Wilson ..... D7/505
- D738,027 S \* 9/2015 Wang ..... D26/85
- D738,695 S \* 9/2015 Hsieh ..... D7/698
- D745,327 S \* 12/2015 Laurain ..... D6/614
- D754,467 S \* 4/2016 Misner ..... D7/352
- D766,659 S \* 9/2016 Laurain ..... D30/130
- D767,941 S \* 10/2016 Laurain ..... D6/616
- 9,462,903 B2 \* 10/2016 Laurain ..... A47G 19/02
- 9,504,285 B2 \* 11/2016 Lin ..... B65D 73/00
- D774,361 S \* 12/2016 Laurain ..... D6/616
- D774,831 S \* 12/2016 Gebhardt ..... D7/554.3
- D774,887 S \* 12/2016 Torrison ..... D9/416
- D802,368 S \* 11/2017 Peng ..... D7/553.2
- D802,853 S \* 11/2017 MacNeil ..... D30/133
- D807,705 S \* 1/2018 Laurain ..... D7/555
- D812,433 S \* 3/2018 Kwok ..... D7/553.4
- D820,629 S \* 6/2018 Lum ..... D7/354
- 9,992,972 B2 \* 6/2018 Avila ..... A01K 5/0142
- D824,119 S \* 7/2018 Yang ..... D30/130
- D826,637 S \* 8/2018 Thurlow ..... D7/409
- D836,990 S \* 1/2019 Hakim ..... D7/553.4
- D850,858 S \* 6/2019 Roaks ..... D7/555
- D865,452 S \* 11/2019 Hertaus ..... D7/554.3
- D870,982 S \* 12/2019 Tsai ..... D30/129
- D871,158 S \* 12/2019 Redjal ..... D7/584
- D873,503 S \* 1/2020 MacNeil ..... D30/133
- D873,504 S \* 1/2020 MacNeil ..... D30/133
- 2005/0229793 A1 \* 10/2005 Wengrovsky ..... A47G 19/02  
99/483
- 2005/0235919 A1 \* 10/2005 Willinger ..... A01K 5/0114  
119/61.5
- 2009/0068423 A1 \* 3/2009 Coletta ..... A01K 1/0157  
428/203
- 2012/0186497 A1 \* 7/2012 Spano ..... A01K 5/0114  
108/26
- 2012/0273384 A1 \* 11/2012 Jaswal ..... A47G 23/06  
206/563
- 2015/0305533 A1 \* 10/2015 Yao ..... A47G 21/04  
220/574.1
- 2016/0073805 A1 \* 3/2016 Laurain ..... A47G 19/02  
220/575
- 2017/0280675 A1 \* 10/2017 MacNeil ..... A01K 5/0135
- 2017/0280904 A1 \* 10/2017 Laurain ..... A47G 19/02

\* cited by examiner



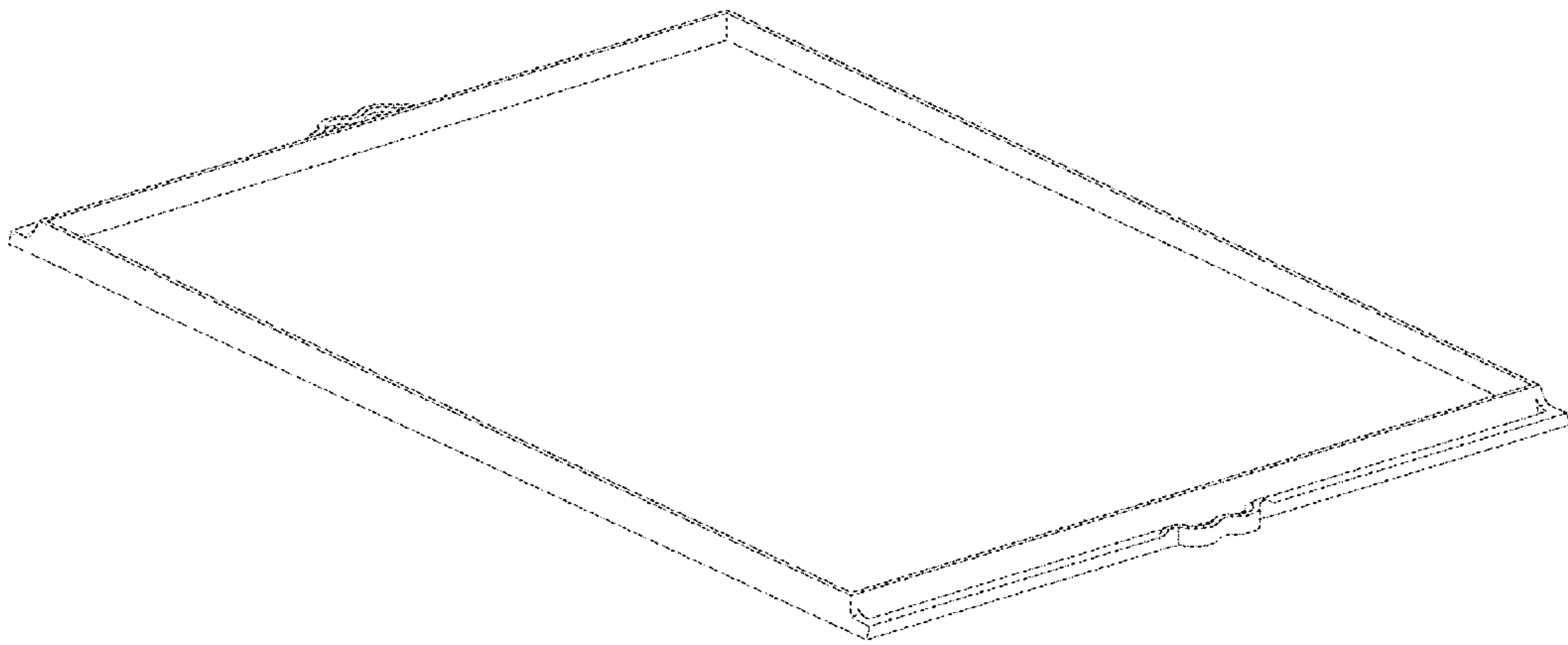
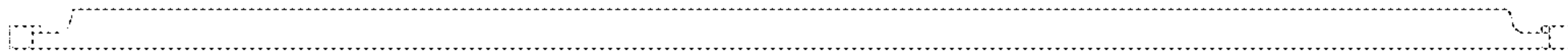


FIG.1



FIG.2



**FIG.3**

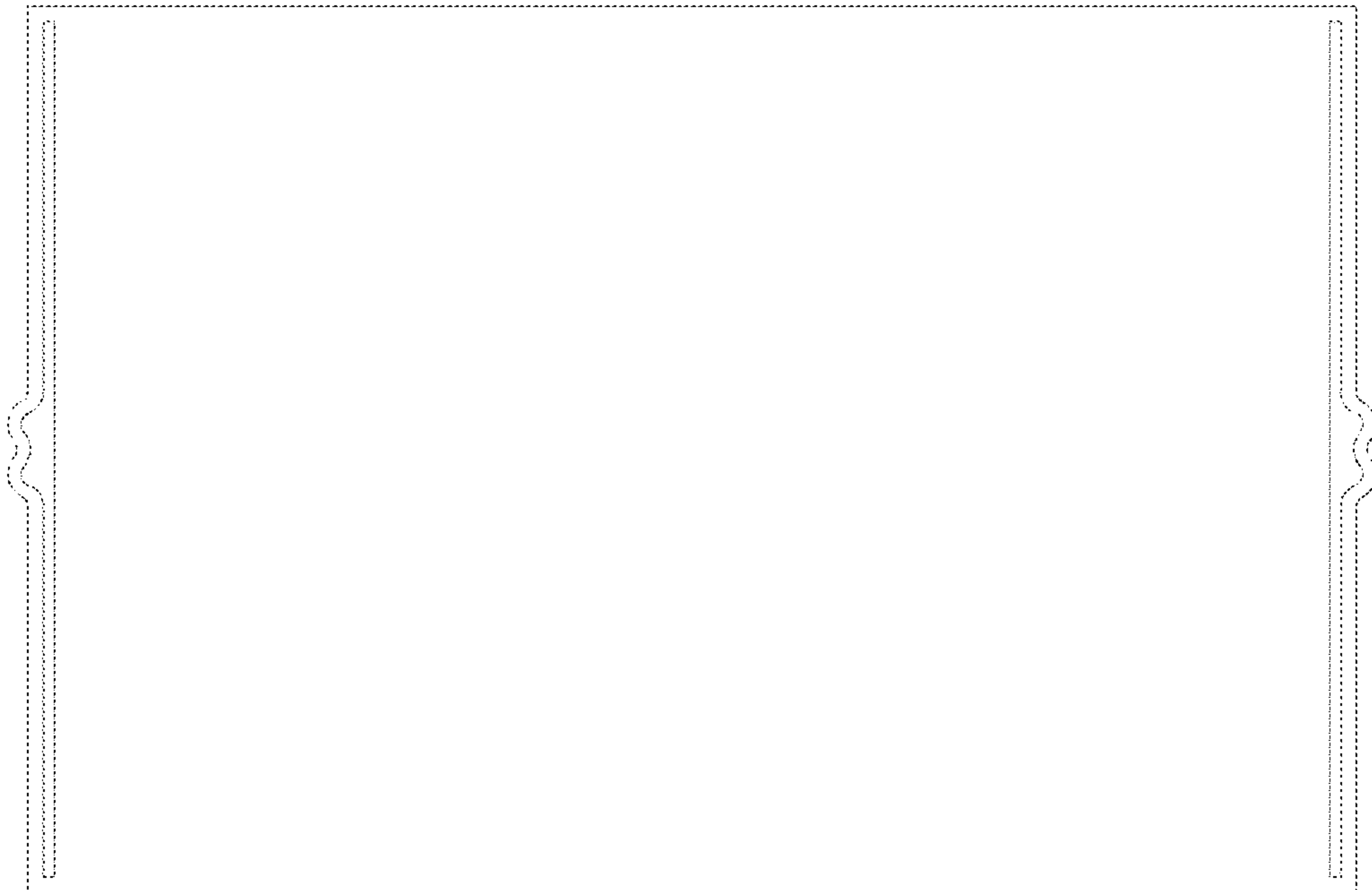


FIG.4

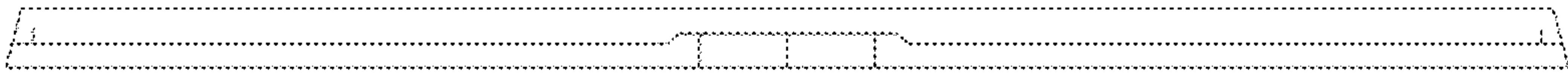
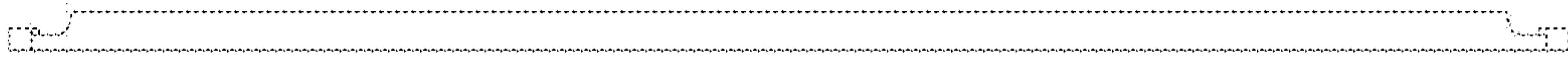


FIG.5



**FIG.6**



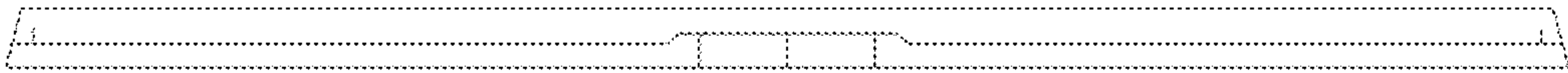


FIG.7