



US00D884985S

(12) **United States Design Patent**
Chen et al.

(10) **Patent No.:** **US D884,985 S**
(45) **Date of Patent:** **** May 19, 2020**

(54) **PET FEEDER**

(71) Applicant: **Dogness Group LLC**, Plano, TX (US)

(72) Inventors: **Silong Chen**, Dongguan (CN); **Yunhao Chen**, Plano, TX (US)

(**) Term: **15 Years**

(21) Appl. No.: **29/685,159**

(22) Filed: **Mar. 27, 2019**

(30) **Foreign Application Priority Data**

Jan. 21, 2019 (CN) 2019 3 0030626

(51) **LOC (12) Cl.** **30-07**

(52) **U.S. Cl.**
USPC **D30/122**

(58) **Field of Classification Search**

USPC D30/121, 122, 129-133, 120; 119/61.5, 119/51.01, 61.56, 51.03, 59, 62, 63, 51.5, 119/57.8, 74, 61.54, 61.55, 53, 53.5, 75, 119/56.2, 51.02, 51.11, 51.12, 57.1, 52.1, 119/515; 312/204; 248/151, 188; 108/156, 153.1-157; 220/23.87, 630, 220/737, 743, 9.4, 495.01, 574, 212, 255, 220/23.83; 206/515; D7/586, 543, D7/550.1, 587, 505, 584, 545, 500, D7/553.1-553.8, 546, 555, 556, 504, 565, D7/562, 602, 605, 312, 313, 320, 307, D7/306, 309, 354, 311, 399, 397, 323, D7/332, 331, 347, 346, 322, 318, 317, D7/316, 619.1; D9/429; 43/109; D22/122; 99/430, DIG. 15, 280, 285, 99/312; 222/209, 131, 363, 349, 517, 222/153.13, 401, 1, 146.5, 23, 54, 64, 51, 222/156, 399, 400.8; 219/438, 439, 441, 219/385, 386, 402, 407; 210/94, 184, 210/474, 477

CPC A01K 5/02; A01K 5/0225; A01K 5/0114; A01K 5/0142; A01K 5/025; A01K 5/0266; A01K 5/0275; A01K 5/0283;

A01K 5/0291; A01K 5/0258; A01K 5/0233; A01K 29/00; A01K 7/00; G01F 11/24; G01F 23/02; B67D 1/0425; B67D 1/04; B67D 1/00; B67D 1/02; B67D 1/0871; B67D 1/0802; A47J 41/0033; A47J 41/005; A47J 41/0088; A47J 41/0094; A47J 31/04; A47J 31/053; B05B 11/00; B05B 11/0002; B05B 11/0005; B05B 11/001; C02F 1/003; C02F 1/283; C02F 2307/02

See application file for complete search history.

(56) **References Cited**

U.S. PATENT DOCUMENTS

D232,550 S * 8/1974 Fushihara D23/207
D234,144 S * 1/1975 Fassauer D30/132
D237,964 S * 12/1975 Choponis D25/16

(Continued)

Primary Examiner — Susan Moon Lee

(74) *Attorney, Agent, or Firm* — ZANIP

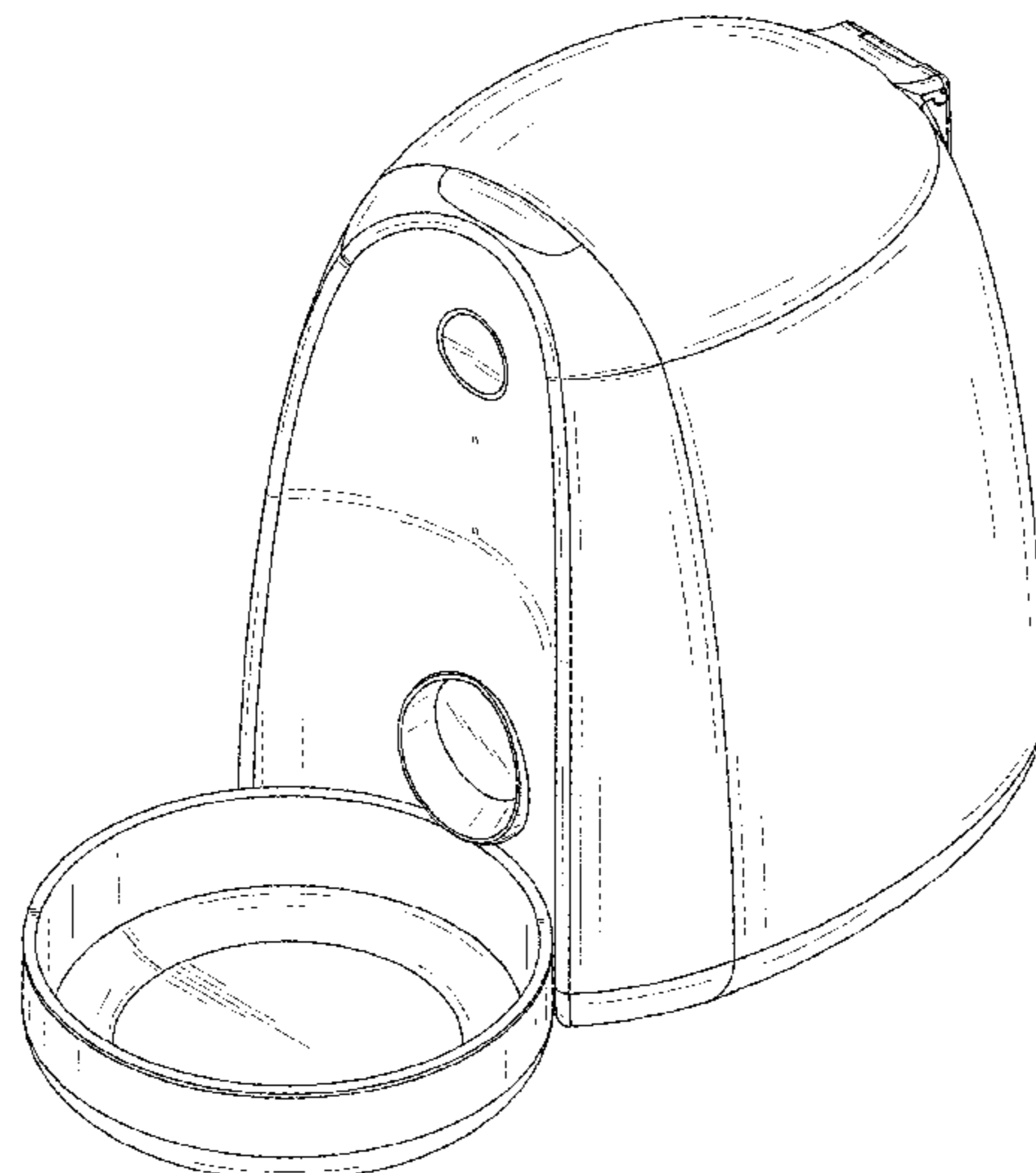
(57) **CLAIM**

The ornamental design for a pet feeder, as shown and described.

DESCRIPTION

FIG. 1 is a front elevation view of a pet feeder showing my new design;
FIG. 2 is a rear elevation view thereof;
FIG. 3 is a left side elevation view thereof;
FIG. 4 is a right side elevation view thereof;
FIG. 5 is a top plan view thereof;
FIG. 6 is a bottom view thereof;
FIG. 7 is a front perspective view thereof;
FIG. 8 is a rear perspective view thereof; and,
FIG. 9 is a bottom perspective view thereof.
The broken lines depict unclaimed features of the pet feeder, shown for purposes of illustration, that form no part of the claimed design.

1 Claim, 9 Drawing Sheets



(56)

References Cited

U.S. PATENT DOCUMENTS

D274,929 S * 7/1984 Davis D23/207
 4,721,063 A * 1/1988 Atchley A01K 5/0114
 119/52.1
 5,239,943 A * 8/1993 Kim A01K 5/0291
 119/51.12
 D348,336 S * 6/1994 Woo D30/122
 D351,261 S * 10/1994 Woo D30/122
 5,404,838 A * 4/1995 Khan A01K 5/0114
 119/51.5
 D391,450 S * 3/1998 Rausch D7/605
 D431,145 S * 9/2000 Woebcke D7/306
 D432,279 S * 10/2000 Kim D30/121
 D472,350 S * 3/2003 Northrop D30/121
 7,040,249 B1 * 5/2006 Mushen A01K 5/0225
 119/51.5
 7,228,816 B2 * 6/2007 Turner A01K 5/0114
 119/51.02
 7,263,953 B2 * 9/2007 Sundararajan A01K 5/0275
 119/496
 D563,142 S * 3/2008 Kauer D7/306
 7,426,901 B2 * 9/2008 Turner A01K 5/0114
 119/51.02
 D581,196 S * 11/2008 Kassenaar D7/306
 D581,197 S * 11/2008 Kassenaar D7/306
 D586,169 S * 2/2009 Kennedy D7/306
 D621,555 S * 8/2010 Hewson D30/121
 D621,556 S * 8/2010 Hewson A01K 7/00
 D30/121
 7,895,973 B1 * 3/2011 Whelan A01K 5/025
 119/51.02
 7,984,694 B2 * 7/2011 Wu A01K 5/0114
 119/51.02
 8,166,922 B2 * 5/2012 Jalbert A01K 1/0107
 119/501
 8,347,817 B1 * 1/2013 Miller A01K 5/0291
 119/54
 8,578,882 B2 * 11/2013 Araujo A01K 5/02
 119/51.01
 8,596,219 B1 * 12/2013 Miller A01K 5/0291
 119/51.02

8,627,786 B2 * 1/2014 Arthur A01K 5/0283
 119/51.02
 8,701,595 B2 * 4/2014 Jin A01K 5/0291
 119/51.01
 D731,124 S * 6/2015 Shin D30/122
 9,795,115 B2 * 10/2017 Ausman A01K 5/0233
 10,058,072 B2 * 8/2018 Jin A01K 5/0233
 D835,356 S * 12/2018 Xie D30/122
 D840,115 S * 2/2019 Nieves D30/122
 D843,665 S * 3/2019 Zeng D30/122
 D852,431 S * 6/2019 Ma D30/122
 2002/0096120 A1 * 7/2002 Busha A01K 5/0291
 119/51.5
 2005/0217591 A1 * 10/2005 Turner A01K 5/0114
 119/51.02
 2005/0252457 A1 * 11/2005 Morosin A01K 5/0291
 119/51.13
 2007/0193524 A1 * 8/2007 Turner A01K 5/0114
 119/51.02
 2008/0078330 A1 * 4/2008 McCallum A01K 7/02
 119/72
 2008/0257272 A1 * 10/2008 Bolda A01K 7/02
 119/72
 2011/0146580 A1 * 6/2011 Jalbert A01K 1/0107
 119/51.02
 2013/0333622 A1 * 12/2013 Jin A01K 5/0291
 119/51.01
 2015/0101543 A1 * 4/2015 Baxter A01K 5/0142
 119/498
 2016/0007564 A1 * 1/2016 Ma A01K 5/0225
 119/57.1
 2016/0227738 A1 * 8/2016 Ausman A01K 5/0233
 2016/0235035 A1 * 8/2016 Ma A01K 5/0225
 2016/0270369 A1 * 9/2016 Jin A01K 5/0114
 2016/0286755 A1 * 10/2016 Feng A01K 5/0291
 2016/0295836 A1 * 10/2016 Cheng A01K 5/02
 2017/0099804 A1 * 4/2017 Chang G08C 17/02
 2017/0202178 A1 * 7/2017 Gordon A01K 5/0275
 2018/0027763 A1 * 2/2018 Veness A01K 5/0114
 2018/0199541 A1 * 7/2018 Huang A01K 5/0114
 2018/0303062 A1 * 10/2018 Simard A01K 5/0291

* cited by examiner

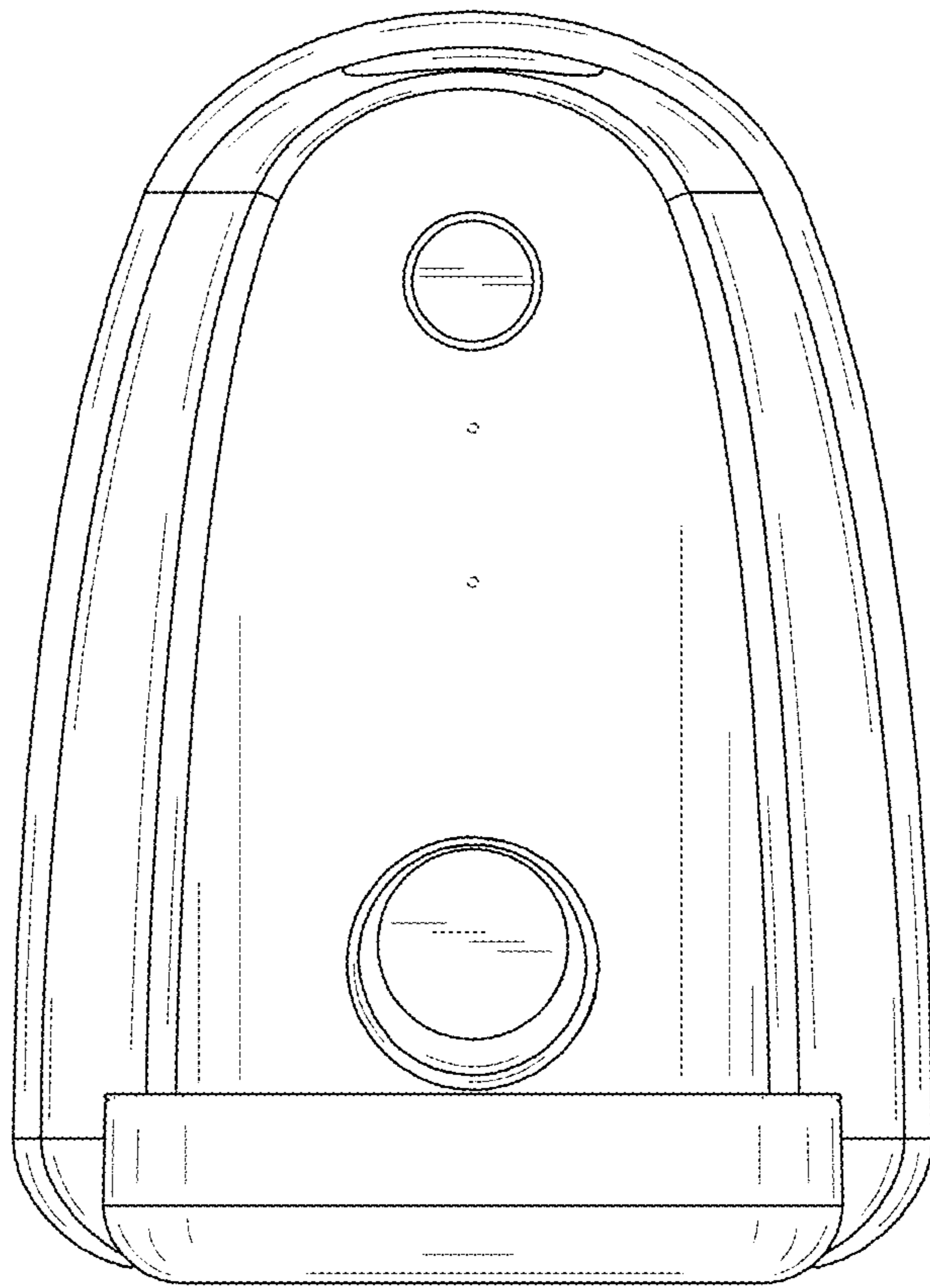


FIG.1

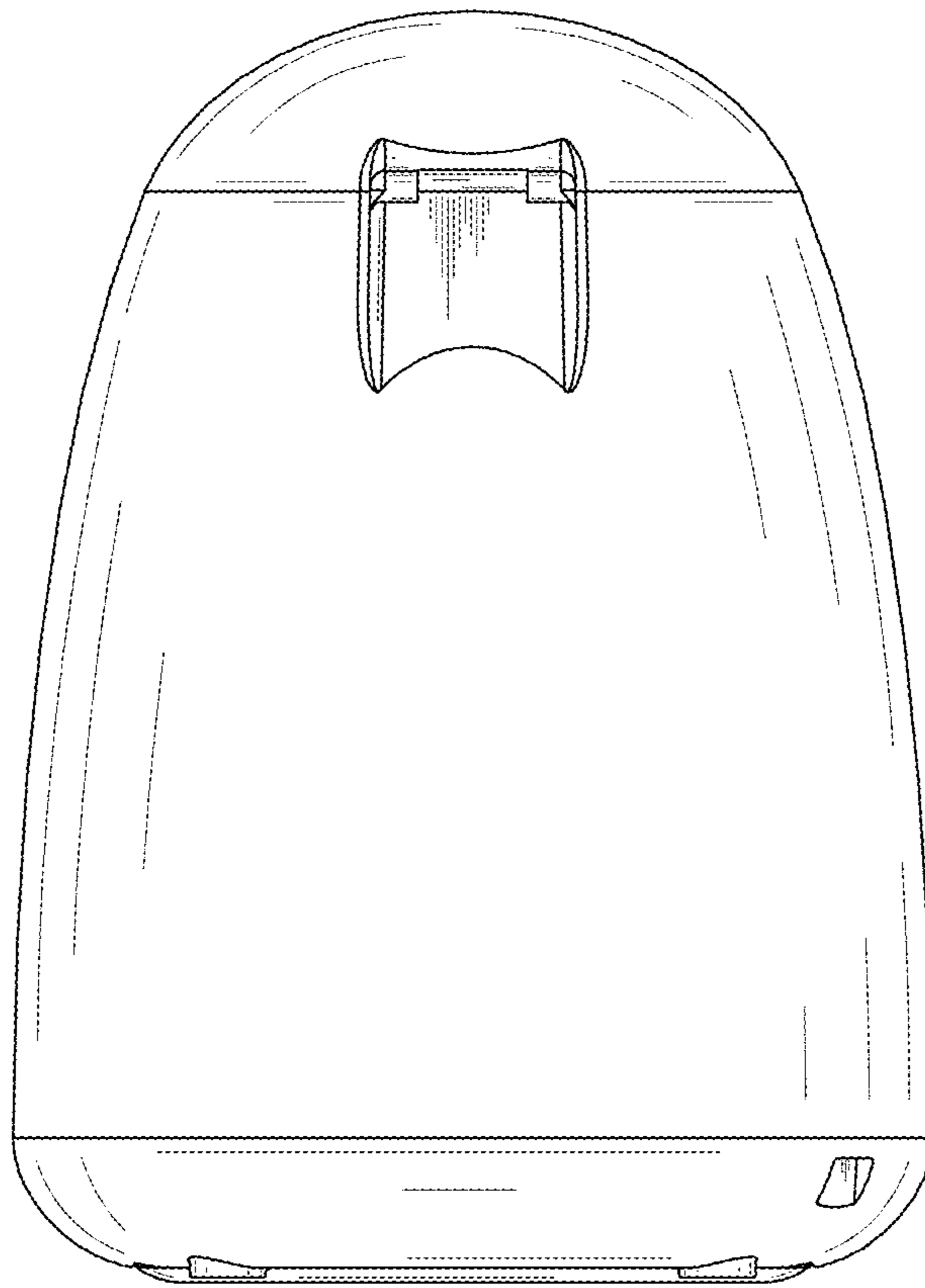


FIG. 2

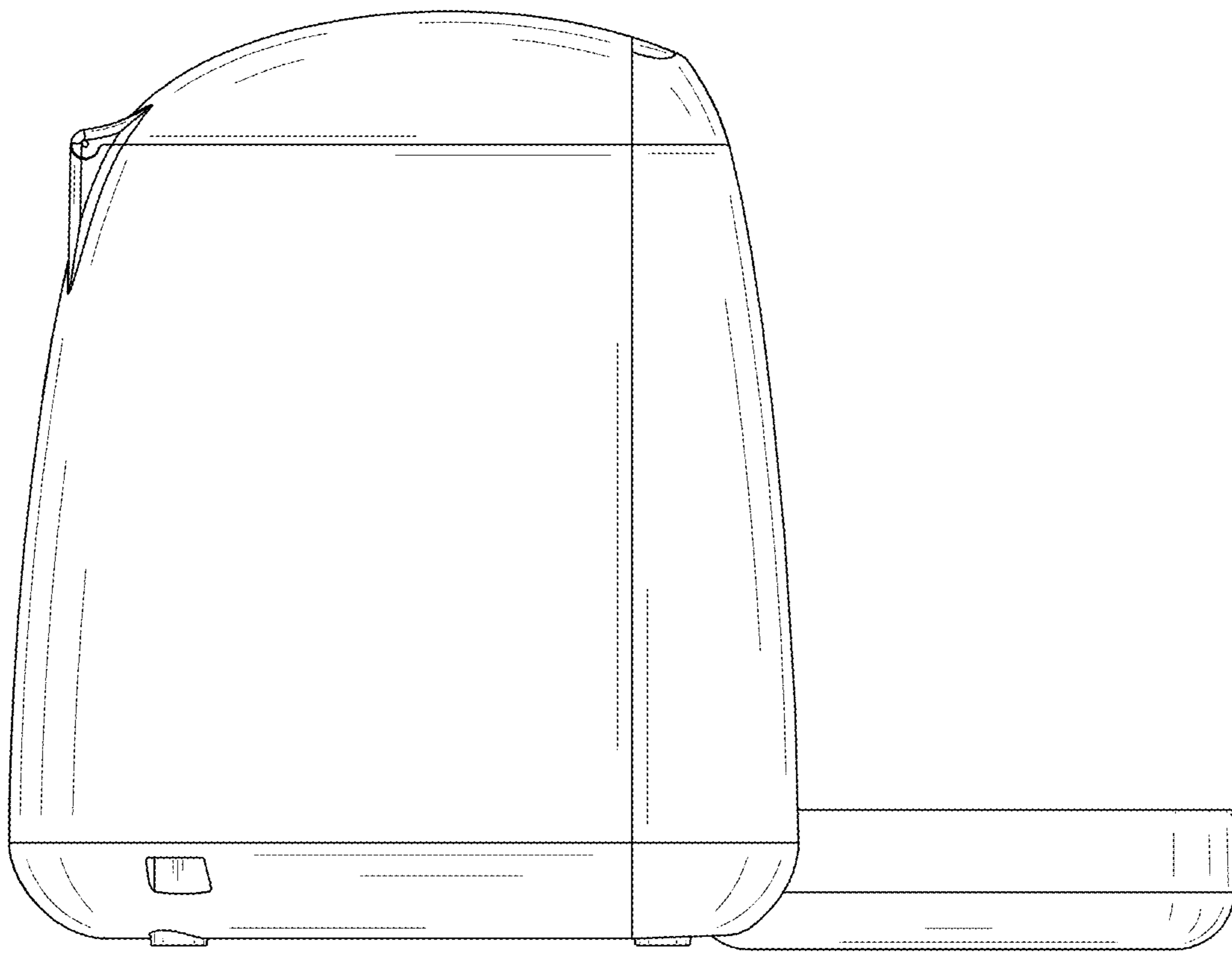


FIG.3

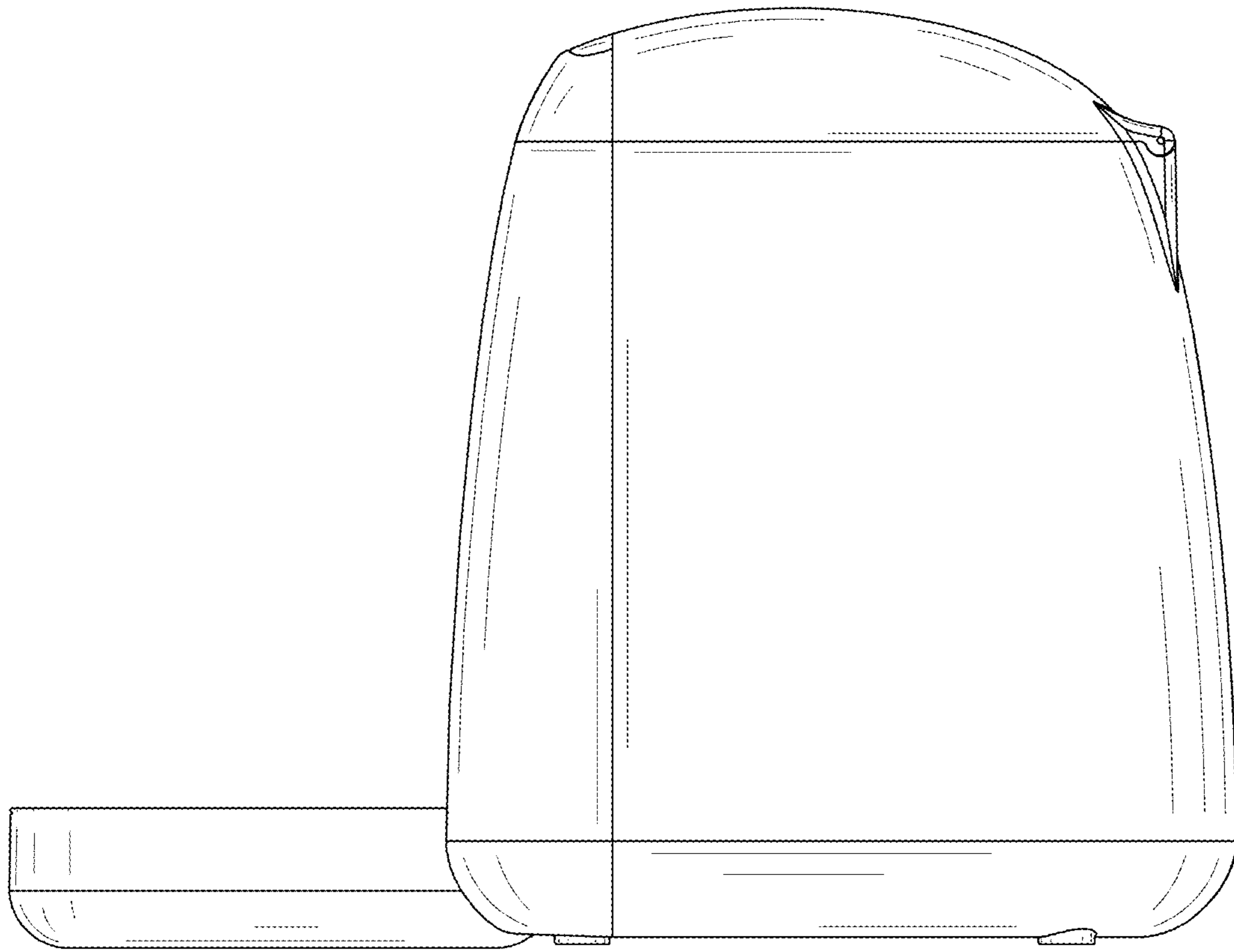


FIG.4

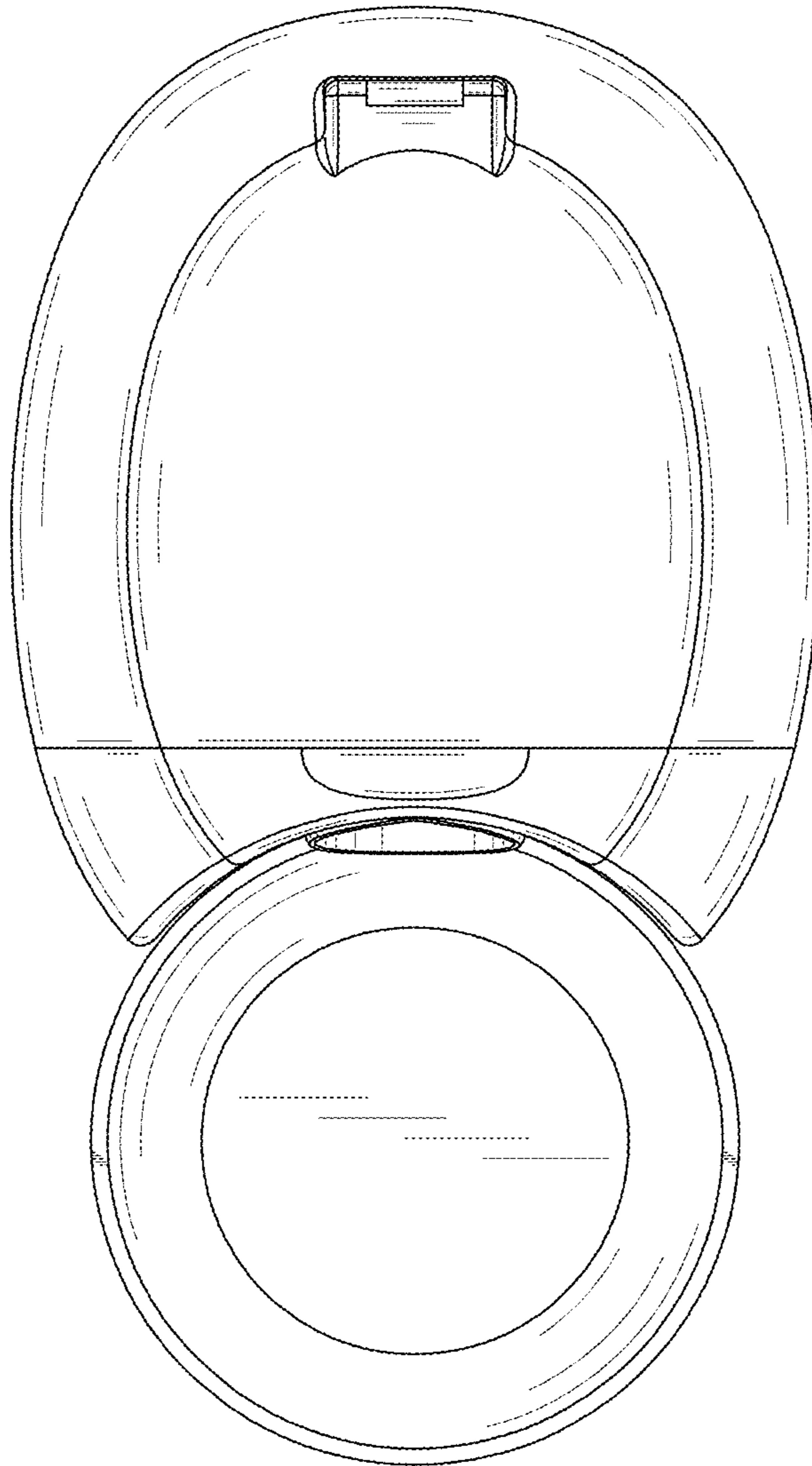


FIG.5

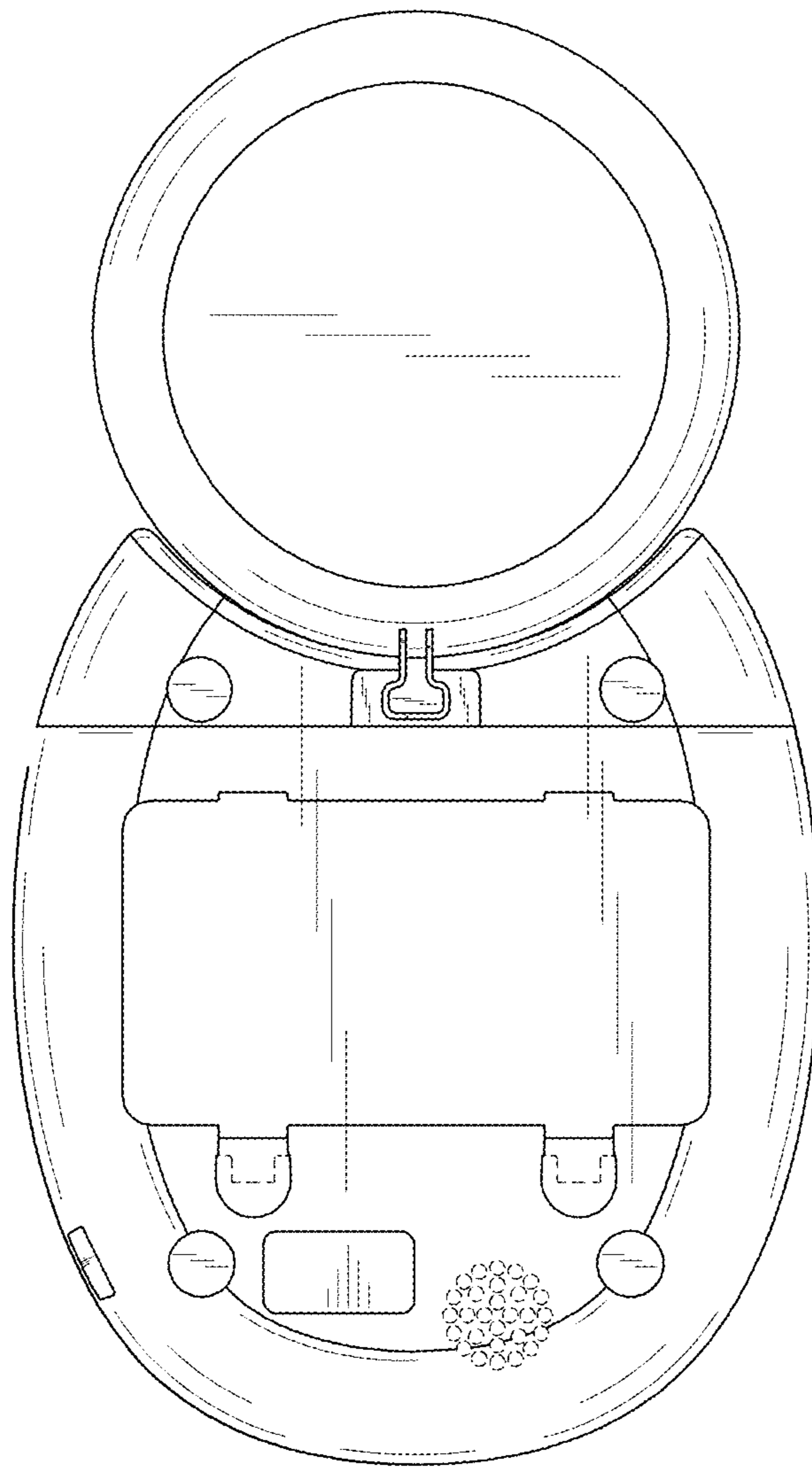


FIG.6

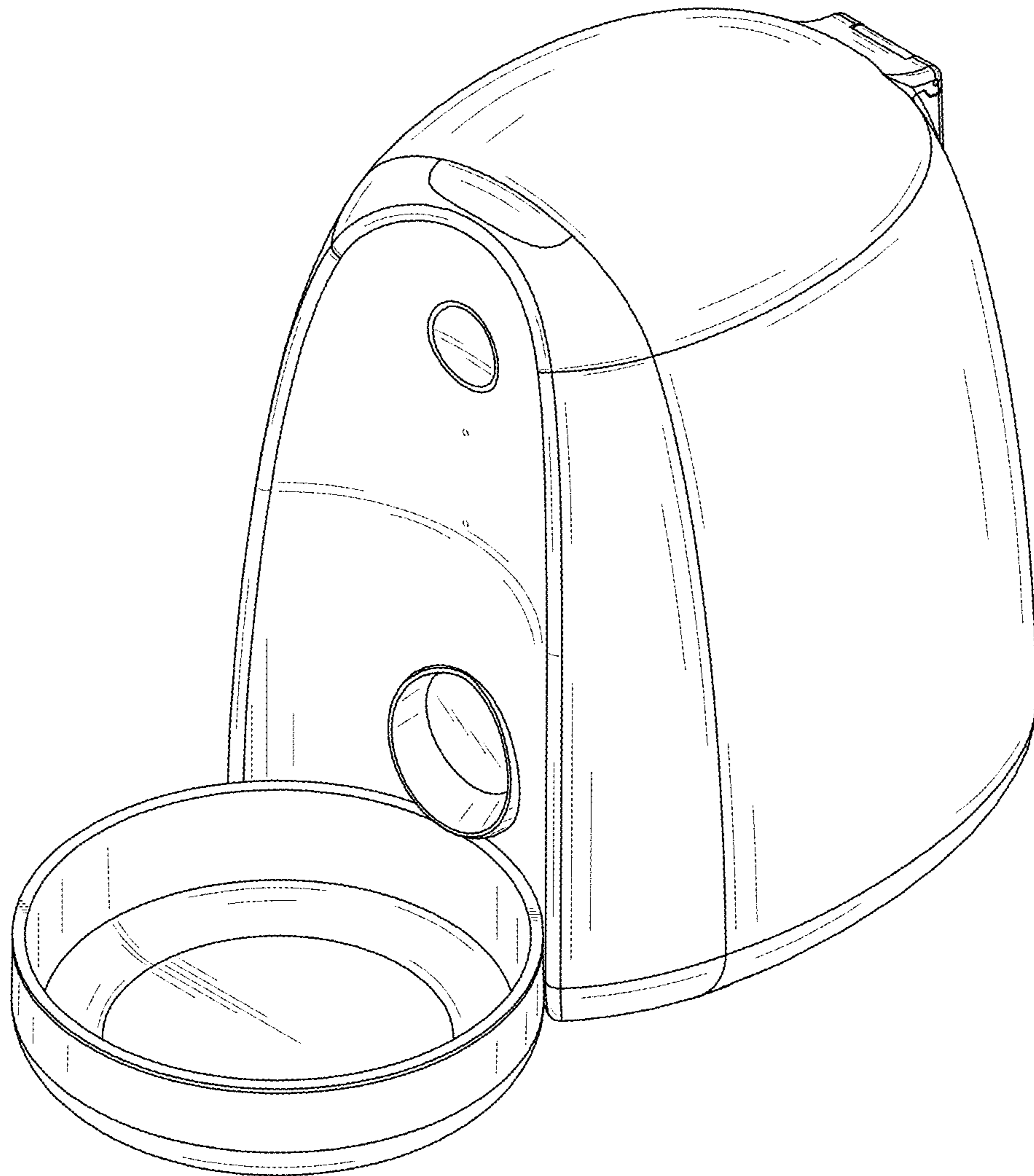


FIG. 7

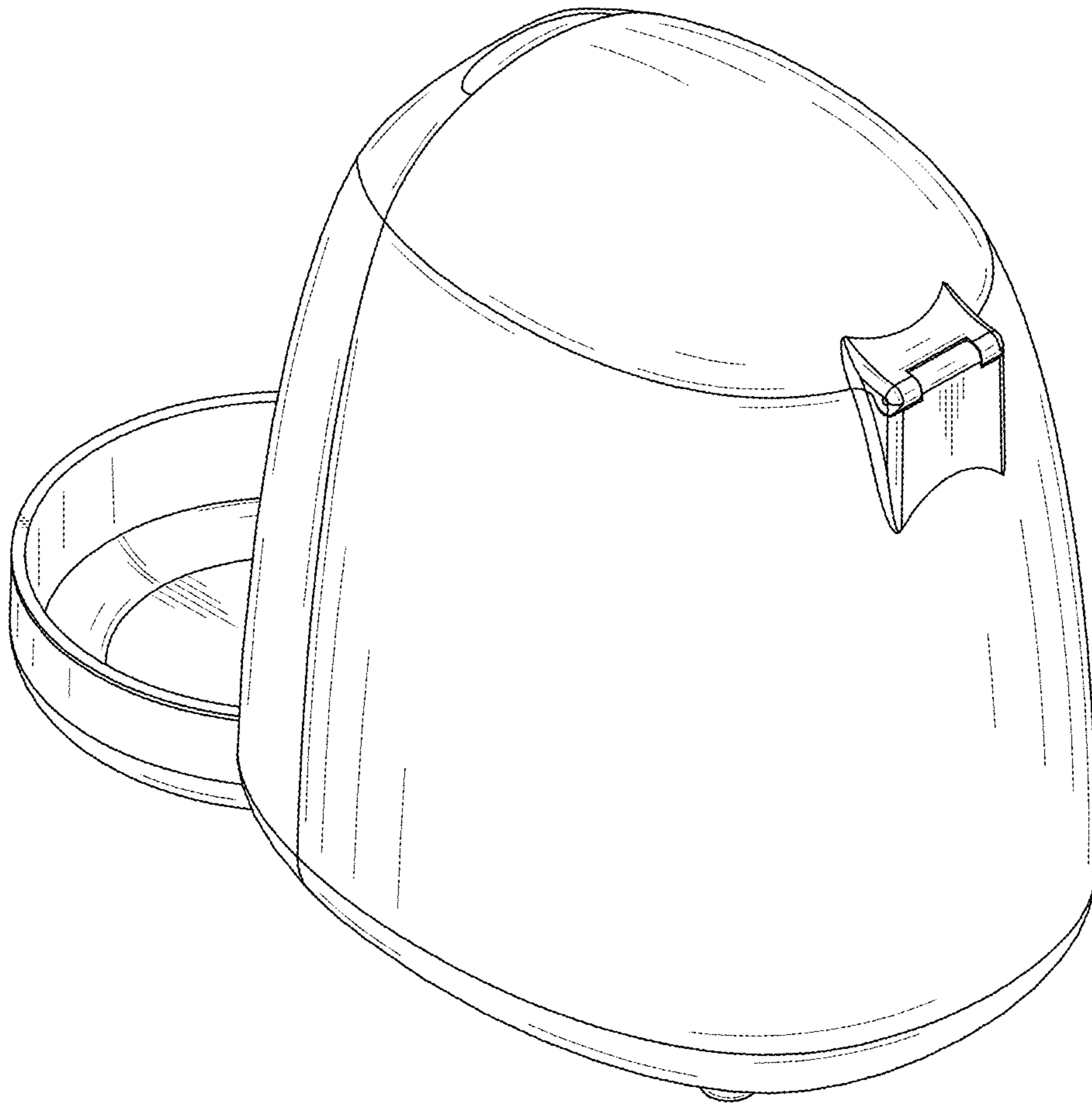


FIG.8

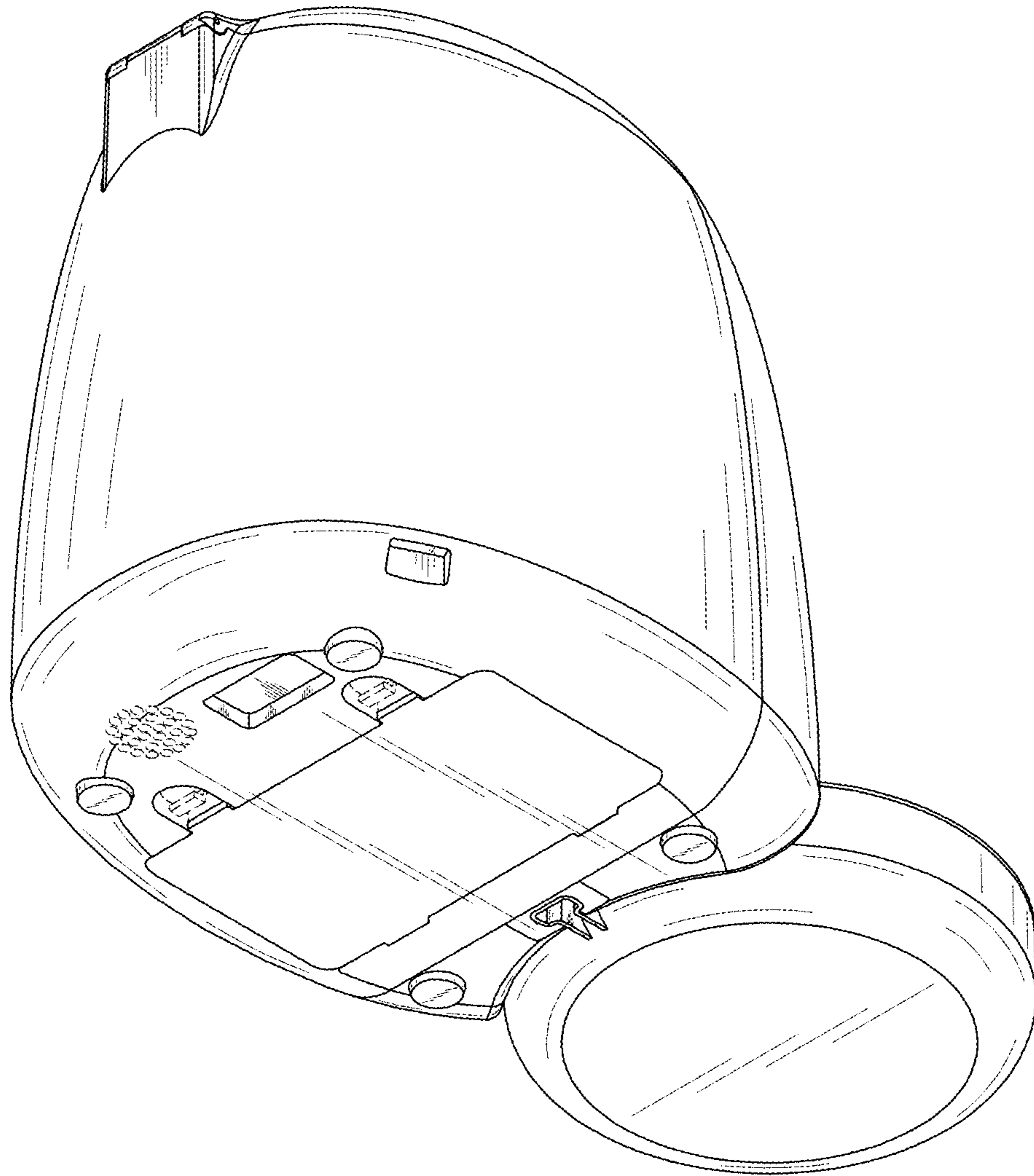


FIG.9