



US00D884984S

(12) **United States Design Patent**
Bernardini et al.

(10) **Patent No.:** **US D884,984 S**

(45) **Date of Patent:** **** May 19, 2020**

- (54) **RUNNING WHEEL**
- (71) Applicant: **Techniplast S.P.A.**, Buguggiate (IT)
- (72) Inventors: **Pietro Bernardini**, Casciago (IT);
Mauro Tarrone, Inarzo (IT); **Simone Cassetti**, Legnano (IT)
- (73) Assignee: **TECHNIPLAST S.P.A.**, Buguggiate (IT)
- (**) Term: **15 Years**
- (21) Appl. No.: **29/646,188**
- (22) Filed: **May 2, 2018**
- (51) **LOC (12) Cl.** **30-02**
- (52) **U.S. Cl.**
USPC **D30/119; D30/160**
- (58) **Field of Classification Search**
USPC **D30/108, 112, 119, 160**
See application file for complete search history.

- 4,171,682 A * 10/1979 Merino A01K 1/035
119/452
- 4,389,047 A * 6/1983 Hall A63B 21/0054
482/2
- D270,297 S * 8/1983 Lovitt D30/108
- 4,498,421 A * 2/1985 Lovitt A01K 1/03
119/479

(Continued)

OTHER PUBLICATIONS

“Techniplast—GYM500 Running Wheel.” Found online Sep. 19, 2019 at www.techniplast.it. Page dated May 2018. Retrieved from URL: <https://www.techniplast.it/en/news/gym500-running-wheel-techniplast-new-enrichment-specifically-designed-to-promote-mice-voluntary-activity-in-ivcs.html> (Year: 2018).*

(Continued)

Primary Examiner — Mary Ann Calabrese
Assistant Examiner — Katelin G Kloberg
(74) *Attorney, Agent, or Firm* — Stetina Brunda Garred and Brucker

(56) **References Cited**

U.S. PATENT DOCUMENTS

- 1,632,380 A * 6/1927 Hascal A01K 31/06
119/467
- RE18,273 E * 12/1931 Freer A01K 15/027
119/700
- 1,887,869 A * 11/1932 Clampitt A01K 31/06
119/468
- 2,681,638 A * 6/1954 Carvell A01K 15/027
119/700
- 3,682,477 A * 8/1972 Harkins A01K 15/027
119/702
- 3,869,119 A * 3/1975 Oxley A63B 19/04
472/45
- D240,306 S * 6/1976 Suchowski D30/160
- D244,474 S * 5/1977 Yamazaki D30/160
- D246,914 S * 1/1978 Dinnerstein D30/112
- 4,088,094 A * 5/1978 Howard A01K 15/027
119/700

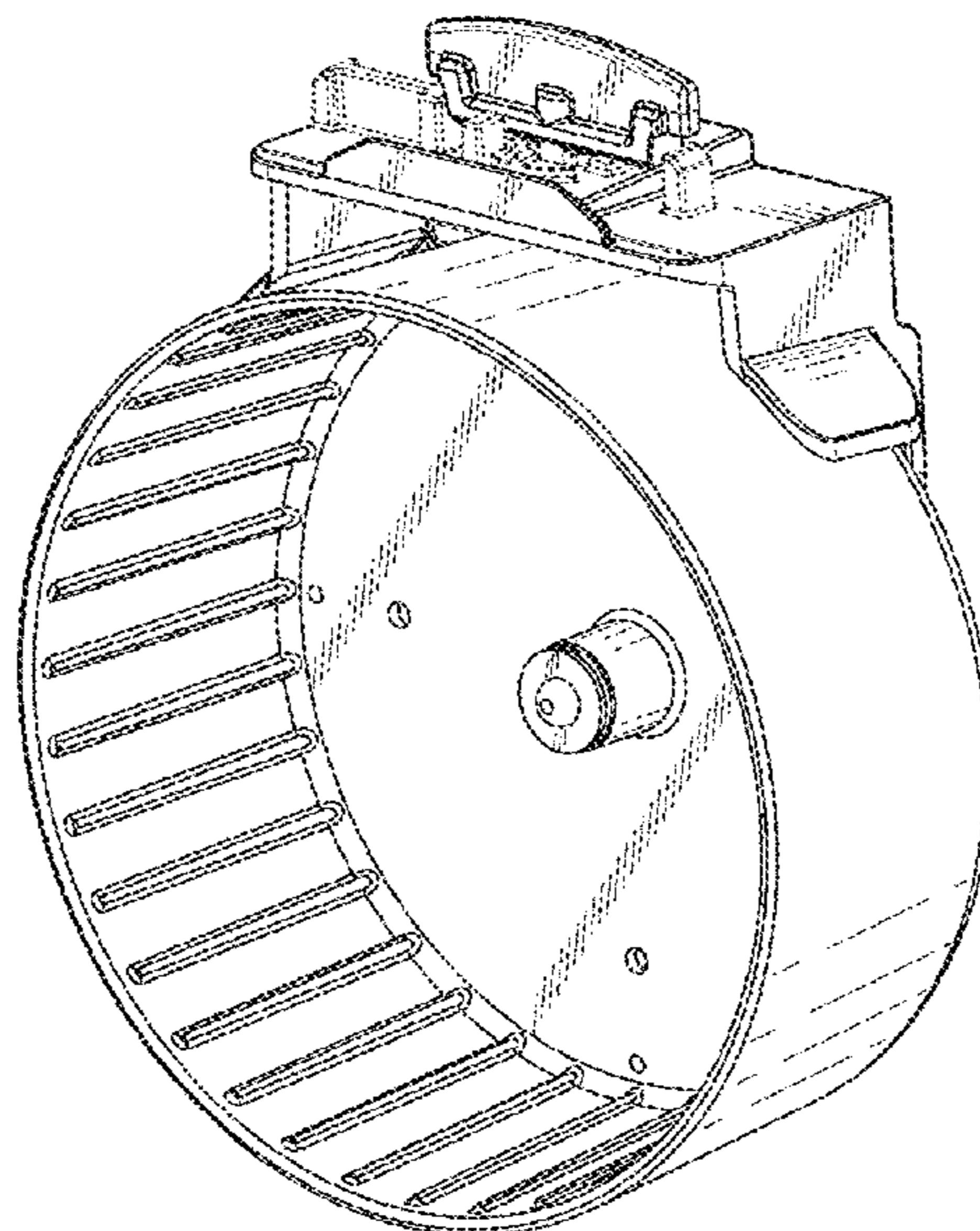
(57) **CLAIM**

The ornamental design for a running wheel, as shown and described.

DESCRIPTION

FIG. 1 is a perspective view of a running wheel, showing our new design;
FIG. 2 is a front elevational view thereof;
FIG. 3 is a right side elevational view thereof;
FIG. 4 is a left side elevational view thereof;
FIG. 5 is a rear elevational view thereof;
FIG. 6 is a top plan view thereof; and,
FIG. 7 is a bottom plan view thereof.
The broken lines depict portions of the article that form no part of the claimed design.

1 Claim, 7 Drawing Sheets



(56)

References Cited

U.S. PATENT DOCUMENTS

5,051,638 A * 9/1991 Pyles A63B 21/0051
310/105
5,125,361 A * 6/1992 Rowlands A01K 15/027
119/700
D360,713 S * 7/1995 Schiefer D30/160
5,649,503 A * 7/1997 Woolfolk A01K 15/027
119/700
6,412,443 B1 * 7/2002 Miller A01K 15/025
119/700
D484,284 S * 12/2003 Venson D30/160
7,299,767 B2 * 11/2007 Tominaga A01K 1/03
119/421
7,770,539 B1 * 8/2010 Zimmerman A01K 15/027
119/700
8,069,822 B2 * 12/2011 Ho A01K 15/027
119/700
8,191,511 B2 * 6/2012 Forest A01K 15/027
119/421
8,397,678 B2 * 3/2013 Willinger A01K 15/027
119/452
8,807,042 B2 * 8/2014 Vittoz A63G 27/00
104/74
9,694,226 B1 * 7/2017 Vargas A61H 1/02

9,901,076 B1 * 2/2018 Tucker A01K 15/027
10,182,555 B2 * 1/2019 Farley A01K 15/027
2003/0056735 A1 * 3/2003 Hull A01K 15/02
119/702
2005/0087145 A1 * 4/2005 Bordelon A01K 13/00
119/600
2008/0141946 A1 * 6/2008 Kalani A01K 15/027
119/700
2011/0124468 A1 * 5/2011 Incerti Fornaciari .. A63B 19/04
482/8
2011/0162586 A1 * 7/2011 Ho A01K 15/027
119/704
2011/0214614 A1 * 9/2011 Sharp A01K 29/00
119/166

OTHER PUBLICATIONS

“Best Hamster Wheel—Top Hamster Wheels Reviewed.” Found online Sep. 19, 2019 at squeaksandnibbles.com. Page dated Aug. 30, 2019. Retrieved from URL: <https://squeaksandnibbles.com/hamster-wheels/> (Year: 2019).*

“Kaytee Comfort Wheel Large.” Found online Sep. 19, 2019 at www.amazon.com. Product reviewed May 20, 2016. Retrieved from URL: <https://tinyurl.com/y5j2mr7j> (Year: 2016).*

* cited by examiner

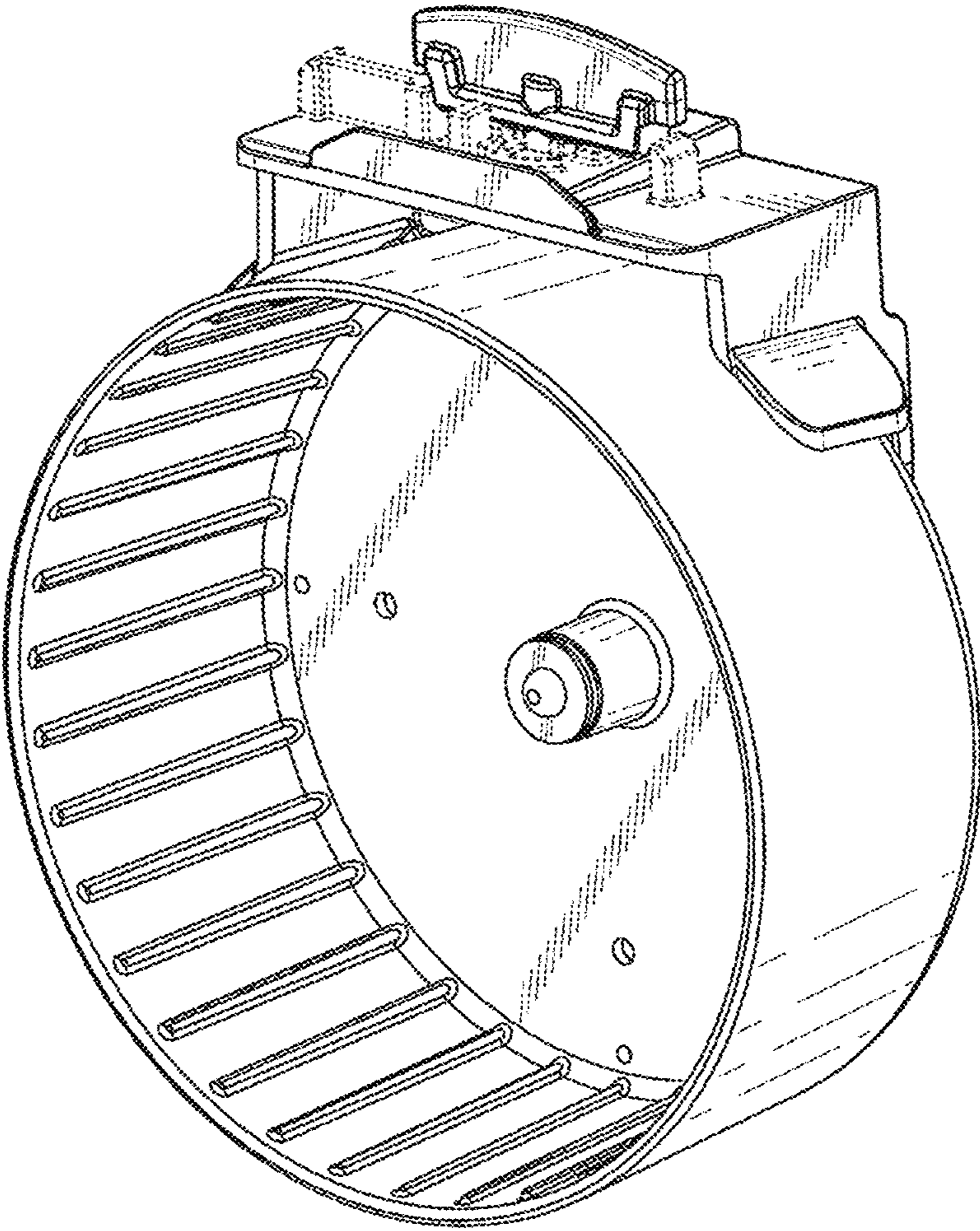


FIG. 1

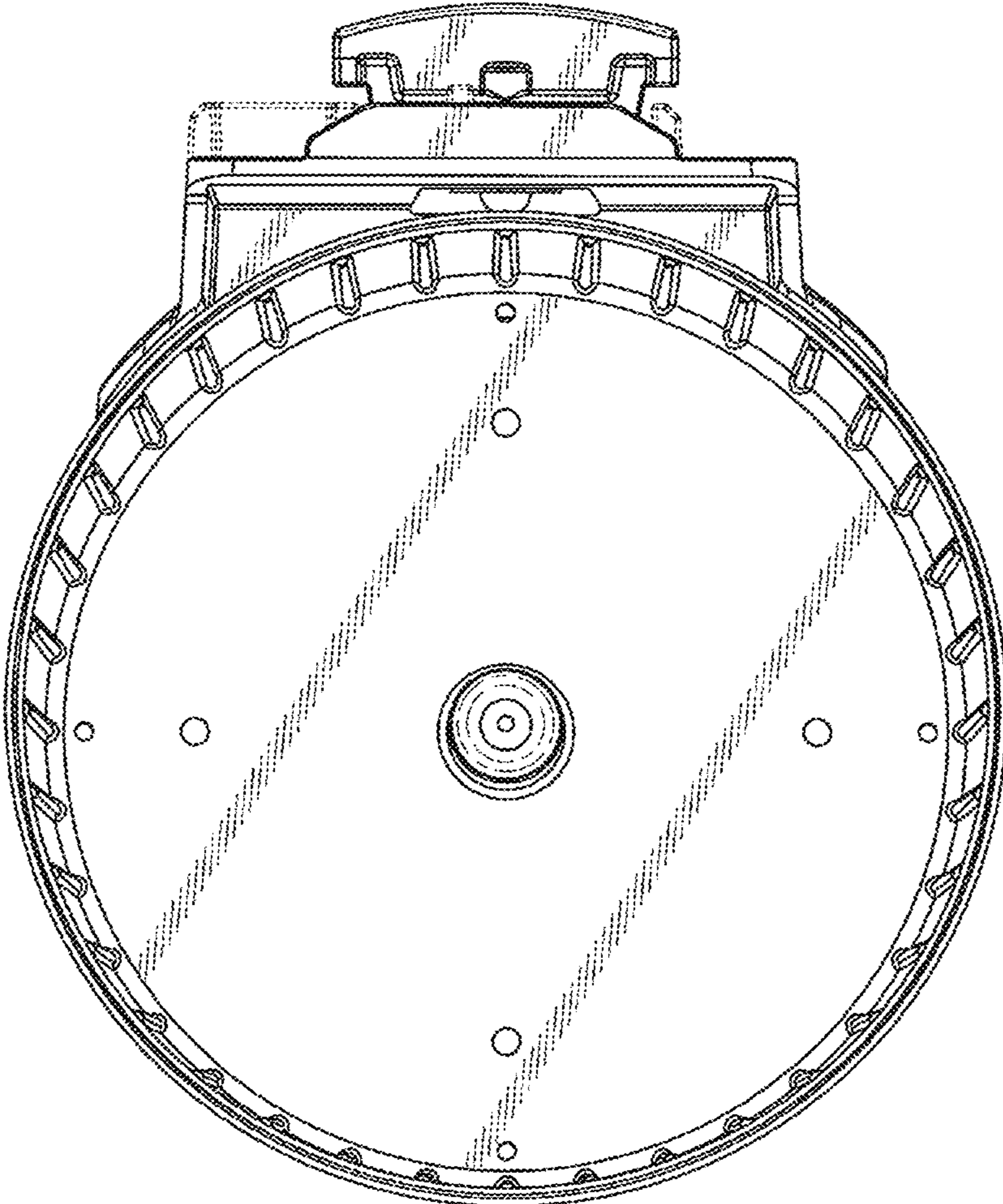


FIG. 2

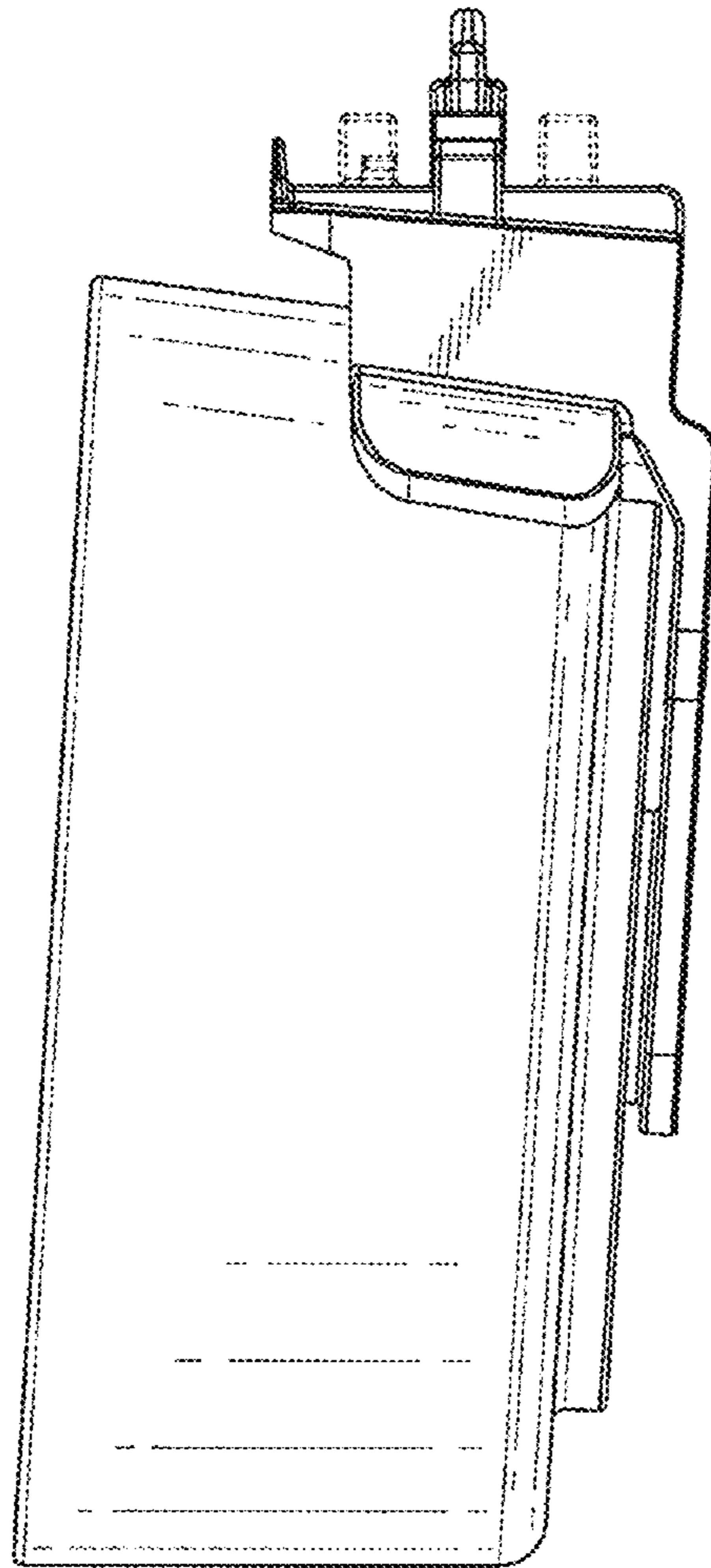


FIG. 3

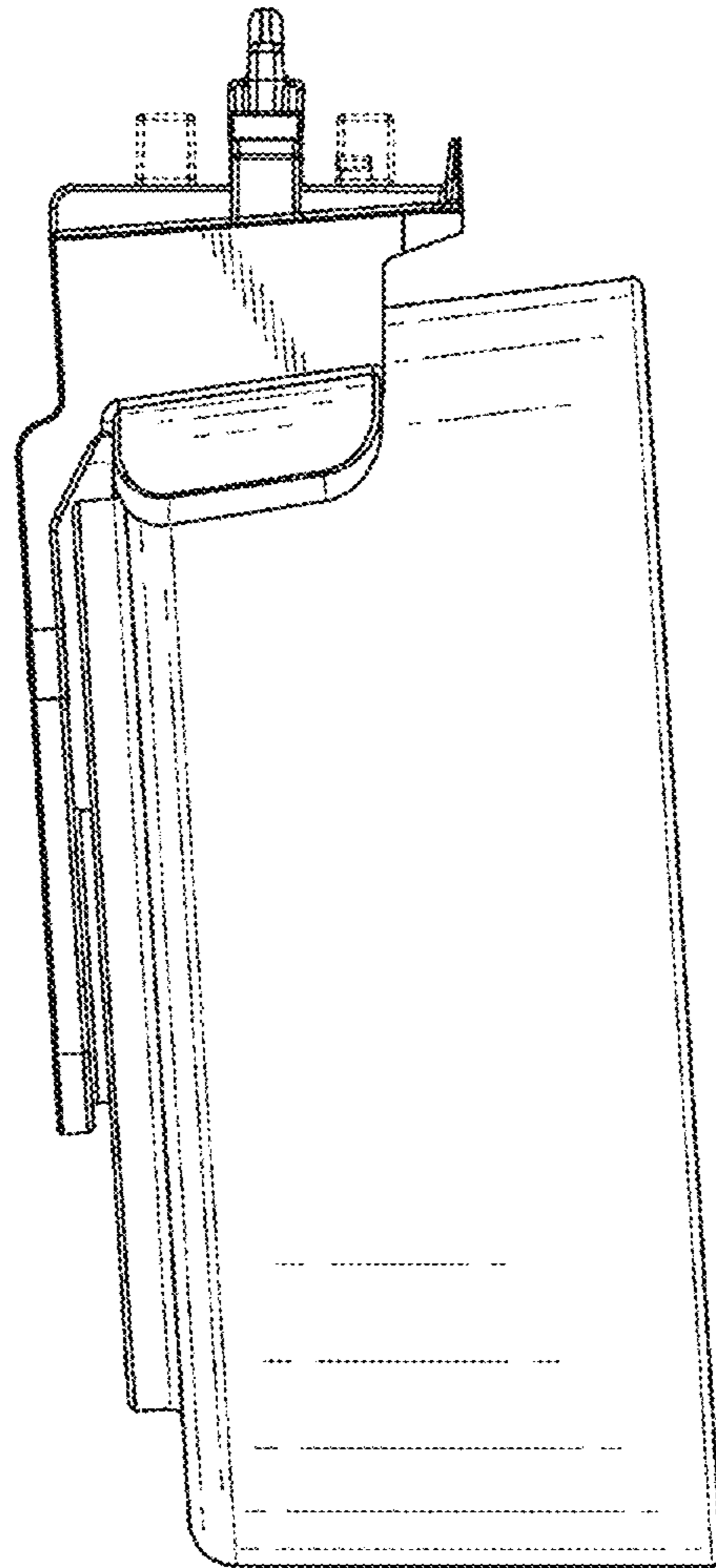


FIG. 4

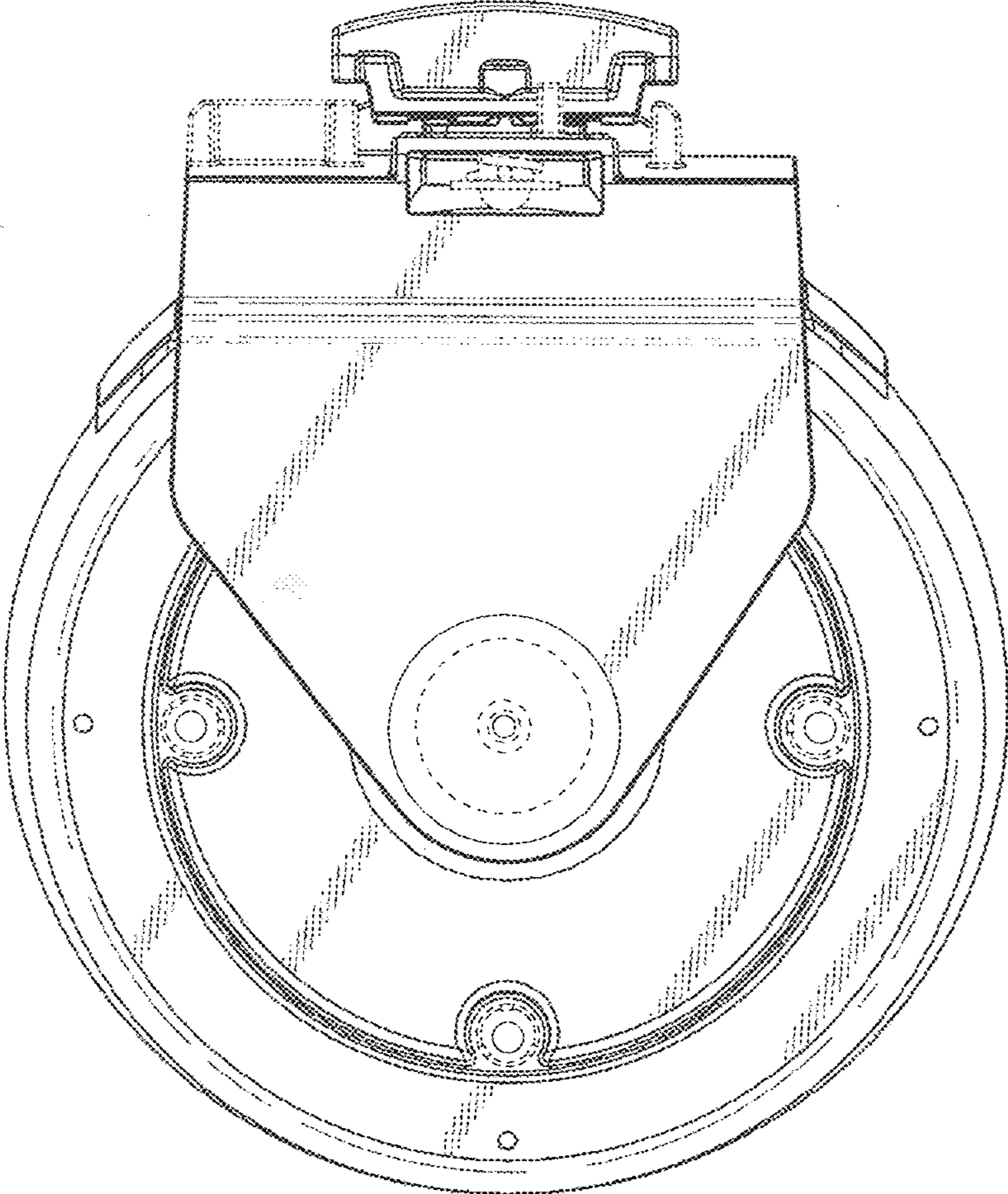


FIG. 5

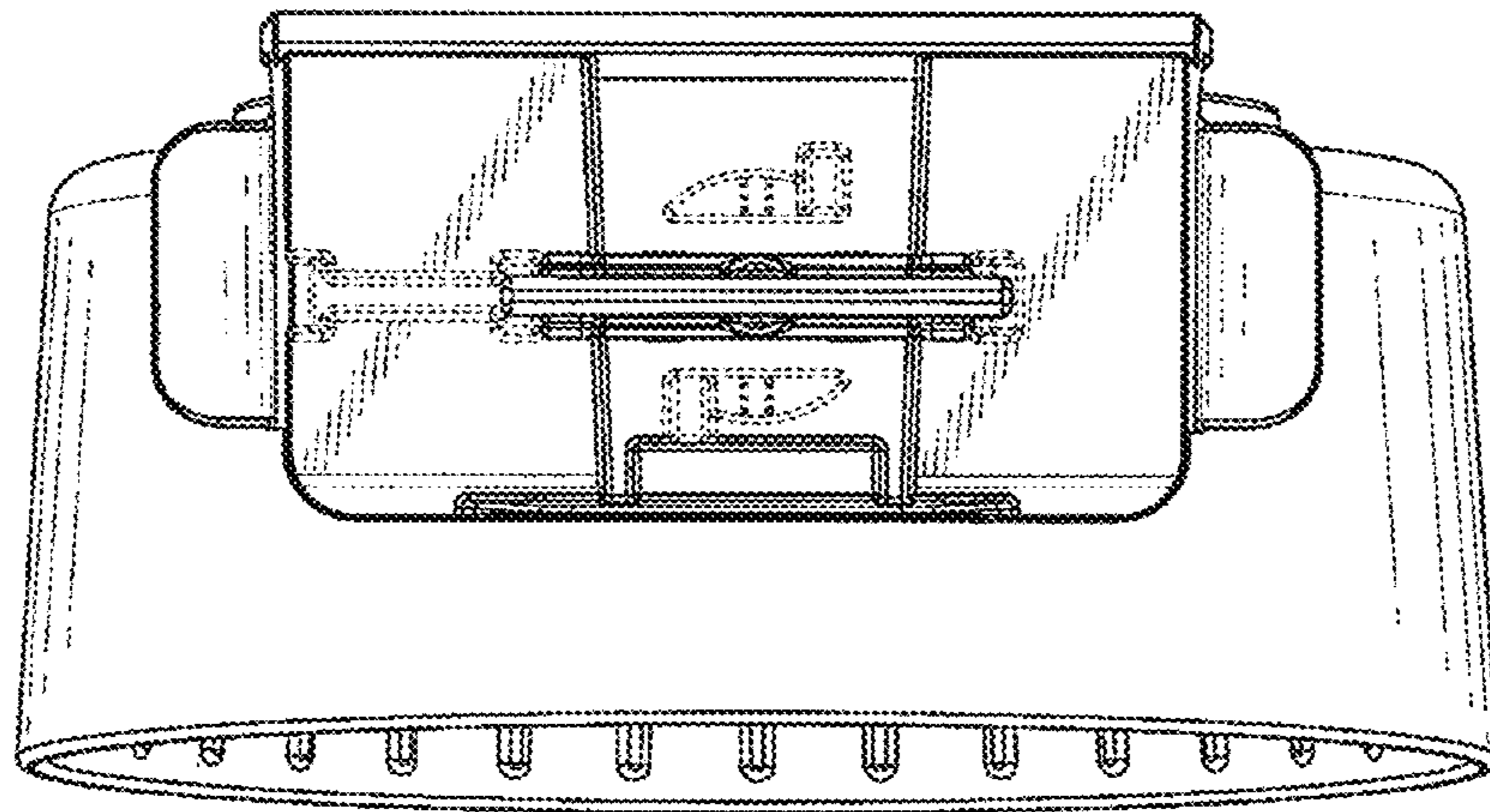


FIG. 6

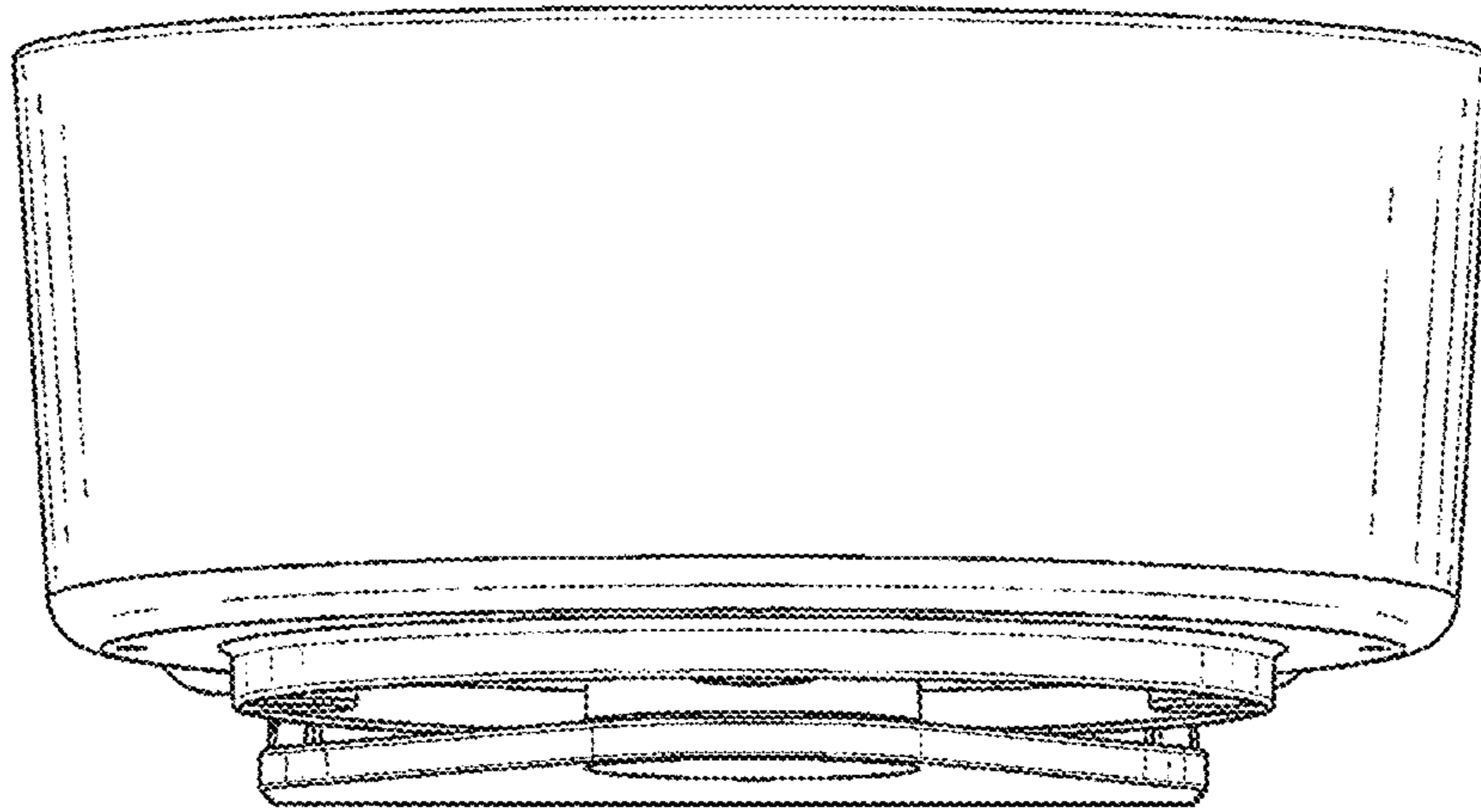


FIG. 7