



US00D884981S

(12) **United States Design Patent**  
**Lamote**

(10) **Patent No.:** **US D884,981 S**

(45) **Date of Patent:** **\*\* May 19, 2020**

(54) **CHICK BROODER**

(71) Applicant: **Jeffrey Joseph Lamote**, Cullman, AL  
(US)

(72) Inventor: **Jeffrey Joseph Lamote**, Cullman, AL  
(US)

(\*\*) Term: **15 Years**

(21) Appl. No.: **29/630,737**

(22) Filed: **Dec. 22, 2017**

(51) **LOC (12) Cl.** ..... **30-02**

(52) **U.S. Cl.**  
USPC ..... **D30/108**

(58) **Field of Classification Search**  
USPC ..... D30/108-120, 160; D6/339, 361, 382,  
D6/385-387, 595, 597, 618.1, 675, 691,  
D6/698  
CPC ..... A01K 1/00; A01K 1/0272; A01K 1/0353;  
A01K 1/035; A01K 1/0017; A01K  
1/0245; A01K 1/0035; A01K 1/0151;  
A47C 21/02  
See application file for complete search history.

1,563,107 A \* 11/1925 Plunkett ..... A01K 31/16  
119/495  
2,082,132 A \* 6/1937 Wright ..... A01K 31/22  
119/437  
D245,639 S \* 8/1977 Powell, Jr. .... D21/511  
D349,366 S \* 8/1994 Kuhn ..... D30/108  
D396,734 S \* 8/1998 Koneke ..... D30/108  
D703,390 S \* 4/2014 Scott ..... D30/108  
D719,704 S \* 12/2014 Lee ..... D30/108  
D767,215 S \* 9/2016 Lalonde ..... D30/112  
D793,628 S \* 8/2017 Fisher ..... D30/108  
D804,737 S \* 12/2017 Fisher ..... D30/108

\* cited by examiner

*Primary Examiner* — Sheryl Lane  
*Assistant Examiner* — Aula Soroush  
(74) *Attorney, Agent, or Firm* — Dunlap Bennett &  
Ludwig PLLC

(57) **CLAIM**

The ornamental design for a chick brooder, as shown and described.

**DESCRIPTION**

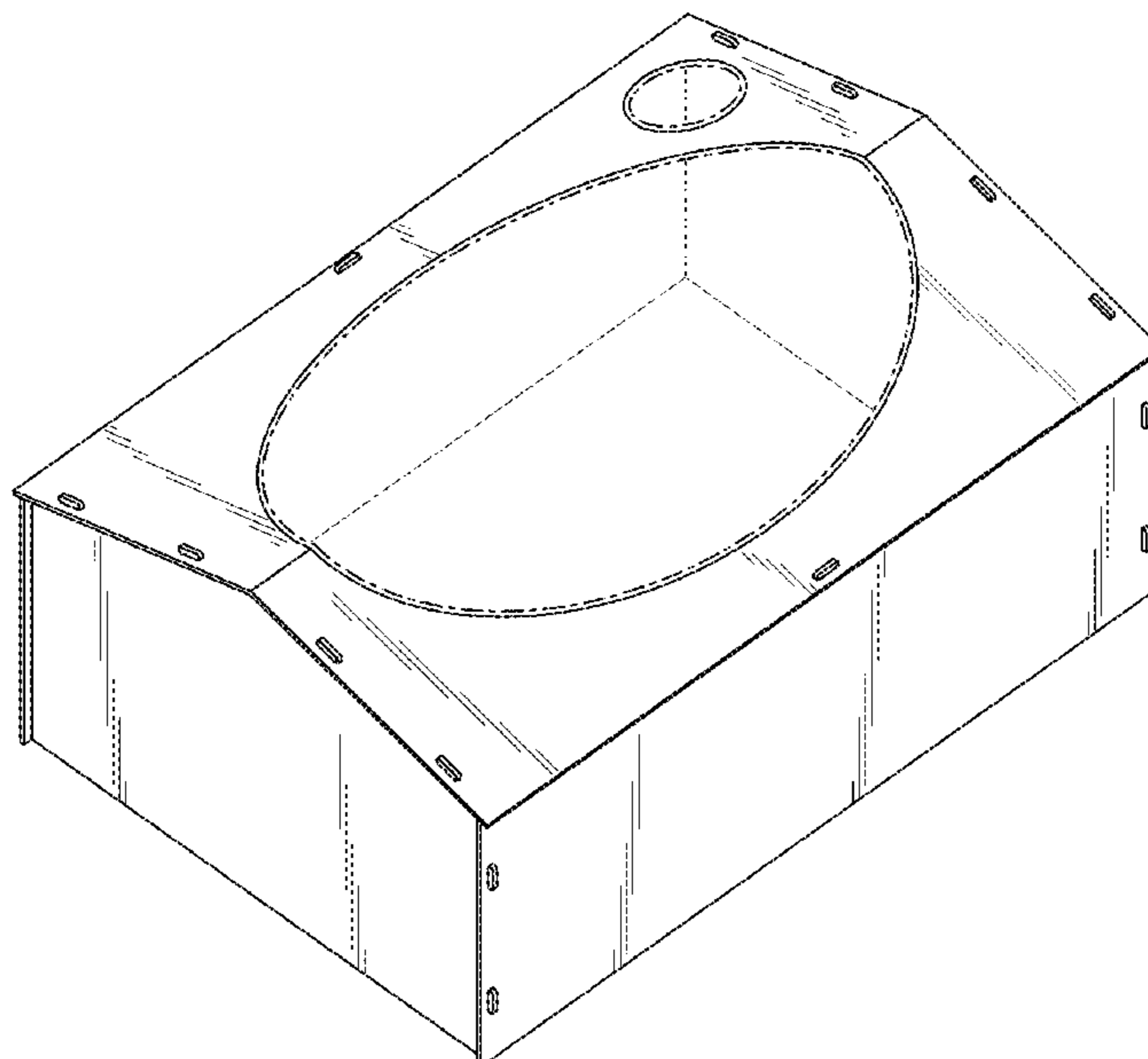
FIG. 1 is a front perspective view of a chick brooder;  
FIG. 2 is a front elevation view thereof, the rear elevation view being a mirror image of FIG. 2;  
FIG. 3 is a left side elevation view thereof;  
FIG. 4 is a right side elevation view thereof;  
FIG. 5 is a top plan view thereof; and,  
FIG. 6 is a bottom plan view thereof.  
The broken lines consisting of evenly spaced lines in the drawings depict portions of the chicken brooder that form no part of the claimed design, while the broken lines consisting of dash-dot-dash lines in the drawings depict the boundary of the claimed invention and it is understood that the claim extends to the boundary that forms no part of the claimed design.

**1 Claim, 4 Drawing Sheets**

(56) **References Cited**

U.S. PATENT DOCUMENTS

807,196 A \* 12/1905 O'Brien ..... A01K 31/18  
119/487  
1,028,933 A \* 6/1912 Compton ..... B65D 9/12  
217/12 R  
1,050,855 A \* 1/1913 Schnebly et al. .... A01K 31/18  
119/491  
1,320,204 A \* 10/1919 Clare ..... A01K 31/22  
119/437  
1,436,109 A \* 11/1922 Pickering ..... A01K 31/002  
119/491  
1,455,105 A \* 5/1923 Butcher ..... A01K 31/002  
119/491



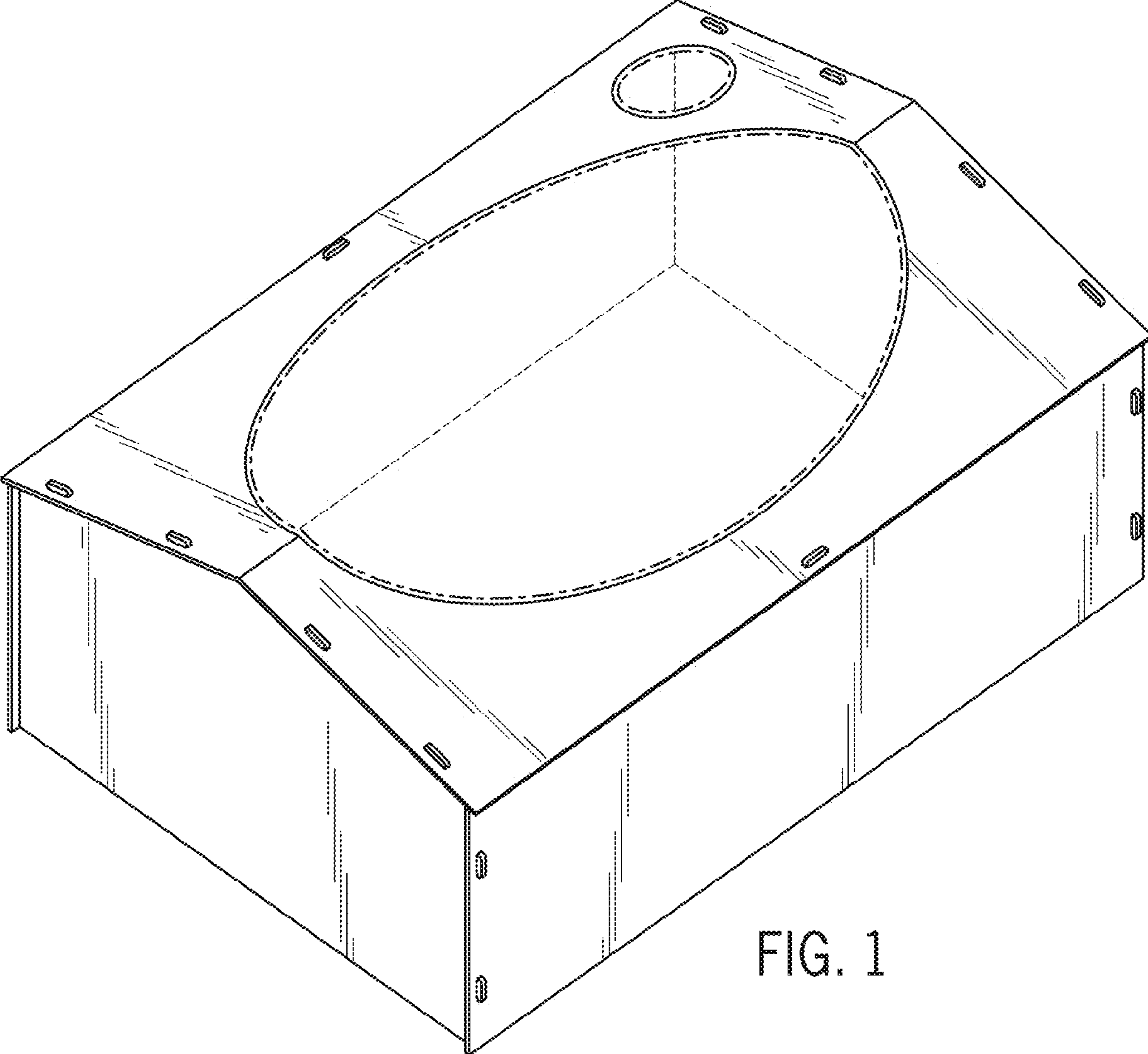


FIG. 1

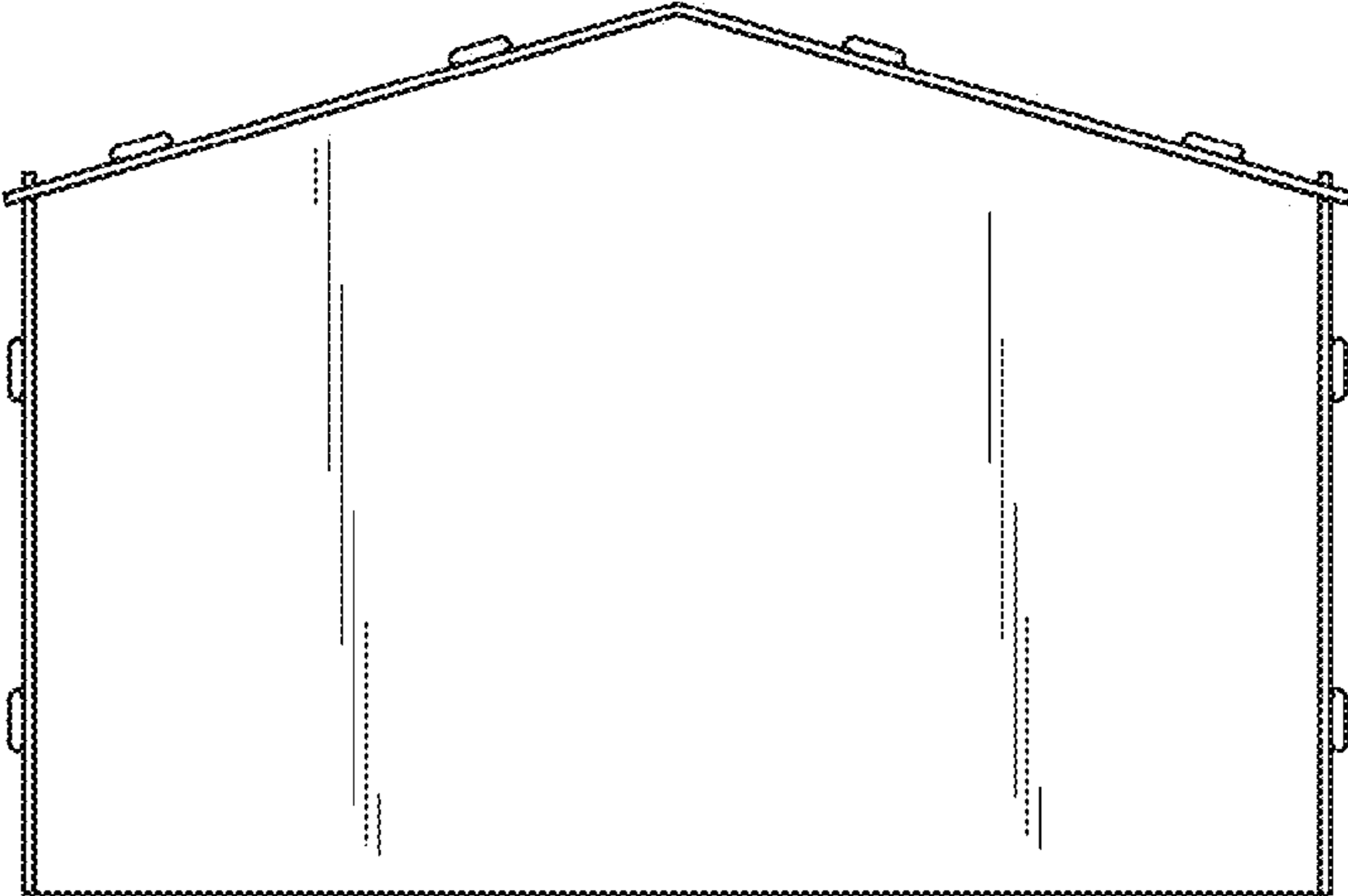


FIG. 2

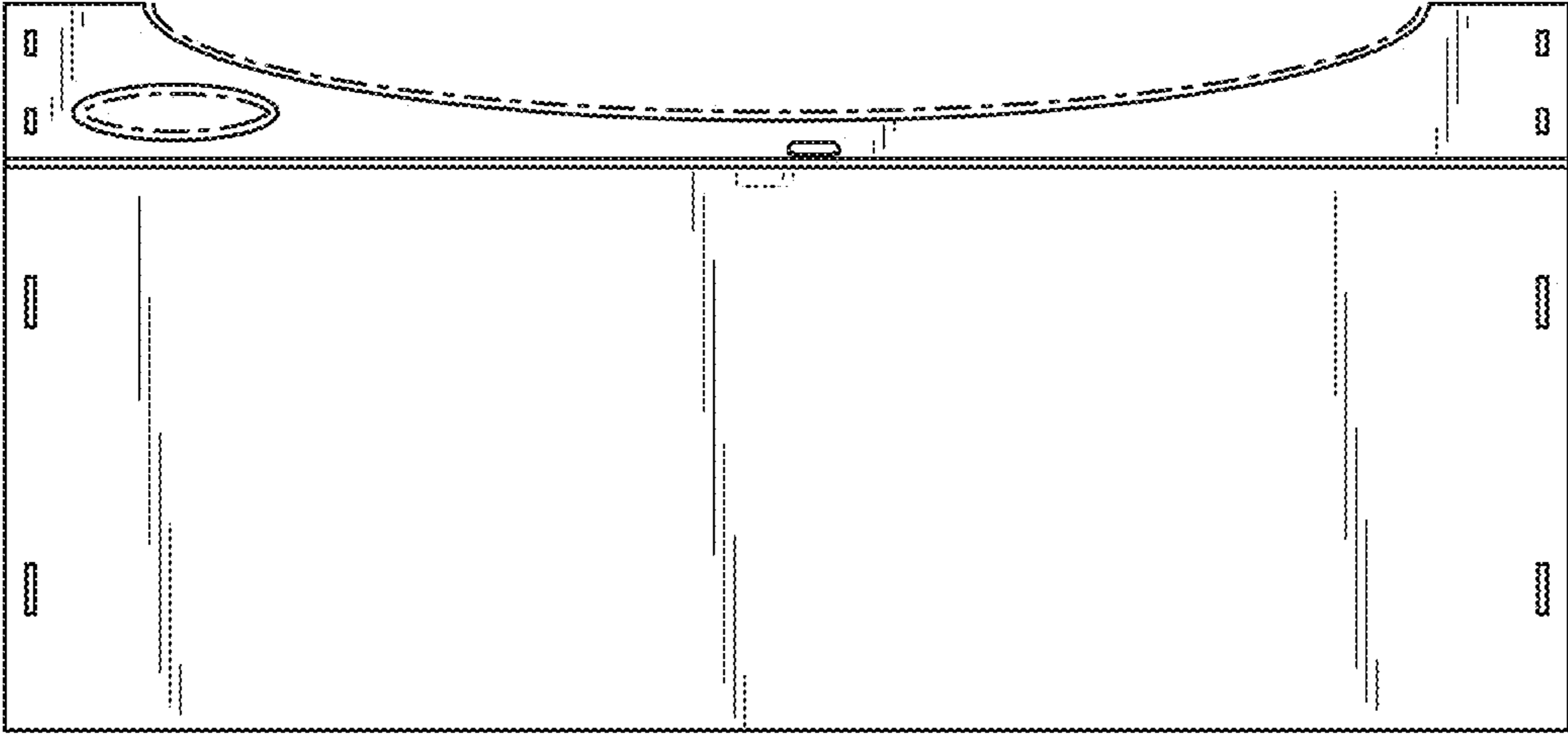


FIG. 3

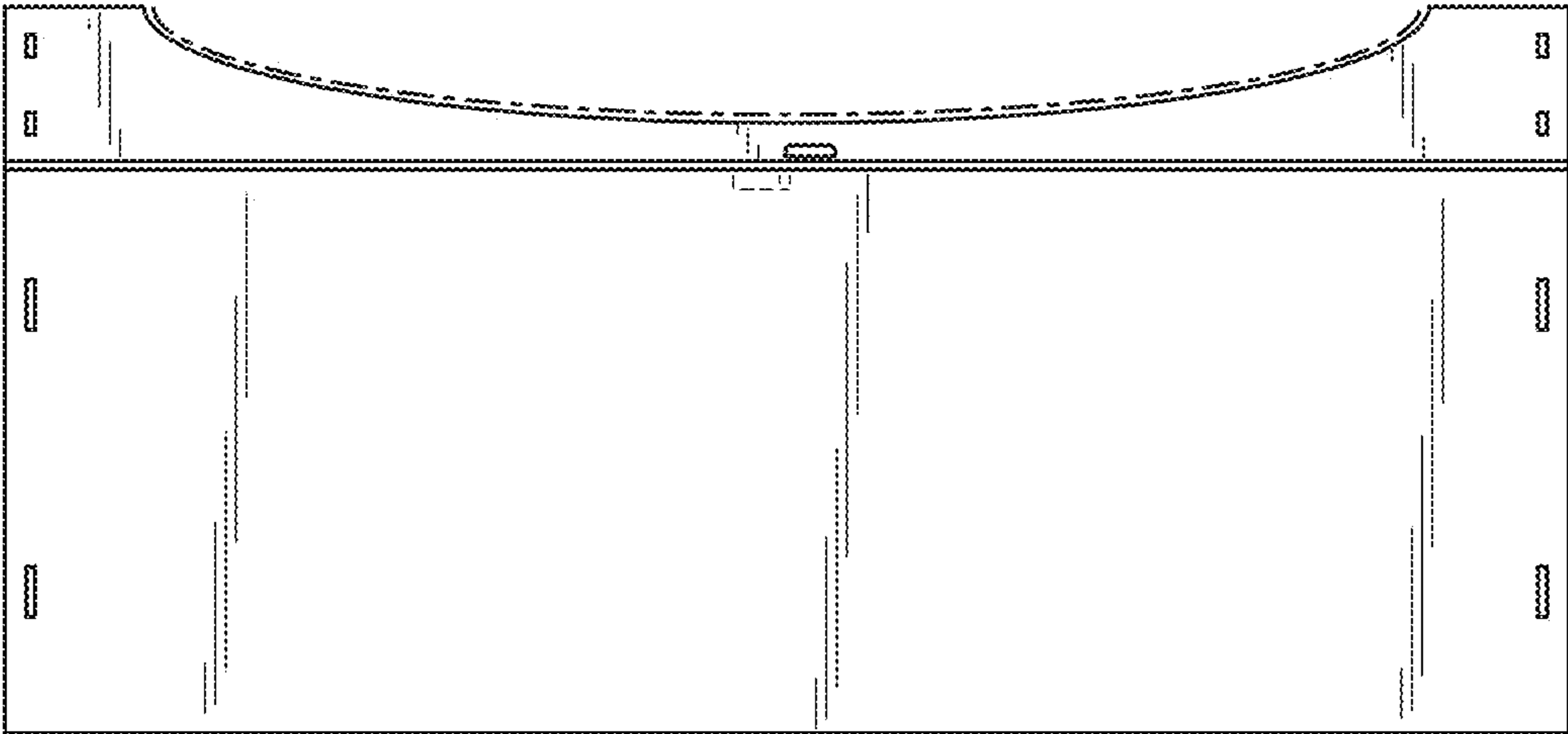


FIG. 4

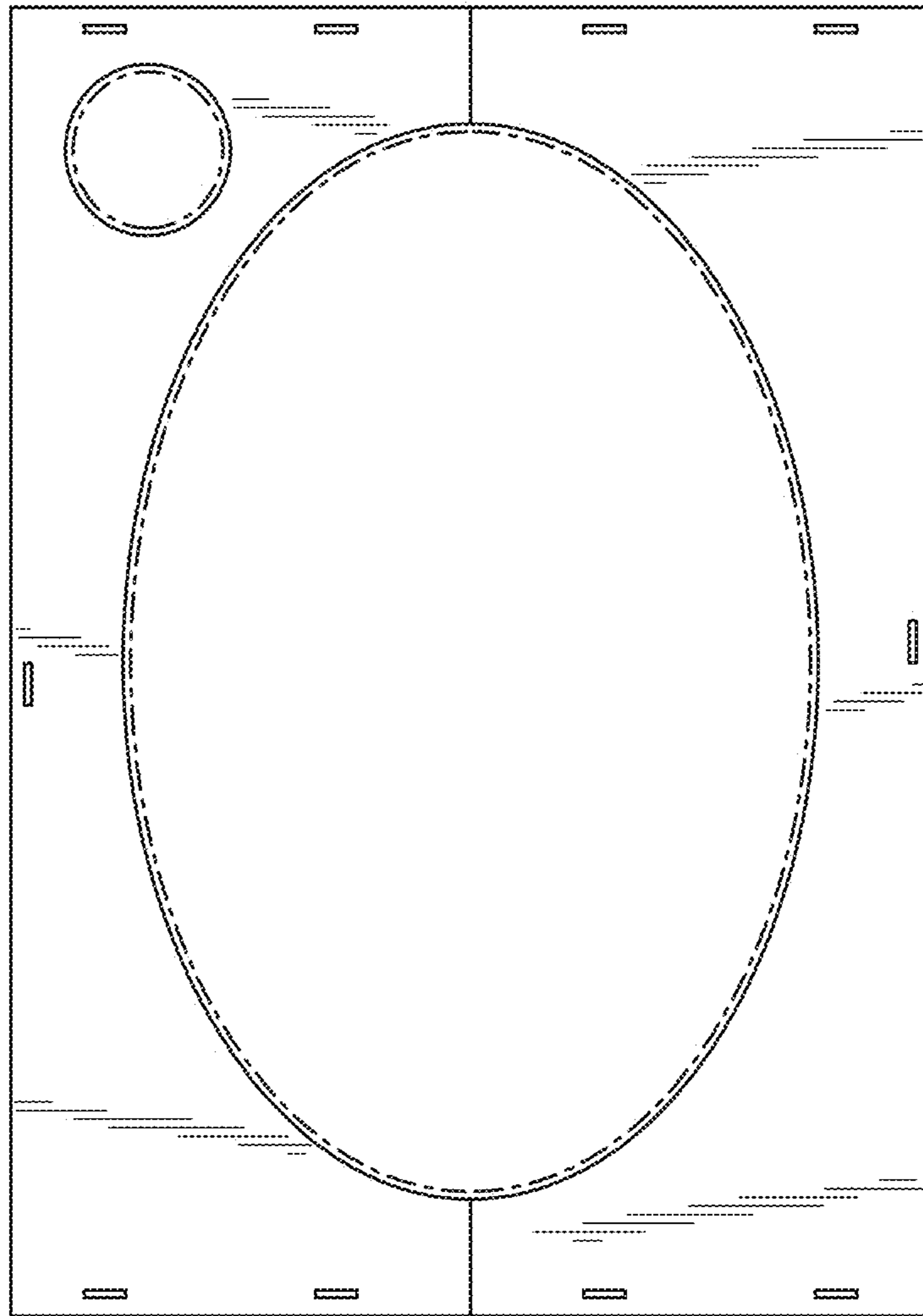


FIG. 5

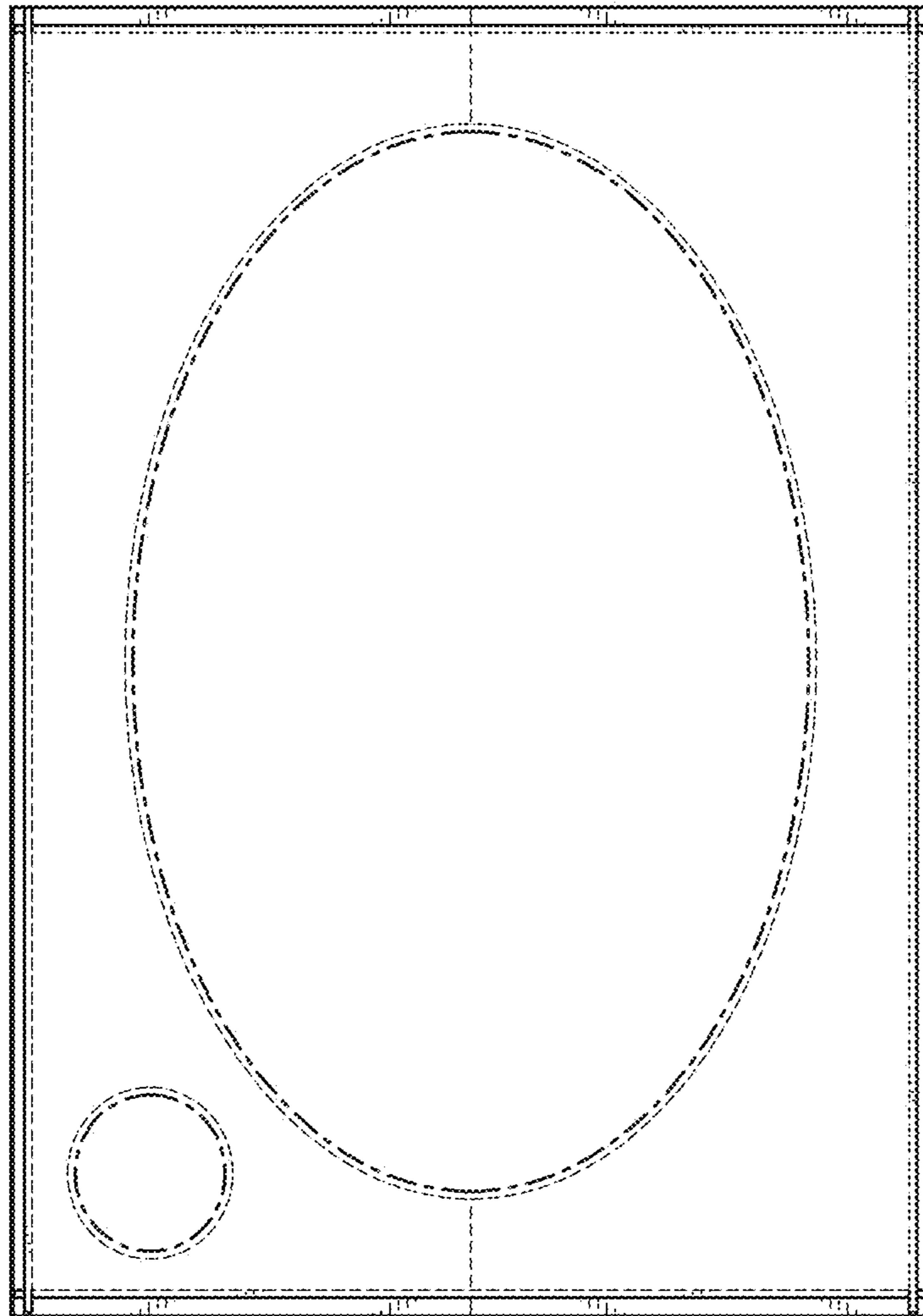


FIG. 6