



US00D884979S

(12) **United States Design Patent** (10) **Patent No.:** **US D884,979 S**
Adenaïke (45) **Date of Patent:** **** May 19, 2020**

(54) **LIPSTICK CASE**
(71) Applicant: **Kehinde Patience Adenaïke**, Atlanta, GA (US)
(72) Inventor: **Kehinde Patience Adenaïke**, Atlanta, GA (US)
(**) Term: **15 Years**
(21) Appl. No.: **29/716,969**
(22) Filed: **Dec. 13, 2019**
(51) **LOC (12) Cl.** **28-03**
(52) **U.S. Cl.**
USPC **D28/90; D9/504**
(58) **Field of Classification Search**
USPC D28/85-90; D9/651, 567, 566, 503-504
CPC A45D 2040/0012; A45D 2040/0018; A45D 2040/0025; A45D 2040/0031; A45D 2040/0037; A45D 2040/0043; A45D 2040/005; A45D 2040/0056; A45D 2040/0062
See application file for complete search history.

(56) **References Cited**

U.S. PATENT DOCUMENTS

D95,813 S *	6/1935	Ganz	D28/90
D112,400 S *	11/1938	Penn	D28/89
D180,112 S *	4/1957	Slater	D28/89
D261,940 S	11/1981	Holloway		
D279,827 S	7/1985	Buchet		
D279,828 S	7/1985	Buchet		
D298,363 S	11/1988	Freeman		
D298,472 S	11/1988	Simonetti		
D301,772 S	6/1989	McCready		
D303,164 S	8/1989	McCready		
D303,165 S	8/1989	McCready		
D303,301 S *	9/1989	McCready	D28/85
D303,302 S	9/1989	McCready		
D307,953 S	5/1990	McCready		

D310,737 S	9/1990	Bakic		
D315,969 S	4/1991	McCready		
D333,365 S	2/1993	Desgrippes		
D335,086 S *	4/1993	Wacker	D9/504
D425,256 S	5/2000	Gavin		
D448,121 S	9/2001	Gebb et al.		
D468,060 S	12/2002	Orsomando		
D479,133 S	9/2003	Quintero		
D539,984 S	4/2007	Egawa		
D564,706 S	3/2008	Kadlubowski et al.		
D567,448 S	4/2008	Mascotte et al.		
D633,653 S	3/2011	Lee		
D666,733 S	9/2012	Caggiano et al.		
D726,967 S *	4/2015	Komai	D28/87
D738,220 S *	9/2015	Rohit	D9/553
D739,084 S	9/2015	Hall		
D779,960 S *	2/2017	Dotson	D9/503
D799,754 S	10/2017	Chertoff et al.		
D814,706 S *	4/2018	Jeong	D28/90
D838,048 S *	1/2019	Jeong	D28/76
D876,016 S *	2/2020	Hosseini	D28/76

* cited by examiner

Primary Examiner — Jennifer Rivard
(74) *Attorney, Agent, or Firm* — Dunlap Bennett & Ludwig PLLC

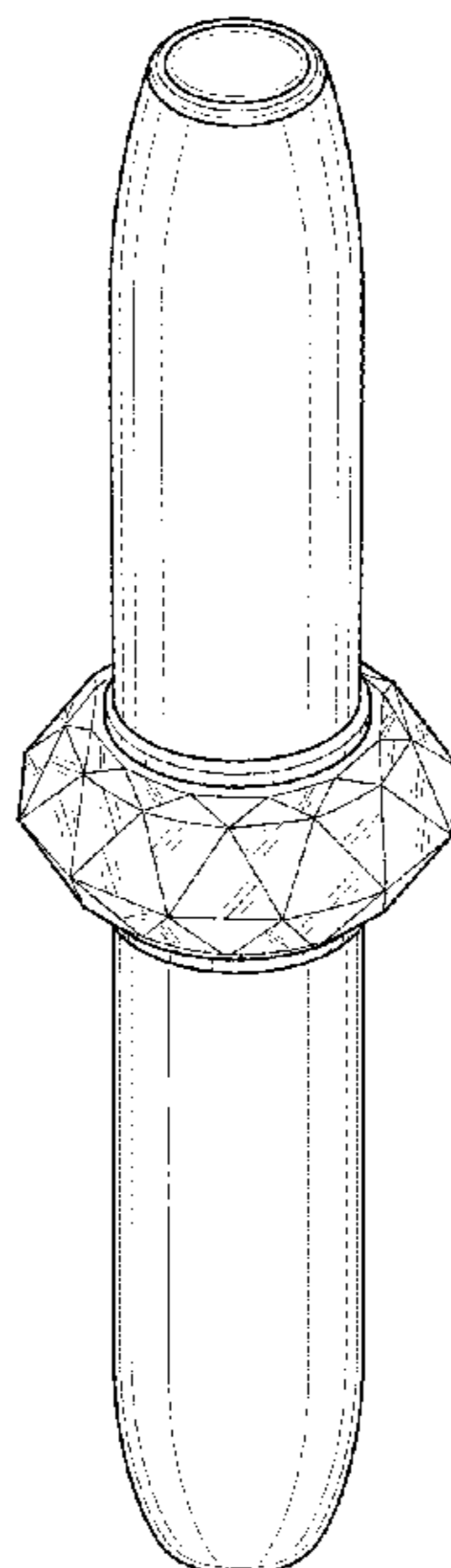
(57) **CLAIM**

The ornamental design for a lipstick case, as shown and described.

DESCRIPTION

FIG. 1 is a top perspective view of a lipstick case, showing my new design;
FIG. 2 is a bottom perspective view thereof;
FIG. 3 is a front elevation view thereof;
FIG. 4 is a rear elevation view thereof;
FIG. 5 is a left-side elevation view thereof;
FIG. 6 is a right-side elevation view thereof;
FIG. 7 is a top plan view thereof; and,
FIG. 8 is a bottom plan view thereof.

1 Claim, 4 Drawing Sheets



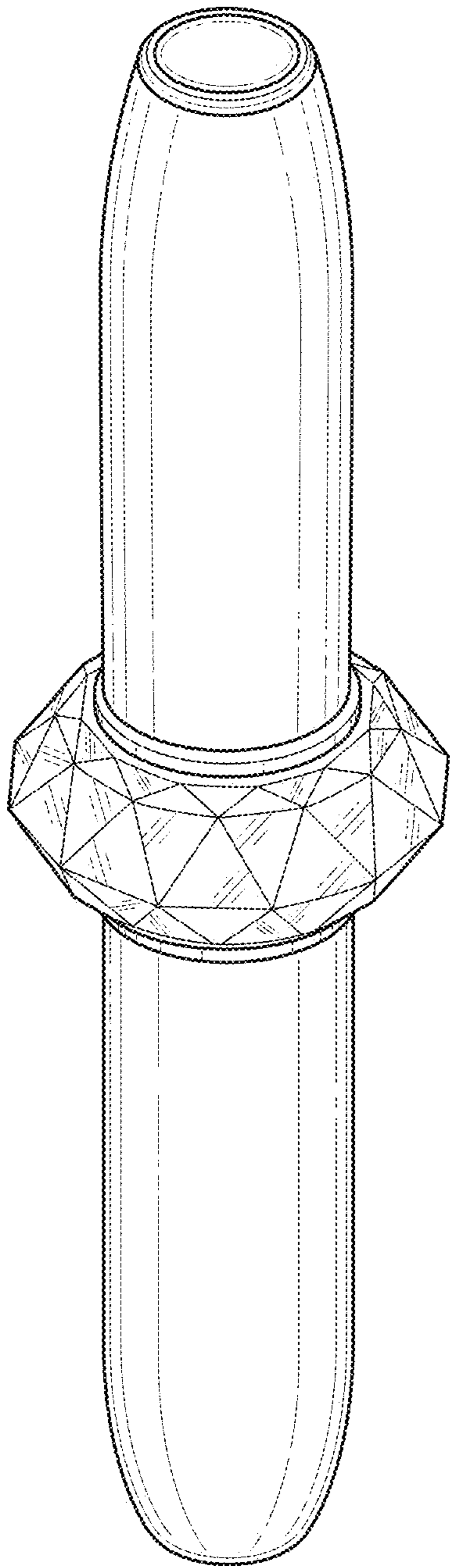


FIG. 1

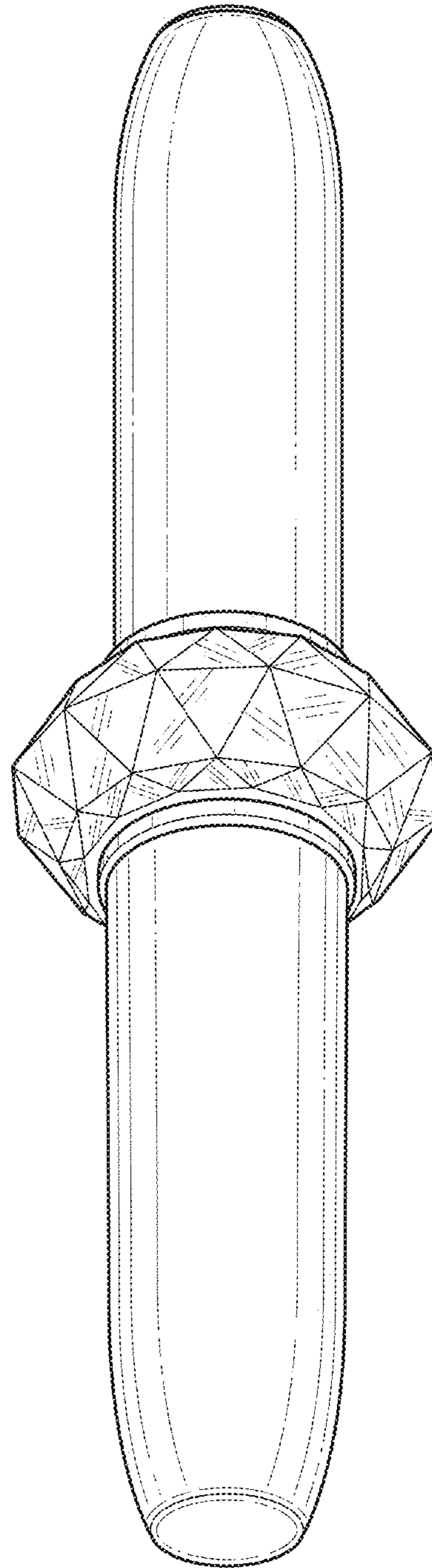


FIG. 2

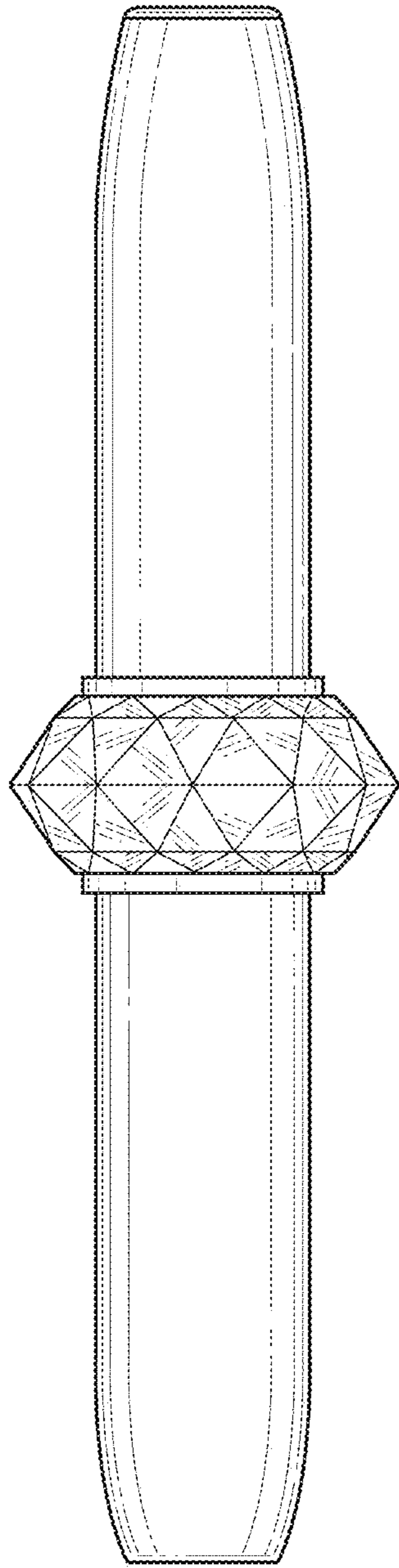


FIG. 3

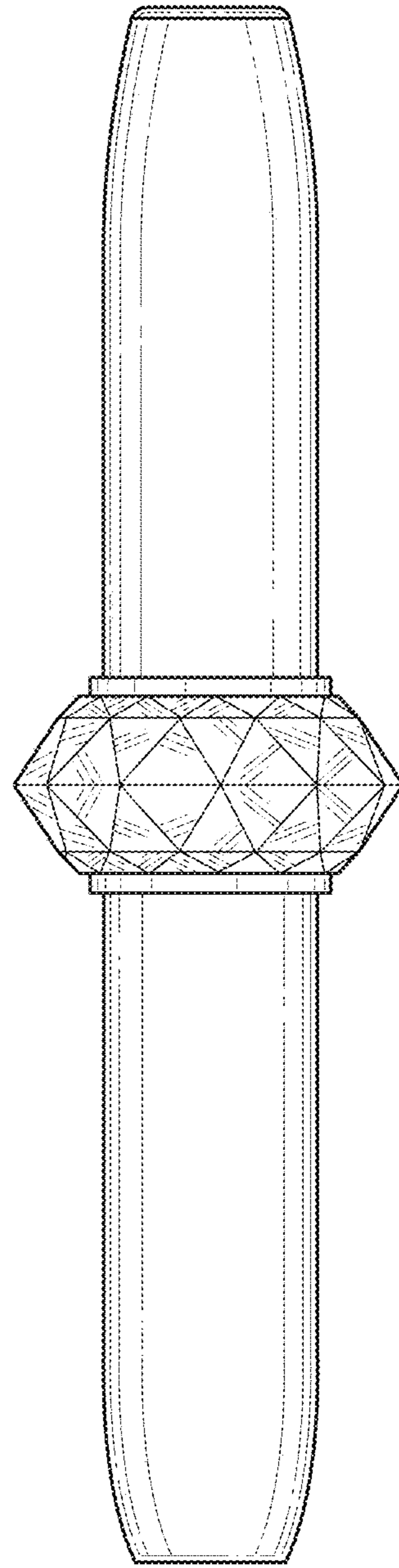


FIG. 4

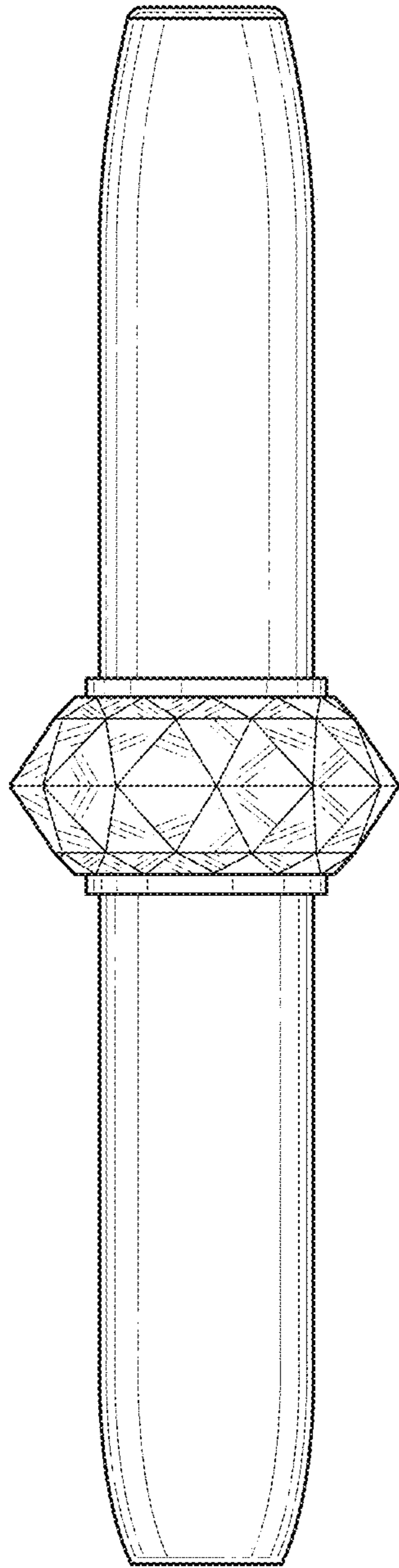


FIG. 5

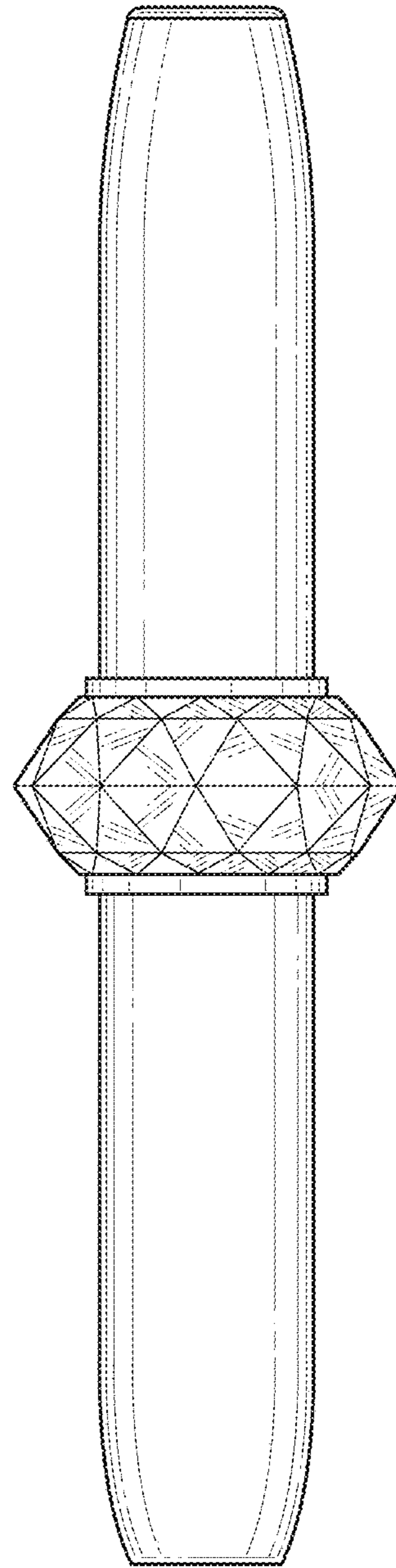


FIG. 6

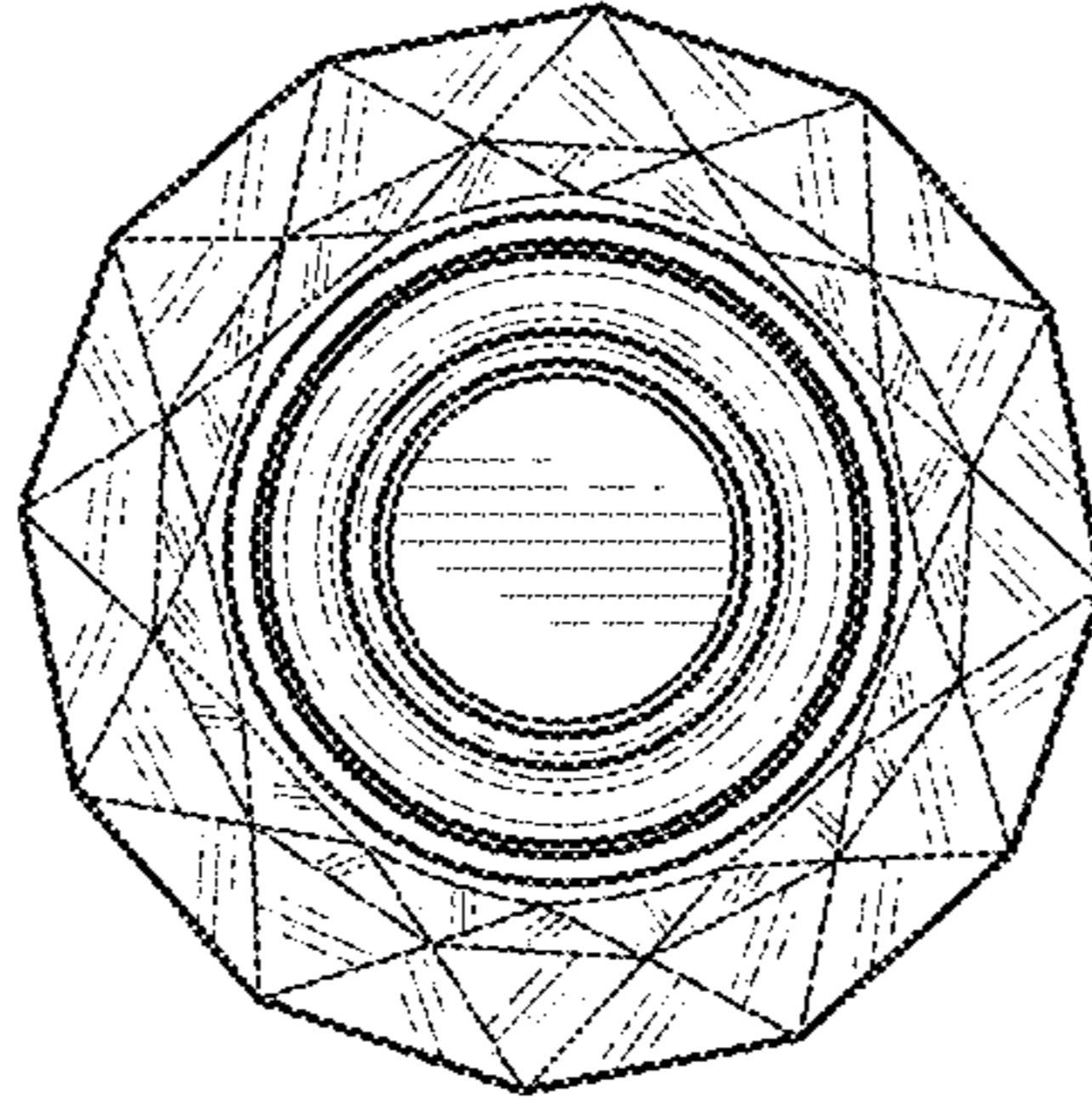


FIG. 7

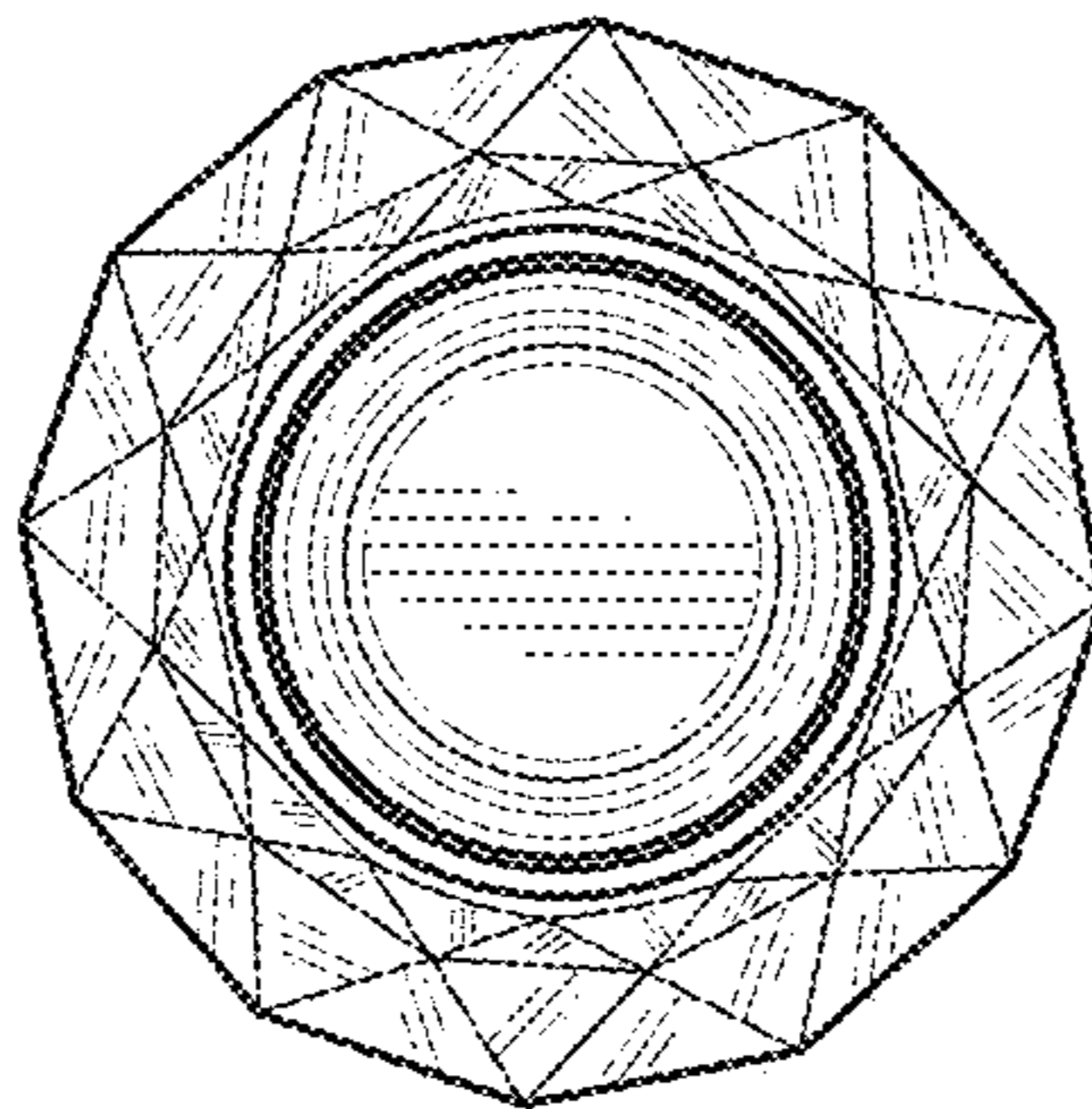


FIG. 8