



US00D884975S

(12) **United States Design Patent**
Kim et al.

(10) **Patent No.:** **US D884,975 S**
(45) **Date of Patent:** **** May 19, 2020**

(54) **COMPACT FOR COSMETICS**
(71) Applicant: **YONWOO CO., LTD.**, Incheon (KR)
(72) Inventors: **Yu Seob Kim**, Incheon (KR); **Seo Hui Jung**, Incheon (KR)
(73) Assignee: **YONWOO CO., LTD.**, Incheon (KR)
(**) Term: **15 Years**

D655,045 S * 2/2012 Paschoal D28/83
D730,581 S * 5/2015 Hwang D28/83
D835,350 S * 12/2018 Weinrich D28/83
D866,079 S * 11/2019 Wanders D28/83
2015/0075555 A1* 3/2015 Wheaton A45D 33/008
132/294
2017/0020263 A1* 1/2017 Chang A45D 33/003
2019/0200724 A1* 7/2019 Lee A45D 33/008
2019/0281949 A1* 9/2019 Eng B65D 53/02
2019/0374004 A1* 12/2019 Martins A45D 33/003
2020/0054112 A1* 2/2020 Lee A45D 33/006

(21) Appl. No.: **29/678,423**
(22) Filed: **Jan. 29, 2019**
(30) **Foreign Application Priority Data**

* cited by examiner

Primary Examiner — Jennifer Rivard
(74) *Attorney, Agent, or Firm* — Novick, Kim & Lee, PLLC; Sang Ho Lee; Hyun Woo Shin

Jul. 30, 2018 (KR) 30-2018-0035214
(51) **LOC (12) Cl.** **28-03**
(52) **U.S. Cl.**
USPC **D28/83**
(58) **Field of Classification Search**
USPC D28/73, 76–84, 93
CPC B65D 25/54; A45D 42/00; A45D 42/04;
A45D 44/20; A45D 44/00; A45D 33/18;
A45D 33/00; A45D 33/20; A45D 33/22;
A45D 33/26; A45D 33/28; A45D 33/003;
A45D 33/005; A45D 33/006; A45D
33/34; A41G 5/02
See application file for complete search history.

(57) **CLAIM**

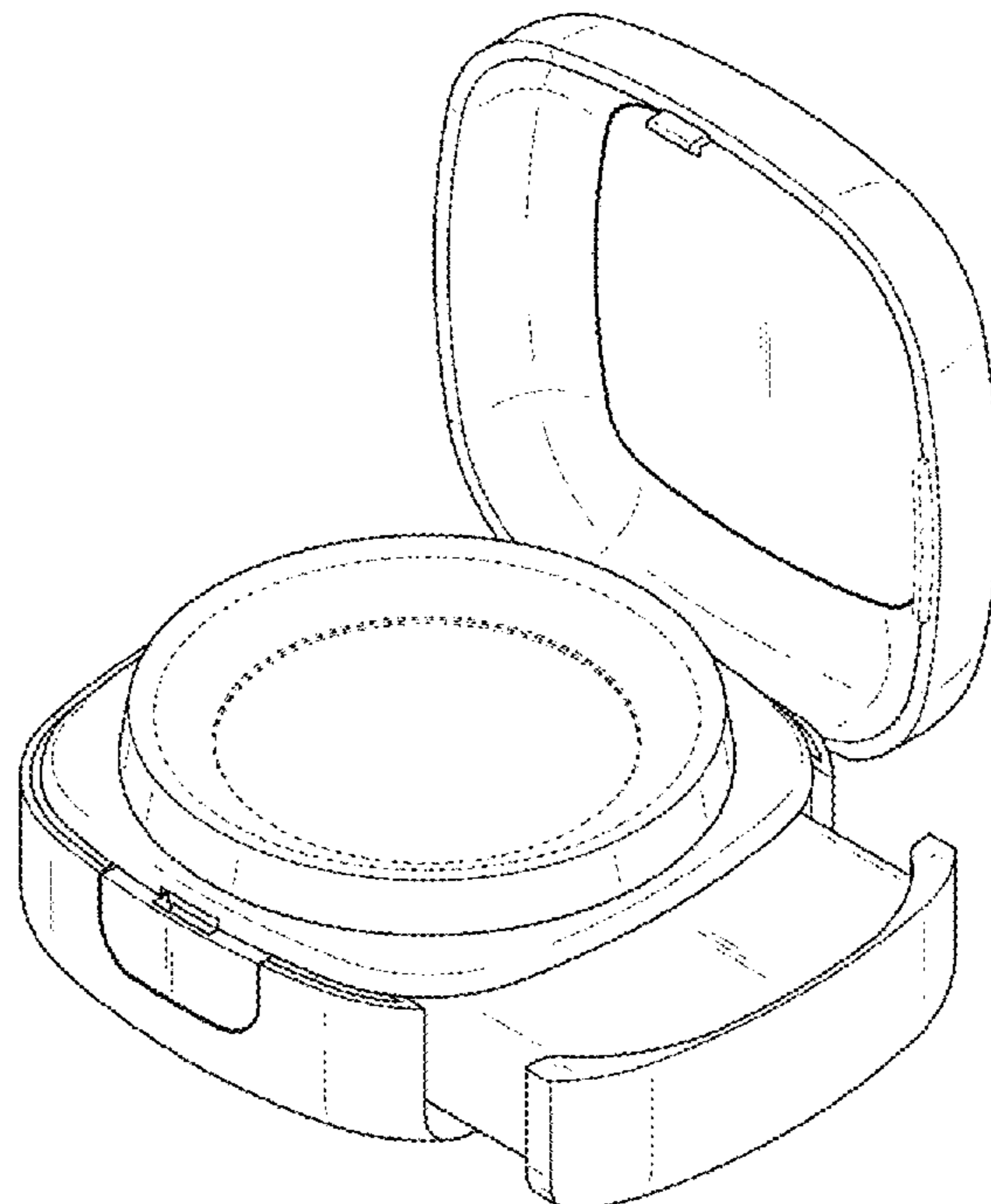
We claim the ornamental design for a compact for cosmetics, as shown and described.

DESCRIPTION

FIG. 1 is a perspective view of a compact for cosmetics, showing our new design;
FIG. 2 is a front elevational view thereof;
FIG. 3 is a rear elevational view thereof;
FIG. 4 is a left side elevational view thereof;
FIG. 5 is a right side elevational view thereof;
FIG. 6 is a top plan view thereof;
FIG. 7 is a bottom plan view thereof; and,
FIG. 8 is a reference view thereof showing a configuration of use.
The broken lines in the drawings show portions of the compact for cosmetics which form no part of the claimed design.

(56) **References Cited**
U.S. PATENT DOCUMENTS
6,889,696 B2 * 5/2005 Thorpe A45D 33/008
132/287
6,978,790 B2 * 12/2005 Byun A45D 33/006
132/287

1 Claim, 5 Drawing Sheets



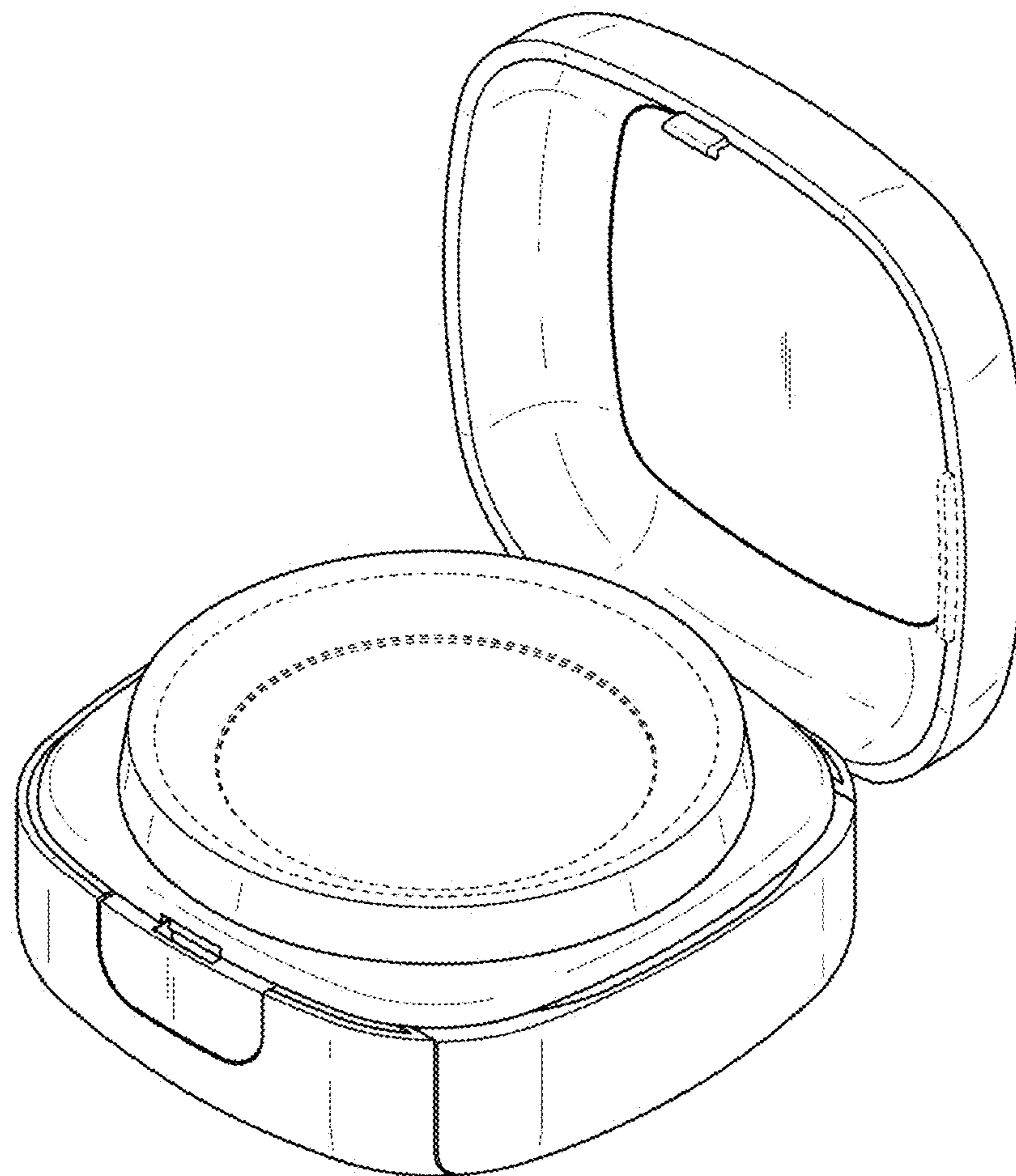


FIG. 1

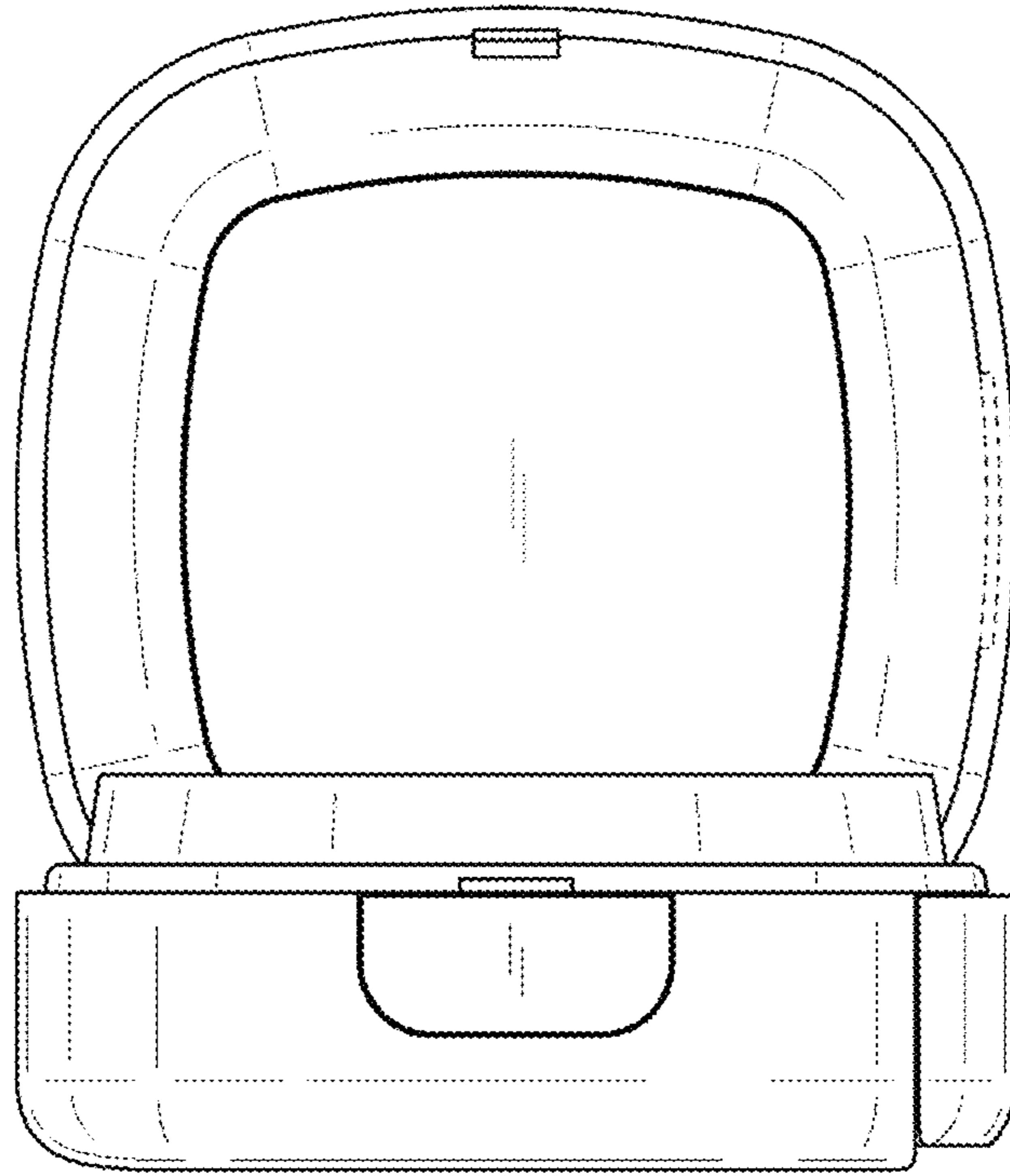


FIG. 2

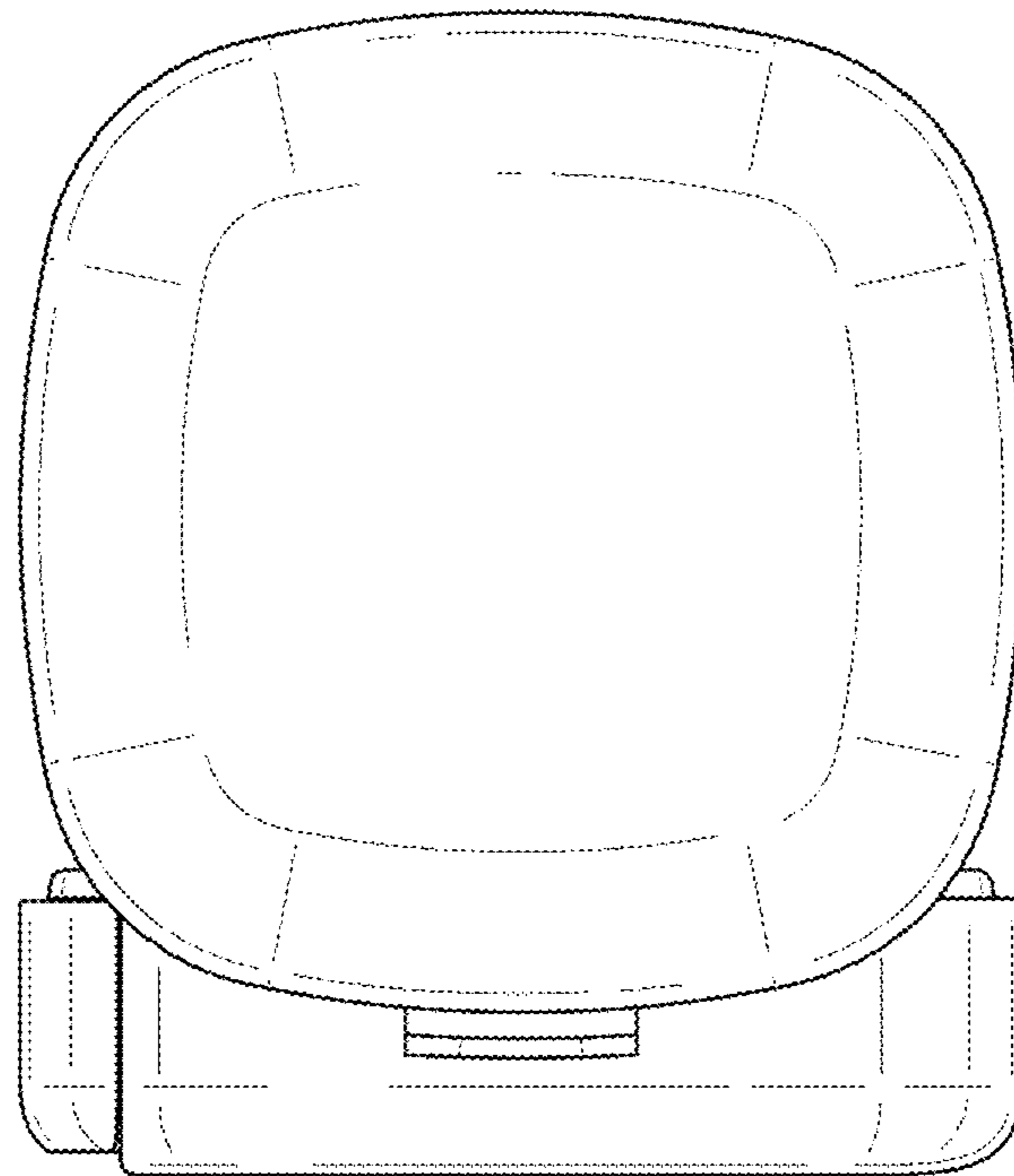


FIG. 3

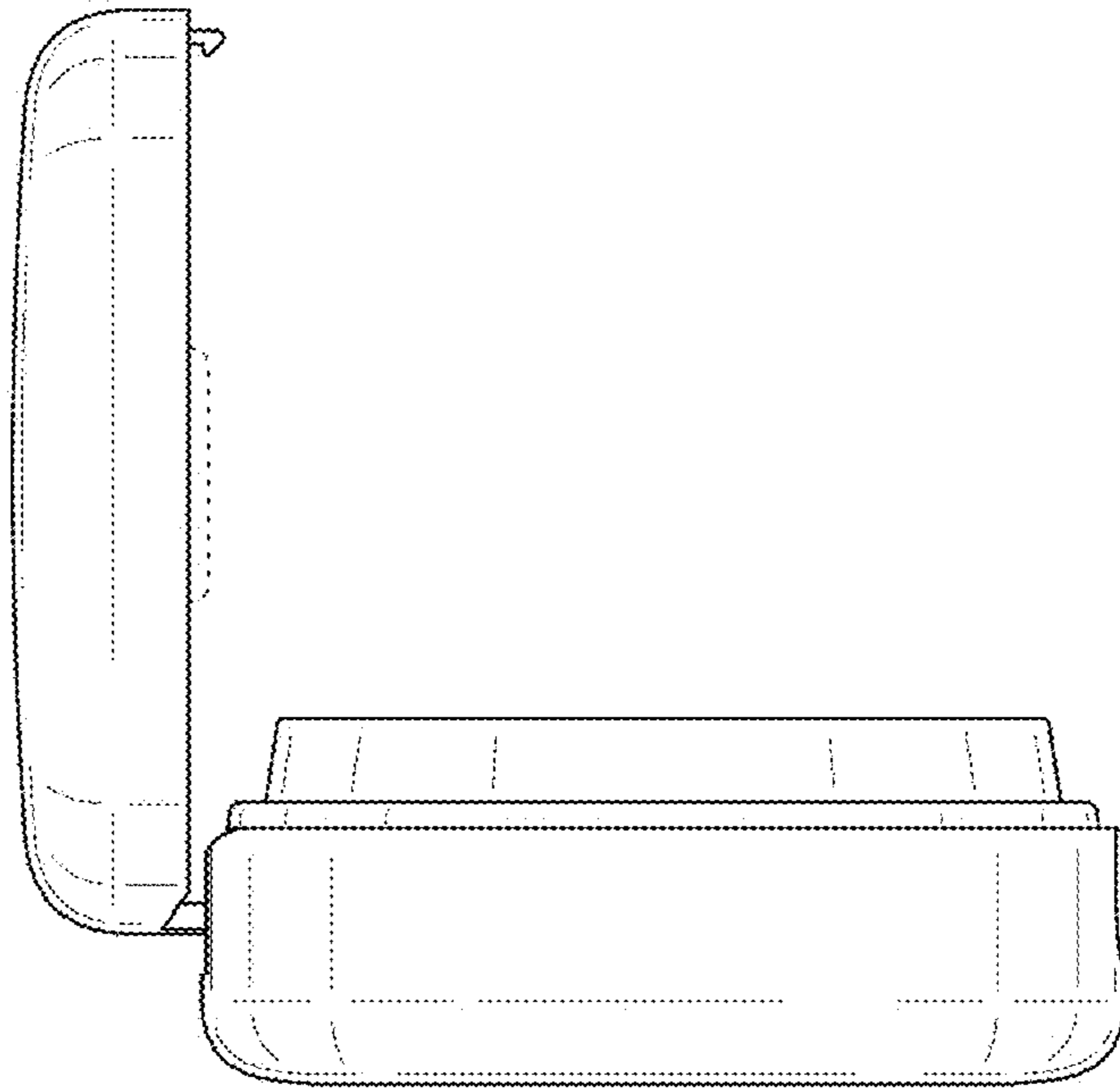


FIG. 4

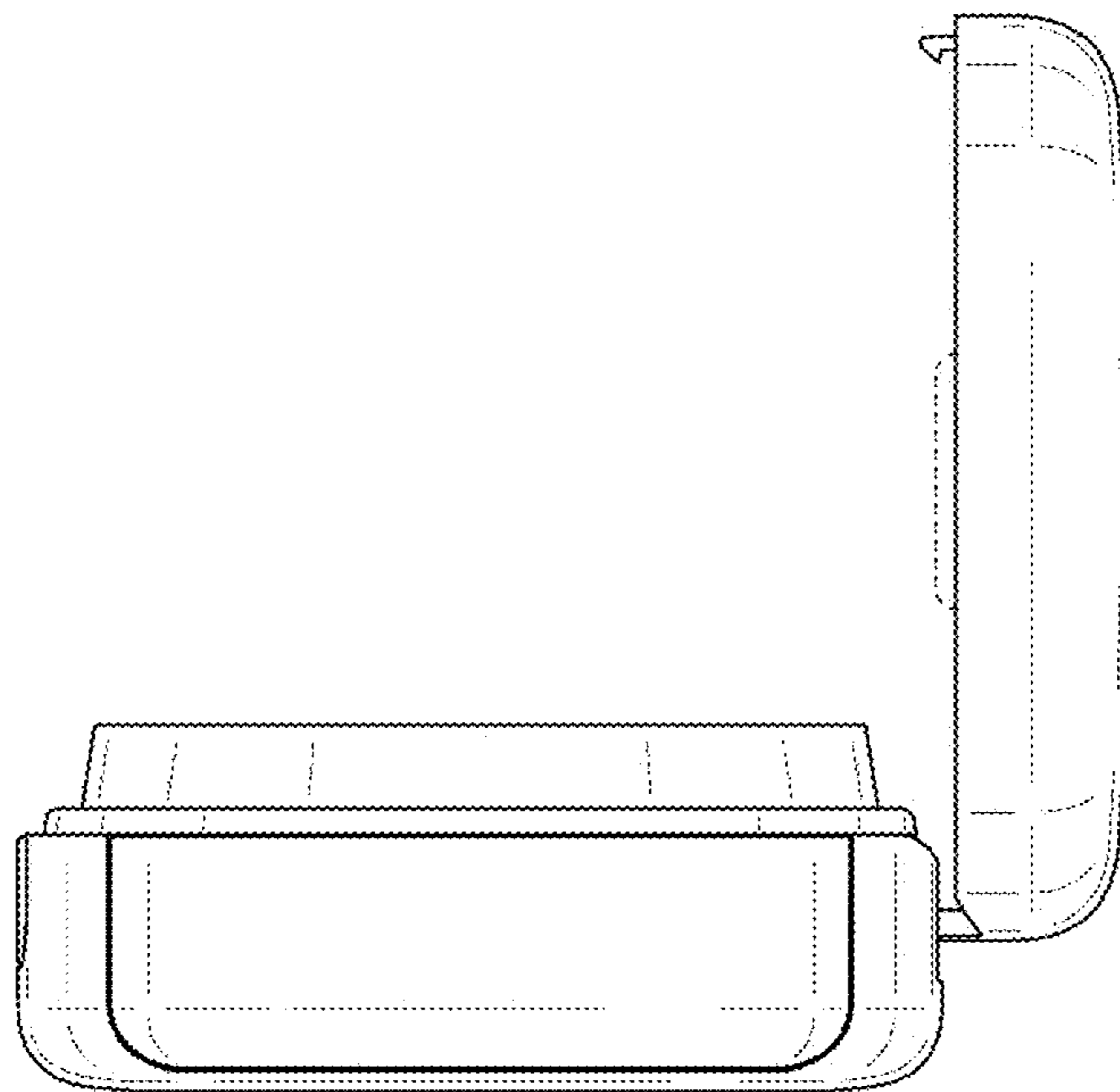


FIG. 5

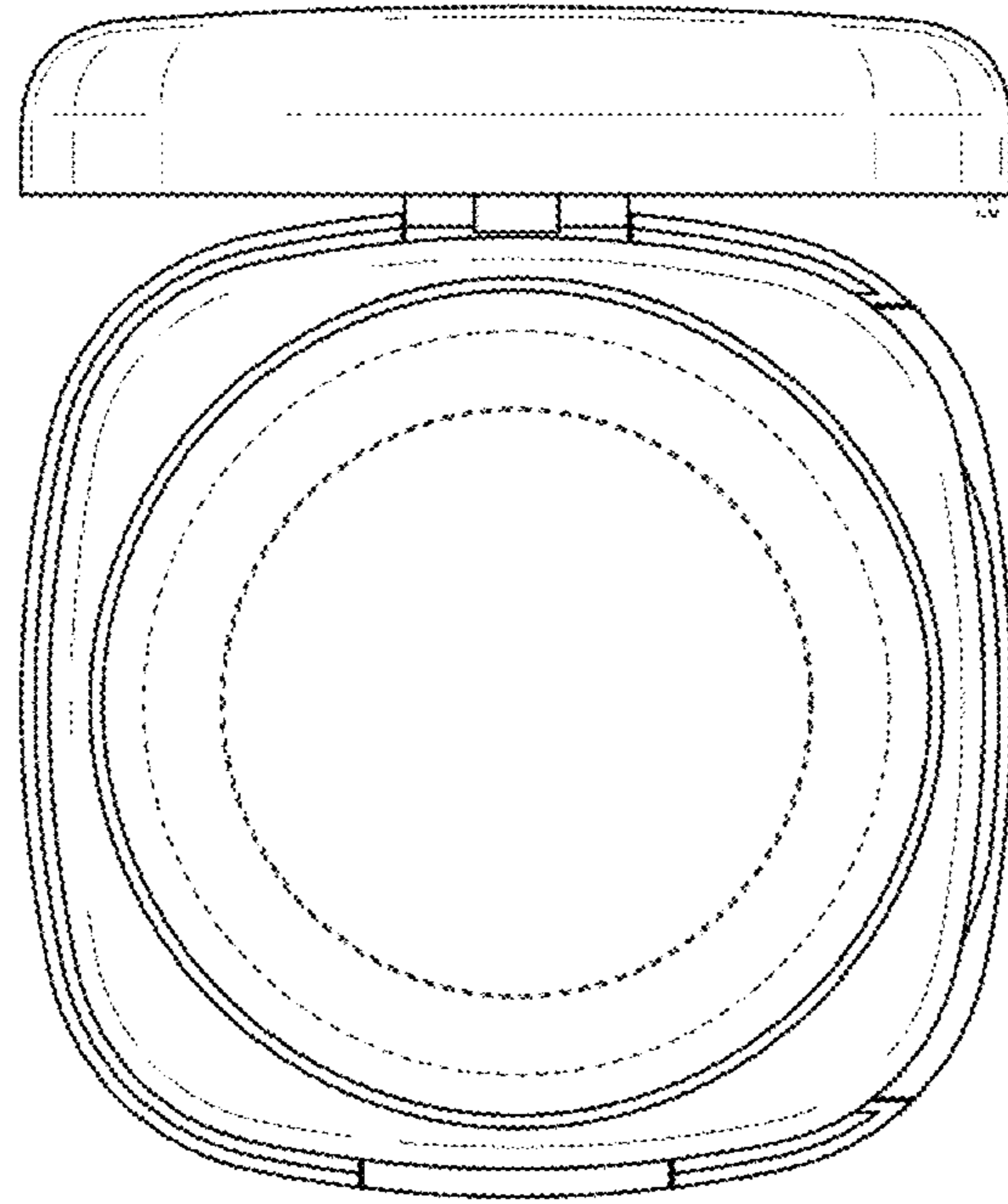


FIG. 6

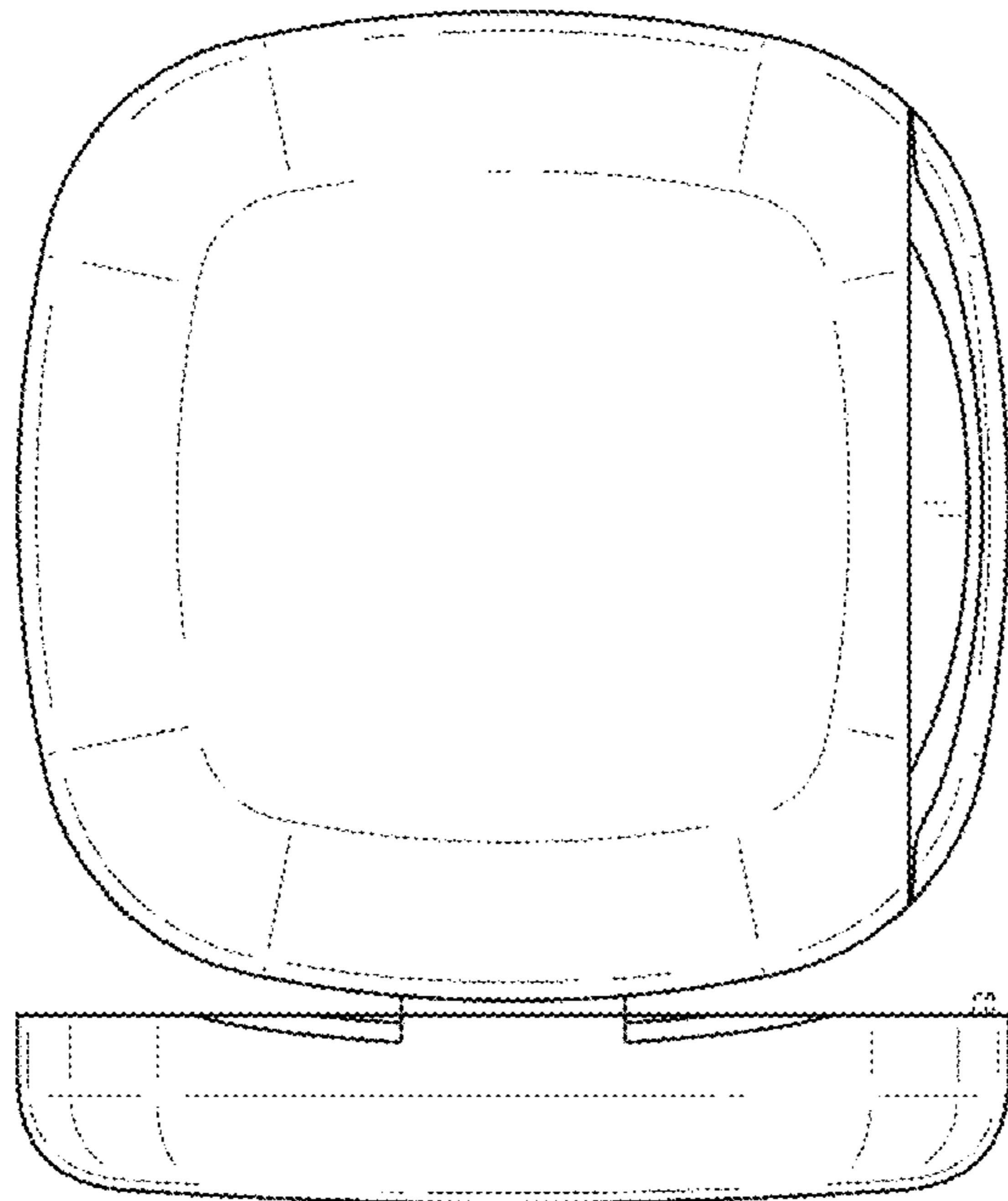


FIG. 7

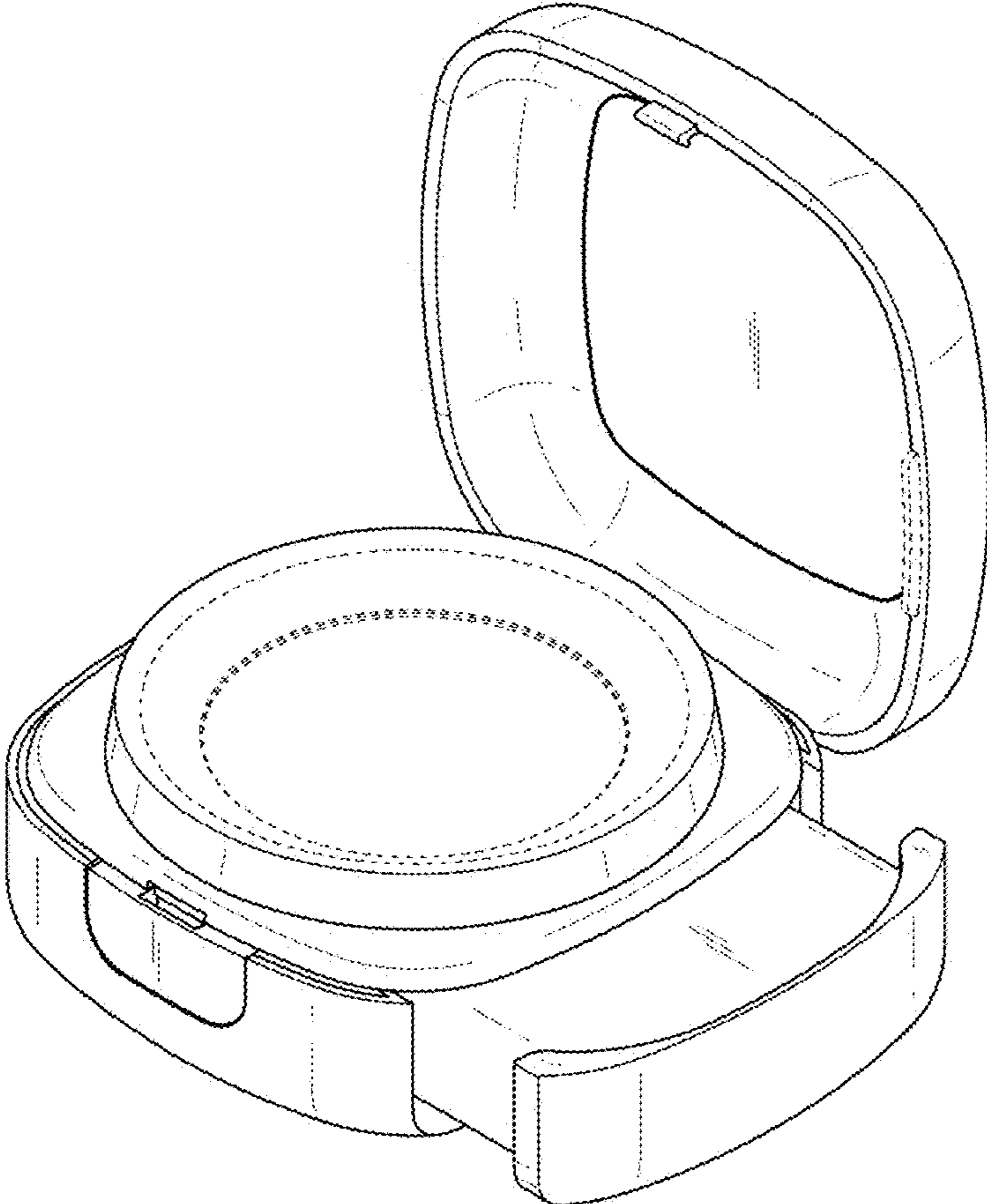


FIG. 8