



US00D884968S

(12) **United States Design Patent** (10) **Patent No.:** **US D884,968 S**
Zhu (45) **Date of Patent:** **** May 19, 2020**

(54) **PORTABLE CURLER**
(71) Applicant: **SHENZHEN HUANMEI ELECTRONIC TECHNOLOGY CO., LTD**, Shenzhen (CN)
(72) Inventor: **Yi Zhu**, Shenzhen (CN)
(73) Assignee: **SHENZHEN HUANMEI ELECTRONIC TECHNOLOGY CO., LTD**, Shenzhen (CN)
(**) Term: **15 Years**
(21) Appl. No.: **29/709,893**
(22) Filed: **Oct. 18, 2019**
(51) **LOC (12) Cl.** **28-03**
(52) **U.S. Cl.**
USPC **D28/35**
(58) **Field of Classification Search**
USPC D28/35
CPC A45D 2001/004; A45D 2/36-367; A45D 2/02; A45D 2/12; A45D 2/122; A45D 2/38; A45D 2/40; A45D 2/01; A45D 1/28; A45D 1/00; A45D 1/06; A45D 1/14; A45D 1/16; A45D 2001/045; A45D 1/04
See application file for complete search history.

2005/0268933 A1* 12/2005 Kimata A45D 2/10 132/238
2015/0114425 A1* 4/2015 Park A45D 1/04 132/229
2015/0196105 A1* 7/2015 Leung A45D 1/04 132/228
2019/0328100 A1* 10/2019 Duan A45D 6/02
2020/0060405 A1* 2/2020 Wang A45D 1/28

OTHER PUBLICATIONS

World's first automated curling iron, 1 page, reviewed as early as Sep. 1, 2019, www.youtube.com.*
Yitrust Automatic Hair Curler, www.amazon.com, 1 page, reviewed as early as Jan. 16, 2020.*

* cited by examiner

Primary Examiner — Jennifer Rivard

(57) **CLAIM**

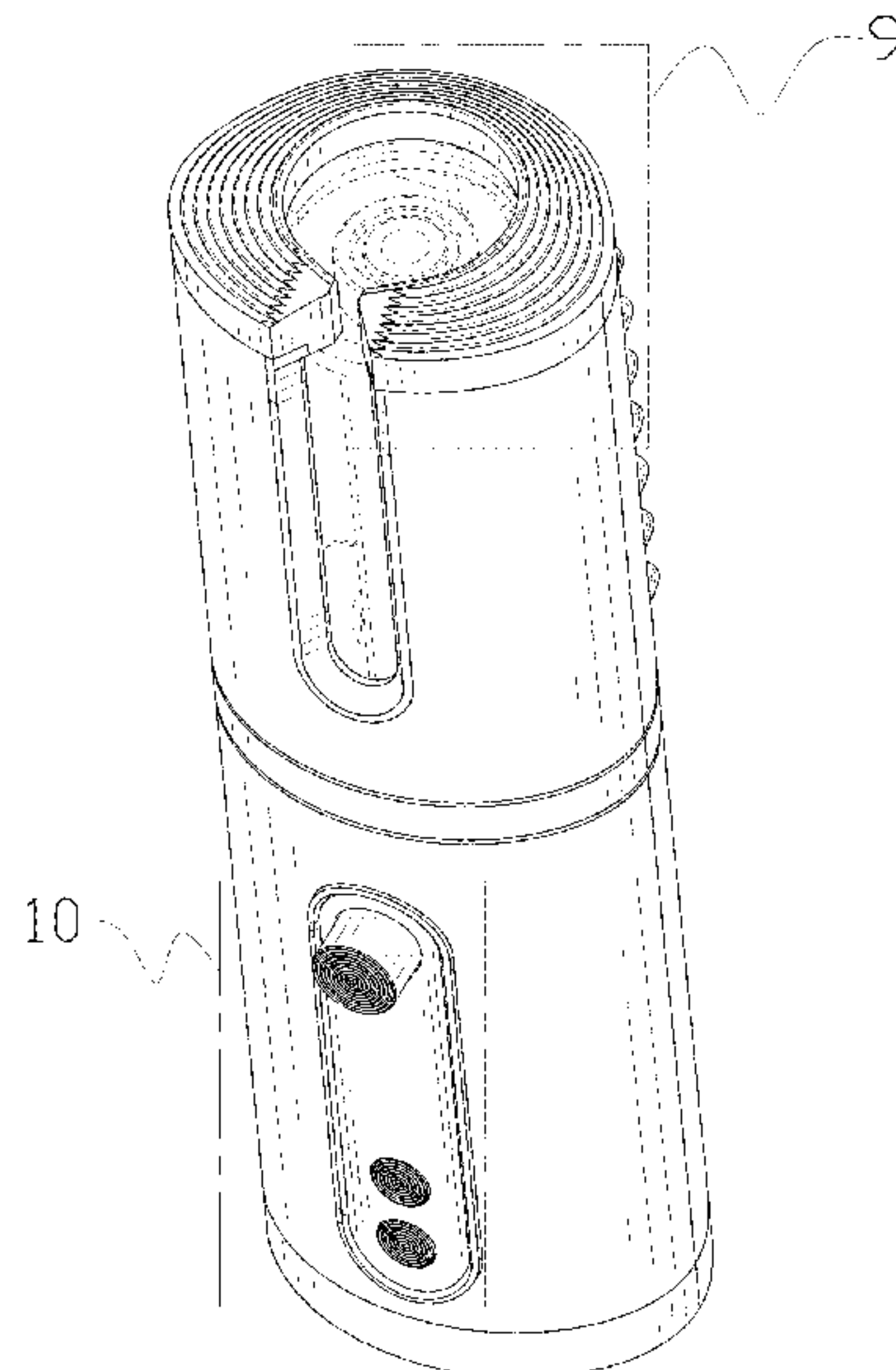
The ornamental design for a portable curler, as shown and described.

DESCRIPTION

FIG. 1 is a perspective view of a portable curler showing my new design;
FIG. 2 is another perspective view thereof;
FIG. 3 is a front elevational view thereof;
FIG. 4 is a rear elevational view thereof;
FIG. 5 is a left side elevational view thereof;
FIG. 6 is a right side elevational view thereof;
FIG. 7 is a top plan view thereof;
FIG. 8 is a bottom plan view thereof;
FIG. 9 is an enlarged view of portion 9 shown in FIG. 1;
FIG. 10 is an enlarged view of portion 10 shown in FIG. 1; and,
FIG. 11 is an enlarged view of portion 11 shown in FIG. 2.
The broken lines in the drawings depict portions of the portable curler that form no part of the claimed design.

1 Claim, 11 Drawing Sheets

(56) **References Cited**
U.S. PATENT DOCUMENTS
8,132,571 B1* 3/2012 Jackson A45D 1/04 132/211
D743,624 S * 11/2015 Richmond D28/35
9,185,957 B2* 11/2015 Richmond A45D 2/36
D769,523 S * 10/2016 Fan D28/35
D797,994 S * 9/2017 Yan D28/35
10,537,162 B2* 1/2020 Yeung A45D 6/02
D876,014 S * 2/2020 Lin D28/35
D876,015 S * 2/2020 Lin D28/35



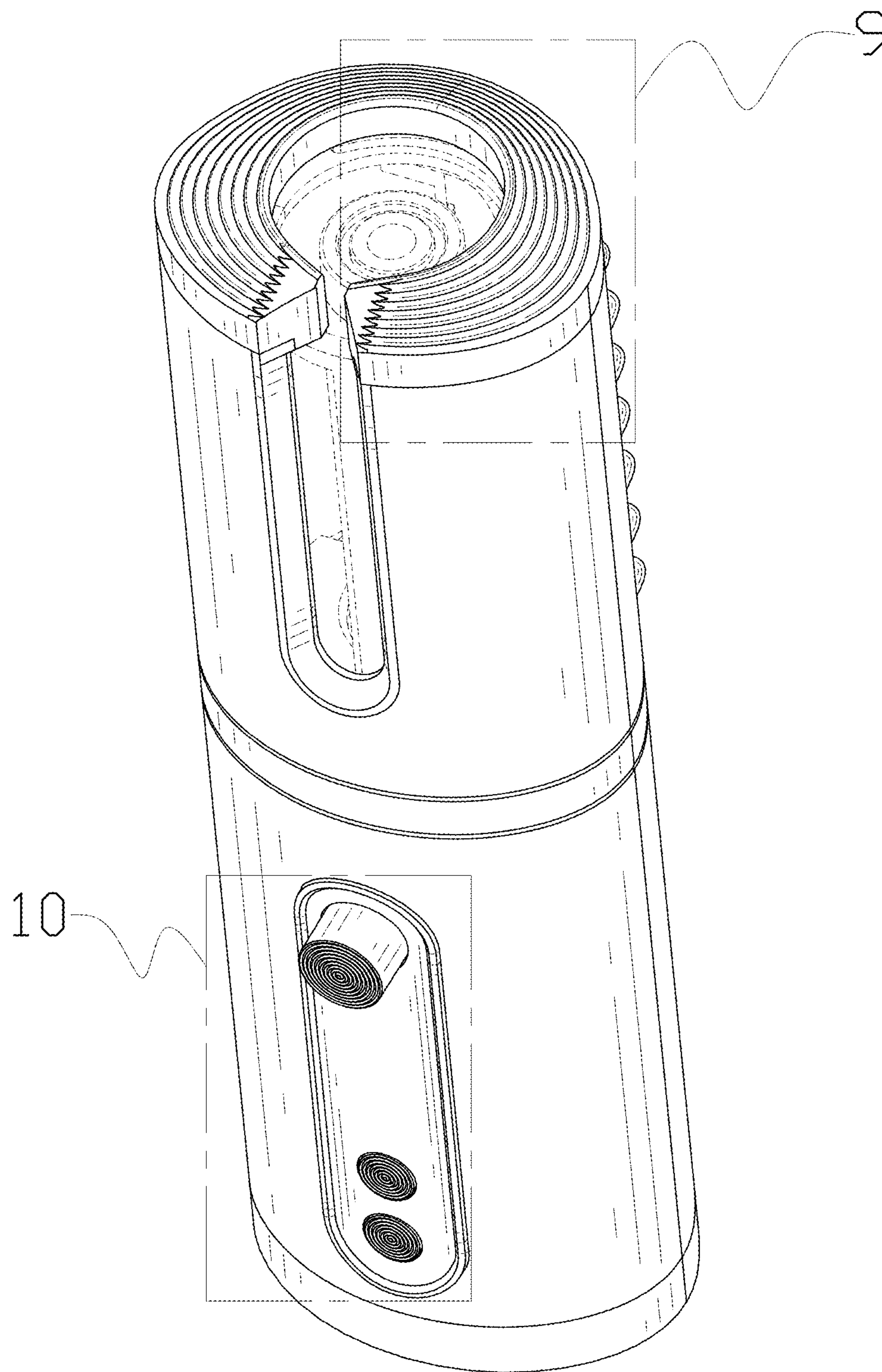


FIG. 1

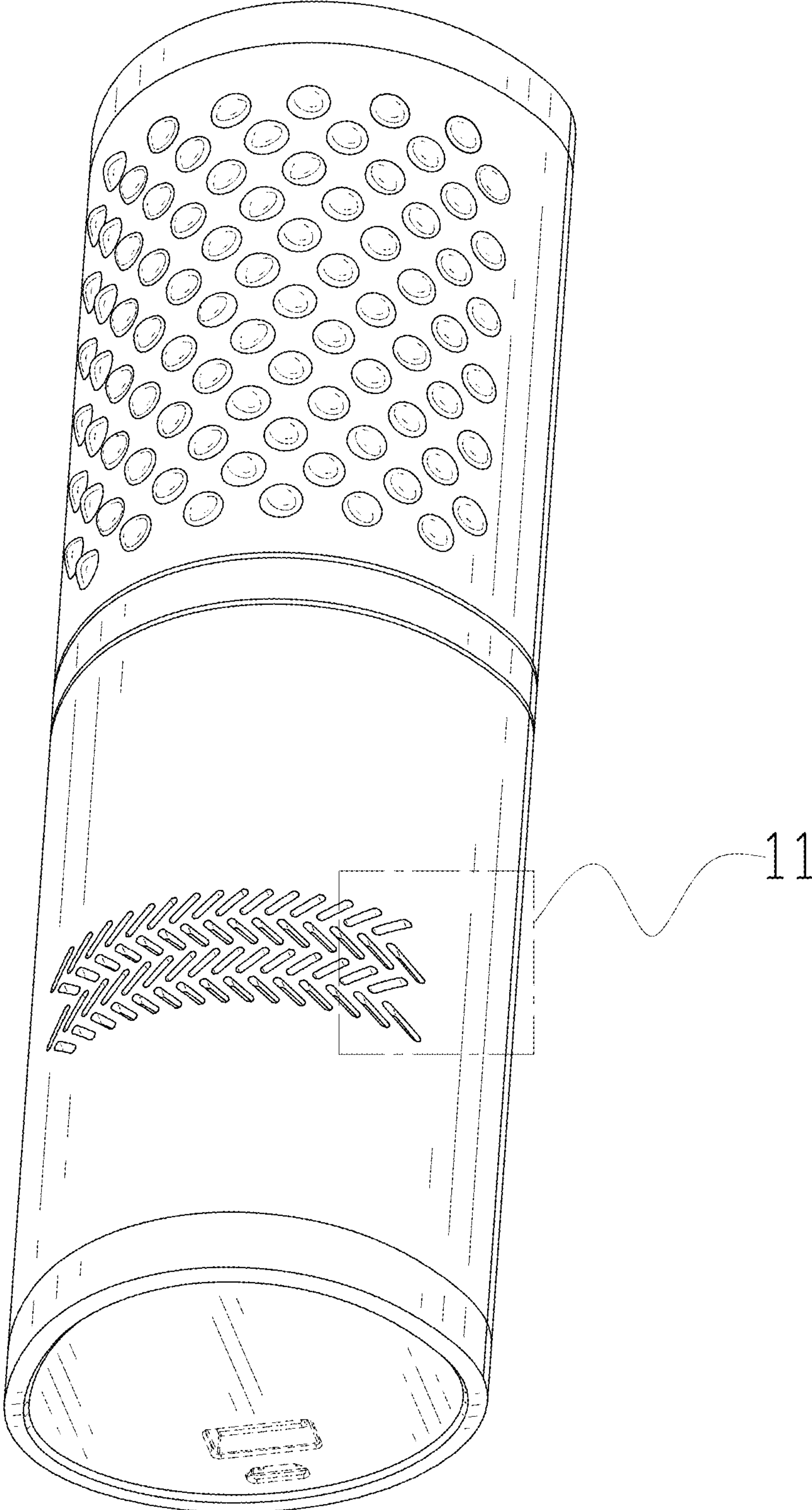


FIG. 2

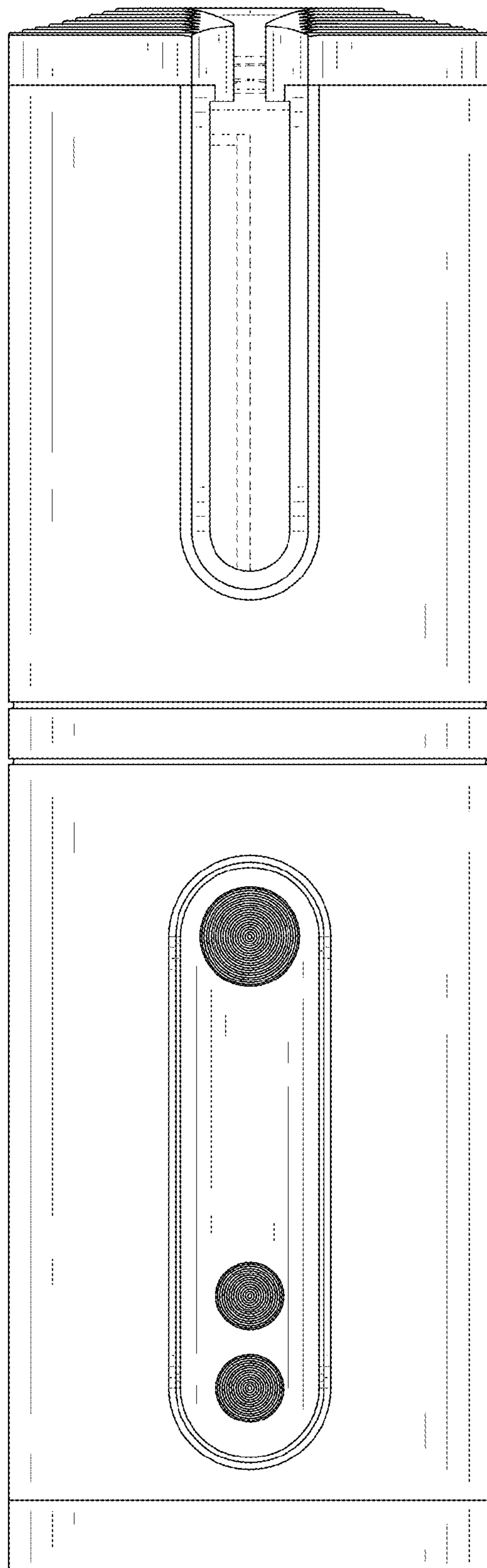


FIG. 3

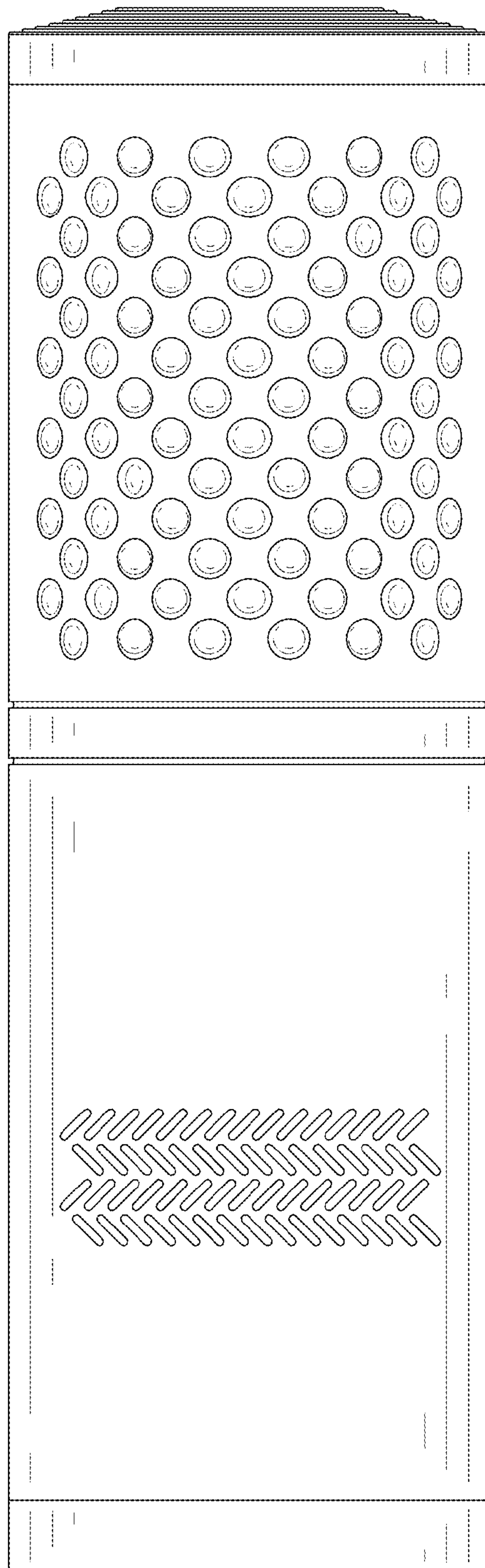


FIG. 4

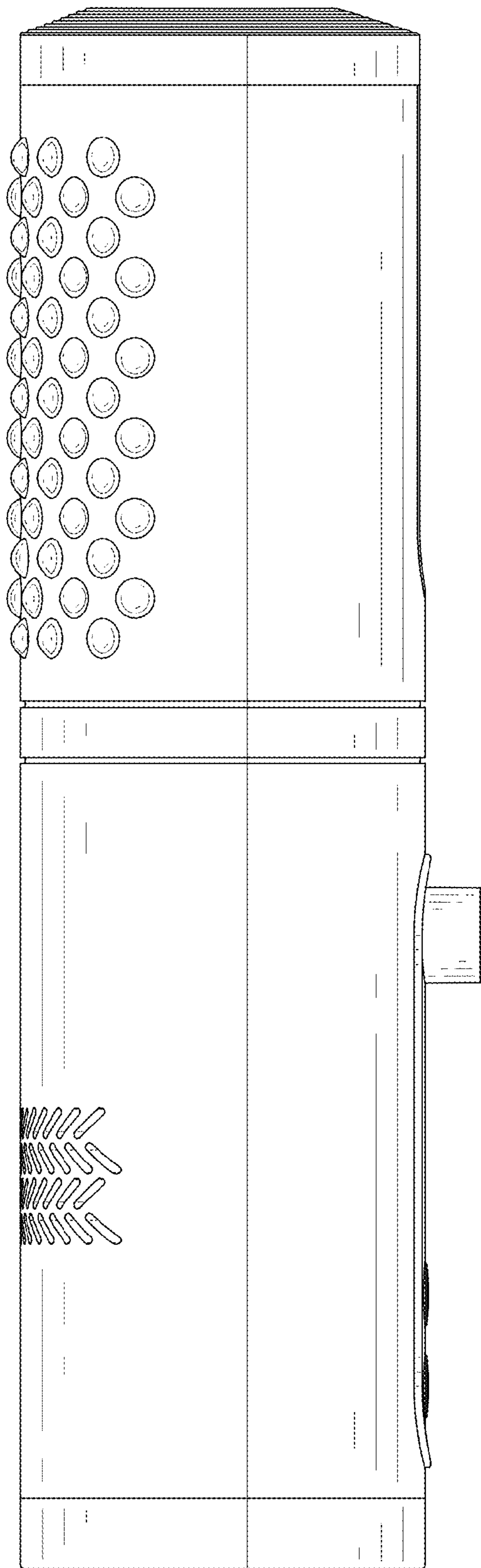


FIG. 5

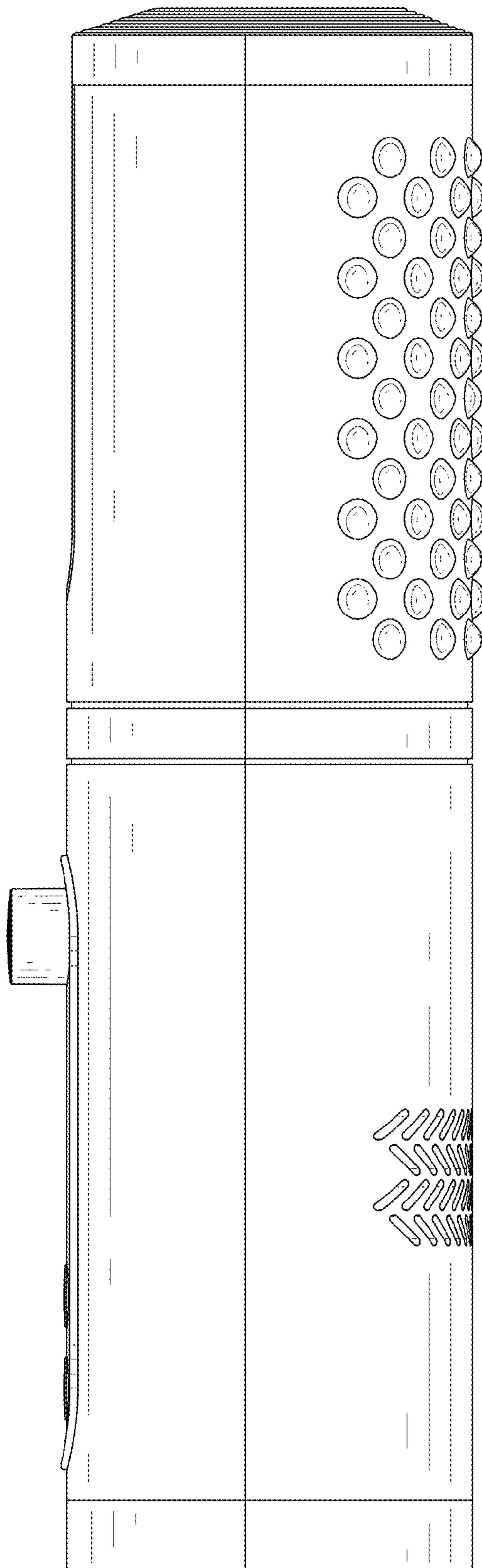


FIG. 6

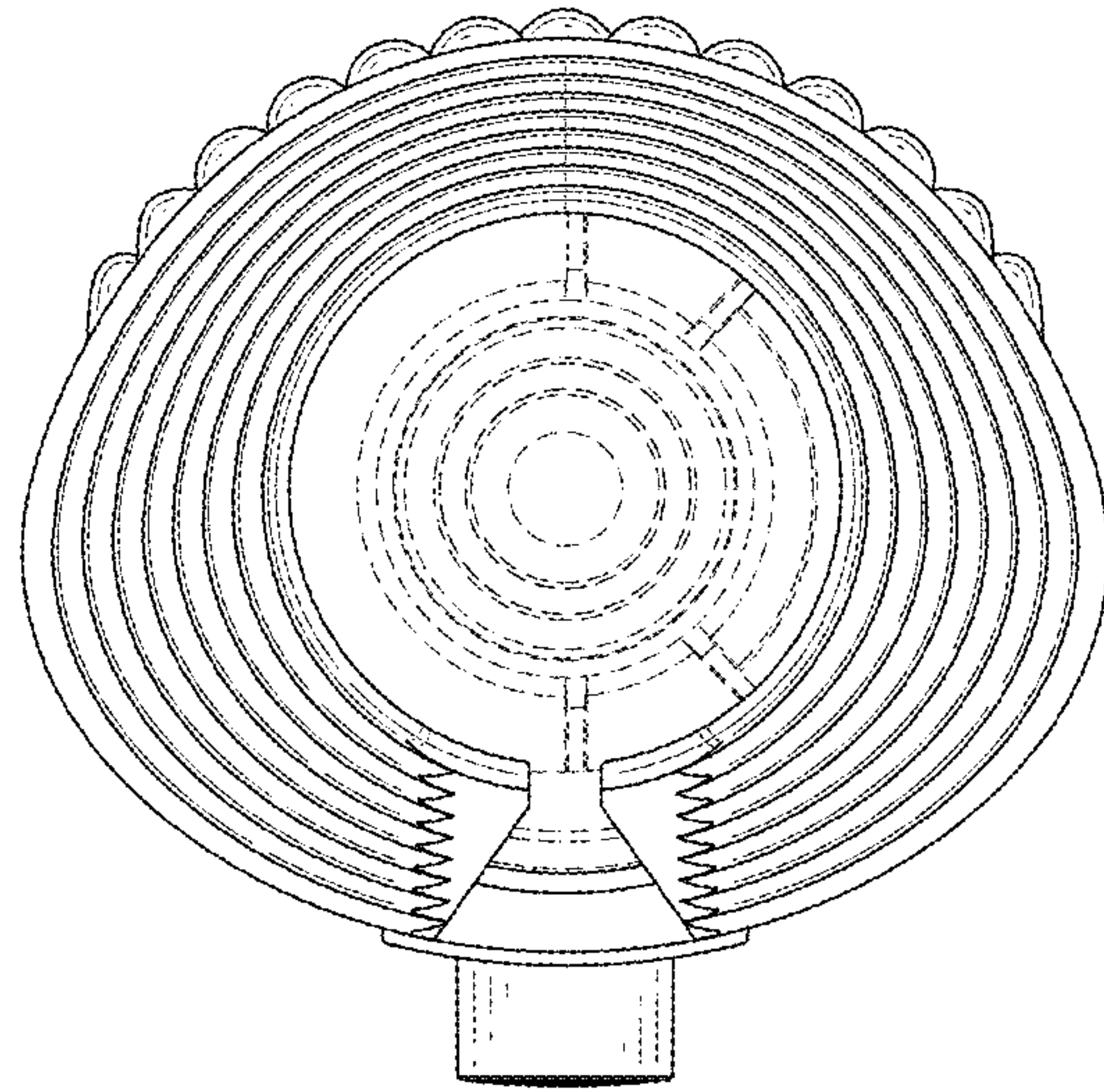


FIG. 7

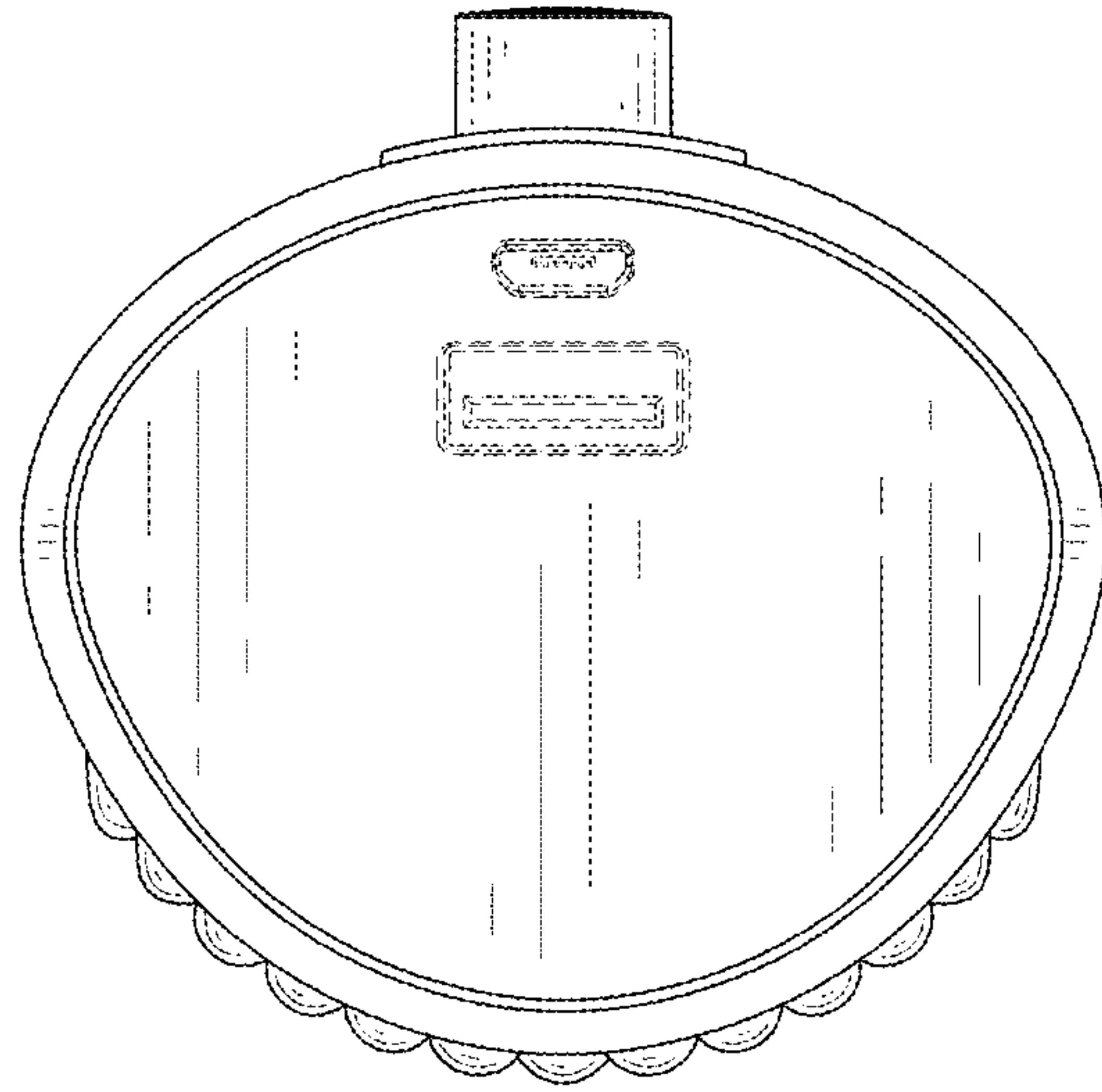


FIG. 8

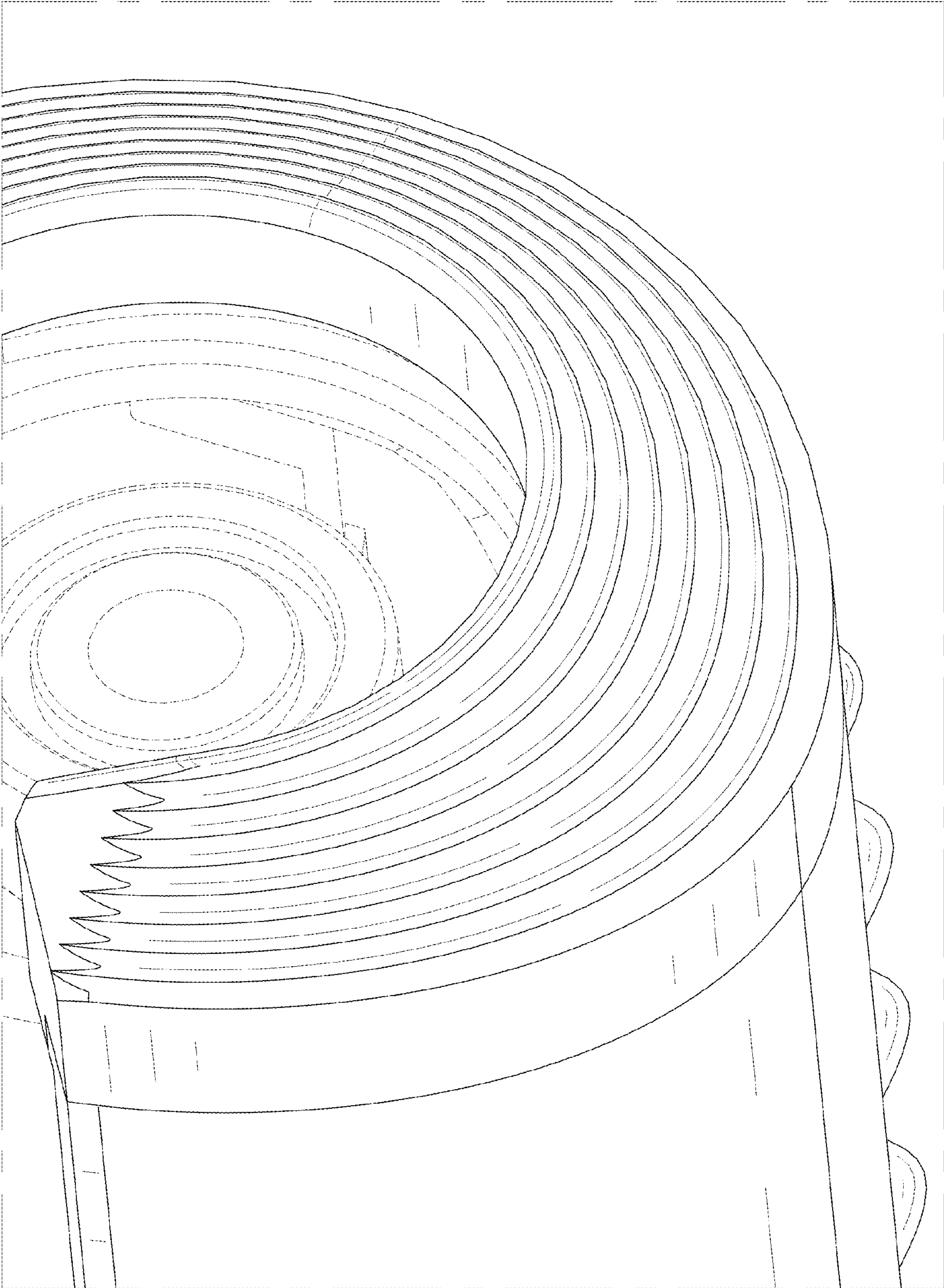


FIG. 9



FIG. 10

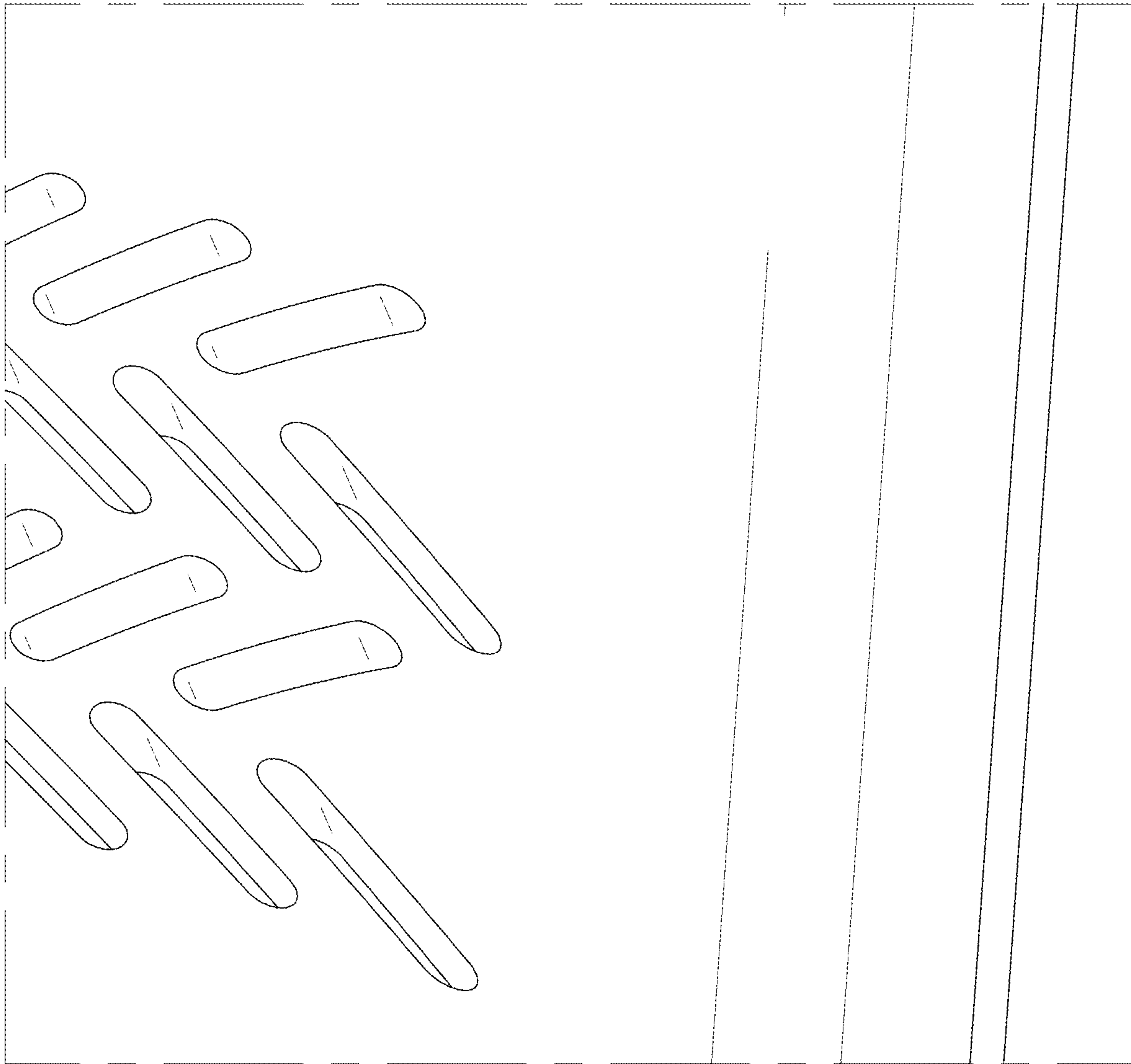


FIG. 11