



US00D884967S

(12) **United States Design Patent** (10) **Patent No.:** **US D884,967 S**
Peng (45) **Date of Patent:** **** May 19, 2020**

- (54) **HAIR CURLER**
- (71) Applicant: **Qian Peng**, Shenzhen (CN)
- (72) Inventor: **Qian Peng**, Shenzhen (CN)
- (73) Assignee: **ShenZhen Umickoo Technology company Limited**, Shenzhen (CN)
- (**) Term: **15 Years**
- (21) Appl. No.: **29/683,387**
- (22) Filed: **Mar. 13, 2019**
- (51) **LOC (12) Cl.** **28-03**
- (52) **U.S. Cl.**
USPC **D28/35**
- (58) **Field of Classification Search**
USPC D28/35
CPC A45D 2001/004; A45D 2/36-367; A45D 2/02; A45D 2/12; A45D 2/122; A45D 2/38; A45D 2/40; A45D 2/01; A45D 1/28; A45D 1/00; A45D 1/06; A45D 1/14; A45D 1/16; A45D 2001/045; A45D 1/04
See application file for complete search history.

D765,910 S * 9/2016 Bermudez D28/35
 2010/0263223 A1* 10/2010 Wynne A45D 20/12
 34/97
 2015/0075551 A1* 3/2015 Richmond A45D 7/02
 132/211

OTHER PUBLICATIONS

Sabuy Curling Wand, www.amazon.com., 1 page, reviewed as early as Dec. 2018 https://www.amazon.com/Curling-Tourmaline-Technology-Adjustable-Temperature/dp/B07PHCMCTP/ref=sr_1_2?keywords=sabuy&qid=1585060314&sr=8-2&th=1 (Year: 2018).*

* cited by examiner

Primary Examiner — Jennifer Rivard

(57) **CLAIM**

The ornamental design for a hair curler, as shown and described.

DESCRIPTION

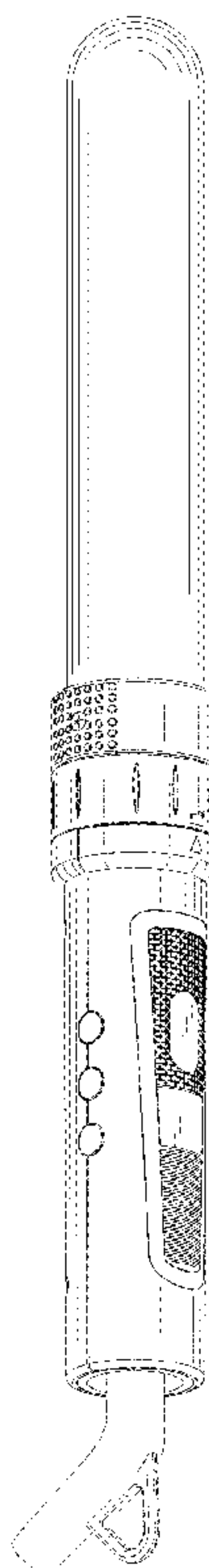
FIG. 1 is a perspective view of the hair curler showing my new design;
 FIG. 2 is a front elevational view thereof;
 FIG. 3 is a rear elevational view thereof;
 FIG. 4 is a left side elevational view thereof;
 FIG. 5 is a right side elevational view thereof;
 FIG. 6 is a top plan view thereof; and,
 FIG. 7 is a bottom plan view thereof.
 The broken lines in the figures depict the portions of the hair curler that form no part of the claimed design.

1 Claim, 3 Drawing Sheets

(56) **References Cited**

U.S. PATENT DOCUMENTS

- D646,023 S * 9/2011 Kim D28/35
- D659,284 S * 5/2012 Amkie D28/35
- D724,268 S * 3/2015 Gardella D28/37



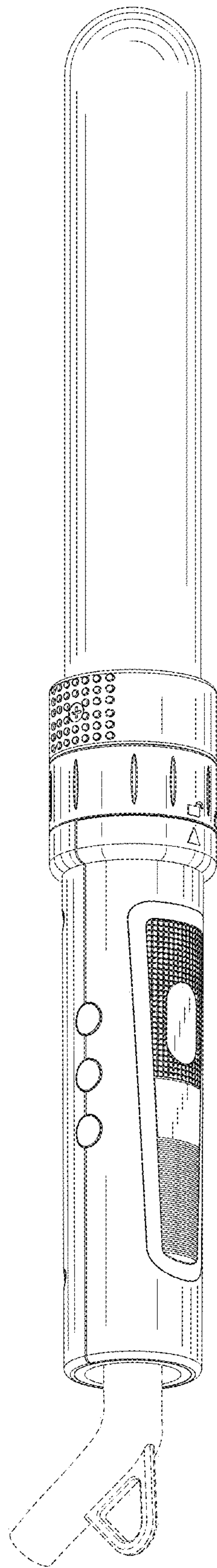


FIG. 1

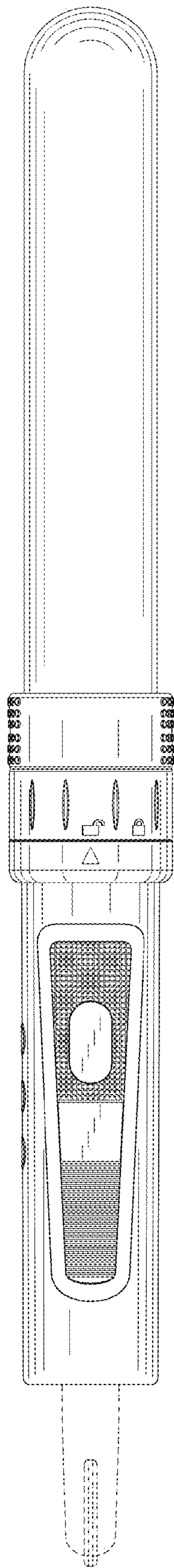


FIG. 2

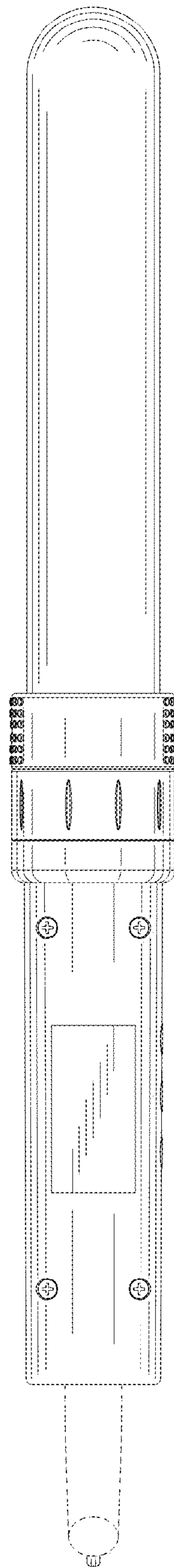


FIG. 3

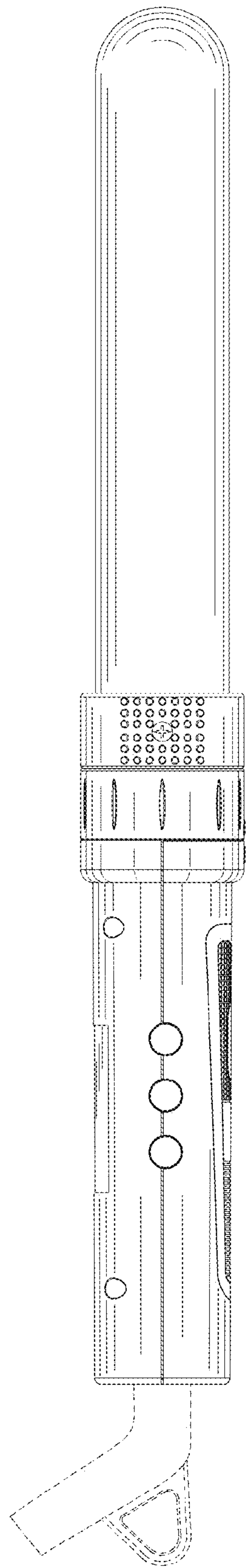


FIG. 4

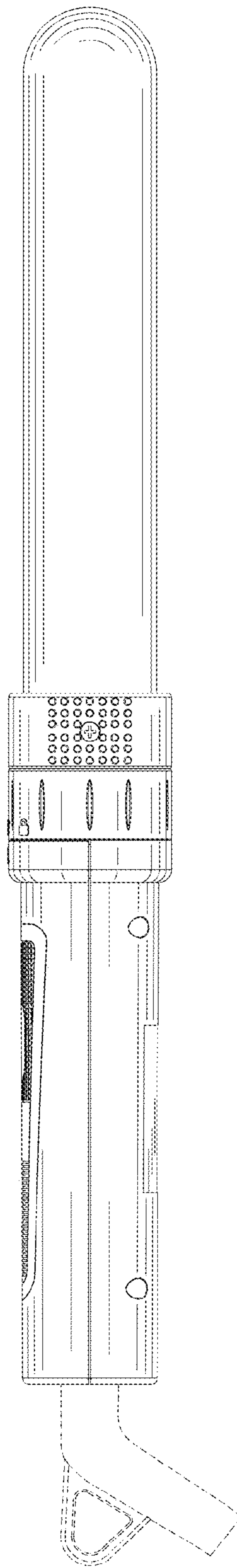


FIG. 5

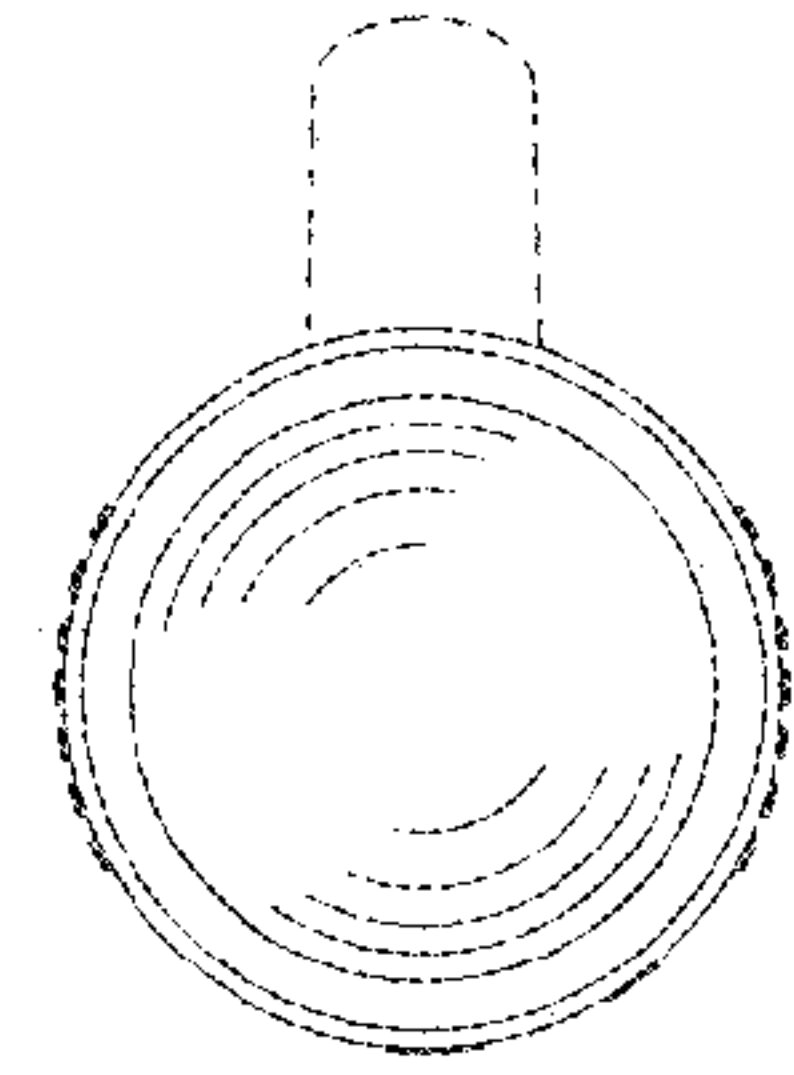


FIG. 6

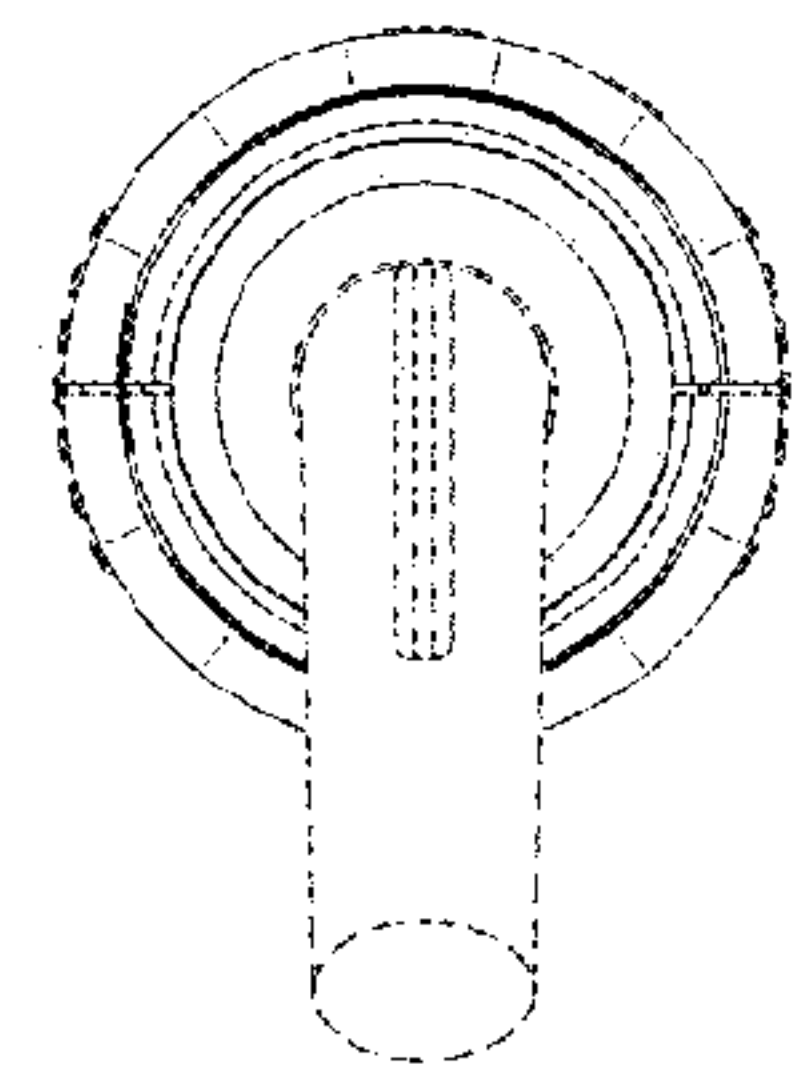


FIG. 7