



US00D884965S

(12) **United States Design Patent** (10) **Patent No.:** **US D884,965 S**  
**Liu** (45) **Date of Patent:** **\*\* May 19, 2020**

(54) **HAIR DRYER**

D798,502 S \* 9/2017 Smith ..... D28/13  
D850,717 S \* 6/2019 Huang ..... D28/13  
D861,246 S 9/2019 Hsu

(71) Applicant: **Jianwen Liu, Ji'An (CN)**

\* cited by examiner

(72) Inventor: **Jianwen Liu, Ji'An (CN)**

*Primary Examiner* — Zenia I Bennett

(\*\*) Term: **15 Years**

(57) **CLAIM**

(21) Appl. No.: **29/721,211**

The ornamental design for a hair dryer, as shown and described.

(22) Filed: **Jan. 18, 2020**

**DESCRIPTION**

(51) **LOC (12) Cl.** ..... **28-03**

(52) **U.S. Cl.**  
USPC ..... **D28/13**

(58) **Field of Classification Search**  
USPC ..... D28/12-19  
CPC ..... A45D 20/00; A45D 20/08; A45D 20/50;  
A45D 20/52

See application file for complete search history.

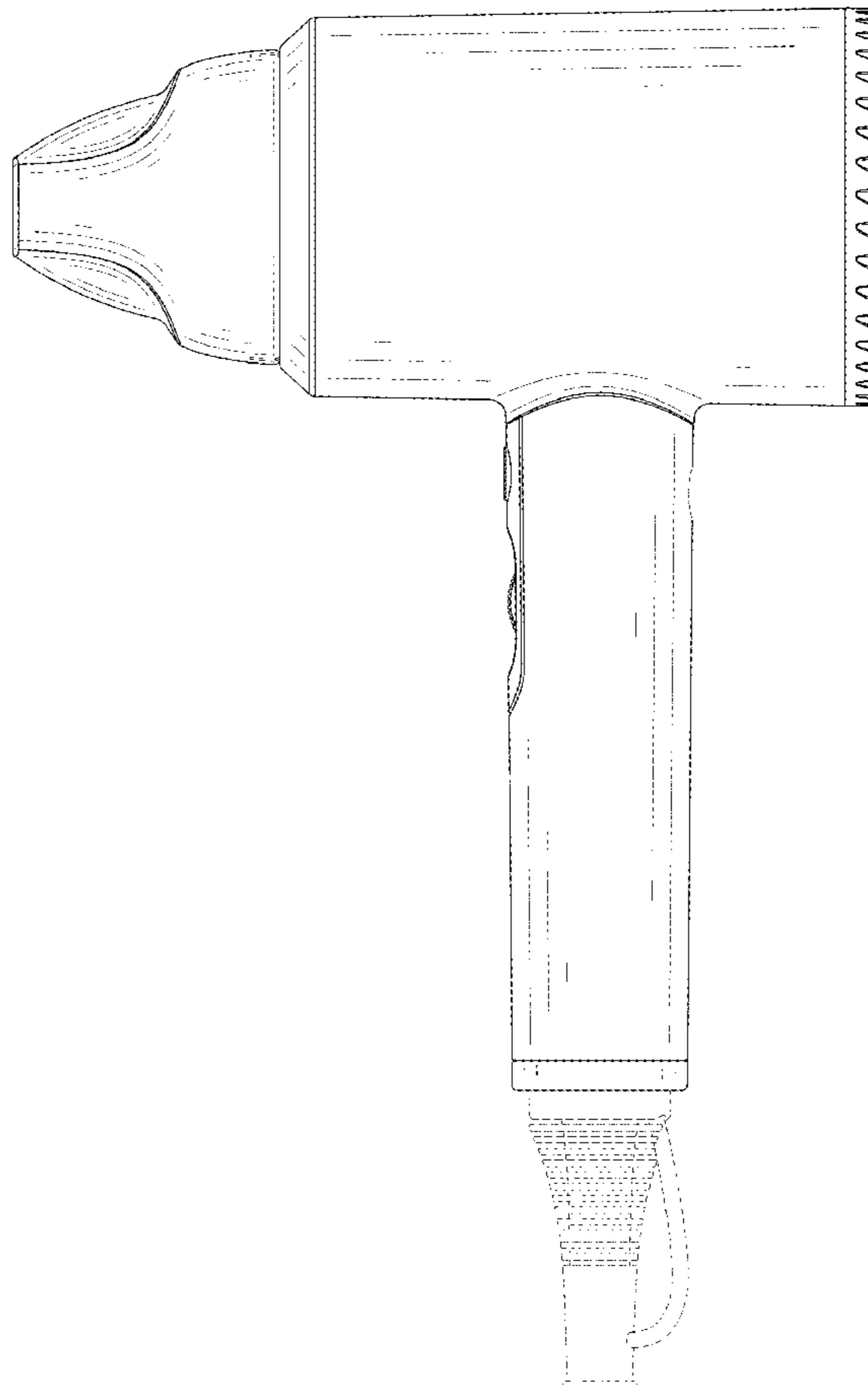
FIG. 1 is a perspective view of a hair dryer showing my new design;  
FIG. 2 is another perspective view thereof;  
FIG. 3 is a front elevational view thereof;  
FIG. 4 is a rear elevational view thereof;  
FIG. 5 is a left side elevational view thereof;  
FIG. 6 is a right side elevational view thereof;  
FIG. 7 is a top plan view thereof;  
FIG. 8 is a bottom plan view thereof;  
FIG. 9 is an exploded view of the hair dryer;  
FIG. 10 is an enlarged view of portion 10 shown in FIG. 1;  
and,  
FIG. 11 is an enlarged view of portion 11 shown in FIG. 2.  
The broken lines in the drawings depict portions of the hair dryer that form no part of the claimed design.

(56) **References Cited**

**U.S. PATENT DOCUMENTS**

D527,145 S \* 8/2006 Zimmermann ..... D28/13  
D605,355 S \* 12/2009 Keong ..... D28/13  
D615,243 S \* 5/2010 Parodi ..... D28/13  
D782,733 S \* 3/2017 Smith ..... D28/13  
D787,745 S \* 5/2017 Lamballais ..... D28/13  
D788,365 S \* 5/2017 Lamballais ..... D28/13

**1 Claim, 11 Drawing Sheets**



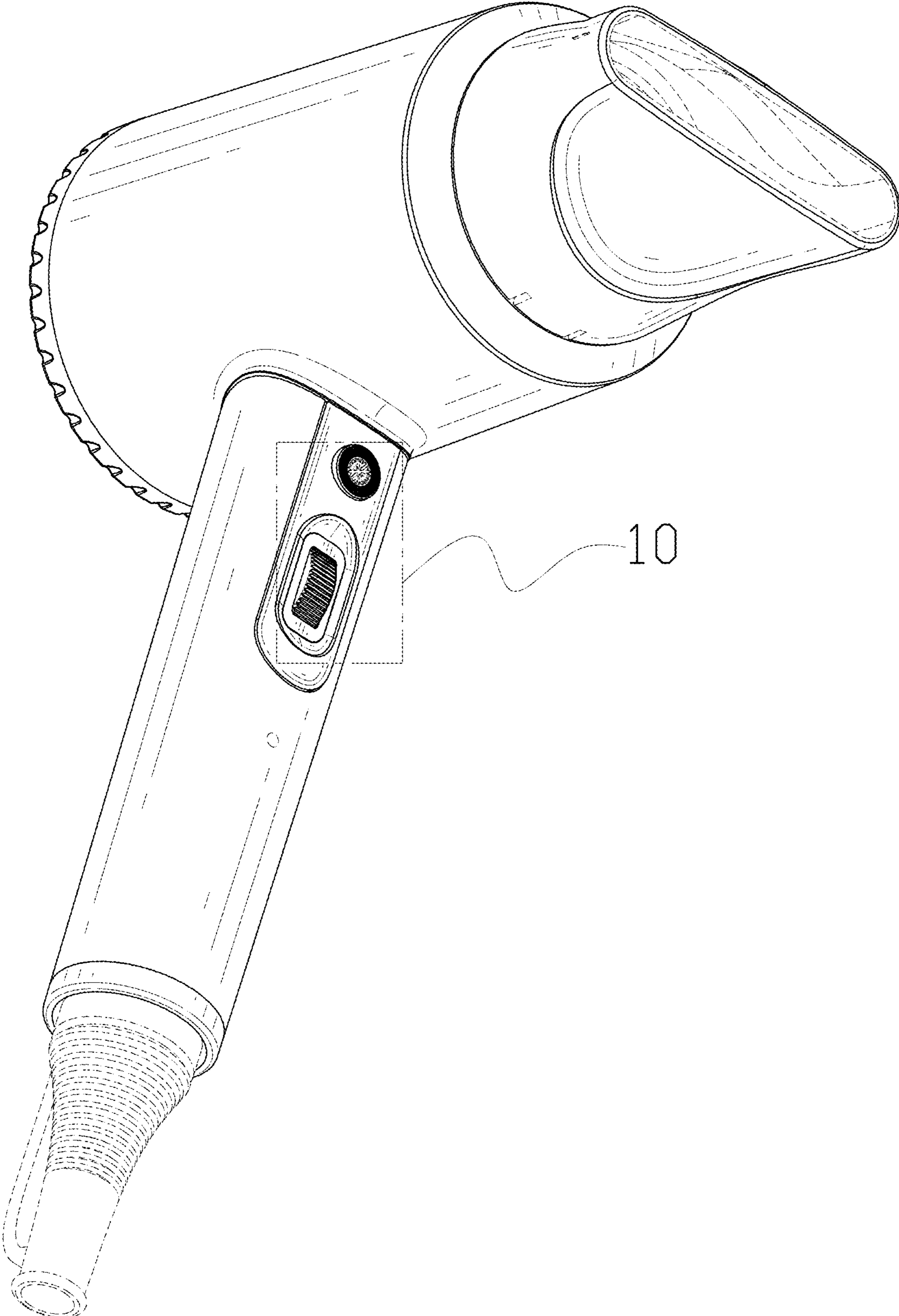


FIG. 1

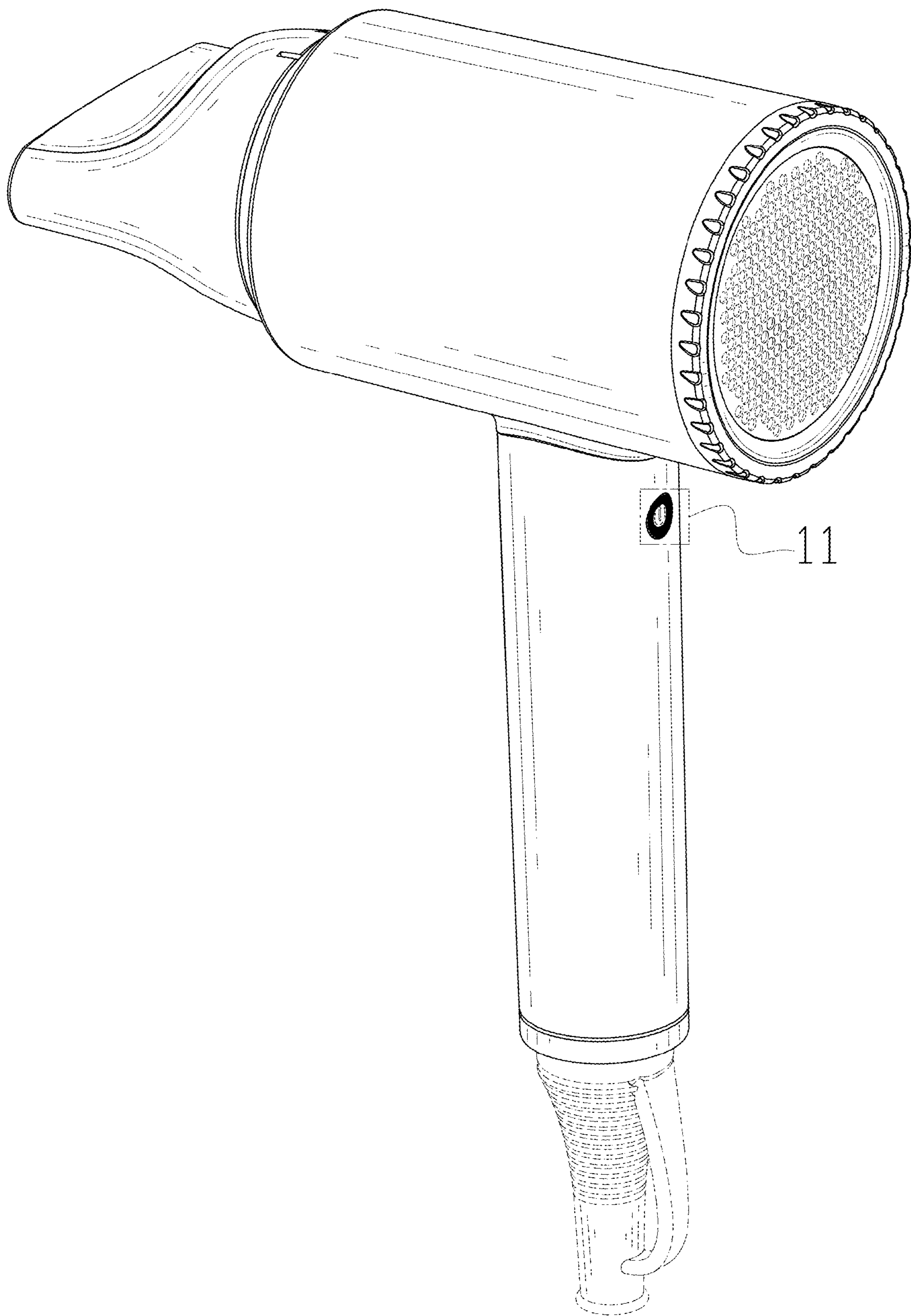


FIG. 2

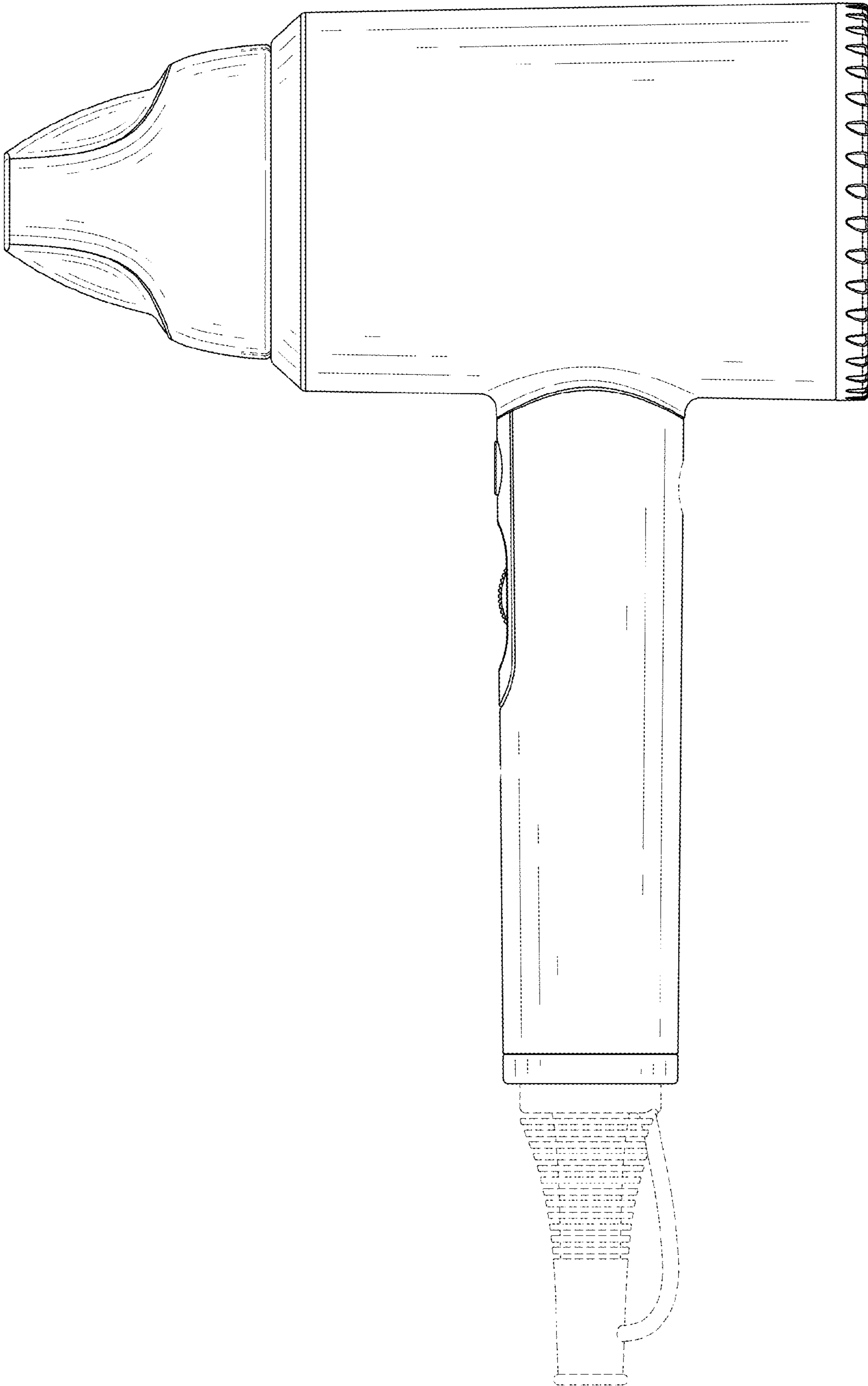


FIG. 3

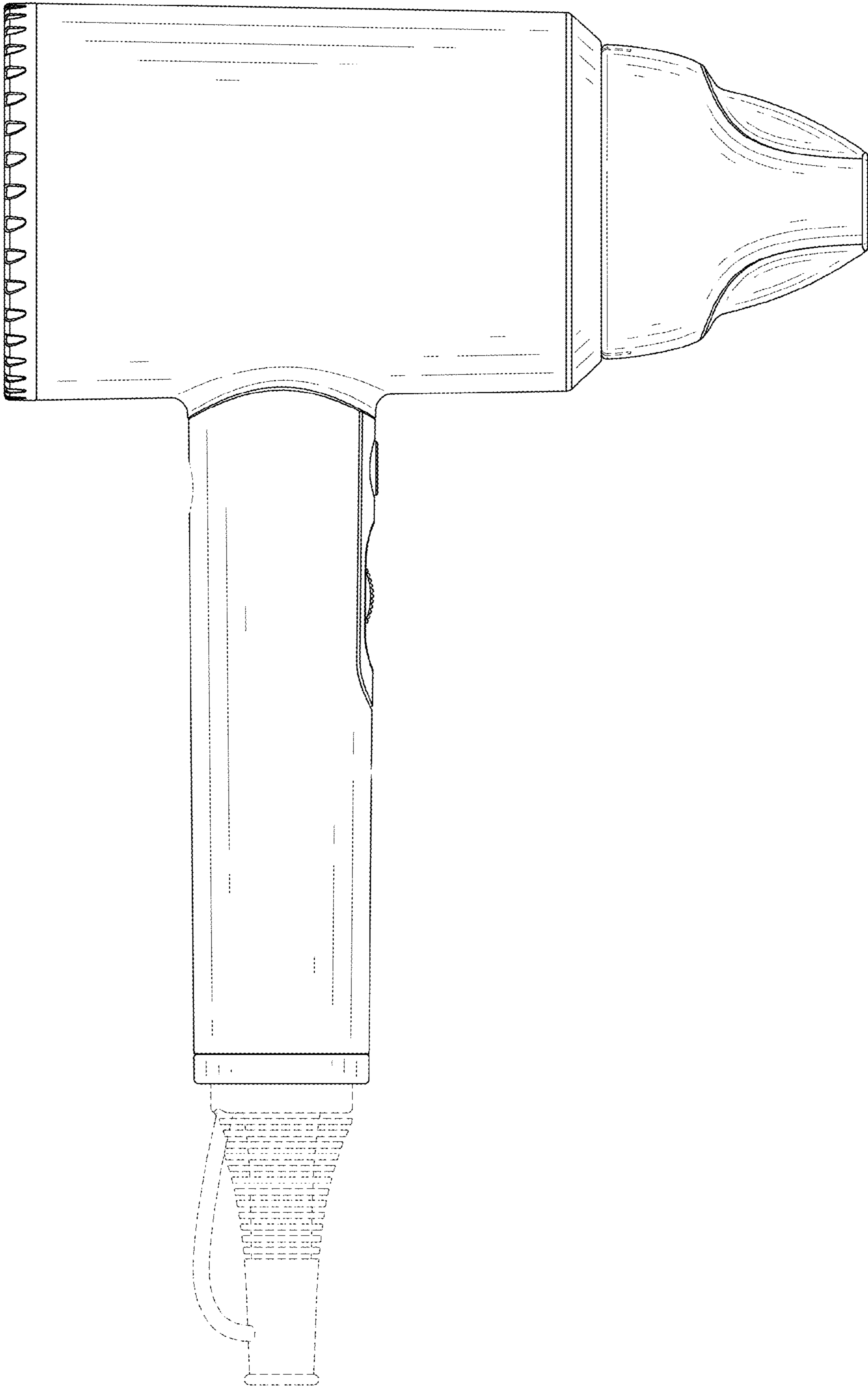


FIG. 4

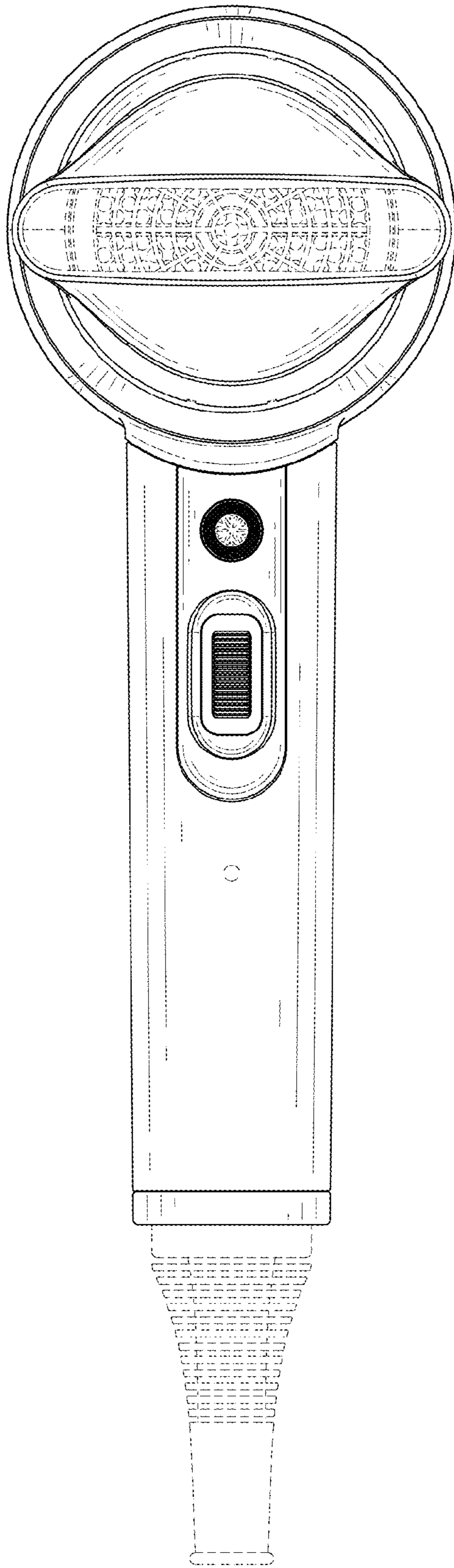


FIG. 5

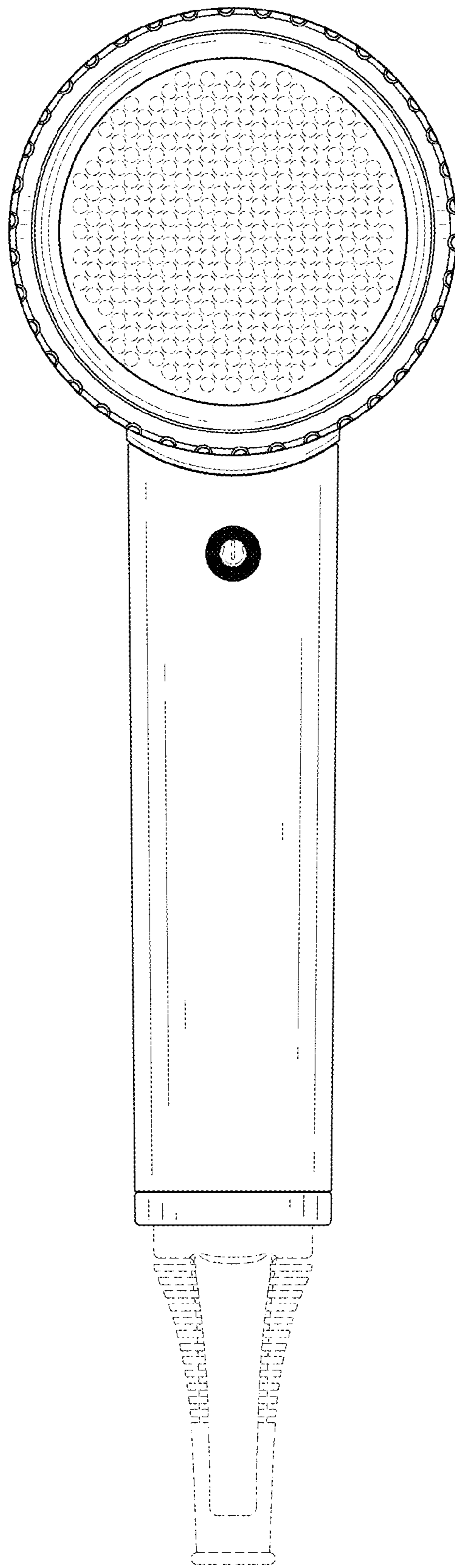


FIG. 6

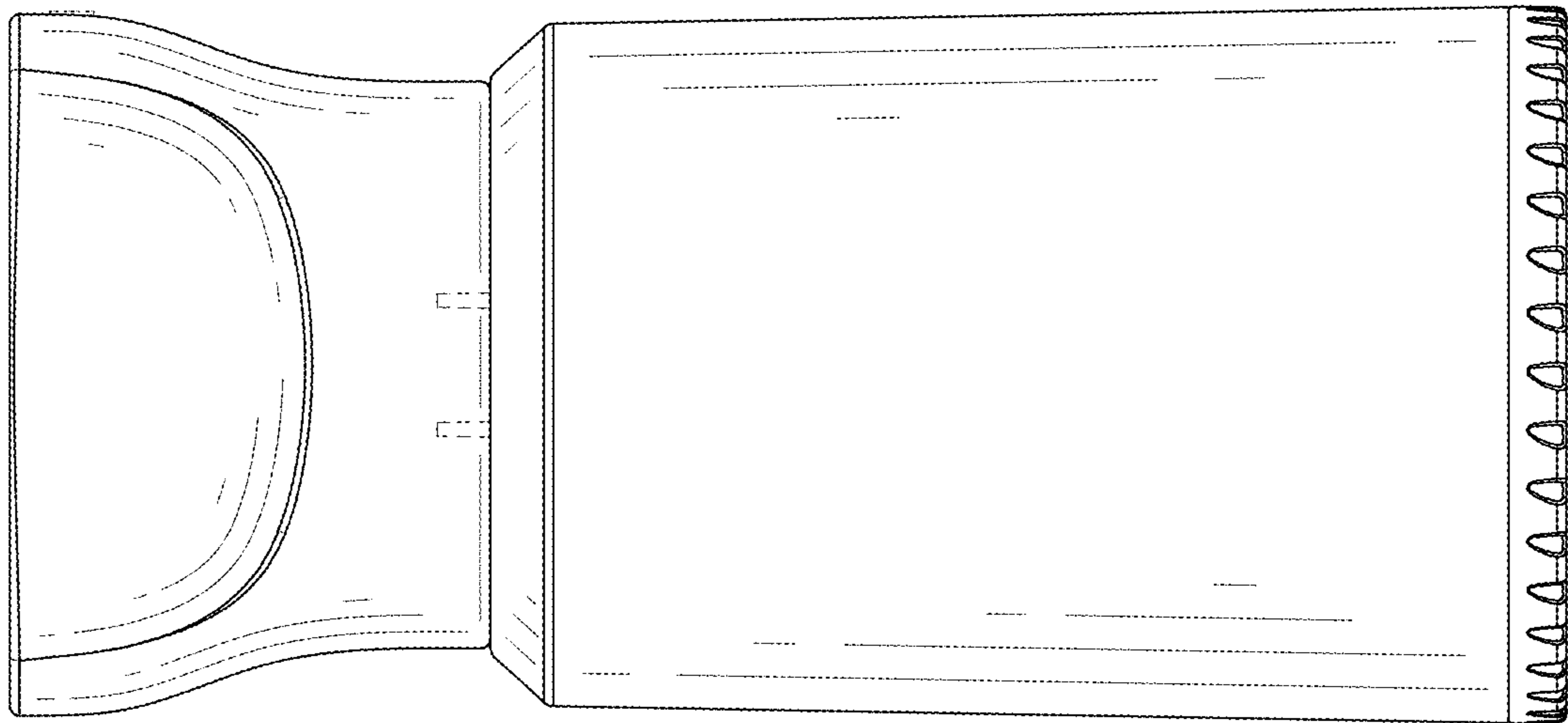


FIG. 7



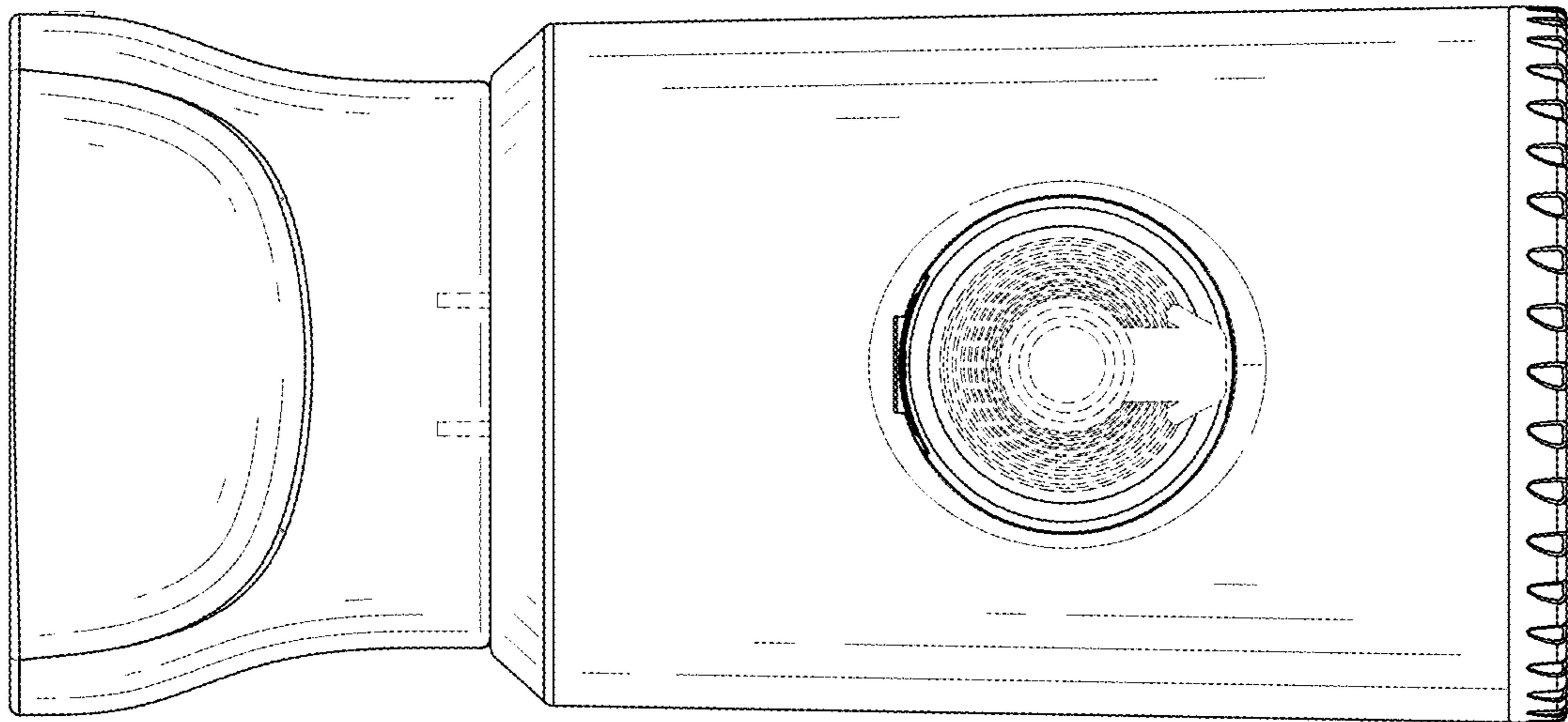


FIG. 8



FIG. 9

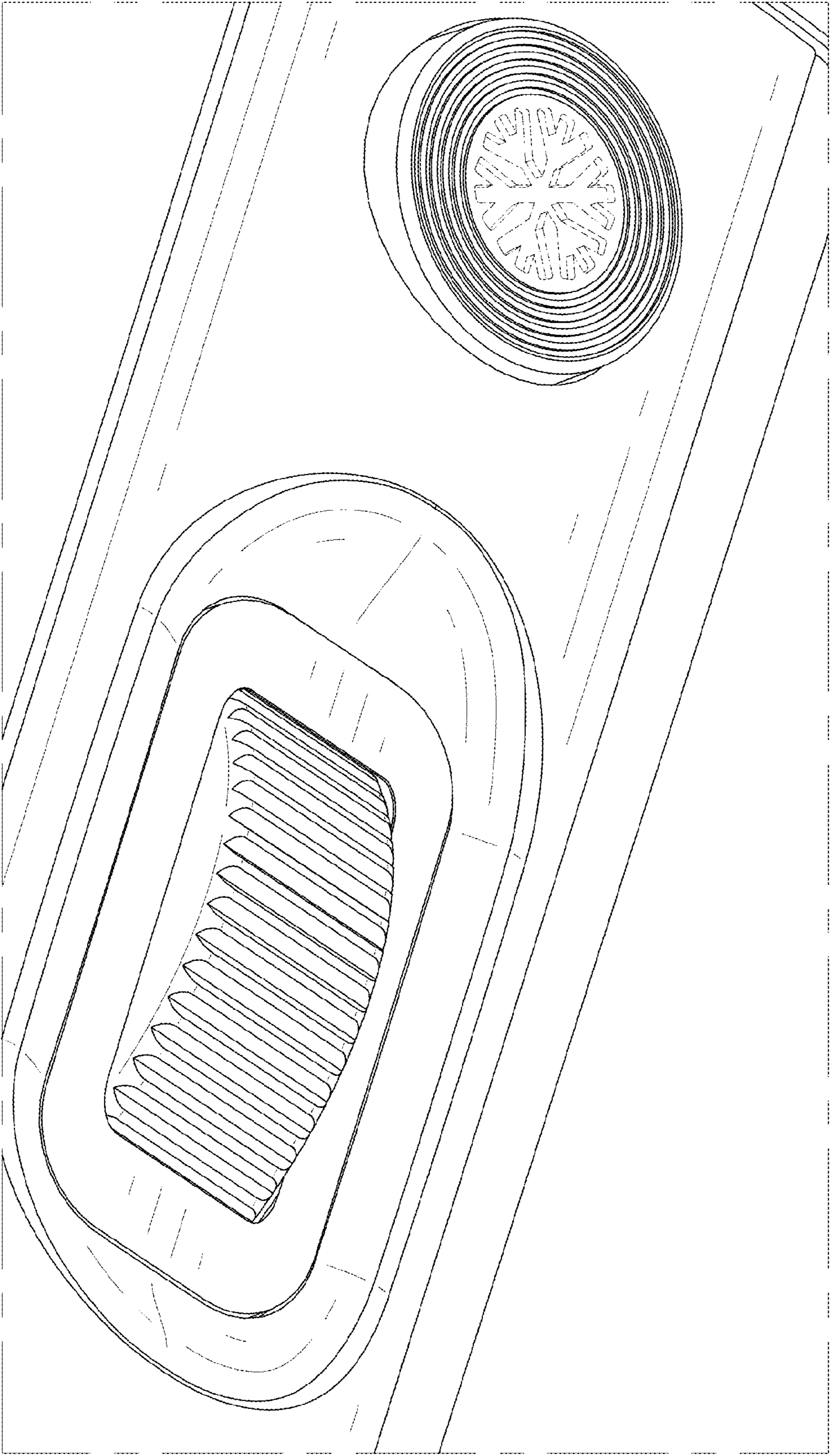


FIG. 10

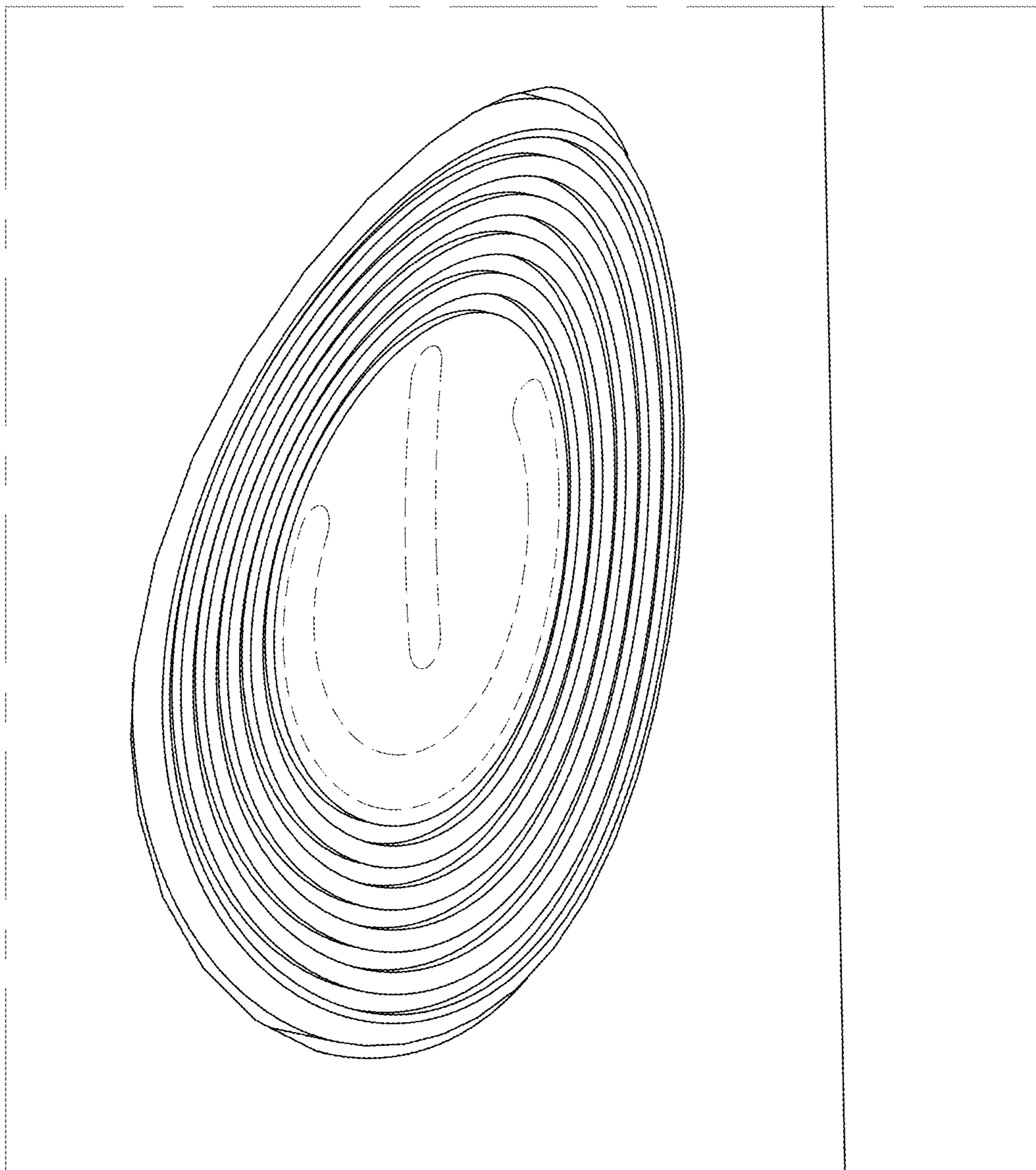


FIG. 11