



US00D884964S

(12) **United States Design Patent** (10) **Patent No.:** **US D884,964 S**
Wang (45) **Date of Patent:** **** May 19, 2020**

- (54) **COSMETIC MASK TOOL ASSEMBLY**
- (71) Applicant: **Hongcheng Wang**, Leizhou (CN)
- (72) Inventor: **Hongcheng Wang**, Leizhou (CN)
- (**) Term: **15 Years**
- (21) Appl. No.: **29/643,812**
- (22) Filed: **Apr. 12, 2018**
- (51) **LOC (12) Cl.** **28-02**
- (52) **U.S. Cl.**
USPC **D28/7**
- (58) **Field of Classification Search**
USPC D28/7, 4, 9, 99; D29/100, 105, 108-110,
D29/112; 2/173, 410, 423, 424;
132/319; 604/303
CPC A41D 13/00; A41D 13/11; A41D 13/1107;
A41D 13/1161; A41D 13/1184; A41D
13/161; A41D 13/169; A41D 13/1192
See application file for complete search history.

(56) **References Cited**

U.S. PATENT DOCUMENTS

- 3,991,753 A * 11/1976 Viesca y Viesca
A41D 13/1184
128/201.12
- 4,591,501 A * 5/1986 Cioca A61K 8/0212
424/401
- D570,541 S * 6/2008 Ohnishi D28/9
- D601,210 S * 9/2009 Woye D21/659
- D608,500 S * 1/2010 Lu D28/9
- D634,473 S * 3/2011 Koike D28/4
- D689,651 S * 9/2013 Kusuda D28/7
- D693,056 S * 11/2013 Omoto D28/7
- D693,058 S * 11/2013 Omoto D28/7
- D715,453 S * 10/2014 In D24/206
- D715,454 S * 10/2014 Riggons D24/206
- D726,368 S * 4/2015 Durocher D28/7

- D734,896 S * 7/2015 Mam D29/108
- D743,110 S * 11/2015 Welborn D29/108
- D750,843 S * 3/2016 Welborn D29/108
- D768,927 S * 10/2016 Eisenberg D28/9
- D787,115 S * 5/2017 Pan D28/7
- D833,674 S * 11/2018 Pan D28/7
- D836,835 S * 12/2018 Hazem D28/7
- 10,274,753 B2 * 4/2019 Hofer-Kraner G02F 1/13318
- 2006/0048278 A1 * 3/2006 Pitsolis A45D 44/002
2/206

* cited by examiner

Primary Examiner — Susan Bennett Hattan
Assistant Examiner — Rebecca Tsehaye

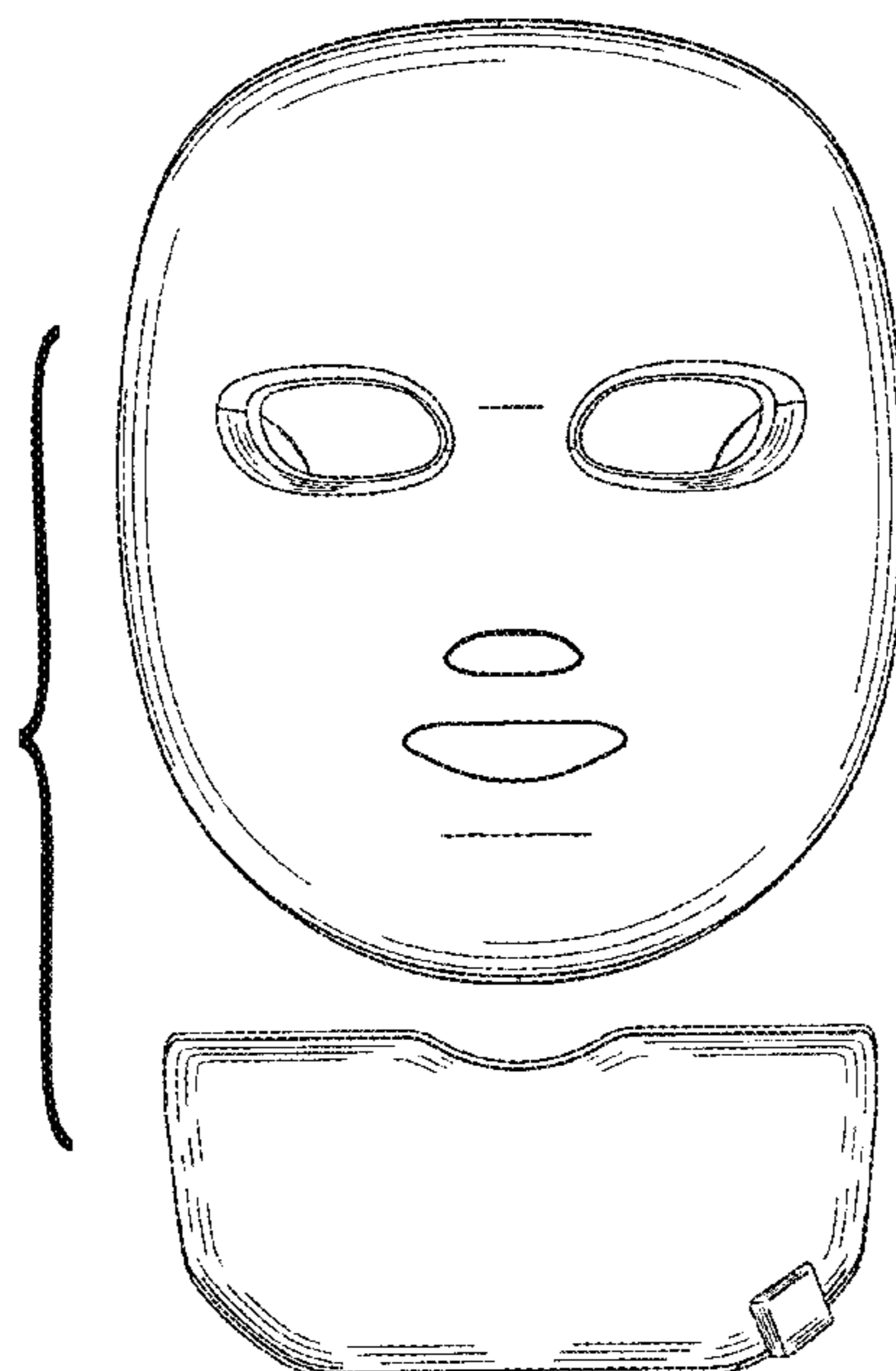
(57) **CLAIM**

The ornamental design for a cosmetic mask tool assembly, as shown and described.

DESCRIPTION

FIG. 1 is a front elevational view of a cosmetic mask tool assembly showing my new design;
 FIG. 2 is a rear elevational view thereof;
 FIG. 3 is a left side elevational view thereof;
 FIG. 4 is a right side elevational view thereof;
 FIG. 5 is a top plan view thereof;
 FIG. 6 is a bottom plan view thereof;
 FIG. 7 is a front perspective view thereof;
 FIG. 8 is a rear perspective view thereof;
 FIG. 9 is another rear perspective view thereof;
 FIG. 10 is a rear perspective view thereof, in the use of state, the lower part is closed; and,
 FIG. 11 is a bottom plan view thereof, in the use of state, the lower part is closed.
 The broken lines in the drawings depict portions of the cosmetic mask tool assembly that form no part of the claimed design.

1 Claim, 11 Drawing Sheets



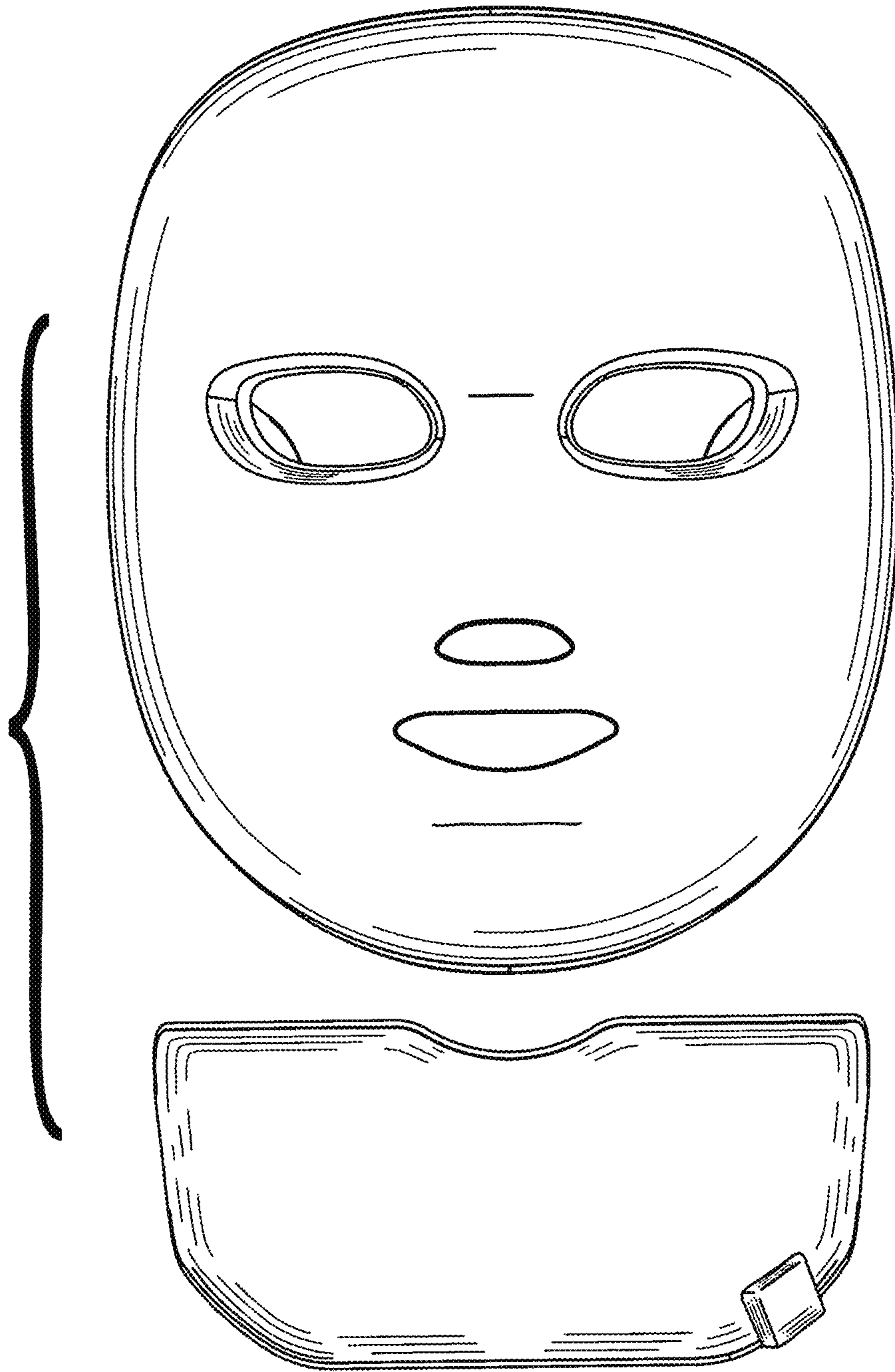


FIG.1

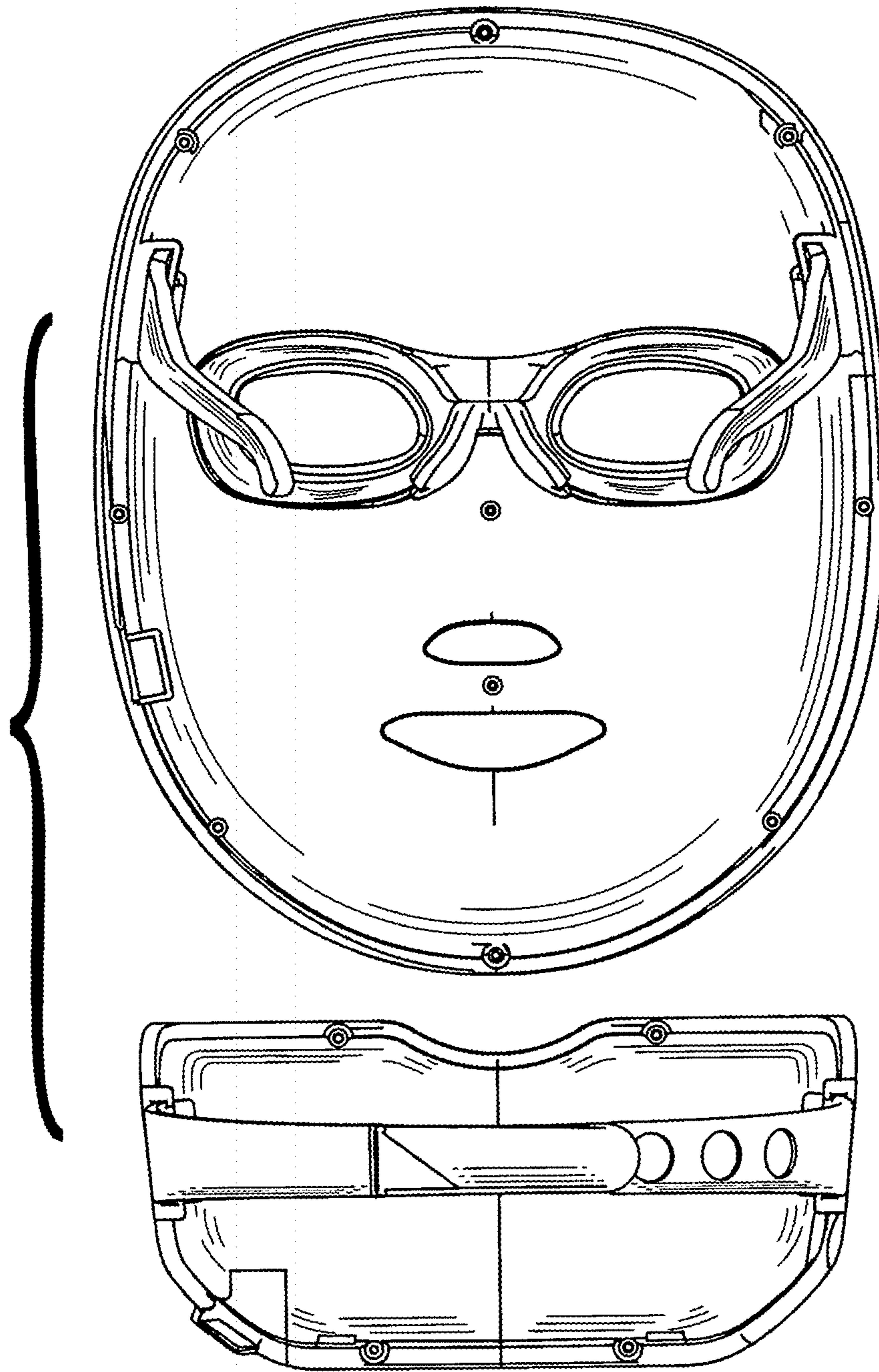


FIG.2

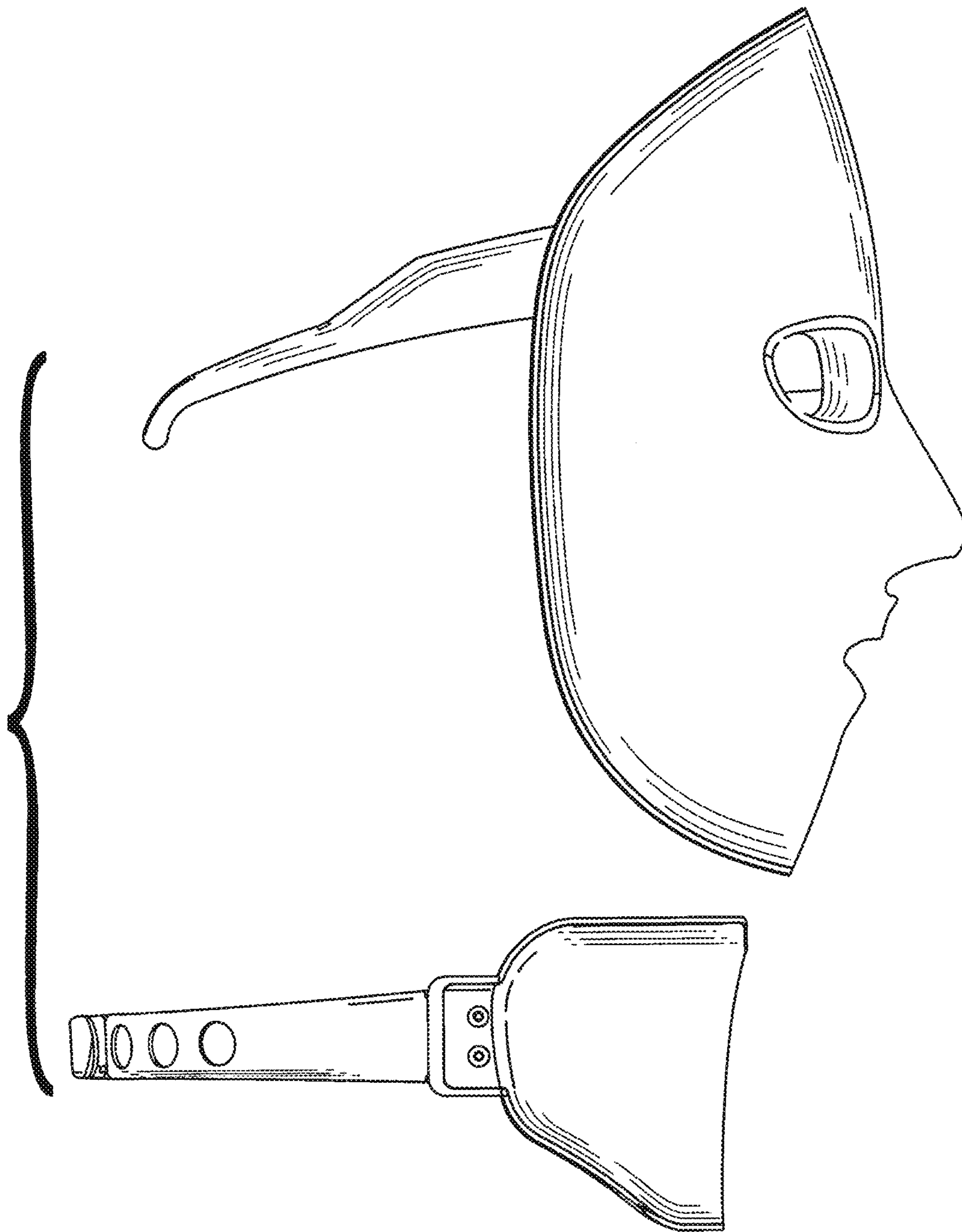


FIG.3

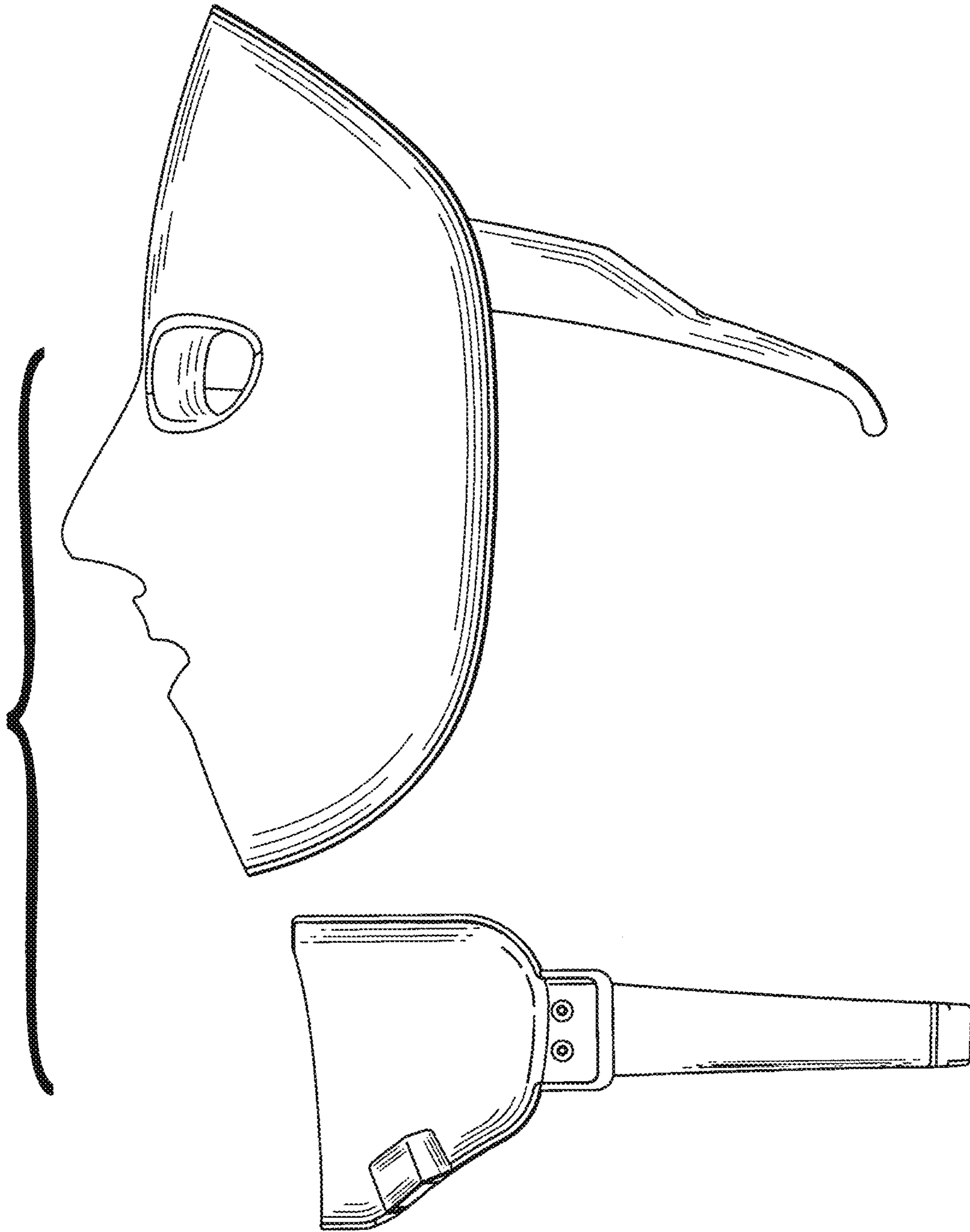


FIG.4

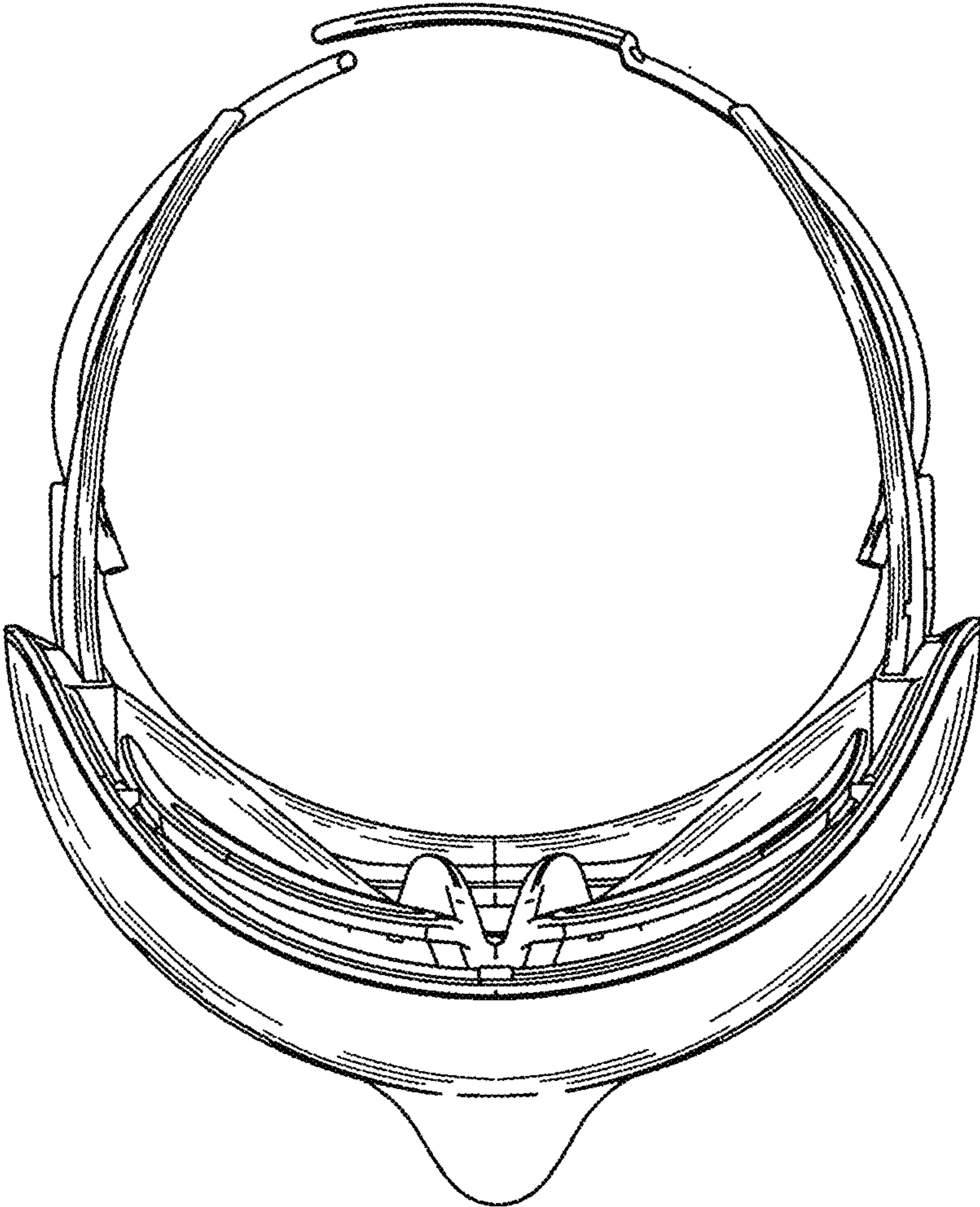


FIG.5

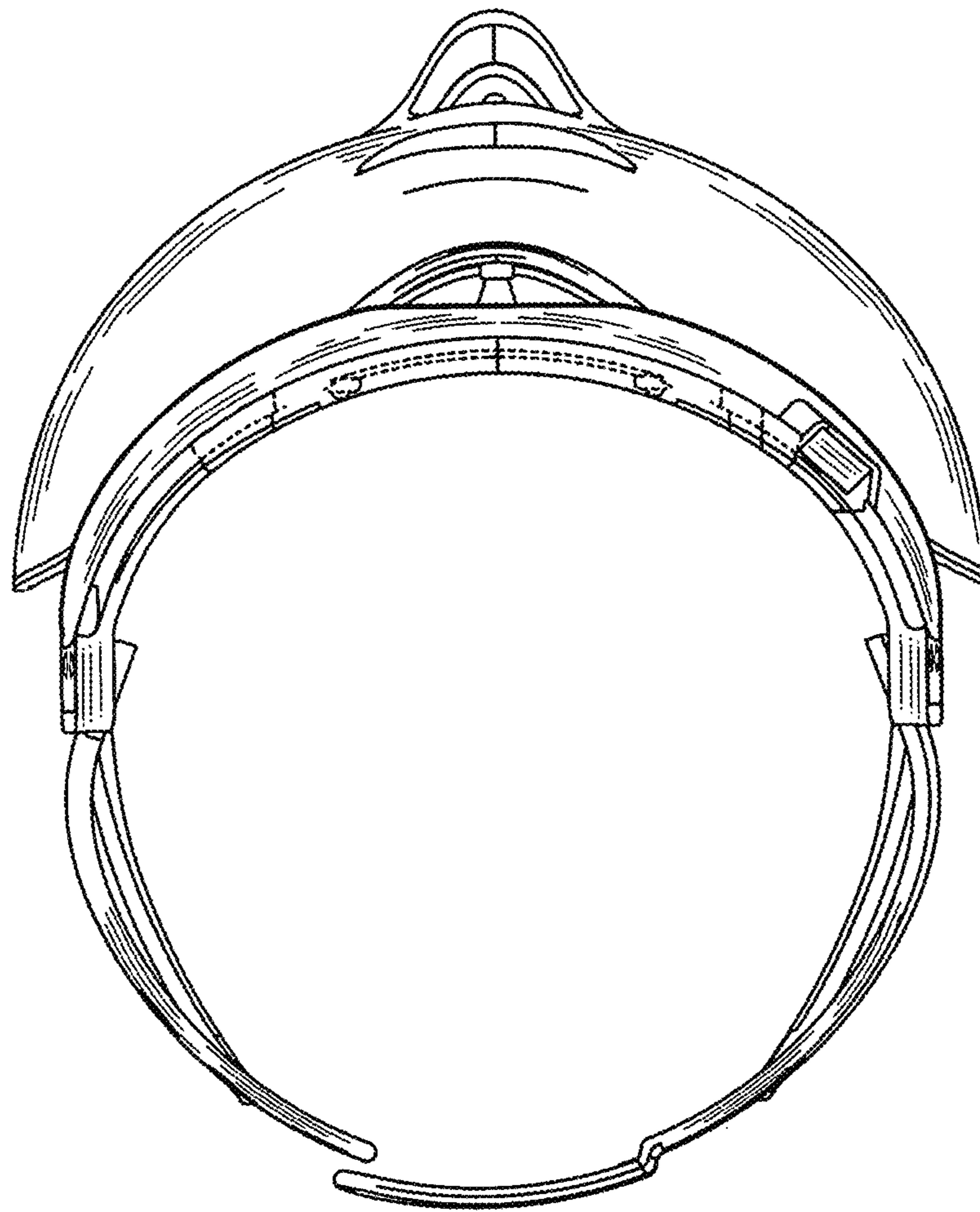


FIG.6

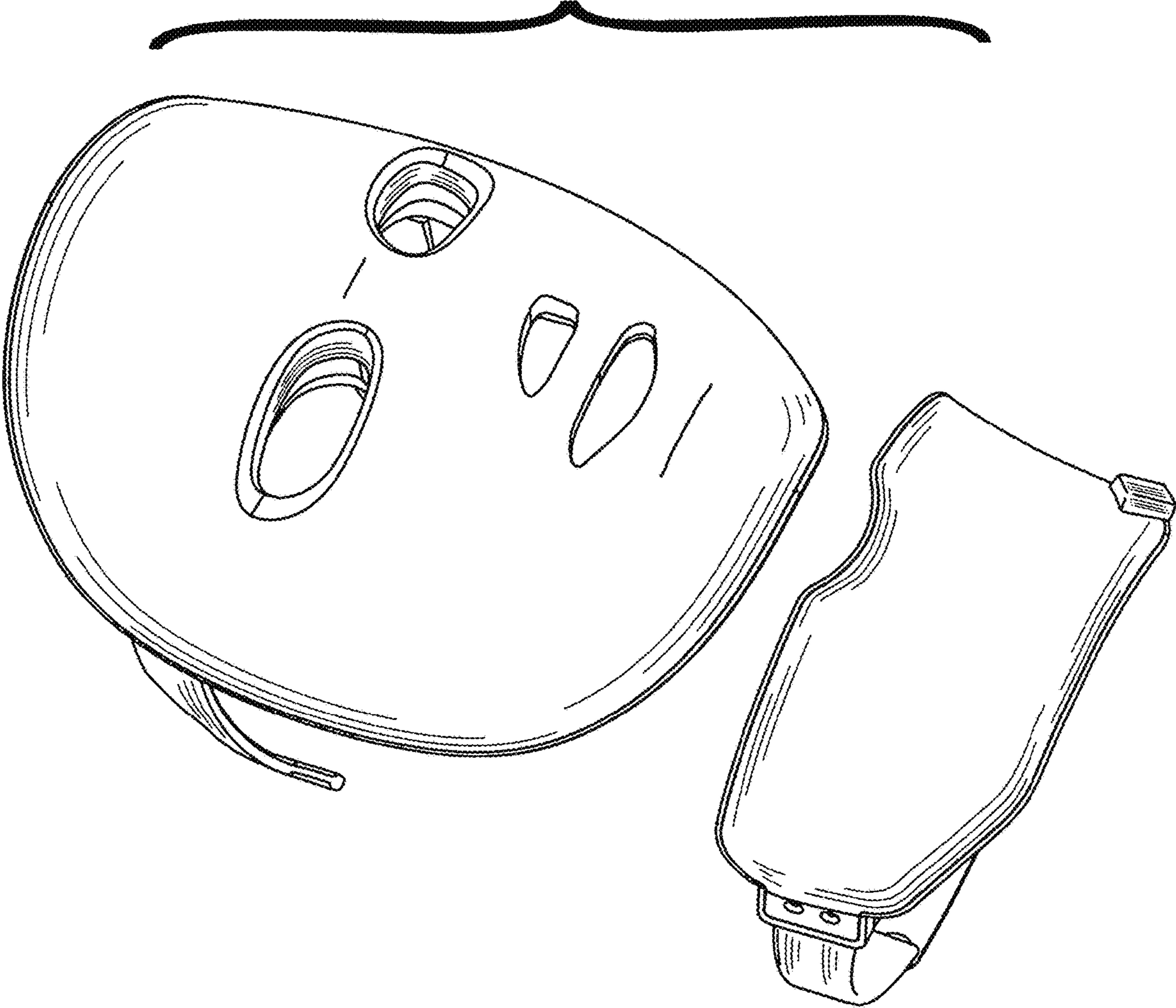


FIG. 7

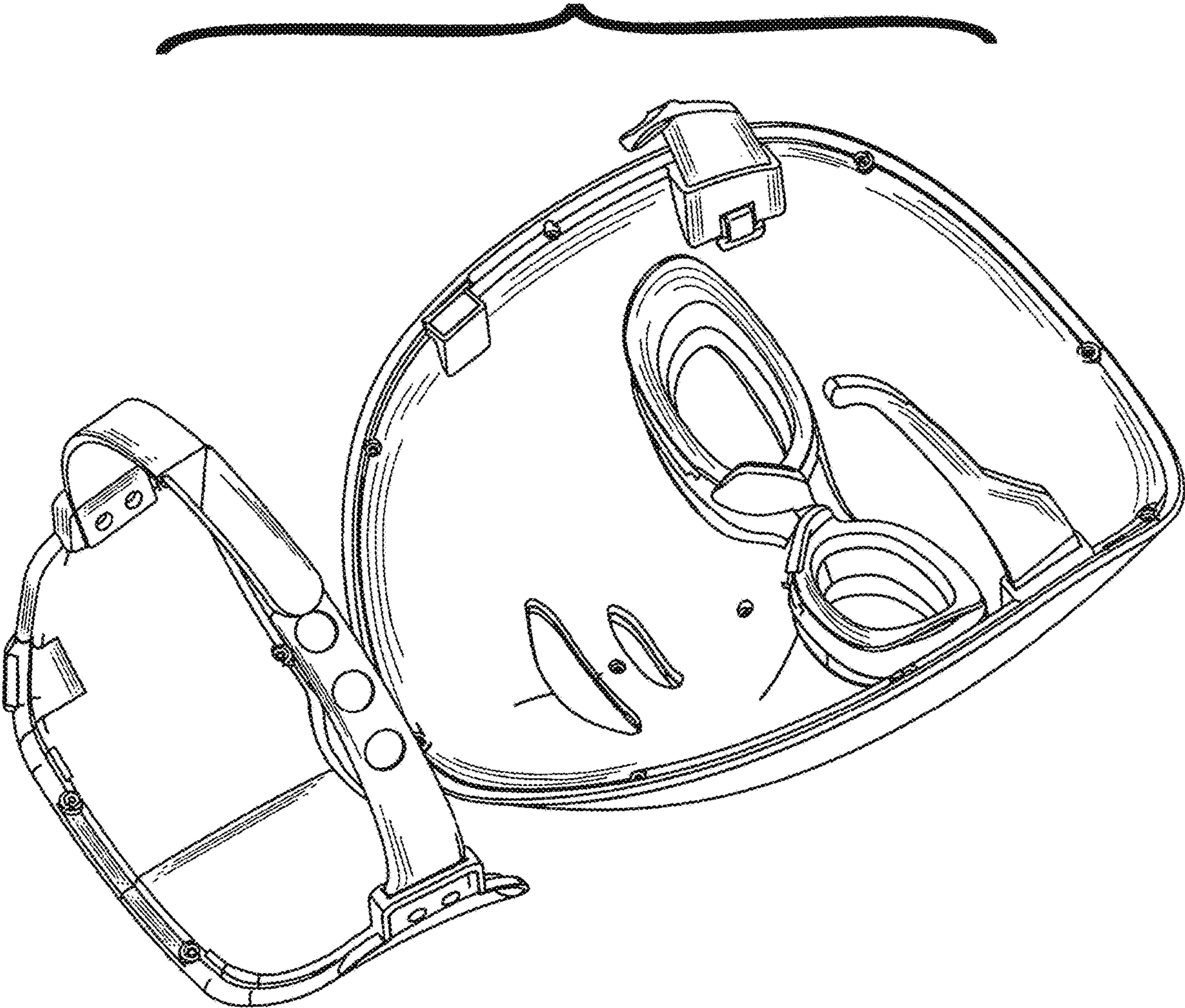


FIG. 8

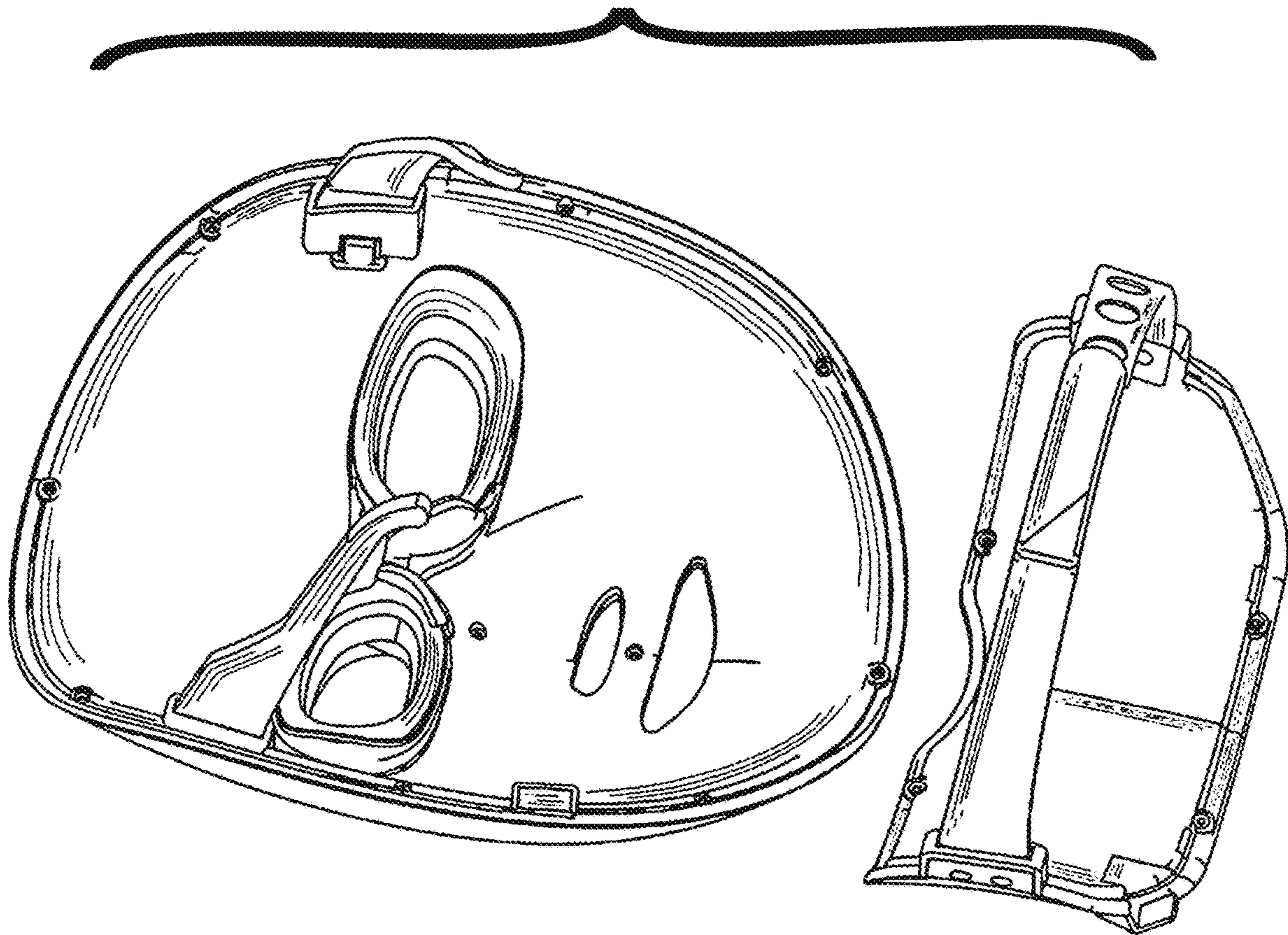


FIG. 9

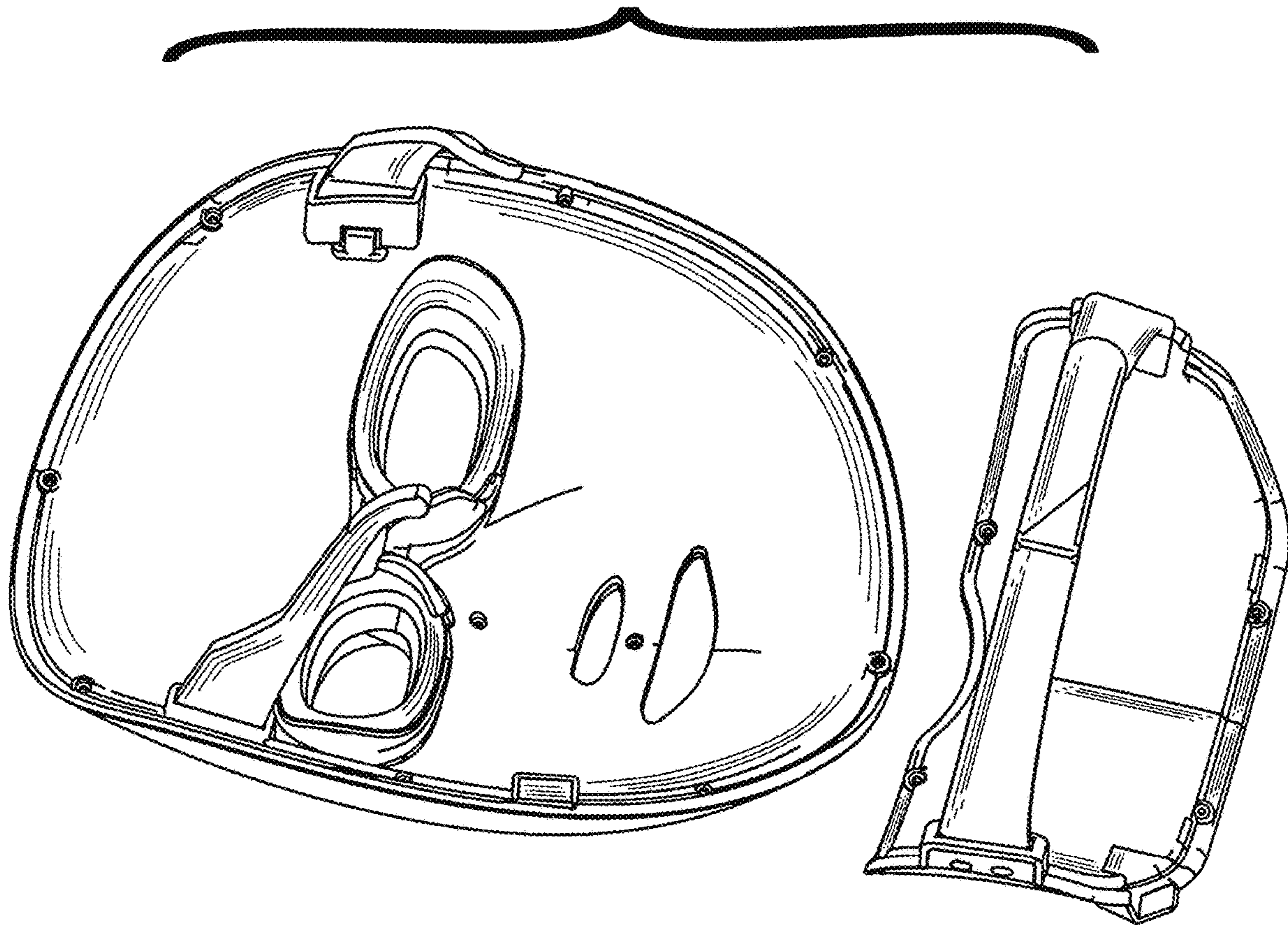


FIG. 10

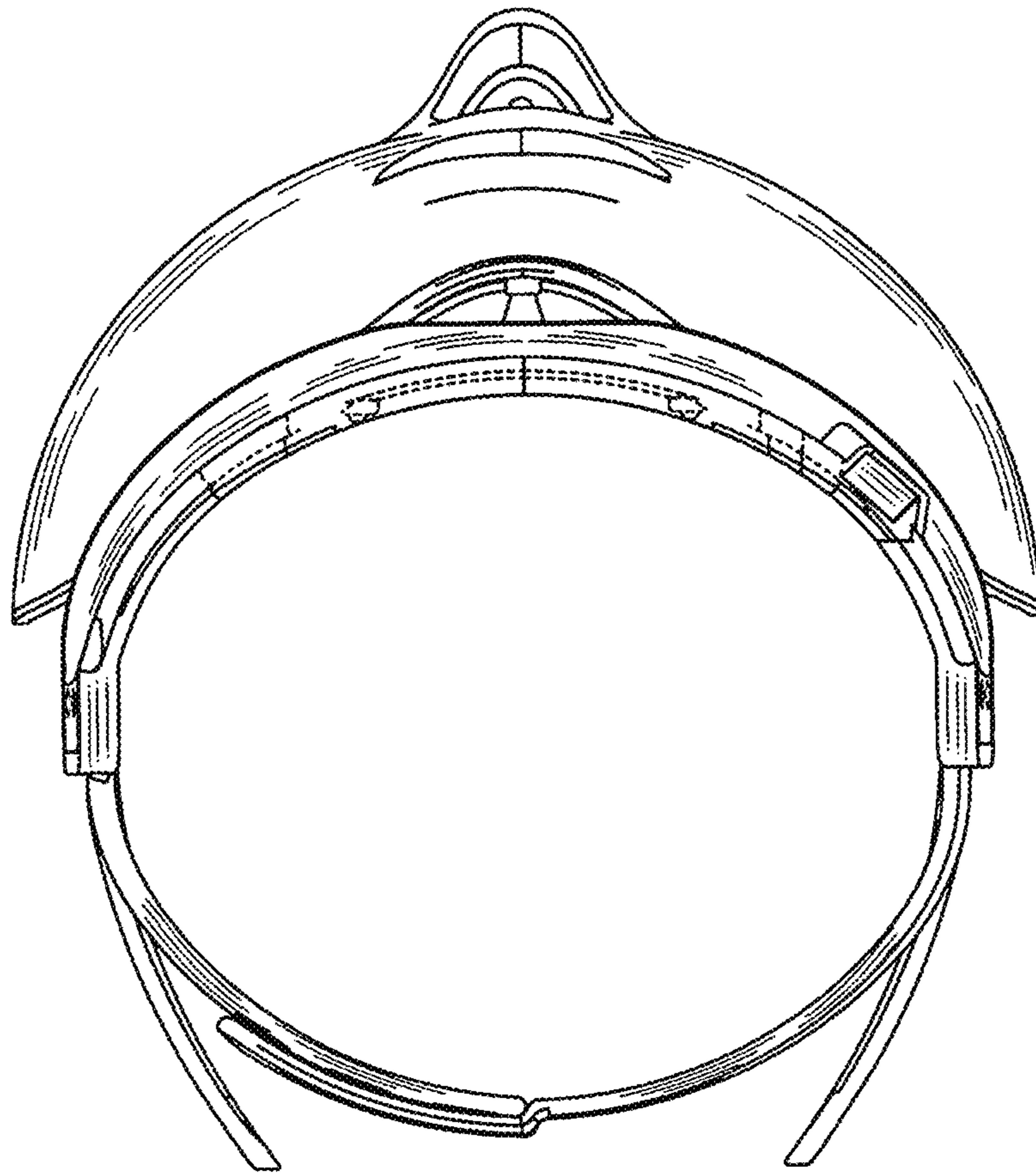


FIG. 11