



US00D884963S

(12) **United States Design Patent** (10) **Patent No.:** **US D884,963 S**
Carman et al. (45) **Date of Patent:** **** May 19, 2020**

(54) **APPLICATOR**

(71) Applicant: **Plateau Ridge, LLC**, Issaquah, WA (US)

(72) Inventors: **Joel David Carman**, Snoqualmie, WA (US); **Michael John Garbooshian**, Issaquah, WA (US); **Todd Daniel Schulte**, Sammamish, WA (US)

(73) Assignee: **Plateau Ridge, LLC**, Issaquah, WA (US)

(**) Term: **15 Years**

(21) Appl. No.: **29/639,608**

(22) Filed: **Mar. 7, 2018**

(51) **LOC (12) Cl.** **28-02**

(52) **U.S. Cl.**
USPC **D28/7**

(58) **Field of Classification Search**
USPC D28/7, 10, 21, 24, 25, 30, 31, 57, 58;
D4/100, 114, 134; 132/219, 112, 113,
132/114, 115, 119, 120, 148, 152, 160
CPC .. A45D 40/262; A45D 40/00; A45D 2200/10;
A45D 2200/1046; A45D 2200/106; A46B
9/02

See application file for complete search history.

(56) **References Cited**

U.S. PATENT DOCUMENTS

D253,972 S *	1/1980	Haselrig	D28/25
D371,004 S *	6/1996	Peischl	D28/7
D428,525 S *	7/2000	Gazzo	D28/7
D463,669 S *	10/2002	Chih	D4/115
6,539,949 B2	4/2003	Christensen		
D485,075 S	1/2004	Hutchinson		
D490,564 S *	5/2004	Colacioppo	A45D 19/02
				D28/25
D536,129 S *	1/2007	Davis	D28/7

D573,755 S *	7/2008	Rennette	D28/31
D602,633 S *	10/2009	Spagnuolo	D28/7
D625,472 S	10/2010	Matz et al.		
D643,151 S *	8/2011	Limongi	D28/7
D646,018 S *	9/2011	Anderson	D28/7
8,057,445 B2	11/2011	Hurwitz		
D696,519 S *	12/2013	Schouten	D4/134
D701,648 S *	3/2014	Yiu	D24/133
D702,563 S	4/2014	Hartman et al.		
D706,977 S *	6/2014	Langley	D28/7
D715,061 S *	10/2014	Schouten	D4/133
D725,485 S	3/2015	Hartman et al.		
D725,486 S	3/2015	Hartman et al.		
D792,710 S *	7/2017	McDuffie	D28/25
D825,192 S *	8/2018	Duvall	A46B 5/0008
				D4/134
2007/0033758 A1 *	2/2007	Wang	A46B 17/06
				15/169
2017/0340188 A1 *	11/2017	Rylands	A47L 13/08

* cited by examiner

Primary Examiner — Marissa J Cash
Assistant Examiner — Rebecca Tsehaye
(74) *Attorney, Agent, or Firm* — Hamre, Schumann, Mueller & Larson, P.C.

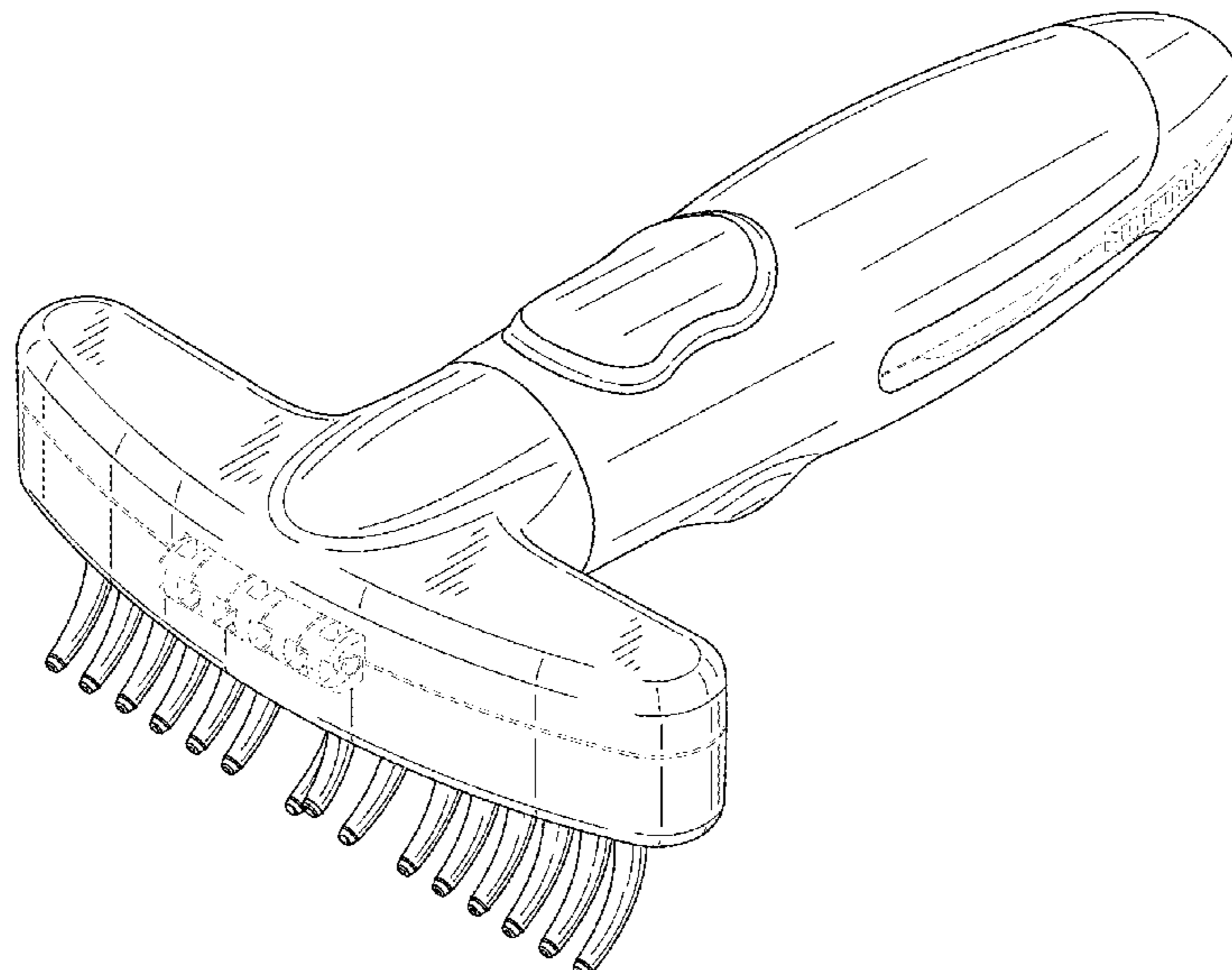
(57) **CLAIM**

The ornamental design for an applicator, as shown and described.

DESCRIPTION

FIG. 1 is a perspective view of an applicator showing my new design.
FIG. 2 is a front view of FIG. 1 thereof.
FIG. 3 is a back view of FIG. 1 thereof.
FIG. 4 is a right side view of FIG. 1 thereof.
FIG. 5 is a left side view of FIG. 1 thereof.
FIG. 6 is a top view of FIG. 1 thereof; and,
FIG. 7 is a bottom view of FIG. 1 thereof.
The features shown in broken lines depict environmental subject matter only and form no part of the claimed design.

1 Claim, 7 Drawing Sheets



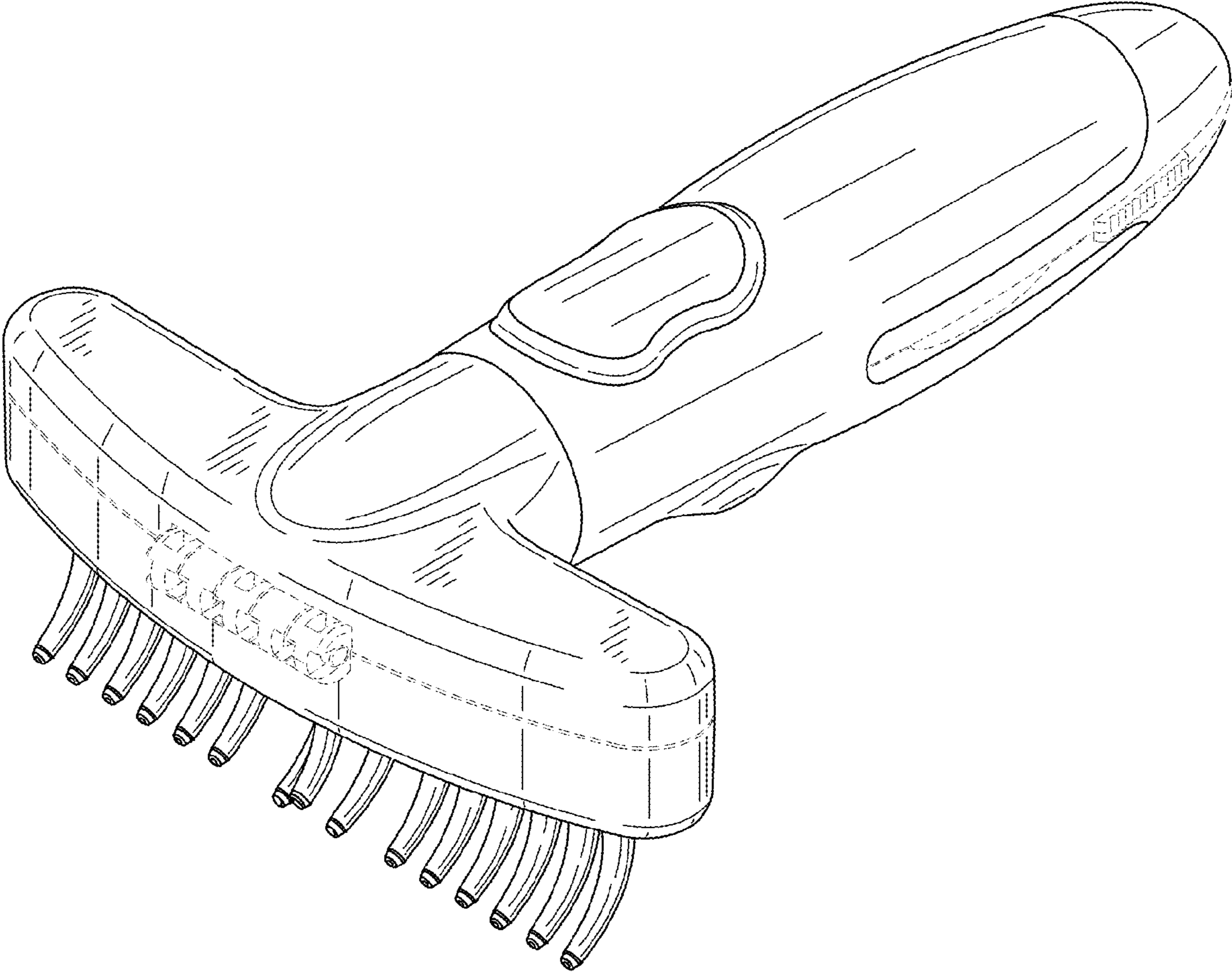


Fig. 1

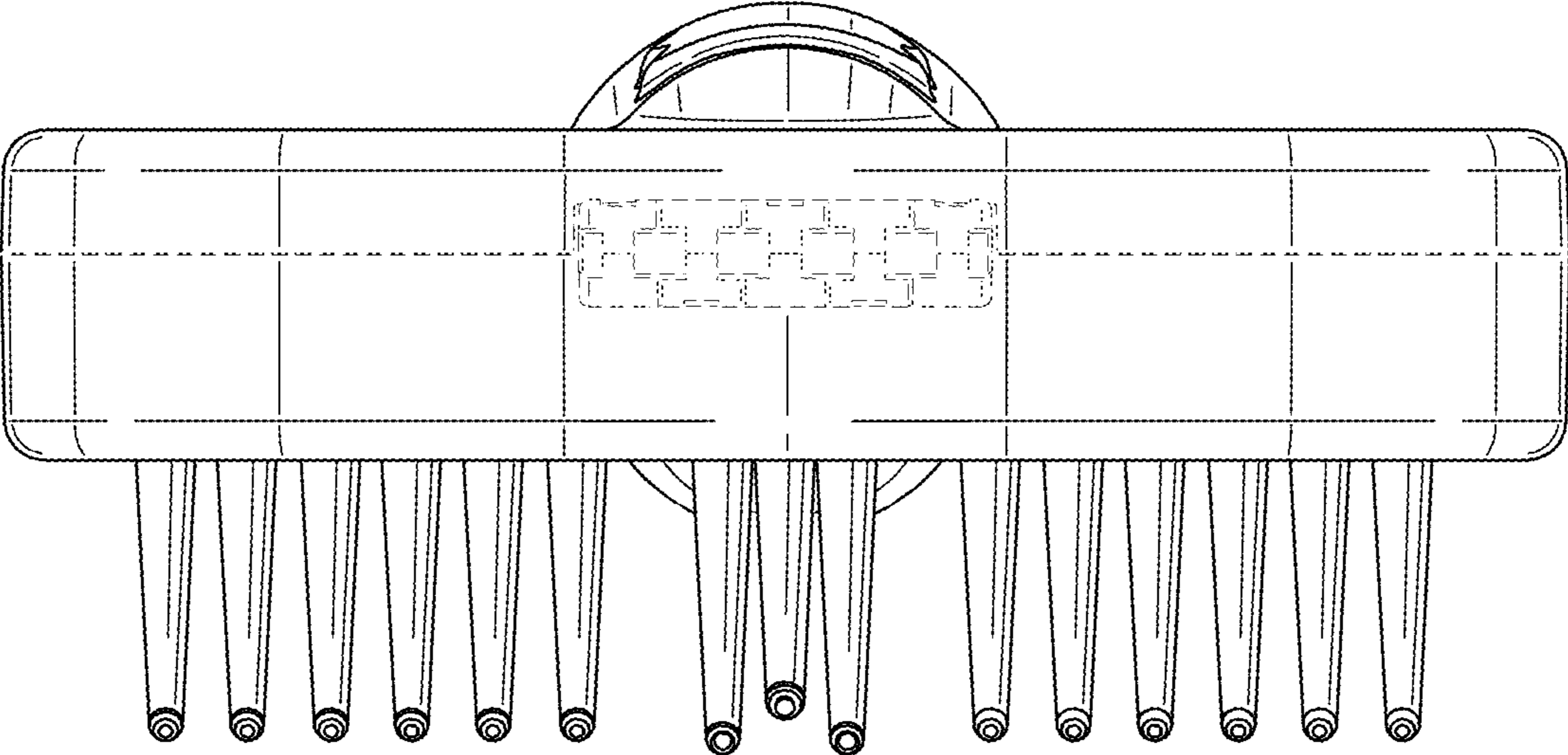


Fig. 2

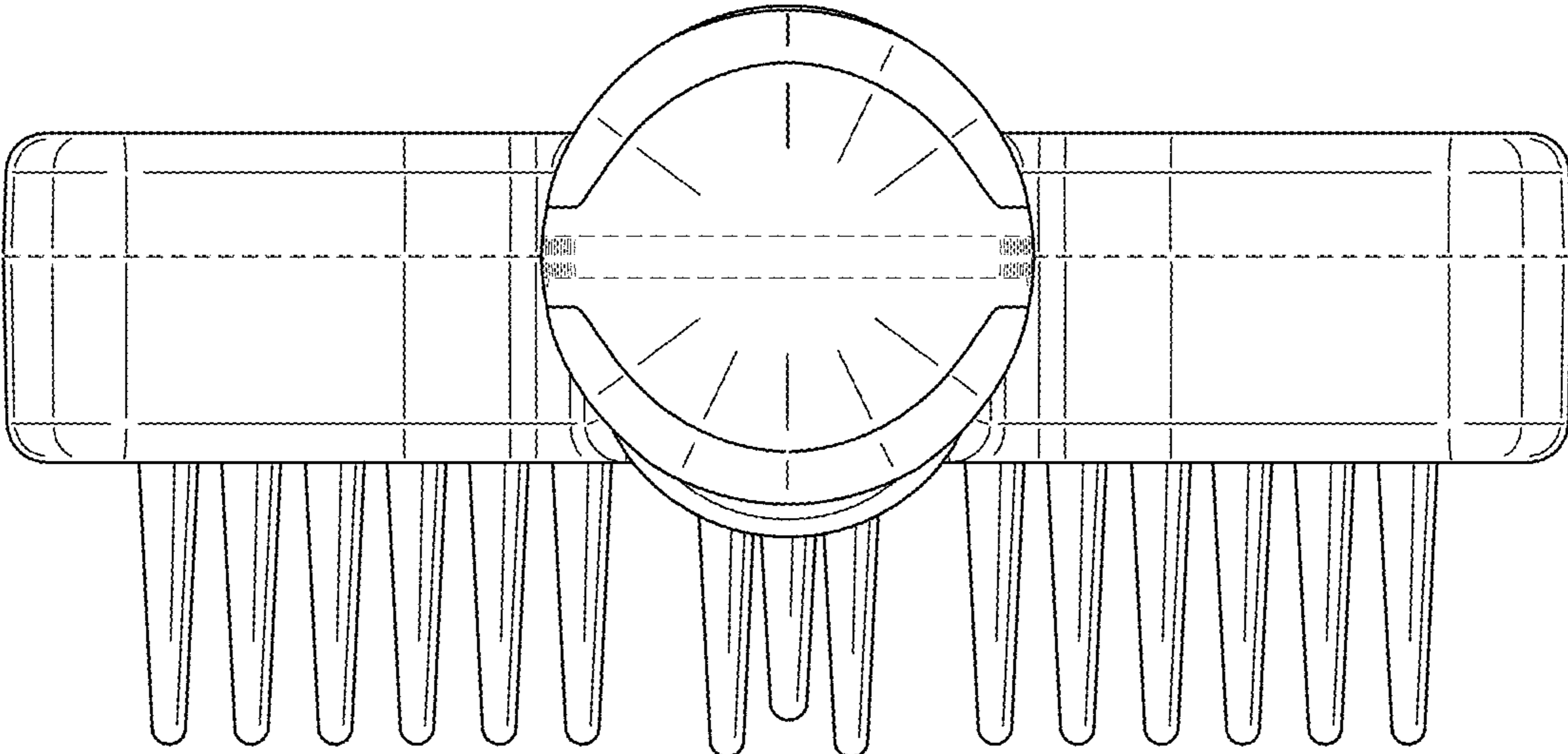


Fig. 3

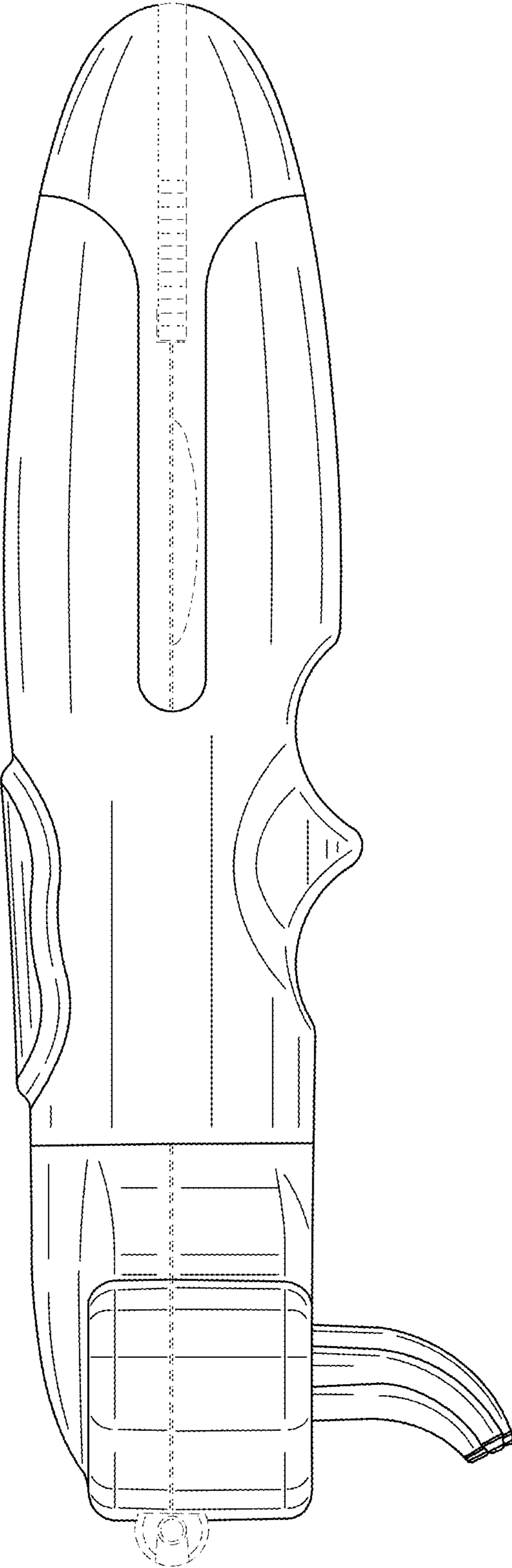


Fig. 4

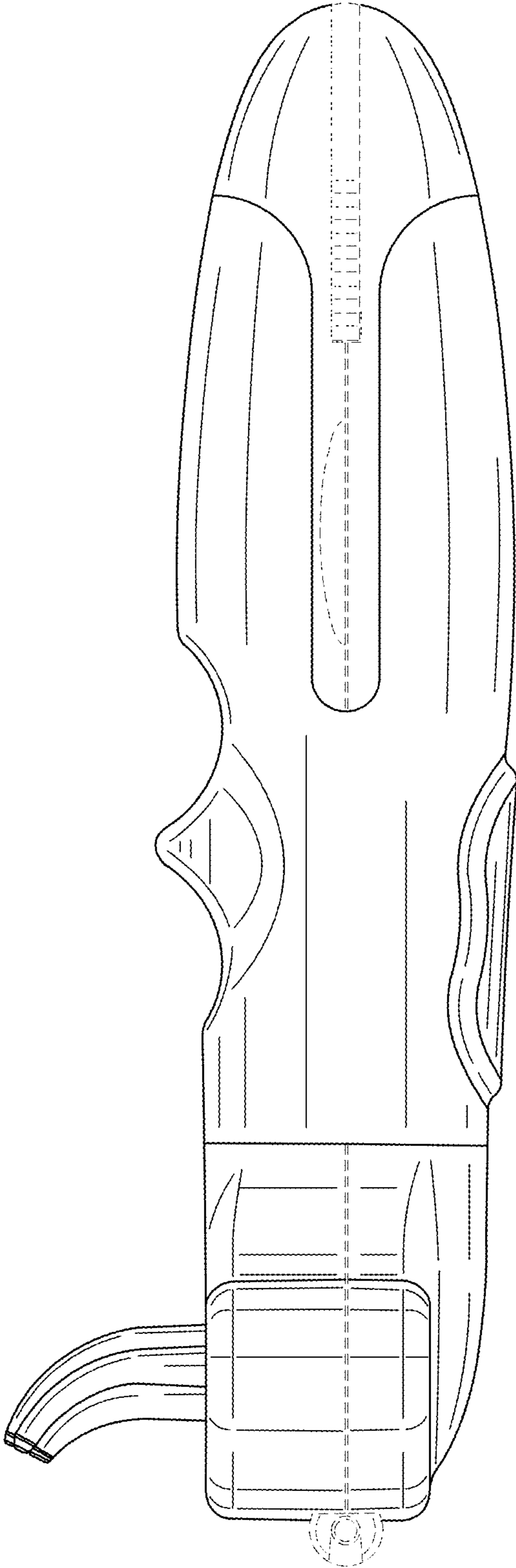


Fig. 5

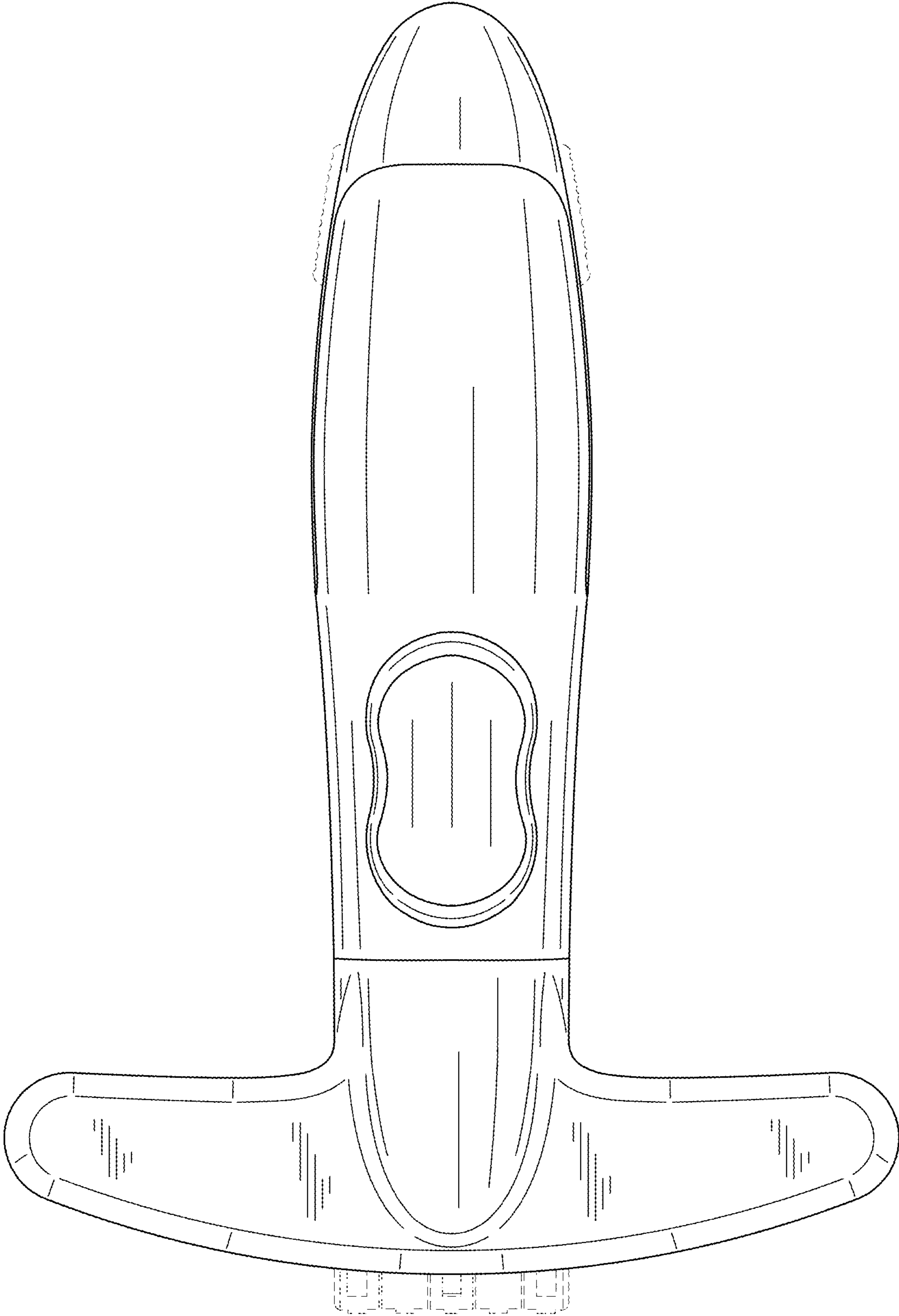


Fig. 6

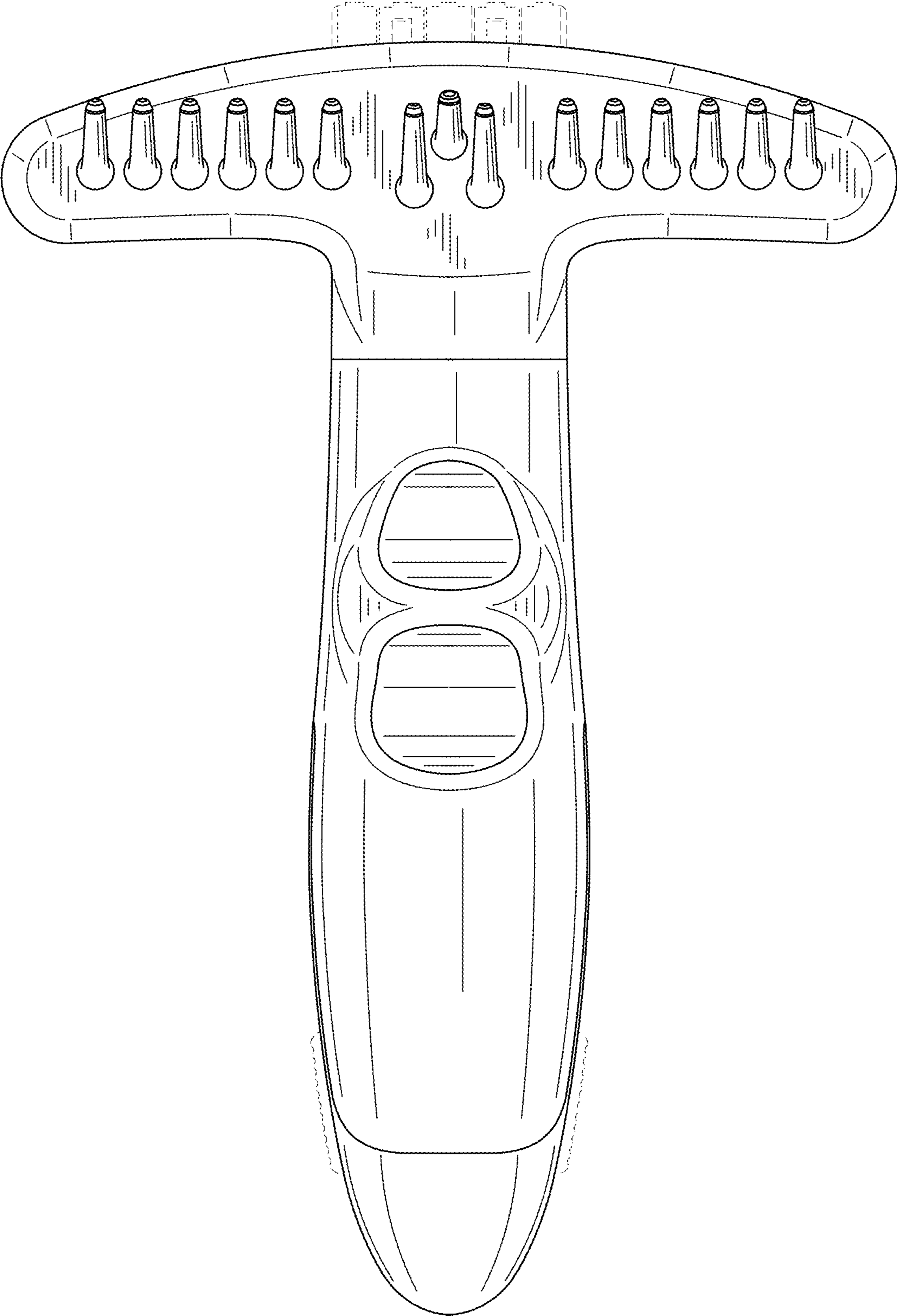


Fig. 7