



US00D884962S

(12) **United States Design Patent** (10) **Patent No.:** **US D884,962 S**
Masri (45) **Date of Patent:** **** May 19, 2020**

(54) **HEAT MANAGEMENT UNIT FOR A HOOKAH**

8,464,725 B2 6/2013 Badawi
8,490,630 B2 7/2013 Boutros et al.
8,590,541 B2 11/2013 Mehio
8,757,170 B2 6/2014 Kaplani
8,763,799 B2 7/2014 Haidar

(71) Applicant: **Starbuzz Tobacco, Inc.**, Garden Grove, CA (US)

(Continued)

(72) Inventor: **Rodney Masri**, Statesboro, GA (US)

Primary Examiner — Marissa J Cash

(73) Assignee: **Starbuzz Tobacco, Inc.**, Garden Grove, CA (US)

(74) *Attorney, Agent, or Firm* — Klein, O'Neill & Singh, LLP

(**) Term: **15 Years**

(57) **CLAIM**

(21) Appl. No.: **29/701,319**

The ornamental design for a heat management unit for a hookah, as shown and described.

(22) Filed: **Aug. 9, 2019**

DESCRIPTION

Related U.S. Application Data

(62) Division of application No. 29/636,018, filed on Feb. 5, 2018, now Pat. No. Des. 861,977.

(51) **LOC (12) Cl.** **27-07**

(52) **U.S. Cl.**
USPC **D27/167**

(58) **Field of Classification Search**
USPC D27/100, 101, 139-194; D23/202;
D13/118, 119; D19/115, 116, 162, 163,
D19/164; D7/300; D9/444, 445;
D11/26

CPC A24F 47/008; A24F 47/002; A24F 15/18;
A24F 47/00

See application file for complete search history.

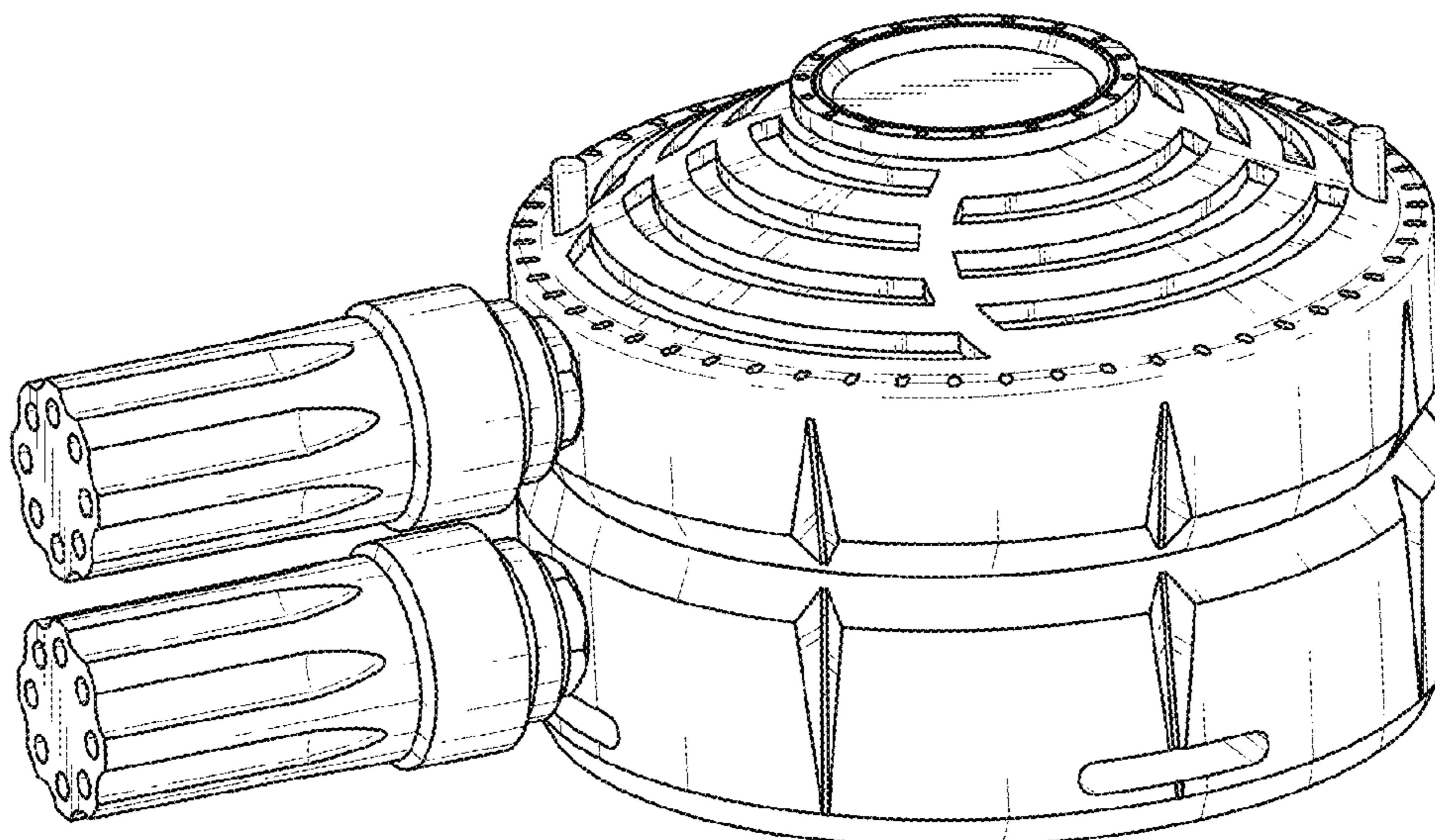
FIG. 1 is a perspective view of an embodiment of a heat management unit for a hookah embodying the new design; FIG. 2 is a perspective view thereof, but viewed from another angle; FIG. 3 is a bottom perspective view thereof; FIG. 4 is a top plan view thereof; FIG. 5 is a bottom plan view thereof; FIG. 6 is a left side elevation view thereof; FIG. 7 is a right side elevation view thereof; FIG. 8 is a rear elevation view thereof; FIG. 9 is a front elevation view thereof; FIG. 10 is a perspective view of a second embodiment of a heat management unit for a hookah embodying the new design; FIG. 11 is a perspective view thereof, but viewed from another angle; FIG. 12 is a bottom perspective view thereof; FIG. 13 is a top plan view thereof; FIG. 14 is a bottom plan view thereof; FIG. 15 is a left side elevation view thereof; FIG. 16 is a right side elevation view thereof; FIG. 17 is a rear elevation view thereof; and, FIG. 18 is a front elevation view thereof.

(56) **References Cited**

U.S. PATENT DOCUMENTS

D520,180 S * 5/2006 Chen D11/72
7,287,530 B1 10/2007 Stuart
7,798,152 B1 9/2010 Tannous
7,827,995 B2 11/2010 Chaoui
D672,084 S * 12/2012 Ducey D27/137
D677,427 S * 3/2013 Ross D27/167
8,459,269 B2 6/2013 Zoumut

1 Claim, 10 Drawing Sheets



(56)

References Cited

U.S. PATENT DOCUMENTS

8,826,915	B2	9/2014	Mehio	
9,107,456	B2	8/2015	Mehio	
9,179,710	B2	11/2015	Chaoui	
9,237,770	B2	1/2016	Bavar	
9,247,772	B2	2/2016	Mehio	
9,833,018	B2	12/2017	Mehio	
9,877,517	B2	1/2018	Liu	
D814,105	S *	3/2018	Eng	D27/167
D861,977	S *	10/2019	Masri	D27/167
2007/0056599	A1	3/2007	Zoumut	
2010/0212679	A1	8/2010	Bishara	
2014/0326257	A1 *	11/2014	Jalloul	A24D 1/14 131/226

* cited by examiner

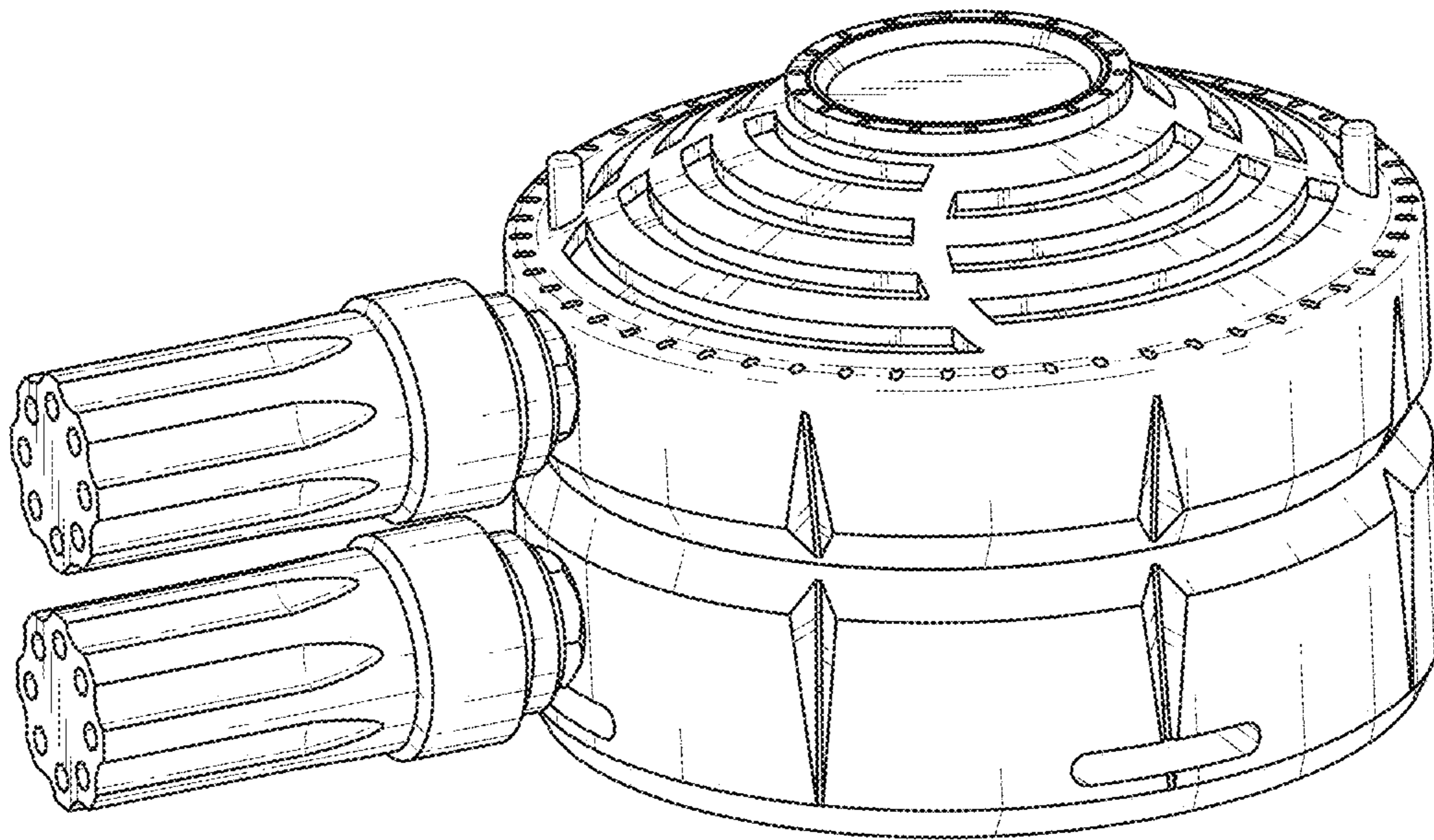


FIG. 1

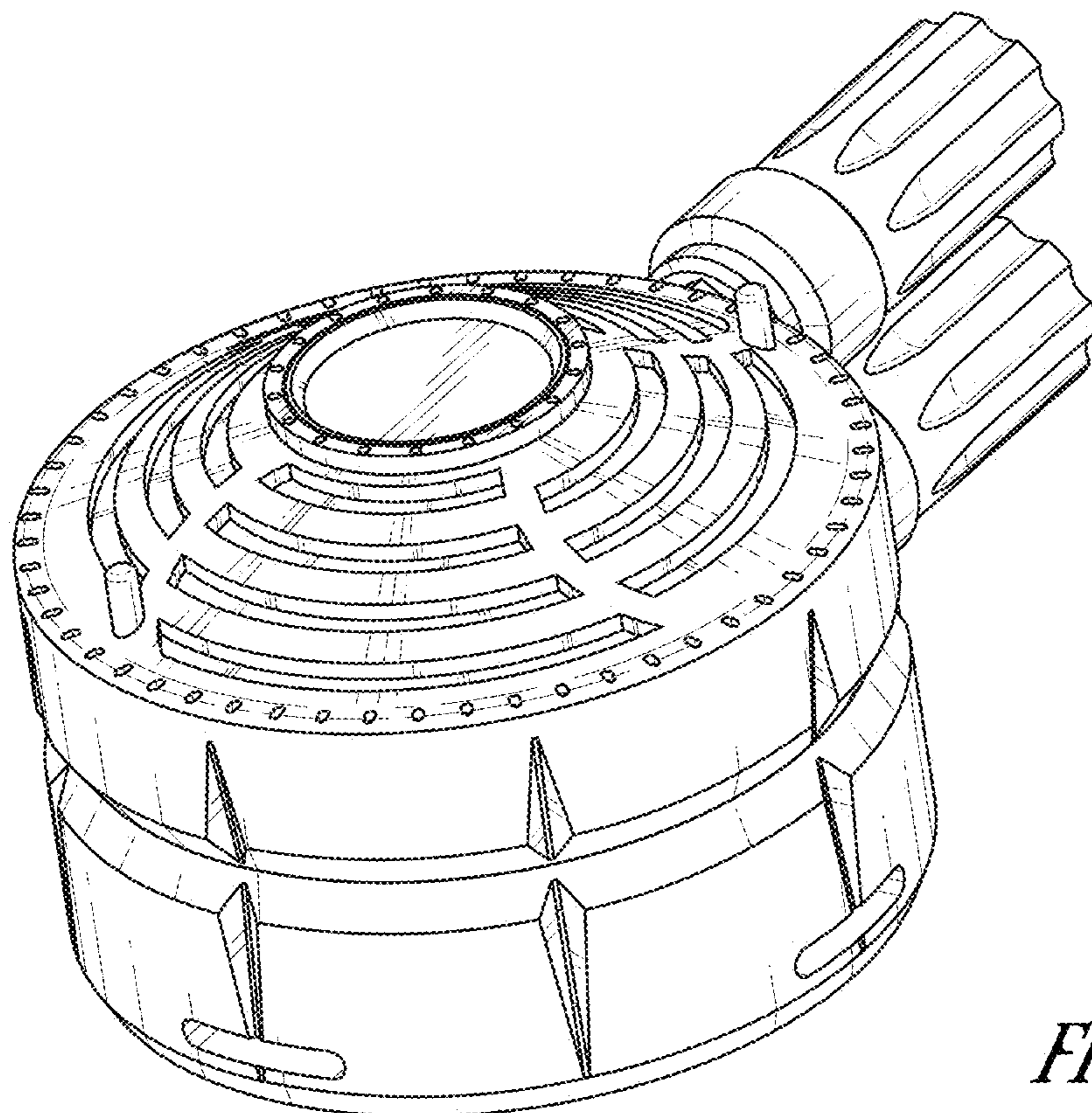


FIG. 2

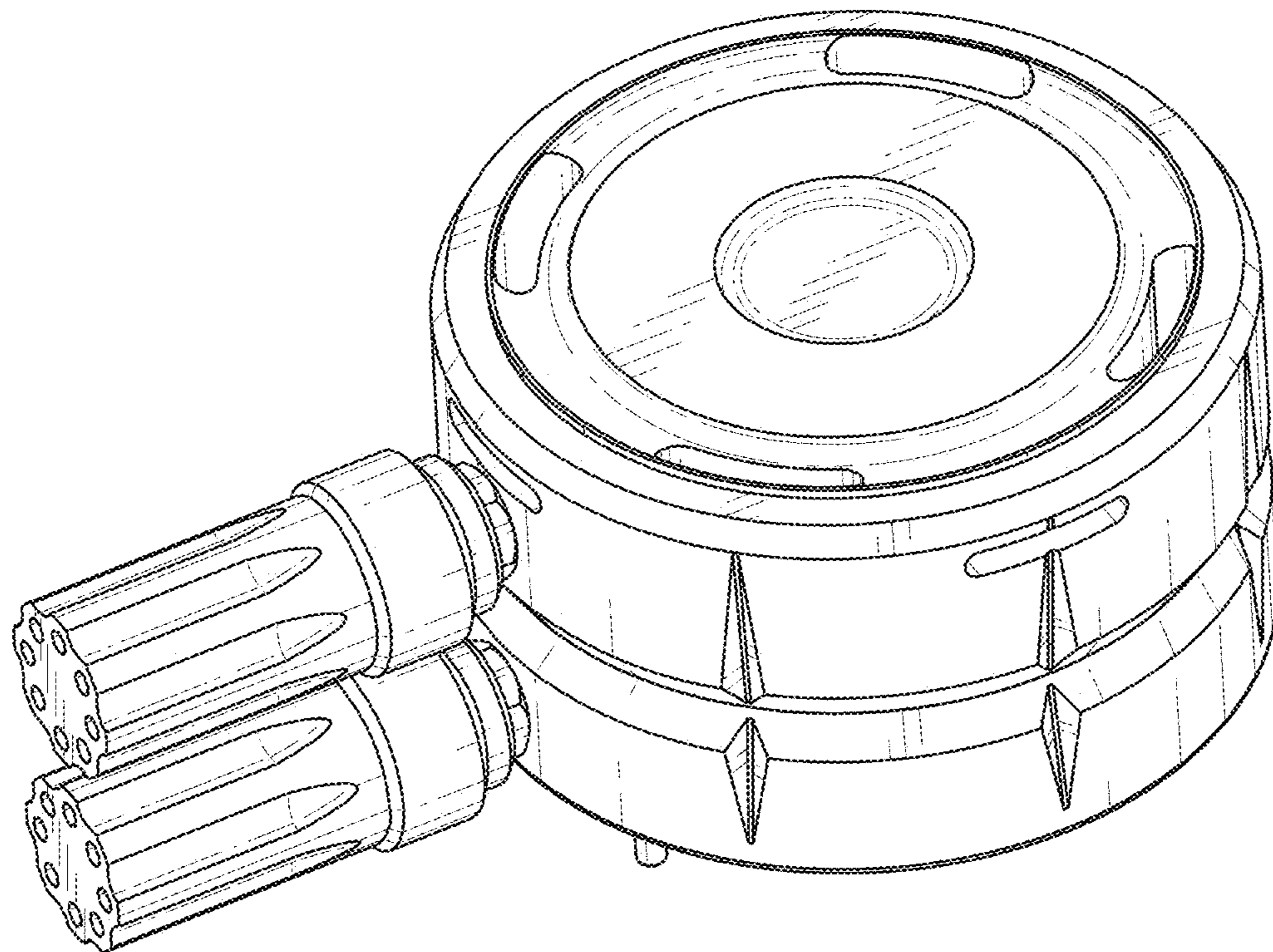


FIG. 3

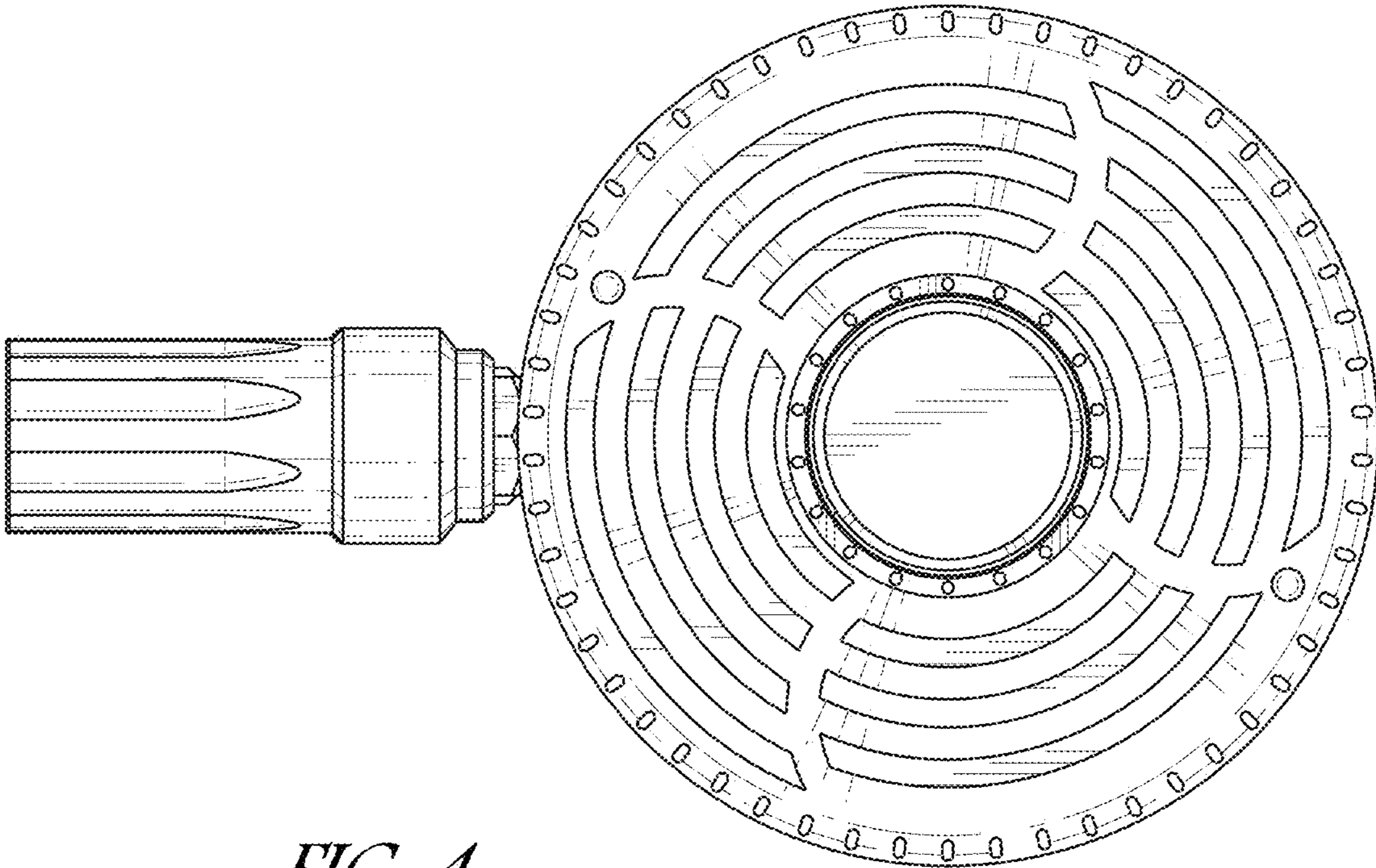


FIG. 4

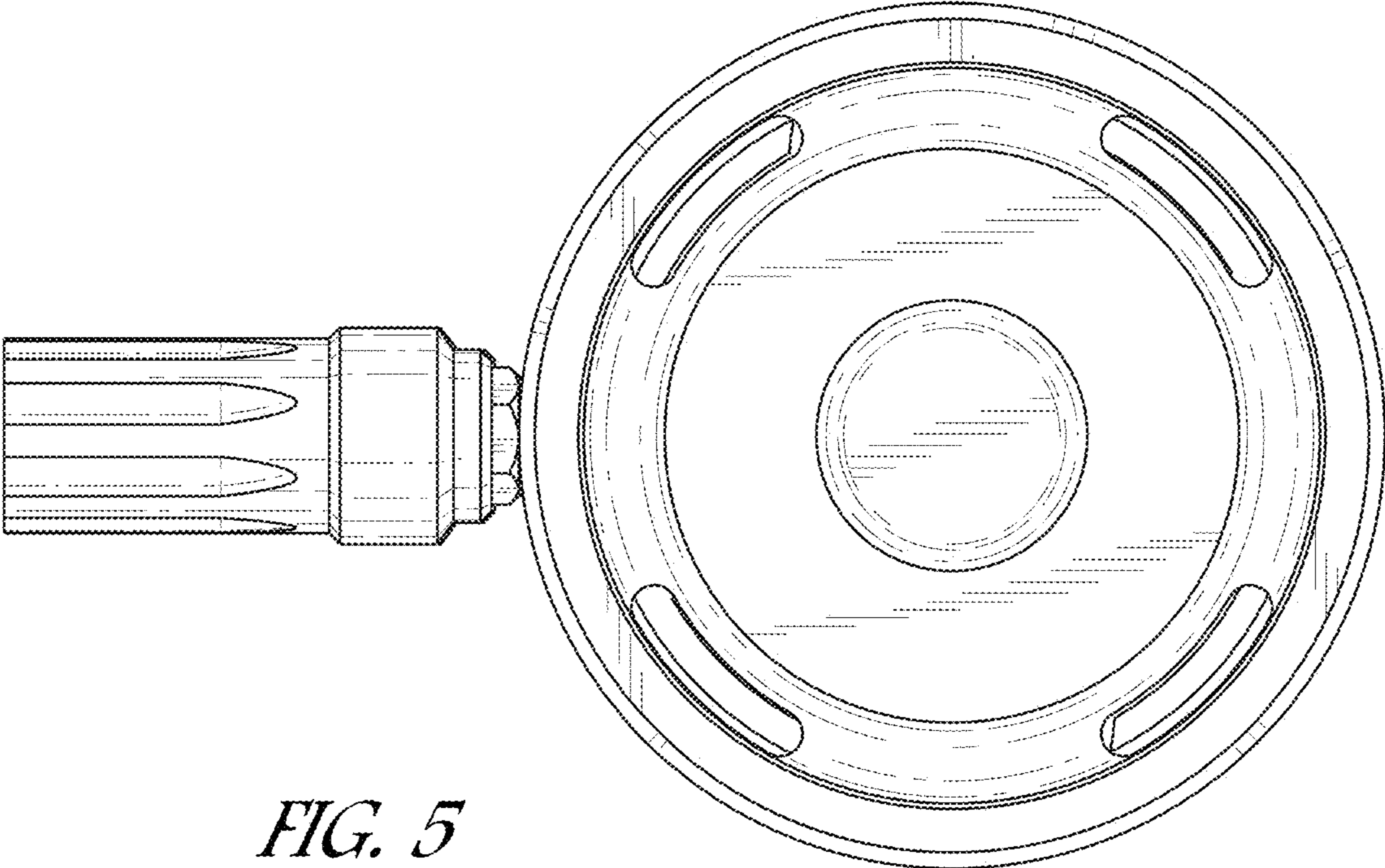


FIG. 5

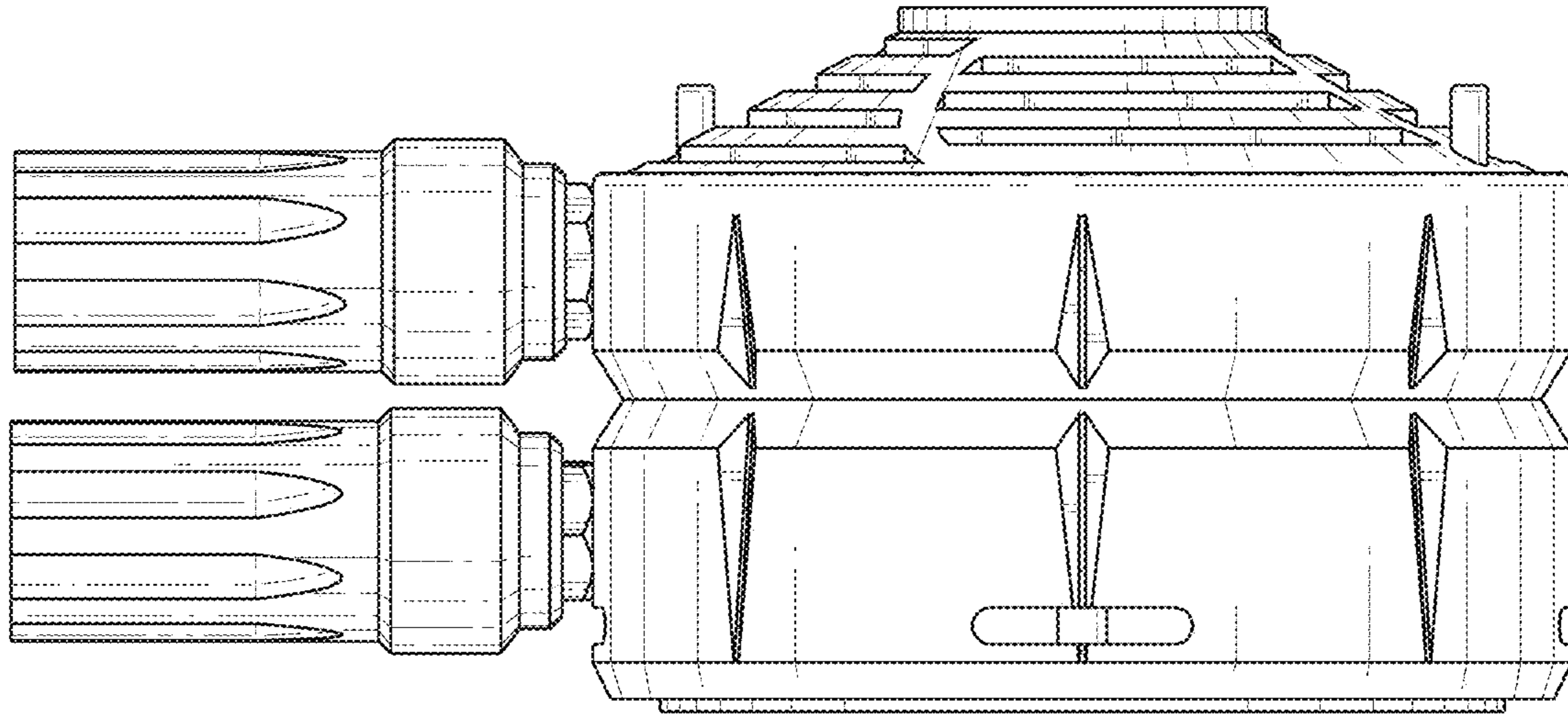


FIG. 6

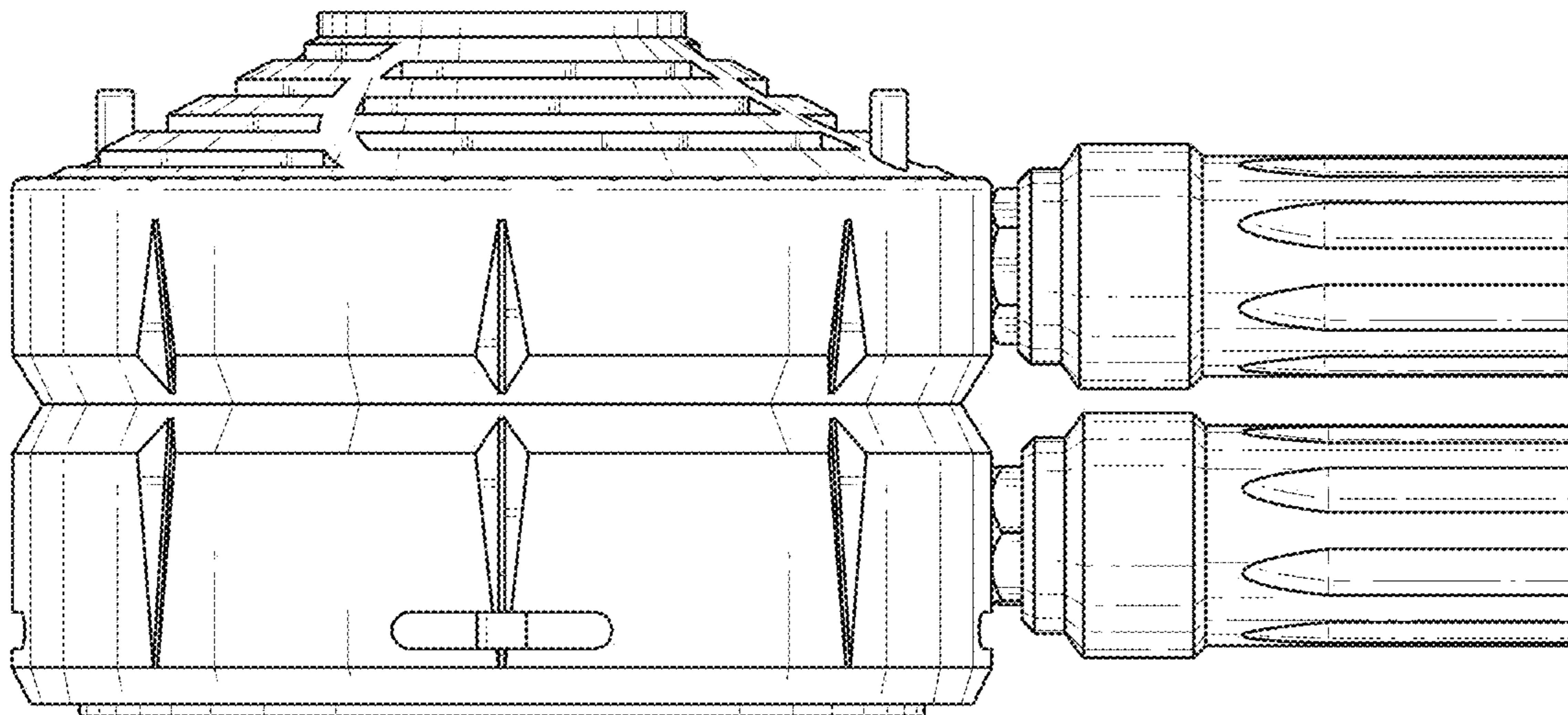


FIG. 7

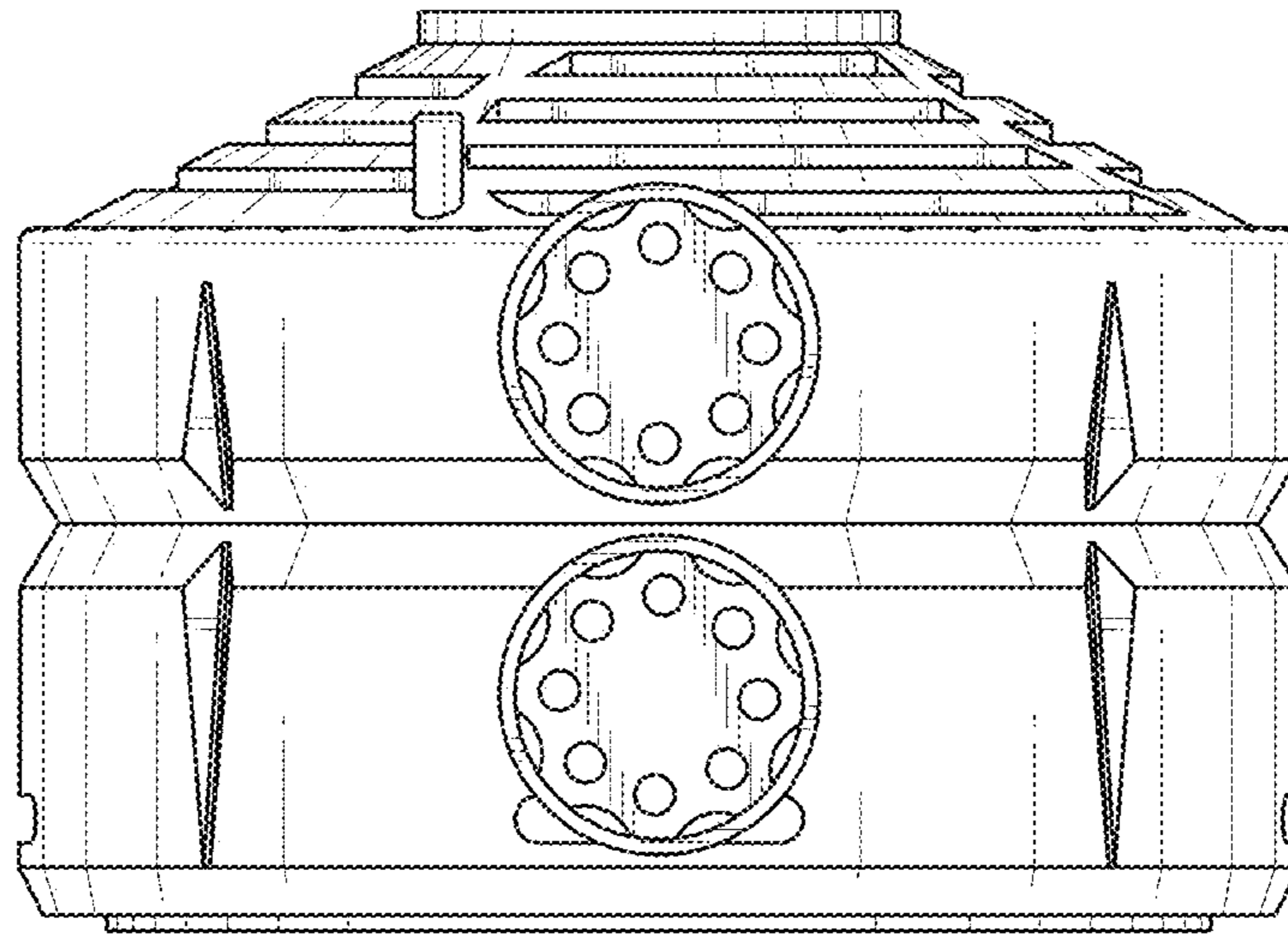


FIG. 8

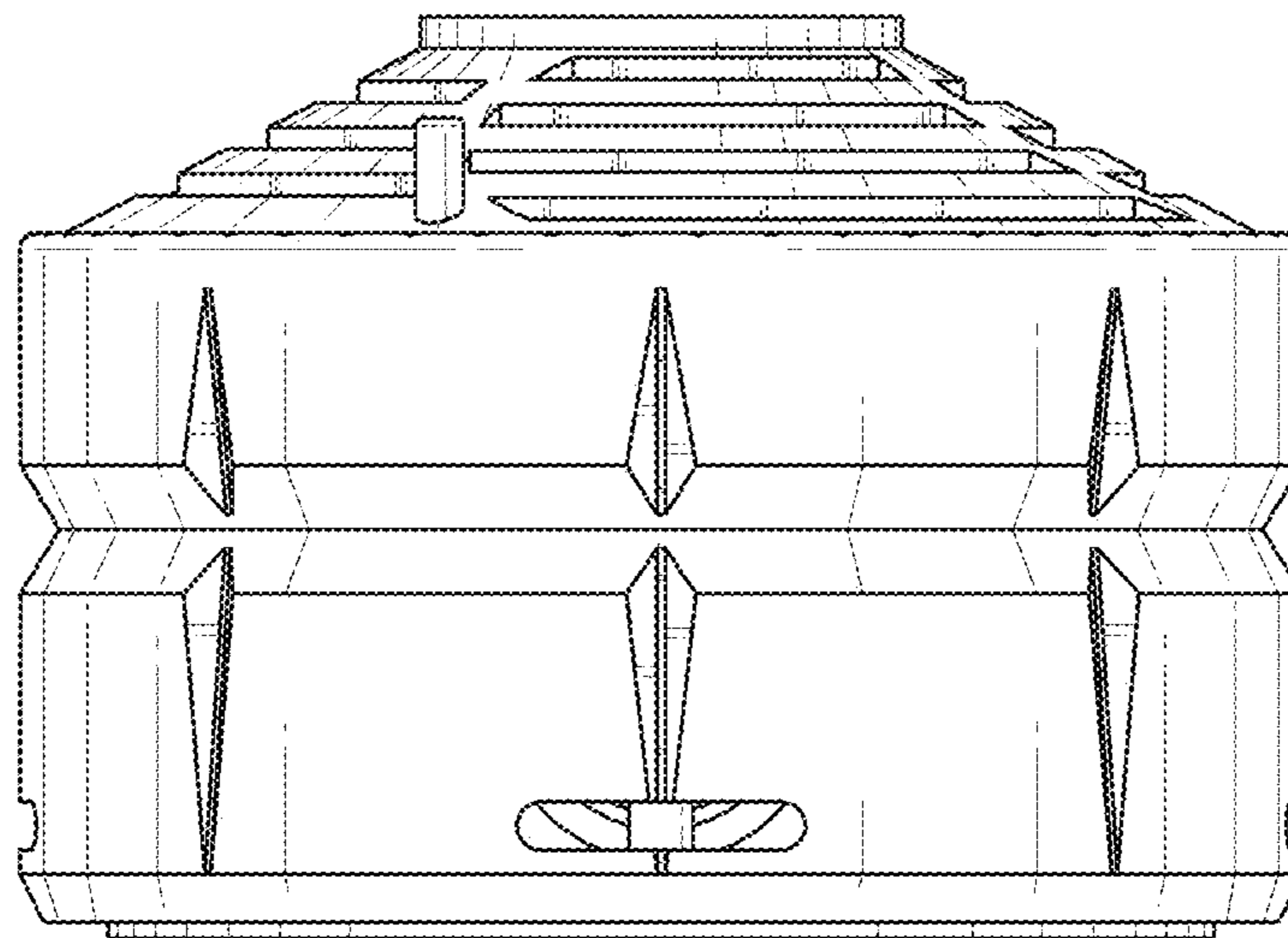


FIG. 9

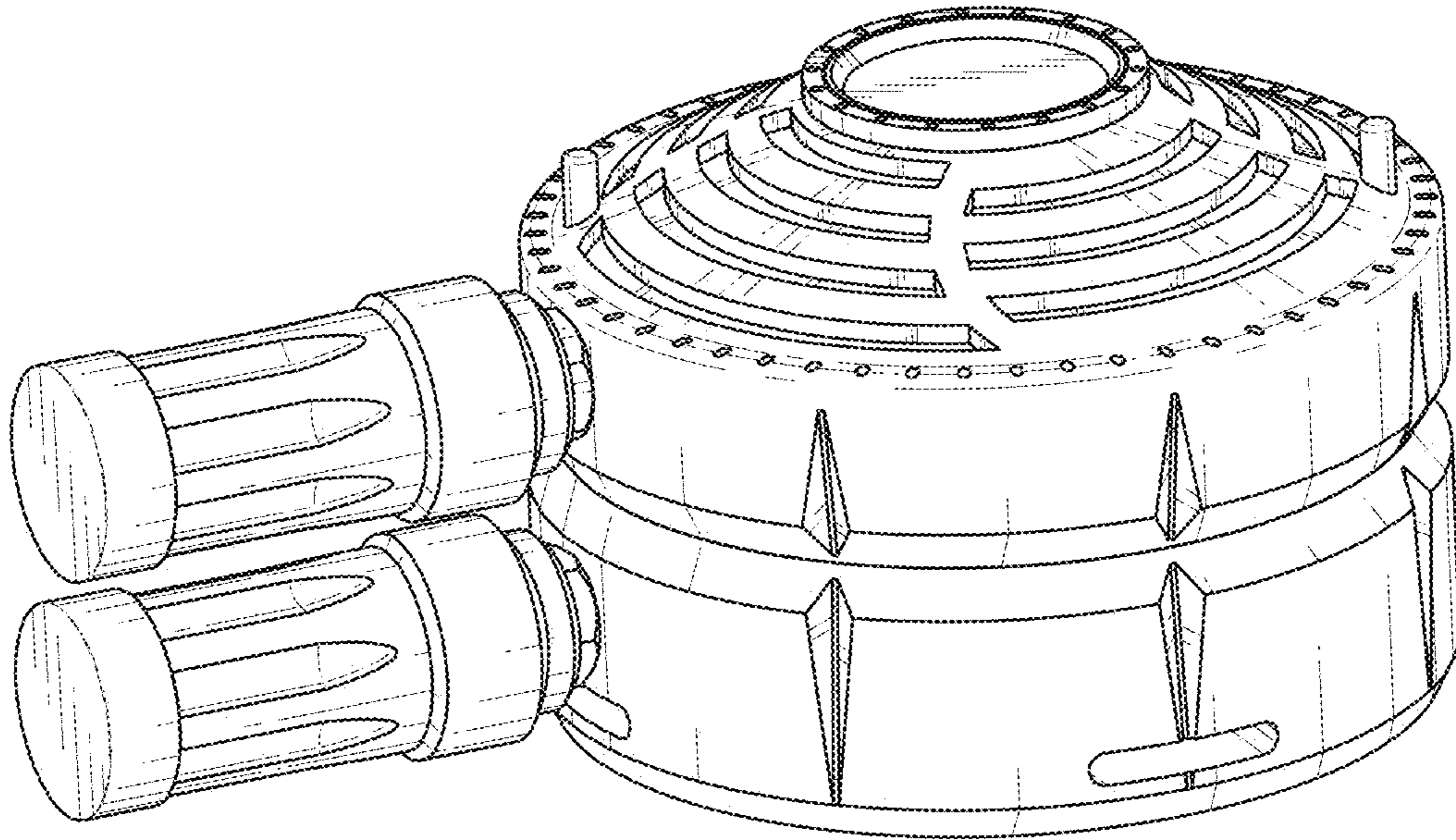


FIG. 10

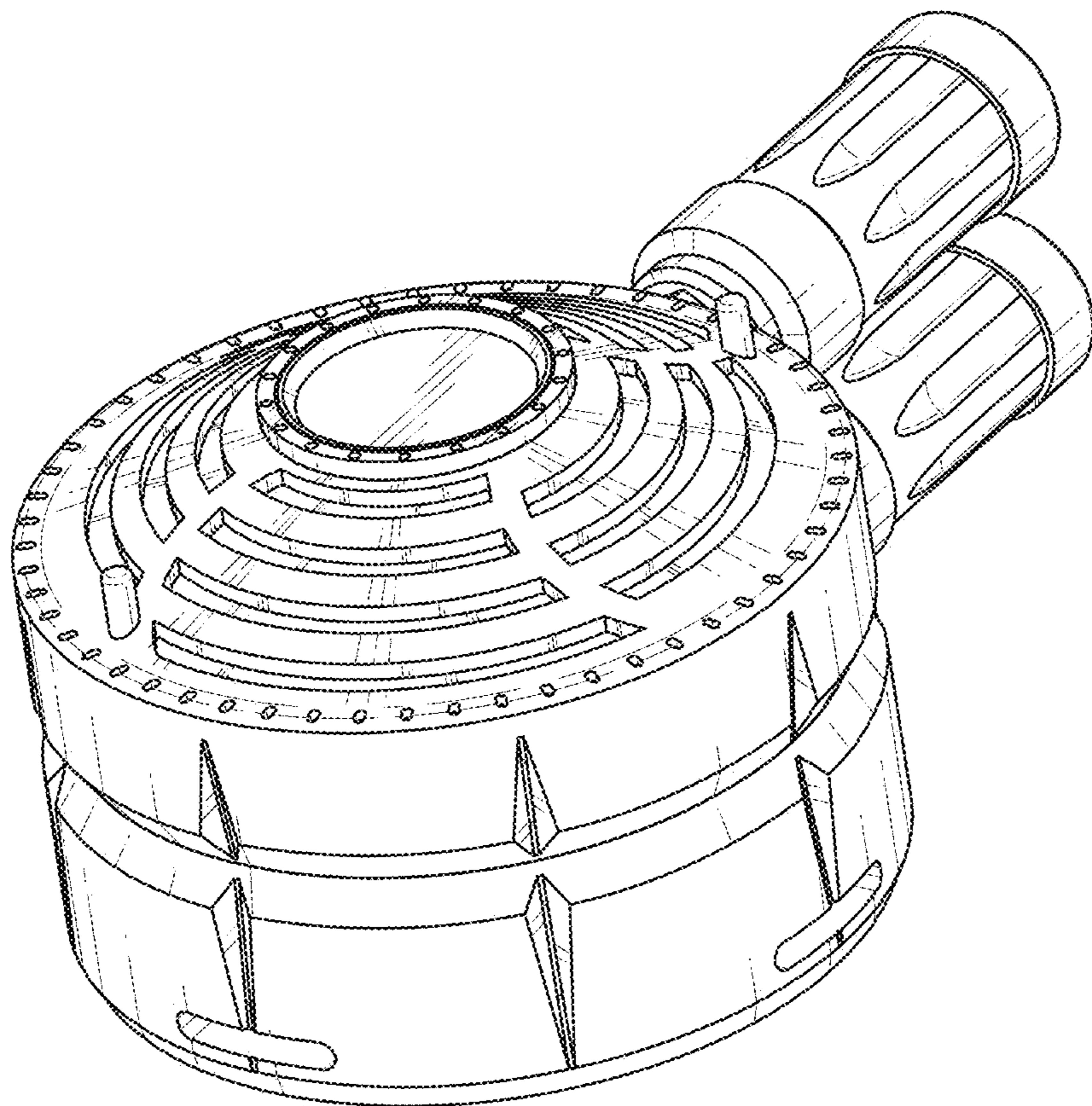


FIG. 11

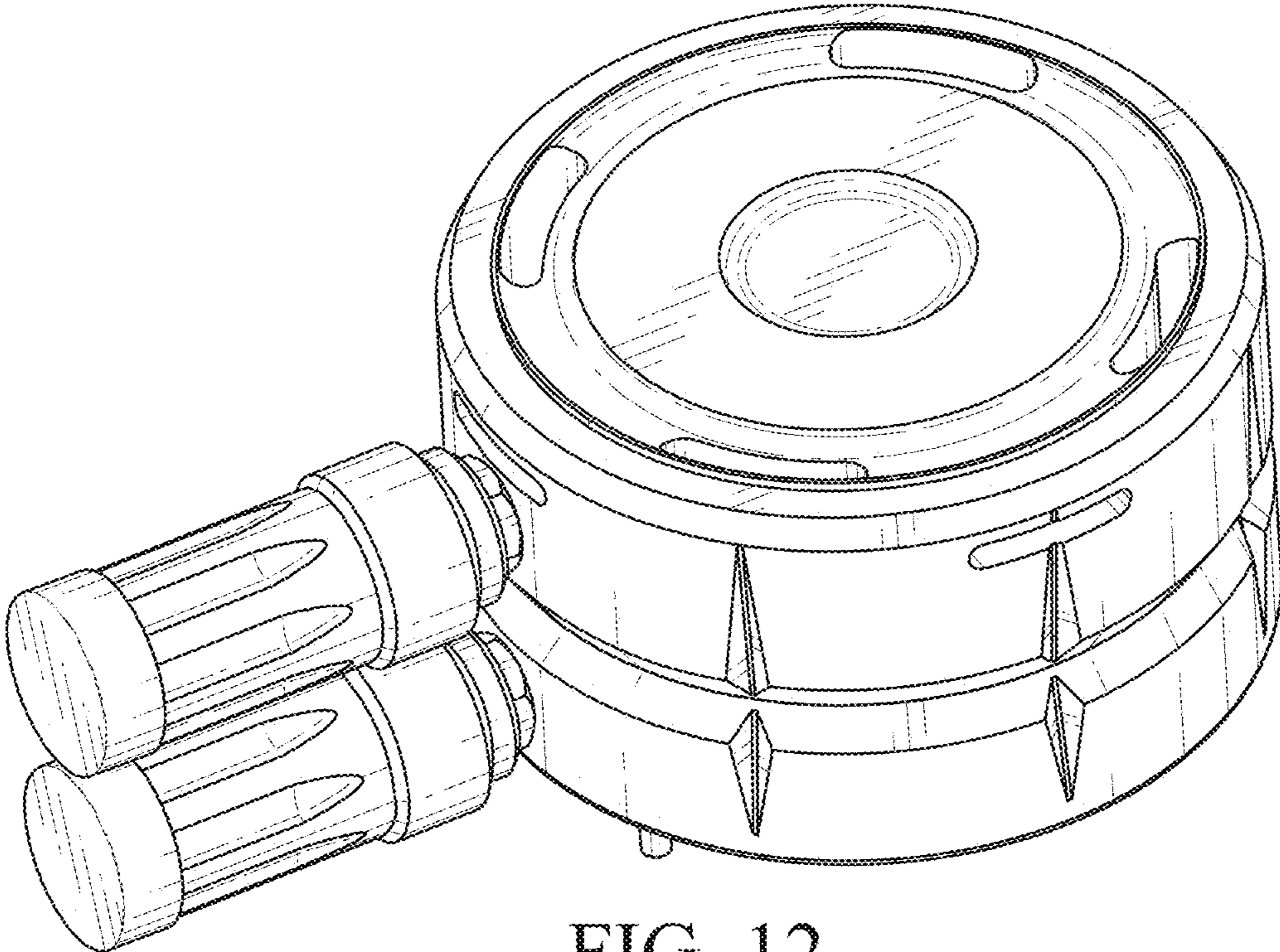


FIG. 12

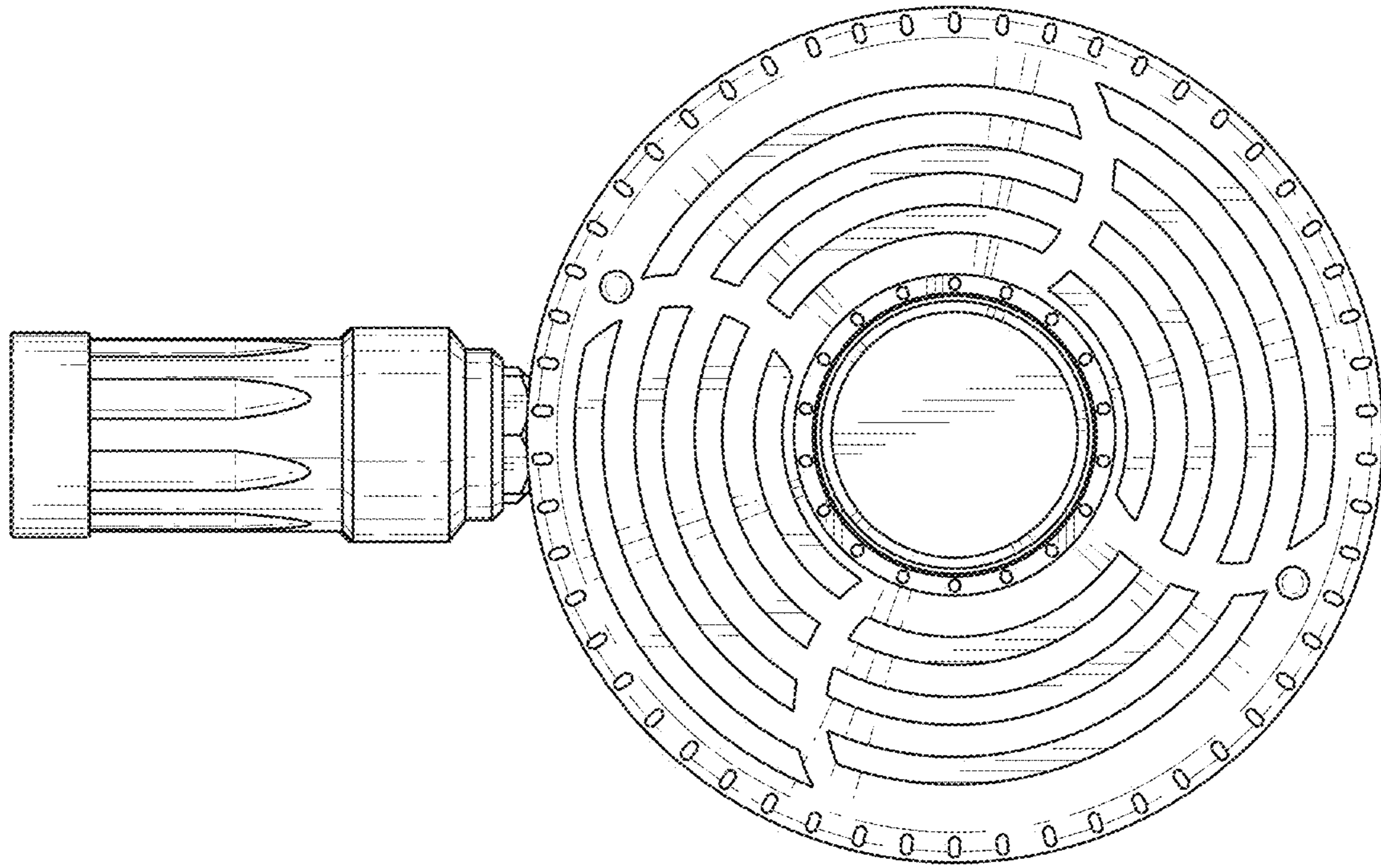


FIG. 13

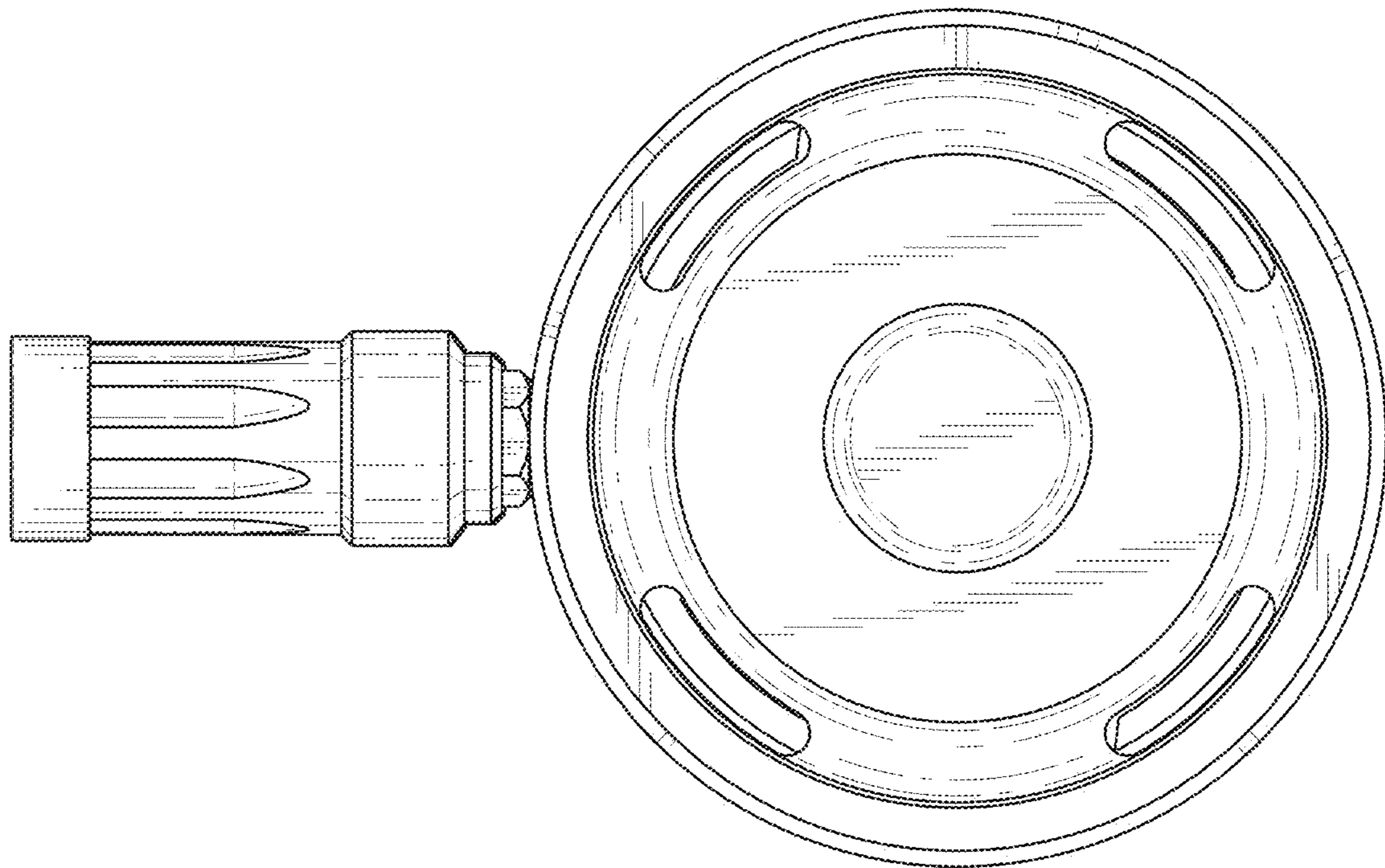


FIG. 14

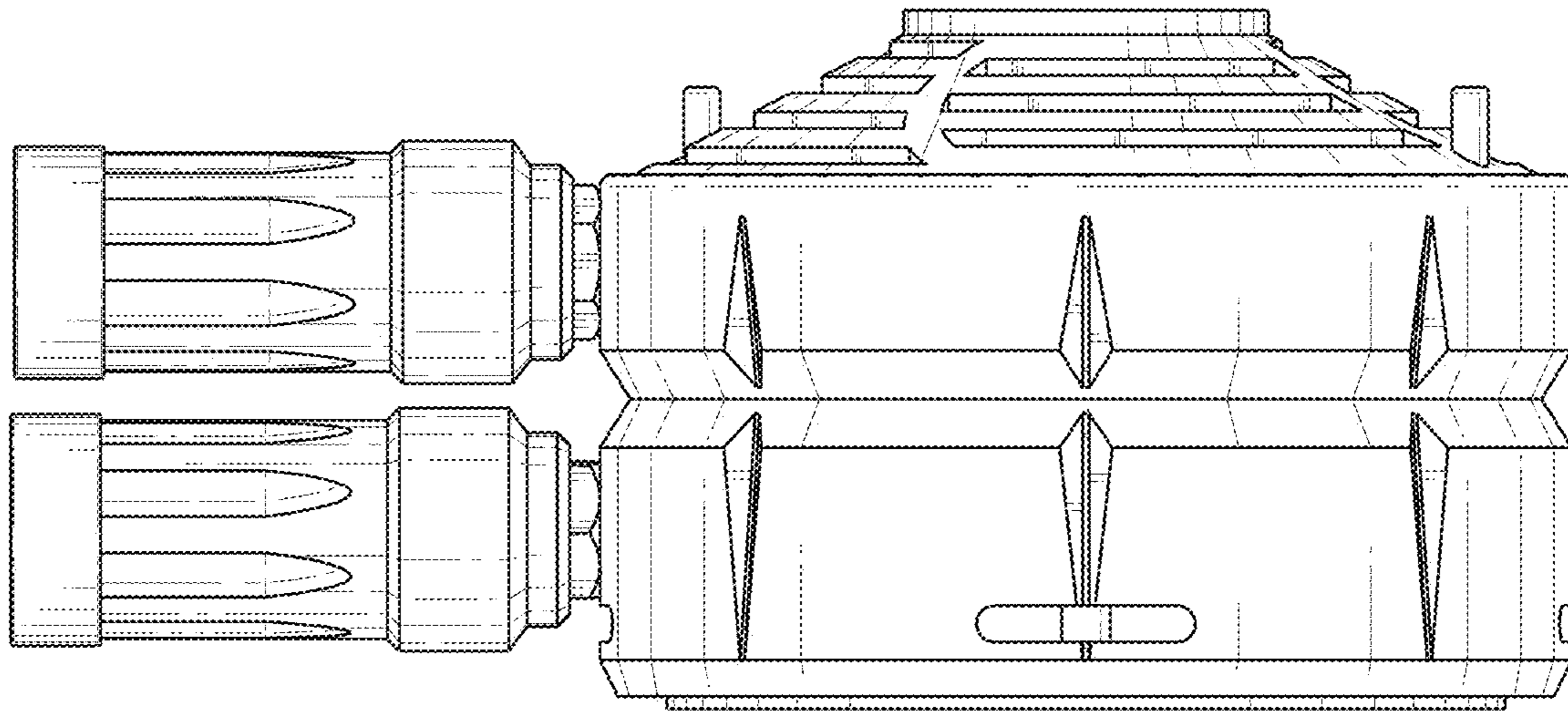


FIG. 15

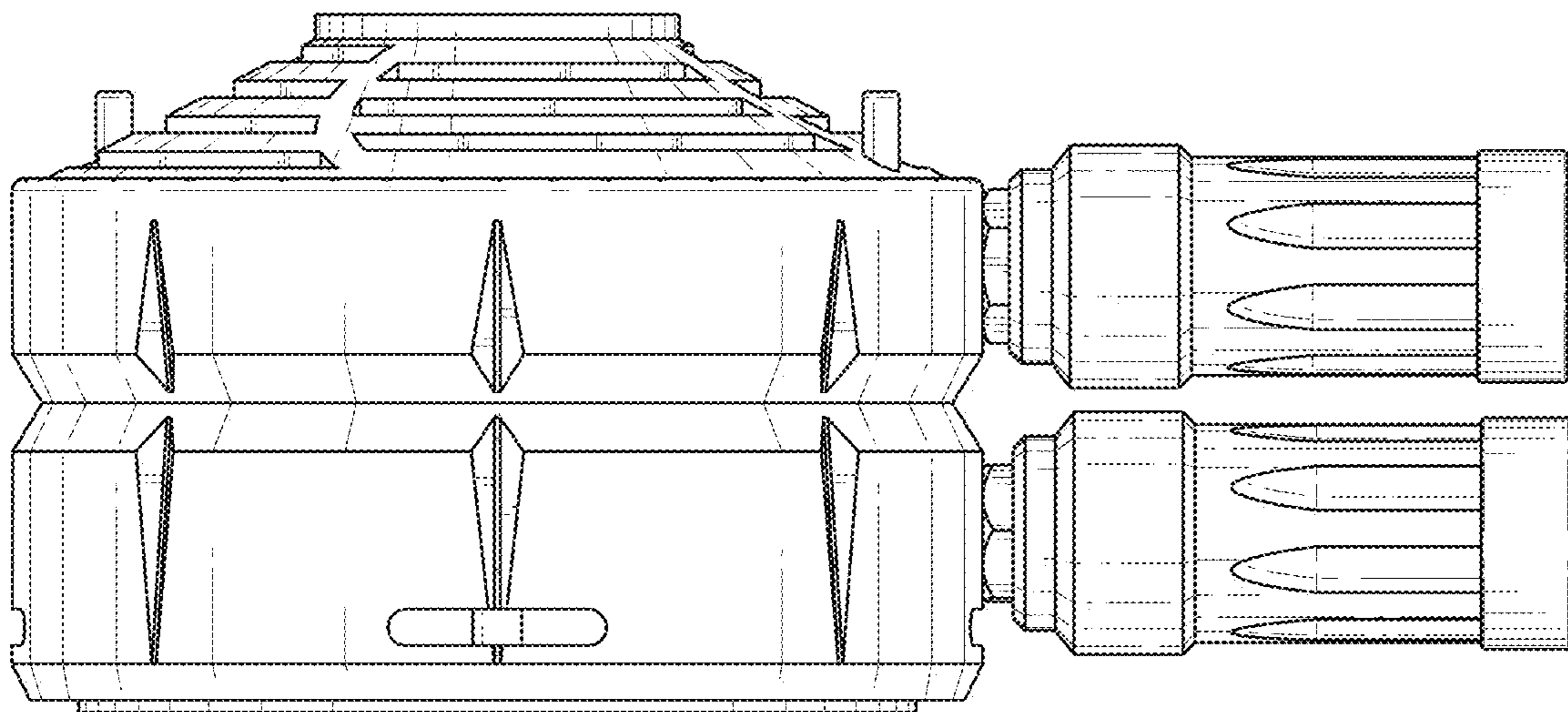


FIG. 16

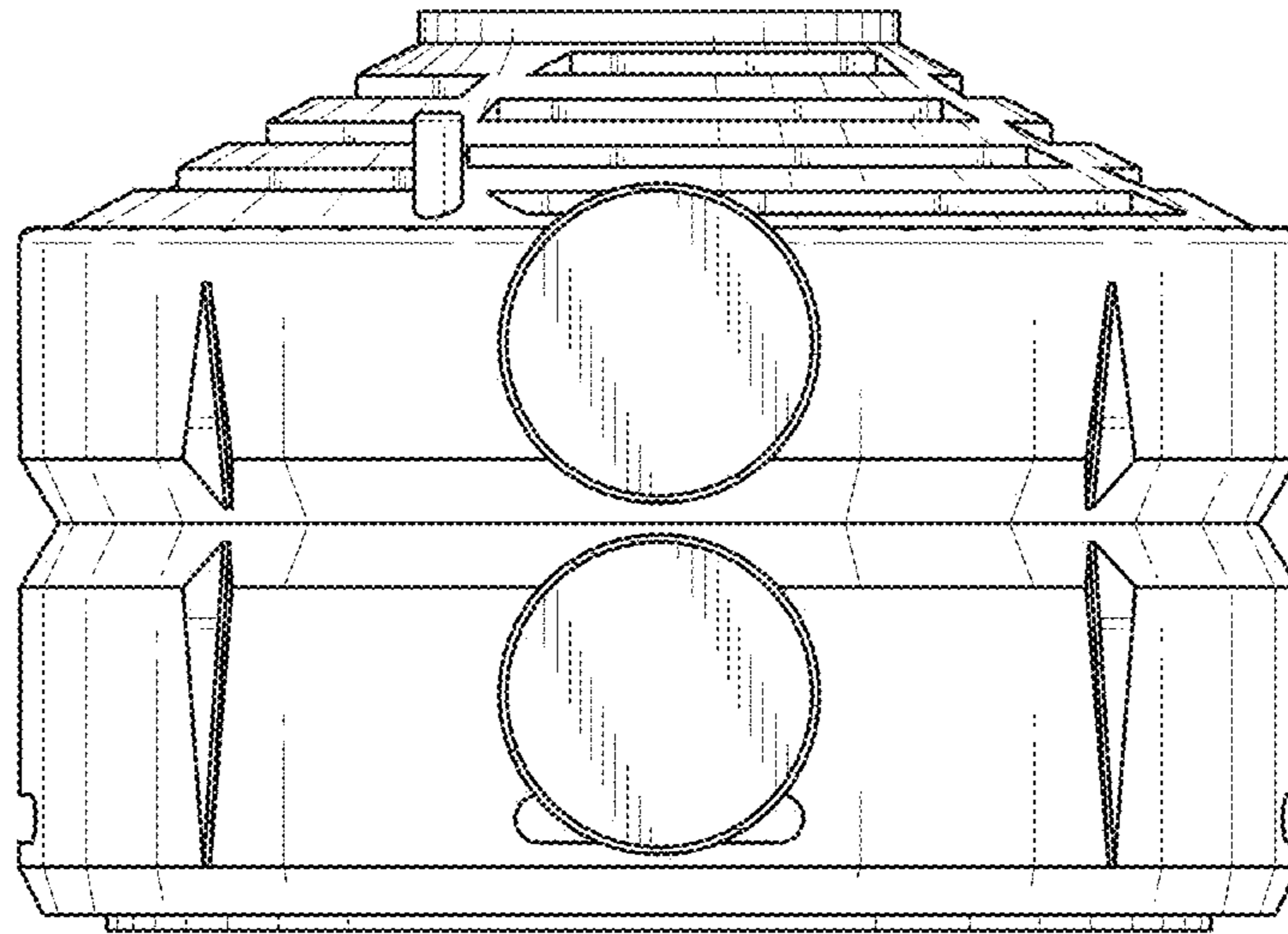


FIG. 17

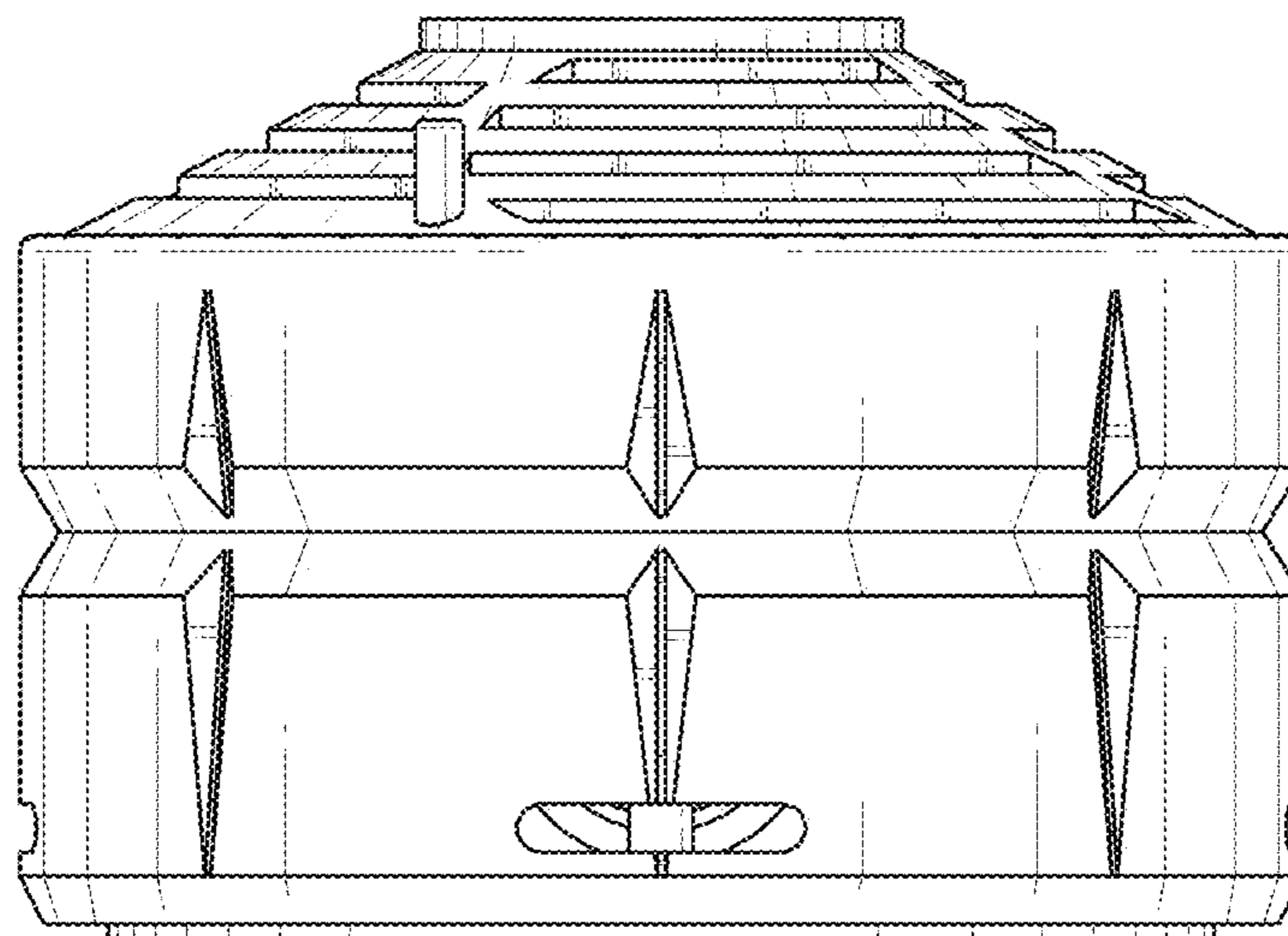


FIG. 18