



US00D884957S

(12) **United States Design Patent**
Dennis et al.

(10) **Patent No.:** **US D884,957 S**

(45) **Date of Patent:** **** May 19, 2020**

(54) **LUMINAIRE**

(71) Applicant: **Lightforce Australia Pty Ltd.**,
Hindmarsh (AU)

(72) Inventors: **Raymond L. Dennis**, Adelaide (AU);
Robert T. Dall, Adelaide (AU)

(73) Assignee: **Lightforce Australia Pty Ltd.**,
Hindmarsh (AU)

(**) Term: **15 Years**

(21) Appl. No.: **29/656,200**

(22) Filed: **Jul. 11, 2018**

(51) **LOC (12) Cl.** **26-03**

(52) **U.S. Cl.**
USPC **D26/118; D26/63**

(58) **Field of Classification Search**
USPC D26/1, 24, 61, 63, 65, 85, 92, 118, 28
CPC F21V 21/14; F21V 15/01; F21V 14/02;
F21V 21/30; F21V 21/00; F21V 14/00;
F21S 8/00; F21S 8/003; F21S 8/043;
F21Y 2105/001
See application file for complete search history.

(56) **References Cited**

U.S. PATENT DOCUMENTS

D566,318 S *	4/2008	Quiogue	D26/63
D573,286 S *	7/2008	Zettl	D26/63
7,997,761 B2 *	8/2011	Peck	F21V 21/116 362/249.02
D675,758 S *	2/2013	Adams	D26/28
D676,162 S	2/2013	Adams		
D680,893 S	4/2013	Adams		
D688,399 S	8/2013	Adams		
D704,363 S	5/2014	Adams		
D704,364 S	5/2014	Adams		

D704,365 S	5/2014	Adams		
D708,778 S *	7/2014	Sibitzky	D26/118
D718,478 S	11/2014	Adams		
D732,219 S	6/2015	Adams		
D739,072 S *	9/2015	Adams	D26/118
D775,401 S *	12/2016	Sibitzky	D26/118
D775,402 S	12/2016	Sibitzky et al.		
D775,403 S	12/2016	Adams et al.		
D784,599 S	4/2017	Sibitzky et al.		
D799,079 S	10/2017	Dennis et al.		
D867,629 S *	11/2019	Renvall	D26/28
D872,920 S *	1/2020	Korpi	D26/63
2013/0265755 A1	10/2013	Adams		
2014/0016317 A1	1/2014	Adams		

* cited by examiner

Primary Examiner — Brian N. Vinson

(74) *Attorney, Agent, or Firm* — Wood Herron & Evans
LLP

(57) **CLAIM**

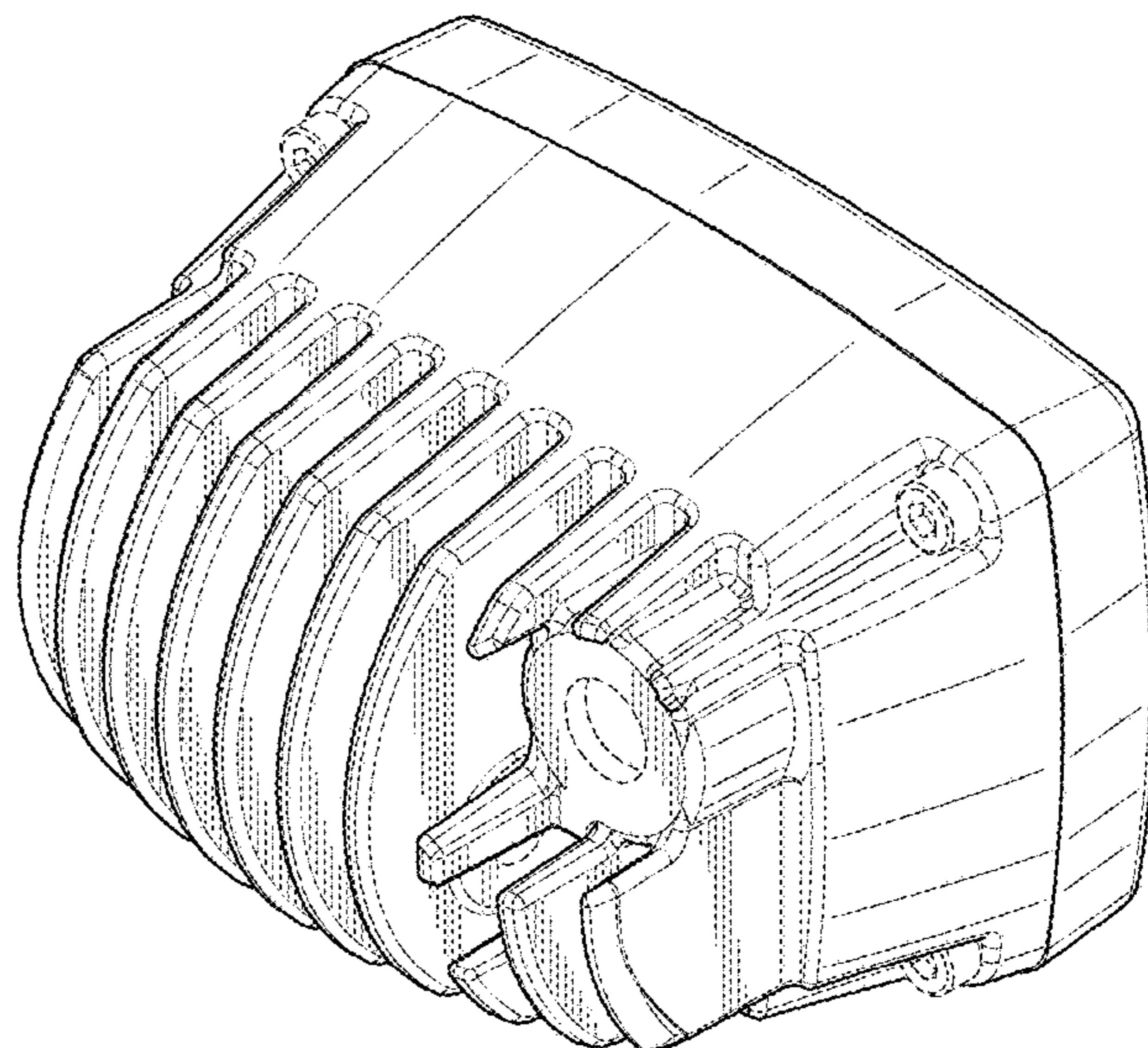
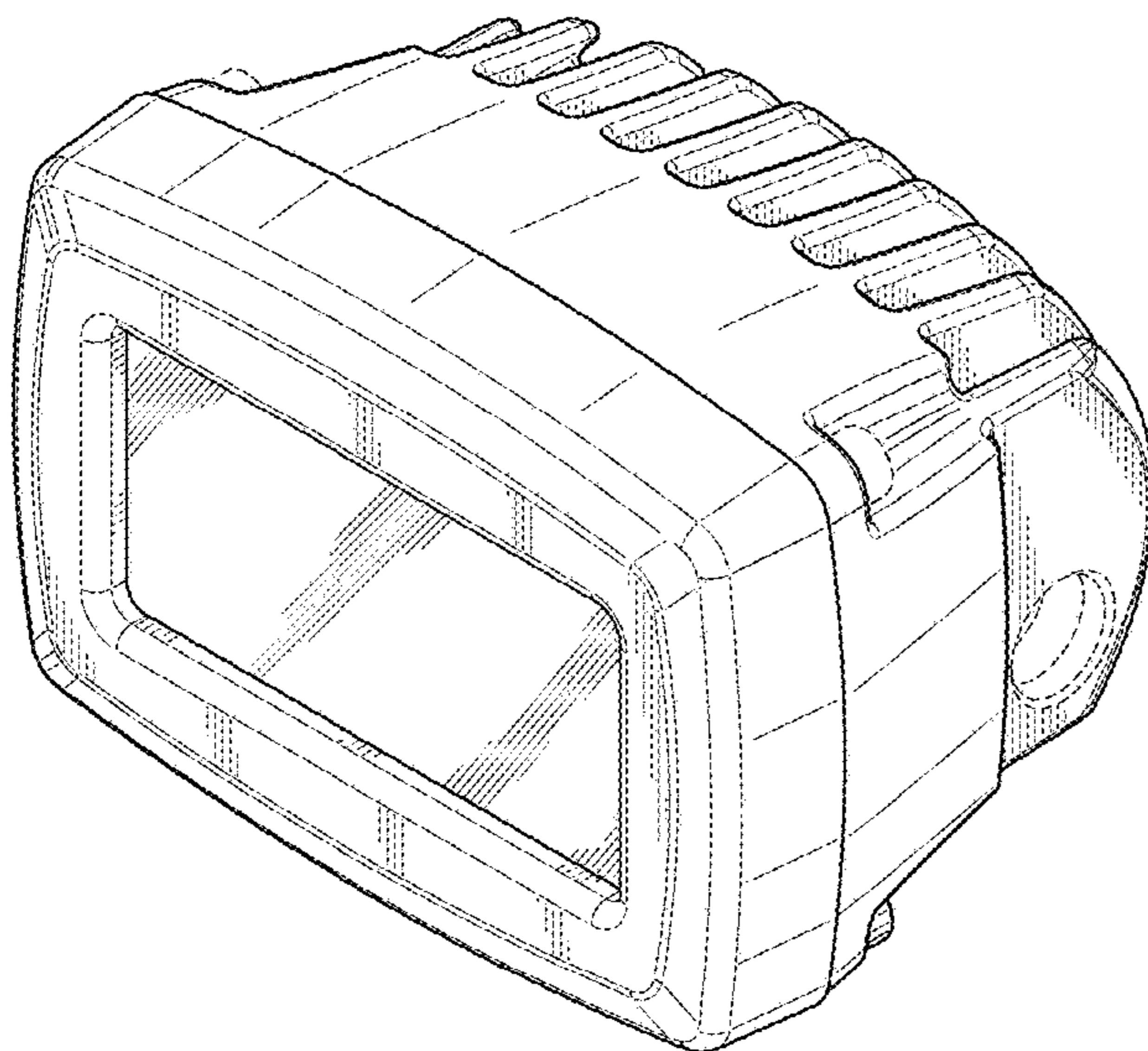
The ornamental design for a luminaire, as shown and described.

DESCRIPTION

FIG. 1 is a front isometric view of the luminaire;
FIG. 2 is a rear isometric view;
FIG. 3 is a rear perspective view;
FIG. 4 is a front elevational view;
FIG. 5 is a rear elevational view;
FIG. 6 is a left side elevational view
FIG. 7 is a right side elevational view;
FIG. 8 is a top plan view; and,
FIG. 9 is a bottom plan view.

The features of the luminaire shown in broken lines are for illustrative purposes only and form no part of the claimed design.

1 Claim, 9 Drawing Sheets



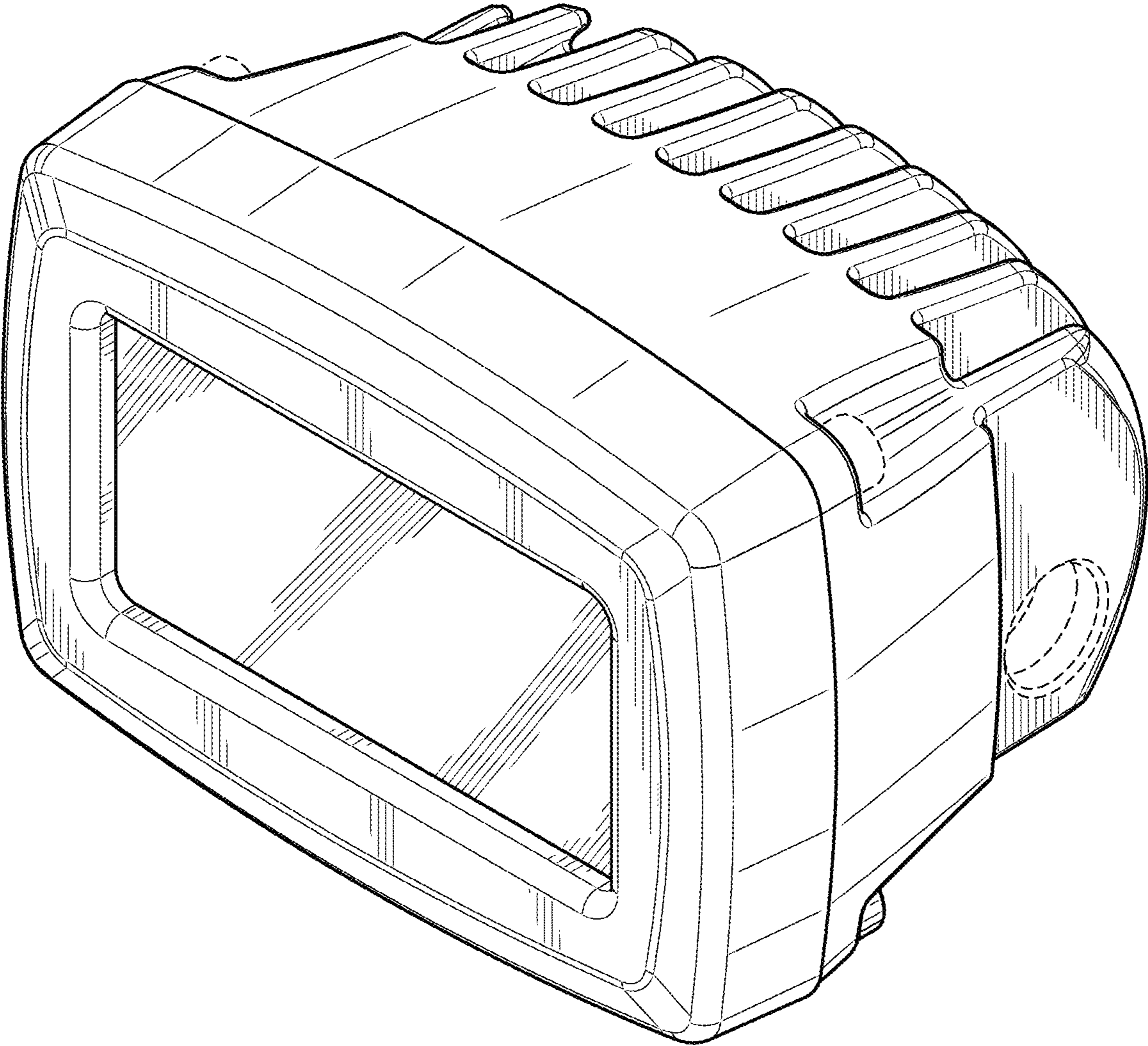


FIG. 1

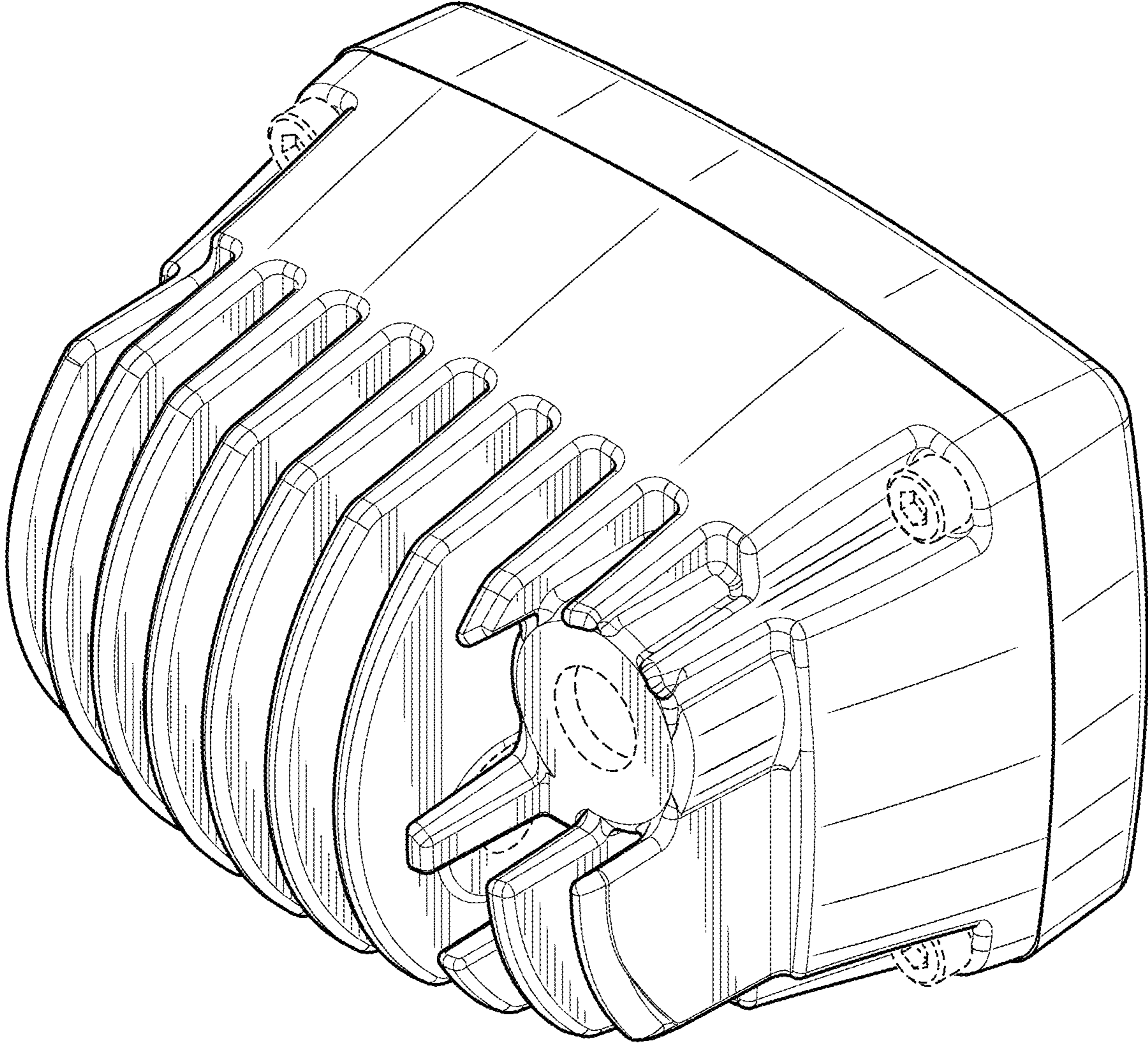


FIG. 2

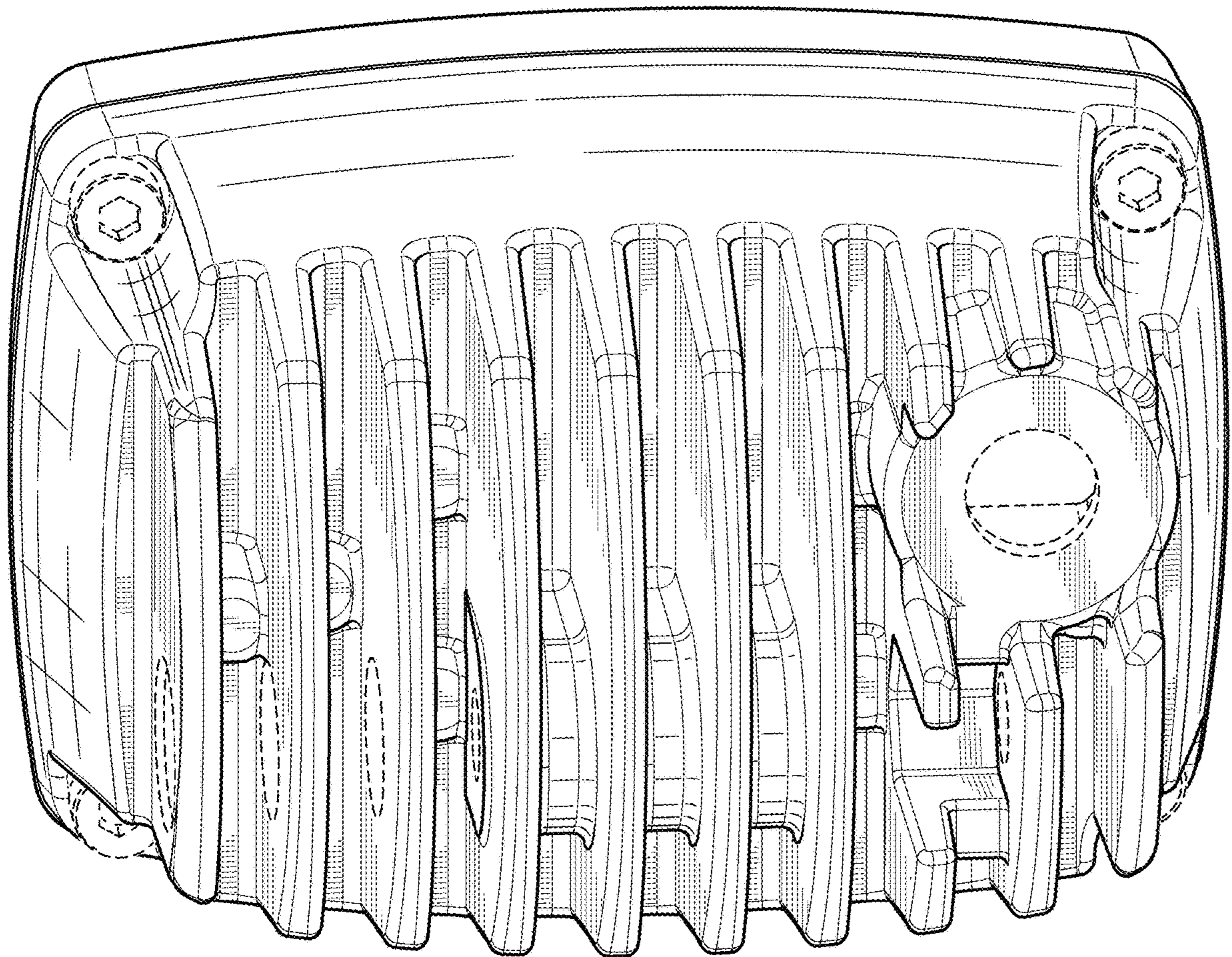


FIG. 3

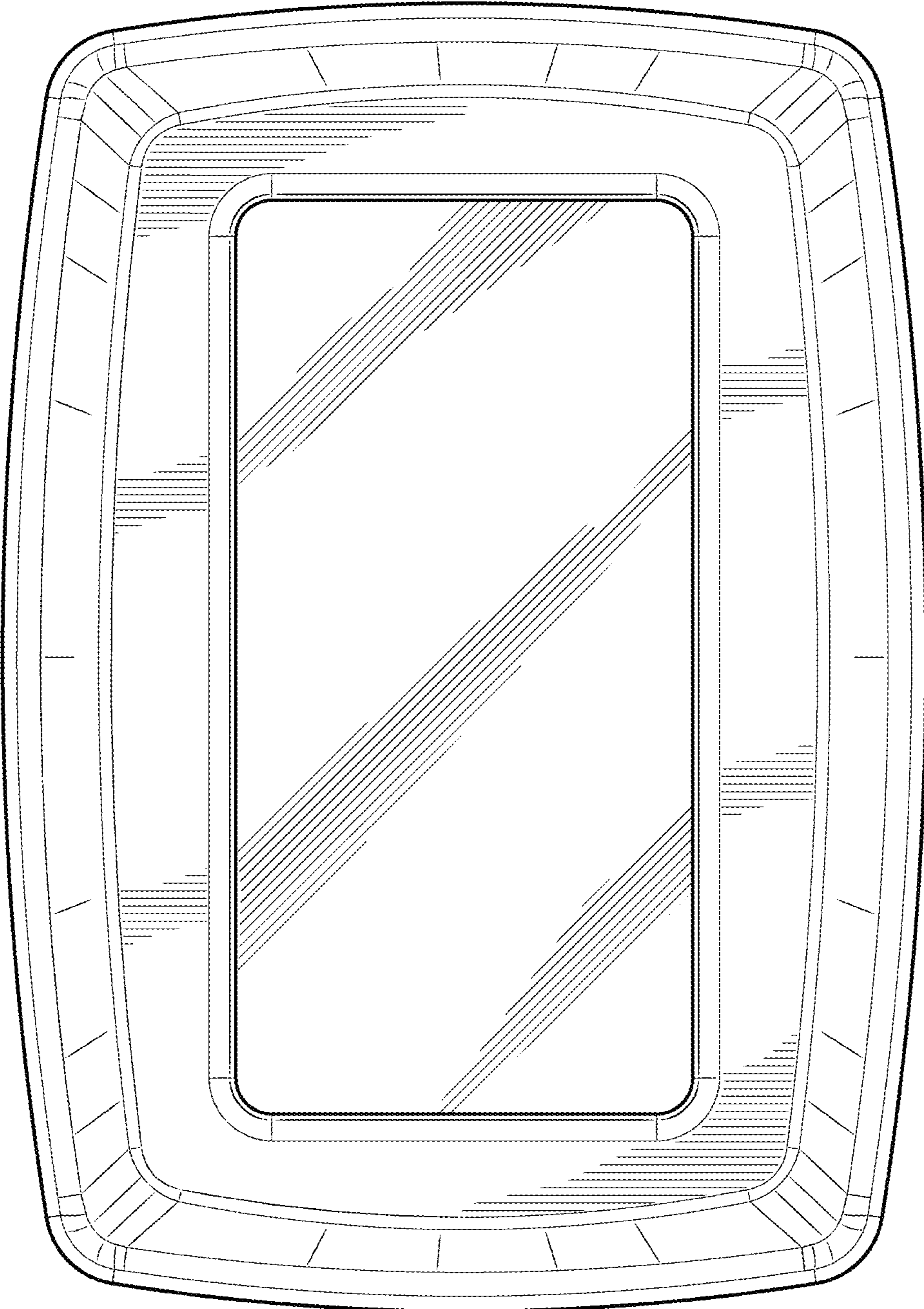


FIG. 4

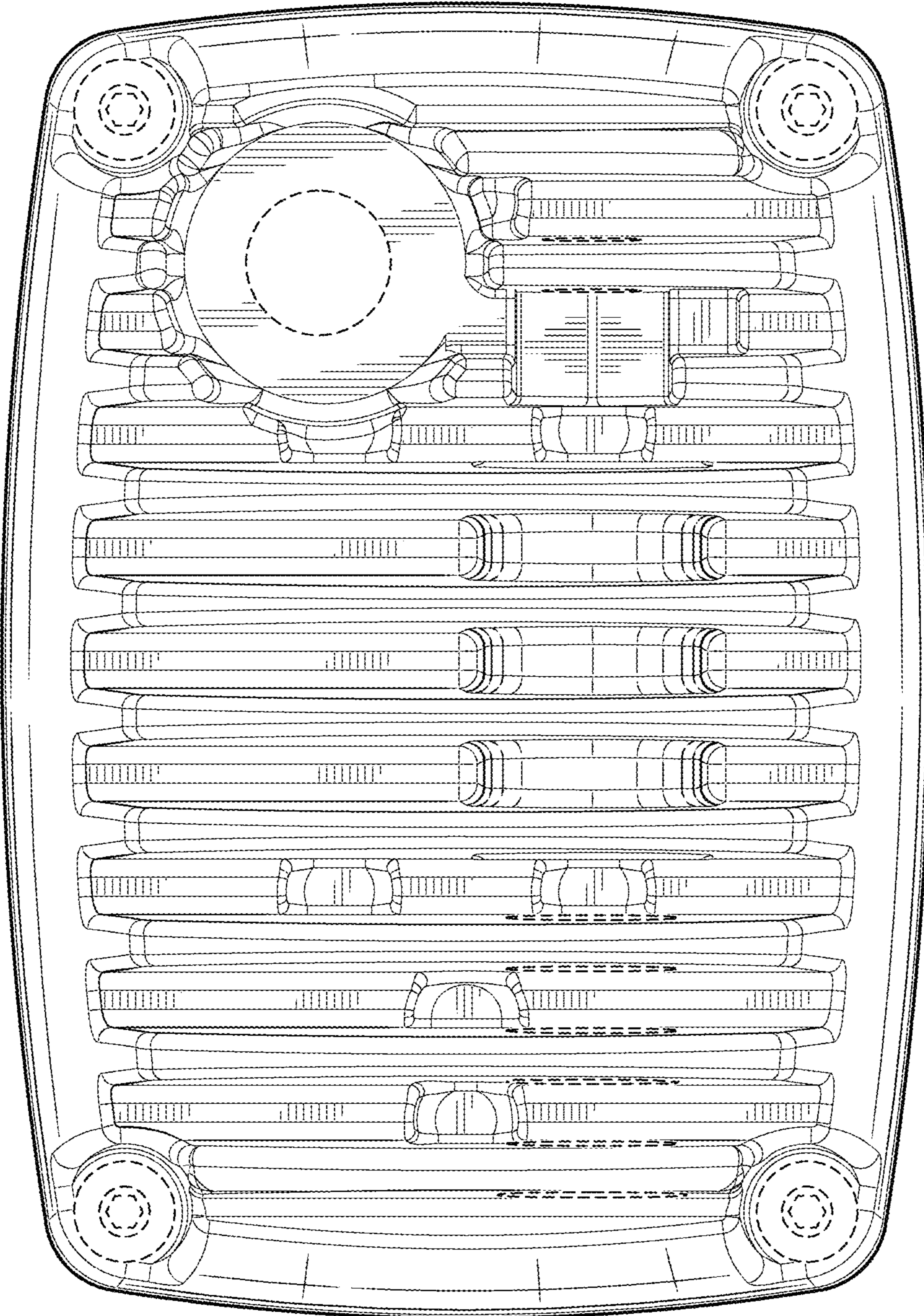


FIG. 5

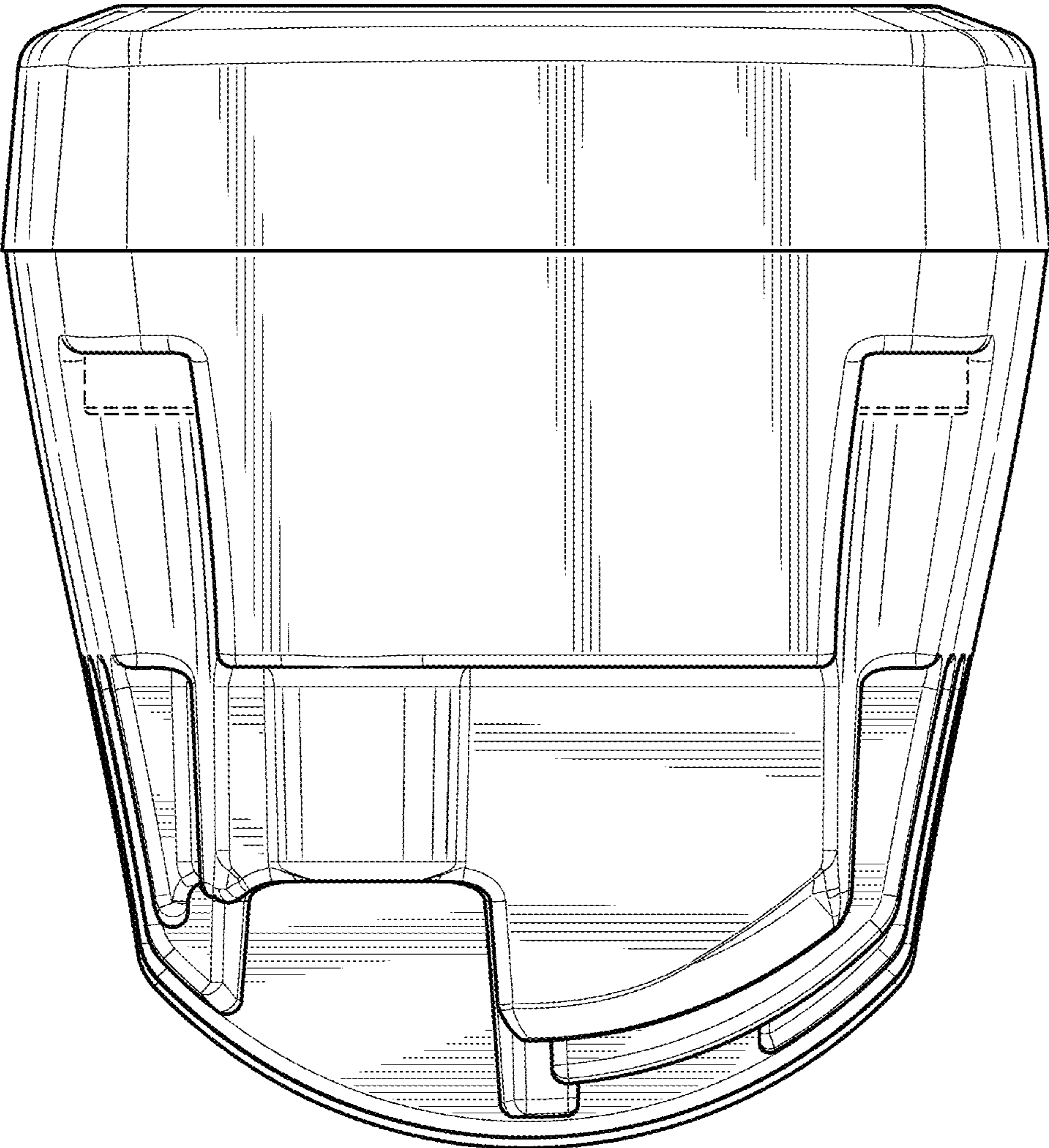


FIG. 6

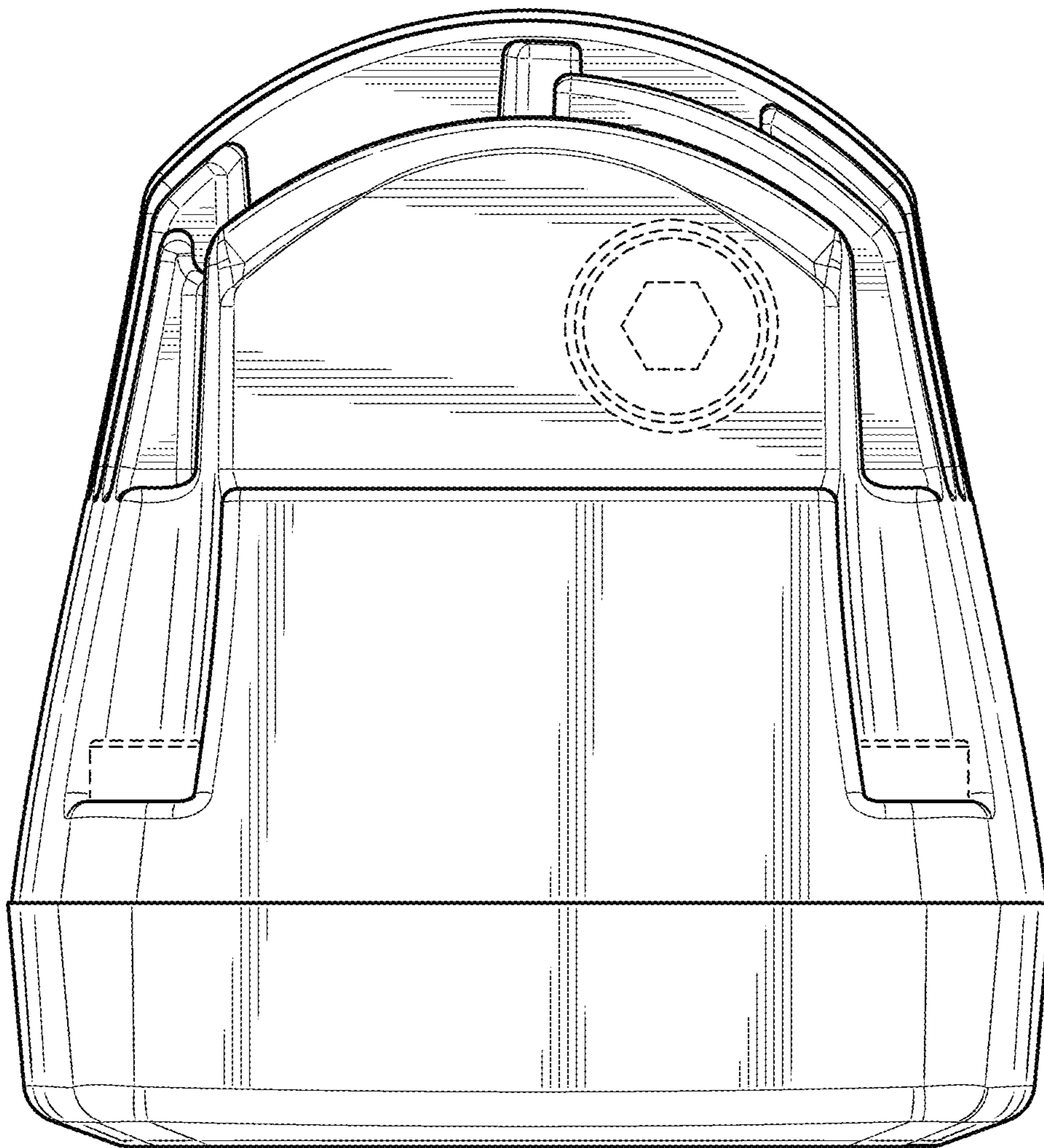


FIG. 7

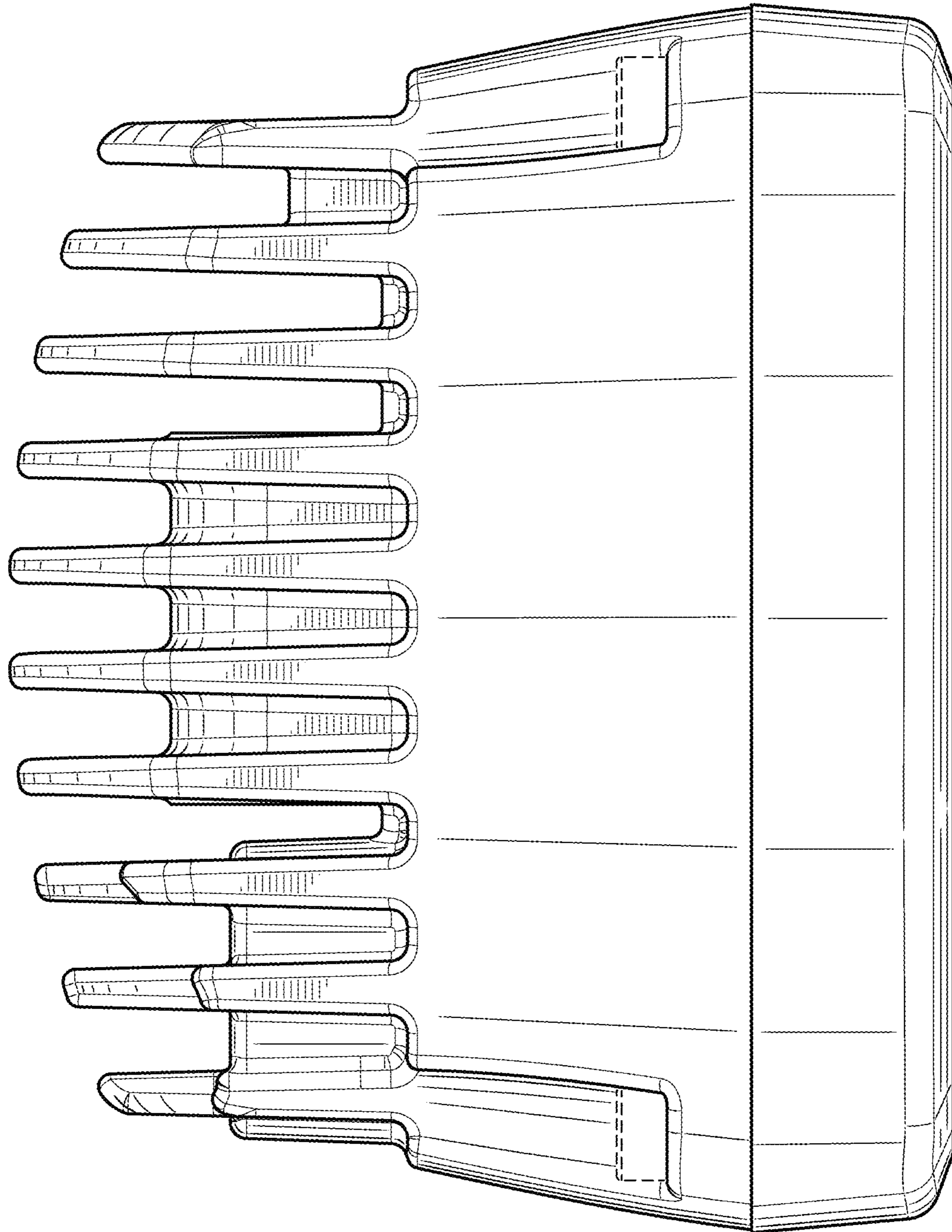


FIG. 8

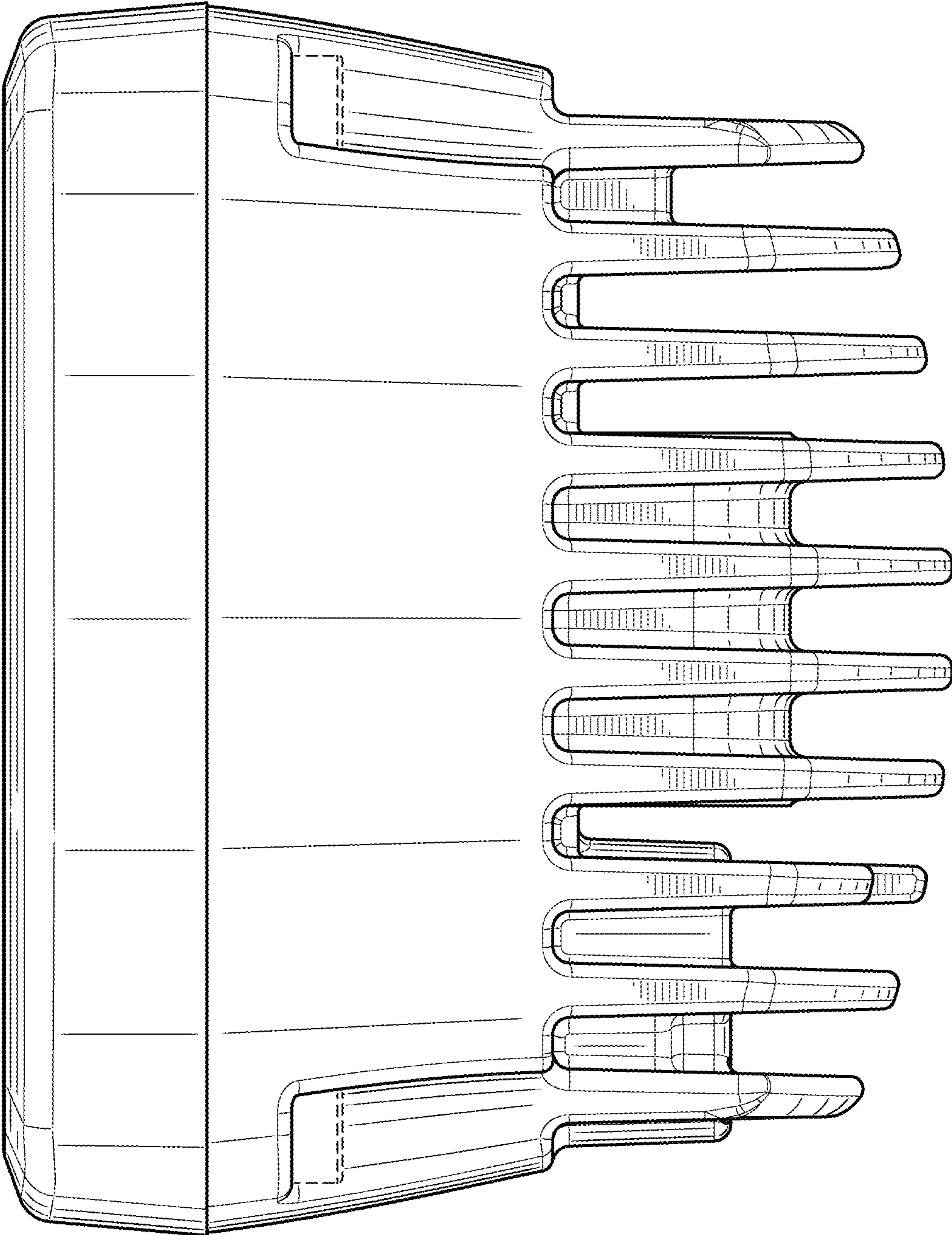


FIG. 9