



US00D884955S

(12) **United States Design Patent**
Yi et al.

(10) **Patent No.:** **US D884,955 S**

(45) **Date of Patent:** **** May 19, 2020**

(54) **LED BEDSIDE LAMP**

D861,965 S * 10/2019 Lin D26/110
D861,966 S * 10/2019 Wang D26/110

(71) Applicant: **Shenzhen Flashine Lighting Co., Ltd.**,
Shenzhen (CN)

* cited by examiner

(72) Inventors: **Shenhui Yi**, Linxiang (CN); **Bo She**,
Bazhong (CN)

Primary Examiner — Brian N. Vinson

(74) *Attorney, Agent, or Firm* — Dragon Sun Law Firm,
PC; Jinggao Li, Esq.

(73) Assignee: **SHENZHEN FLASHINE LIGHTING
CO., LTD.**, Shenzhen (CN)

(**) Term: **15 Years**

(57) **CLAIM**

(21) Appl. No.: **29/650,120**

The ornamental design for a LED bedside lamp, as shown
and described.

(22) Filed: **Jun. 4, 2018**

(51) **LOC (12) Cl.** **26-03**

(52) **U.S. Cl.**
USPC **D26/104**

(58) **Field of Classification Search**
USPC D26/37, 51, 55, 57, 93–112, 40
CPC ... F21V 15/01; F21V 1/00; F21V 3/00; F21V
21/0885; F21L 2001/00; F21W 2121/00;
A47F 11/06

See application file for complete search history.

DESCRIPTION

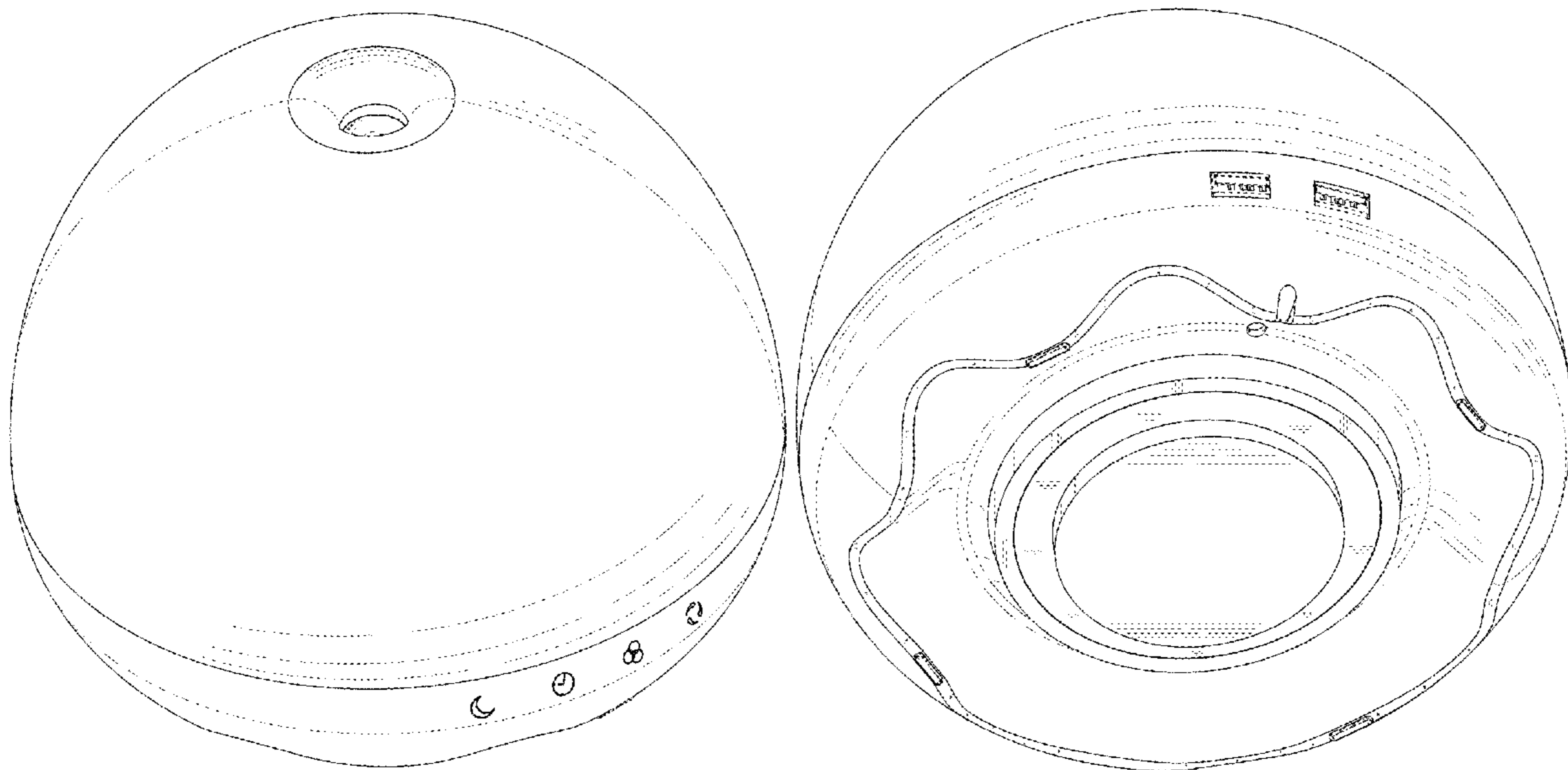
FIG. 1 is a front elevational view of a LED bedside lamp
showing our new design;
FIG. 2 is a rear elevational view thereof;
FIG. 3 is a left elevational view thereof;
FIG. 4 is a right elevational view thereof;
FIG. 5 is a top plan view thereof;
FIG. 6 is a bottom plan view thereof;
FIG. 7 is a top perspective view thereof; and,
FIG. 8 is a bottom perspective view thereof.
The broken lines represent portions of the lamp which form
no part of the claimed design.

(56) **References Cited**

U.S. PATENT DOCUMENTS

D731,107 S * 6/2015 Wu D26/104
D858,861 S * 9/2019 Lin D26/108

1 Claim, 8 Drawing Sheets



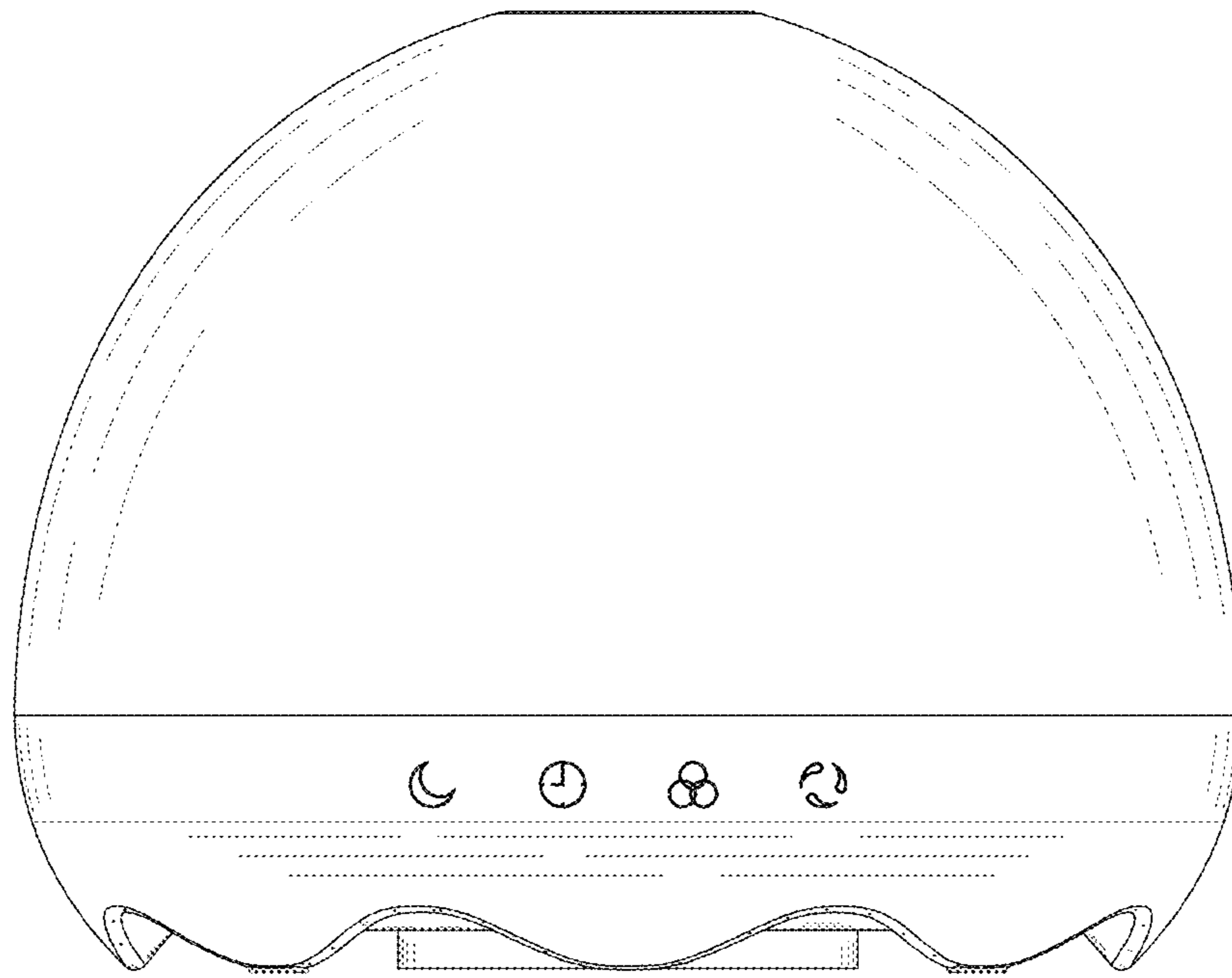


FIG. 1

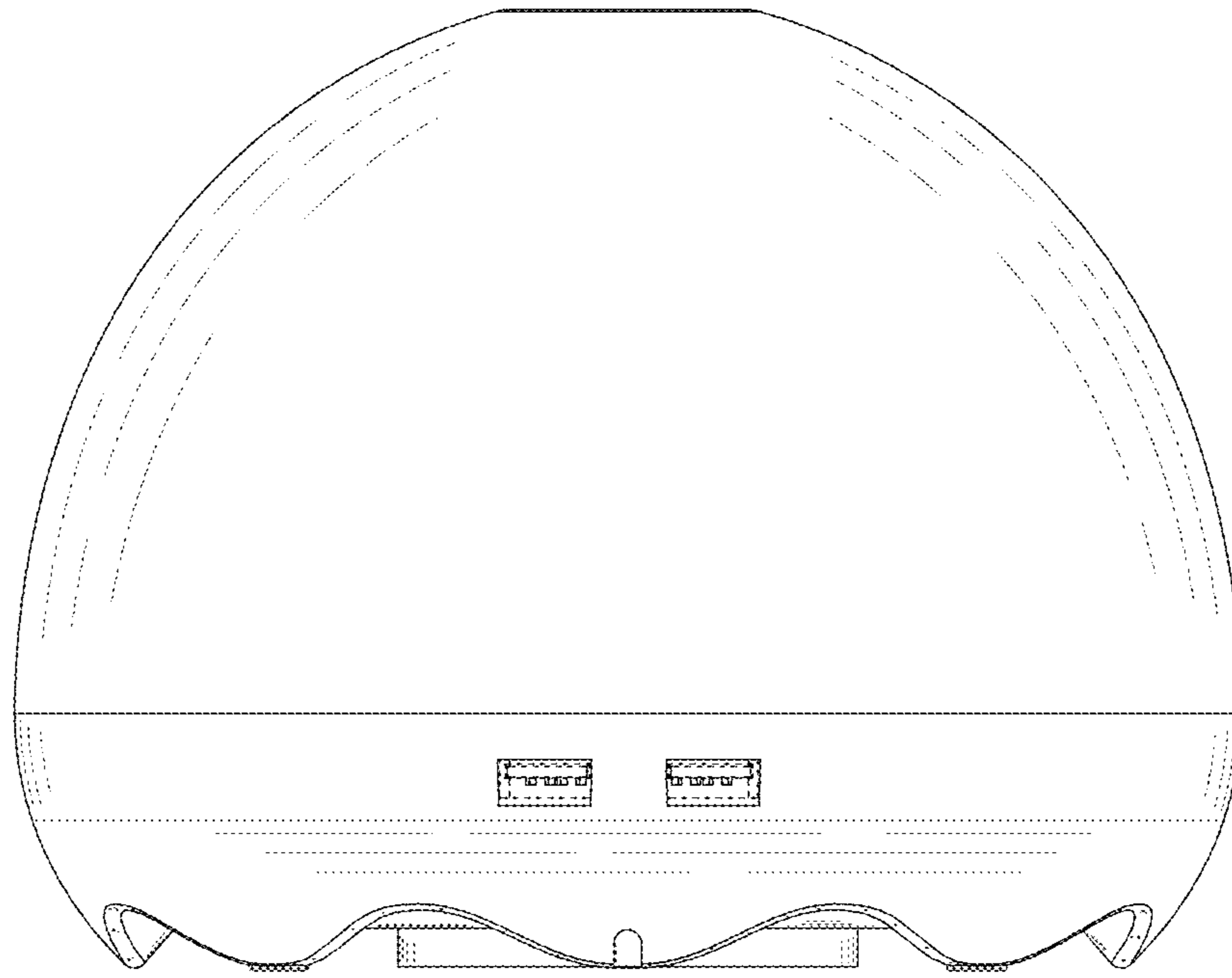


FIG. 2

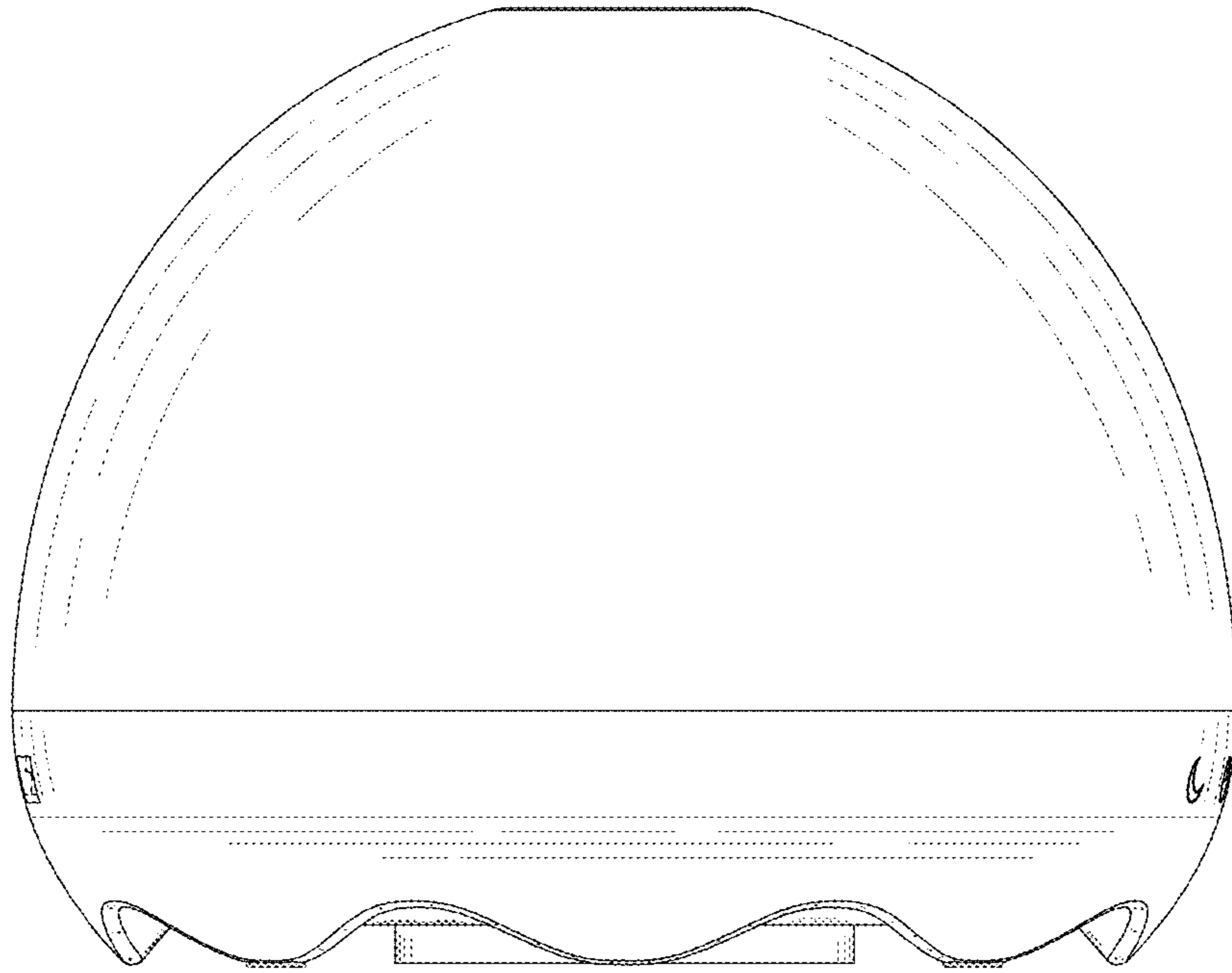


FIG. 3

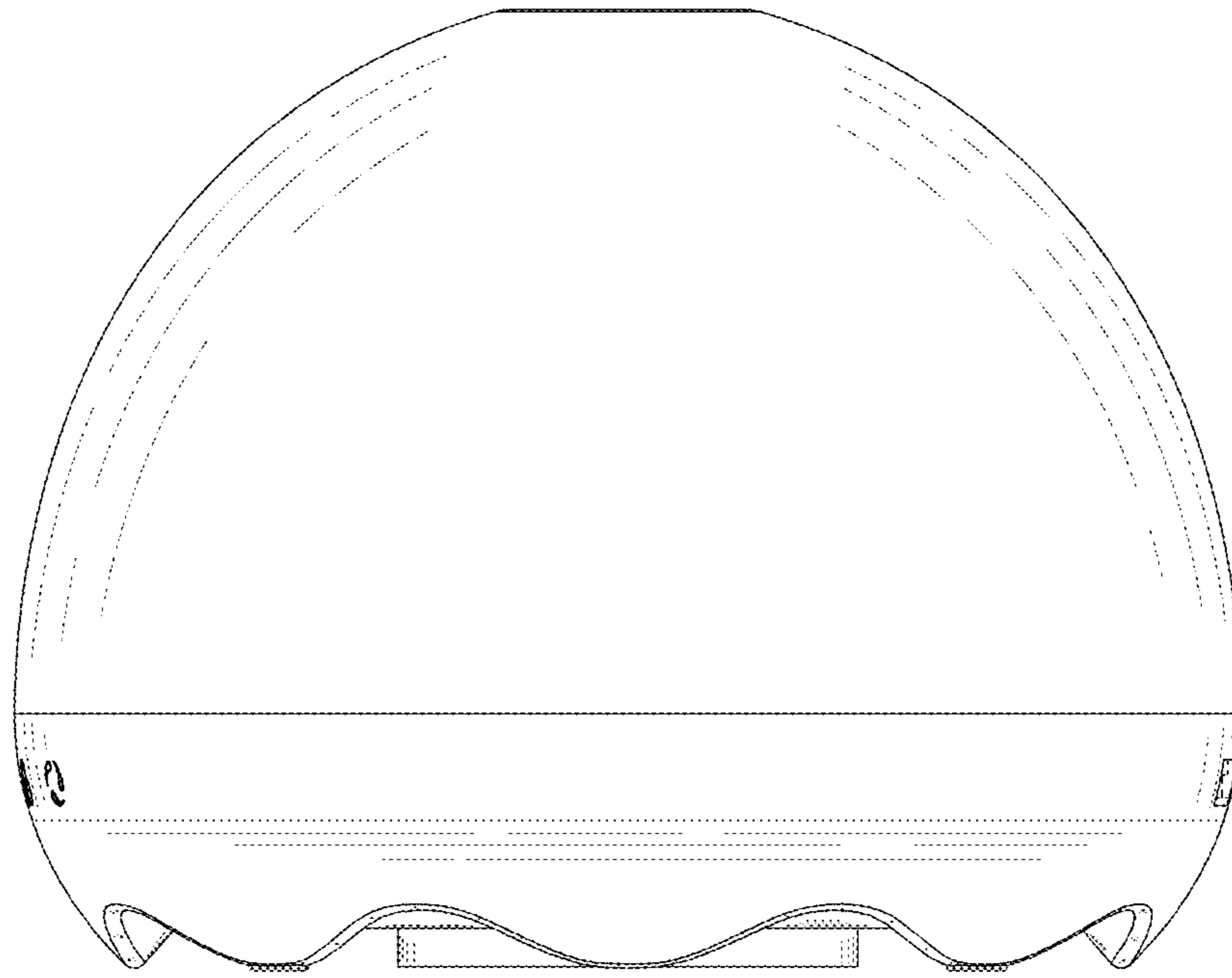


FIG. 4

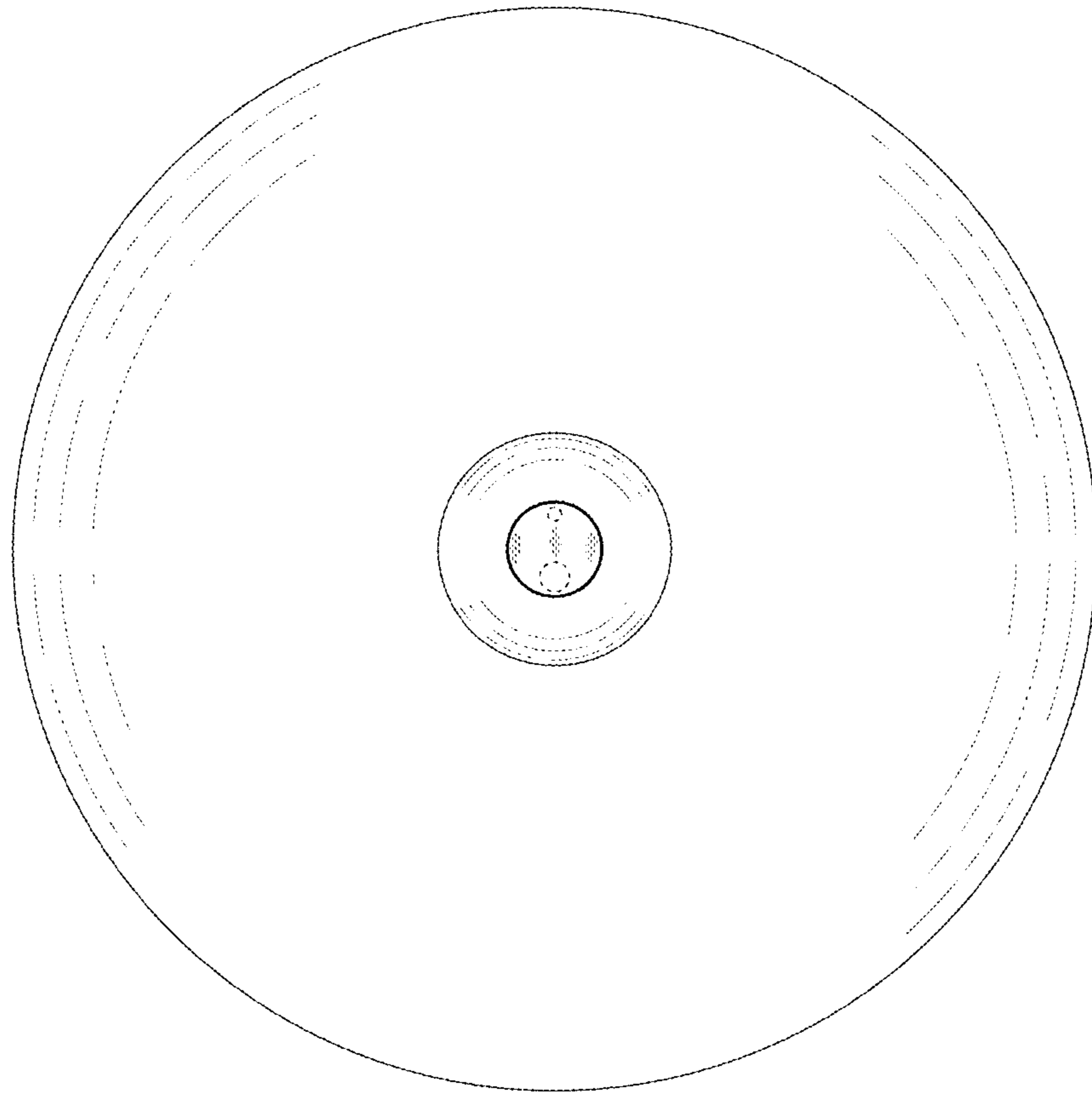


FIG. 5

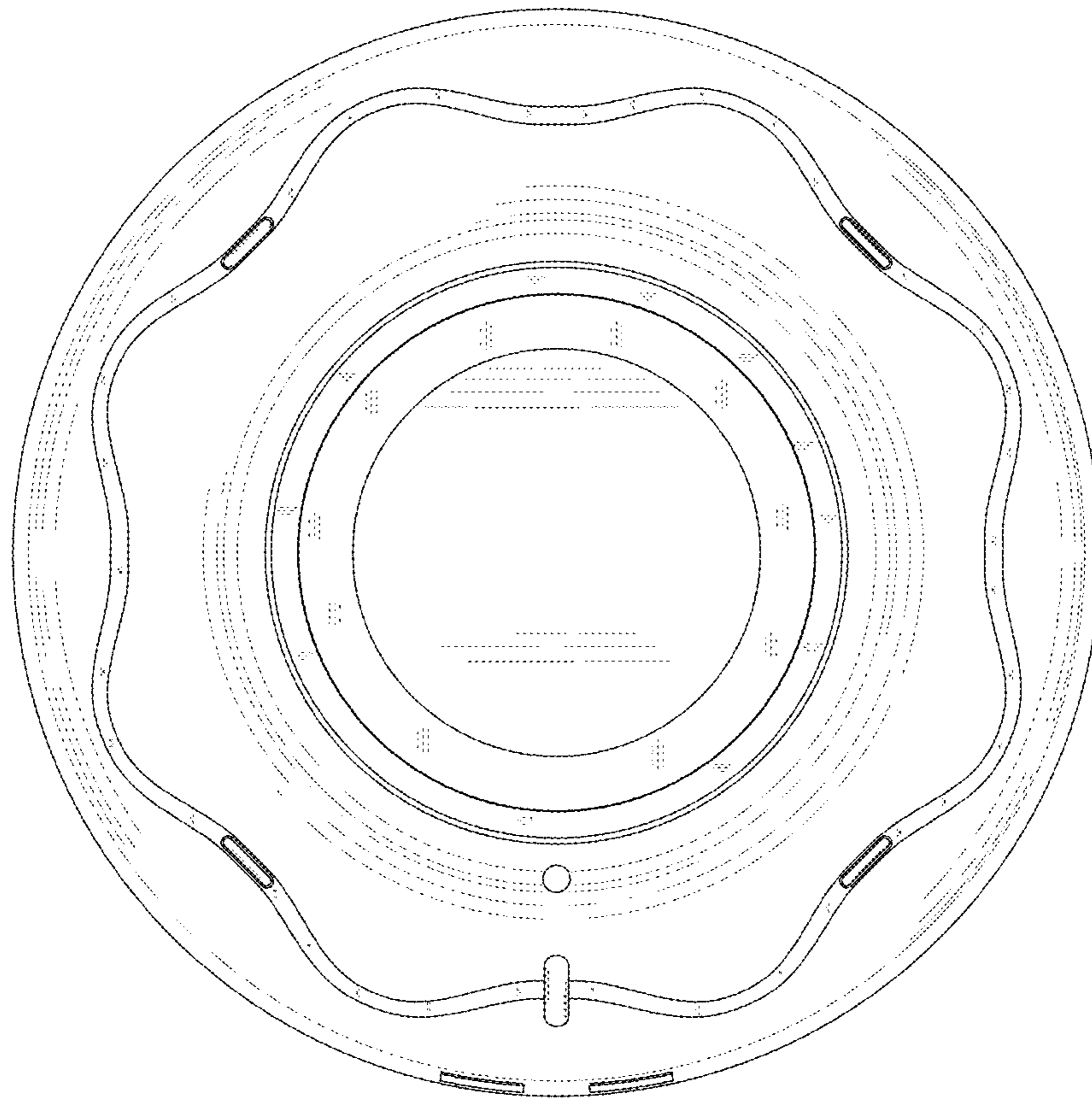


FIG. 6

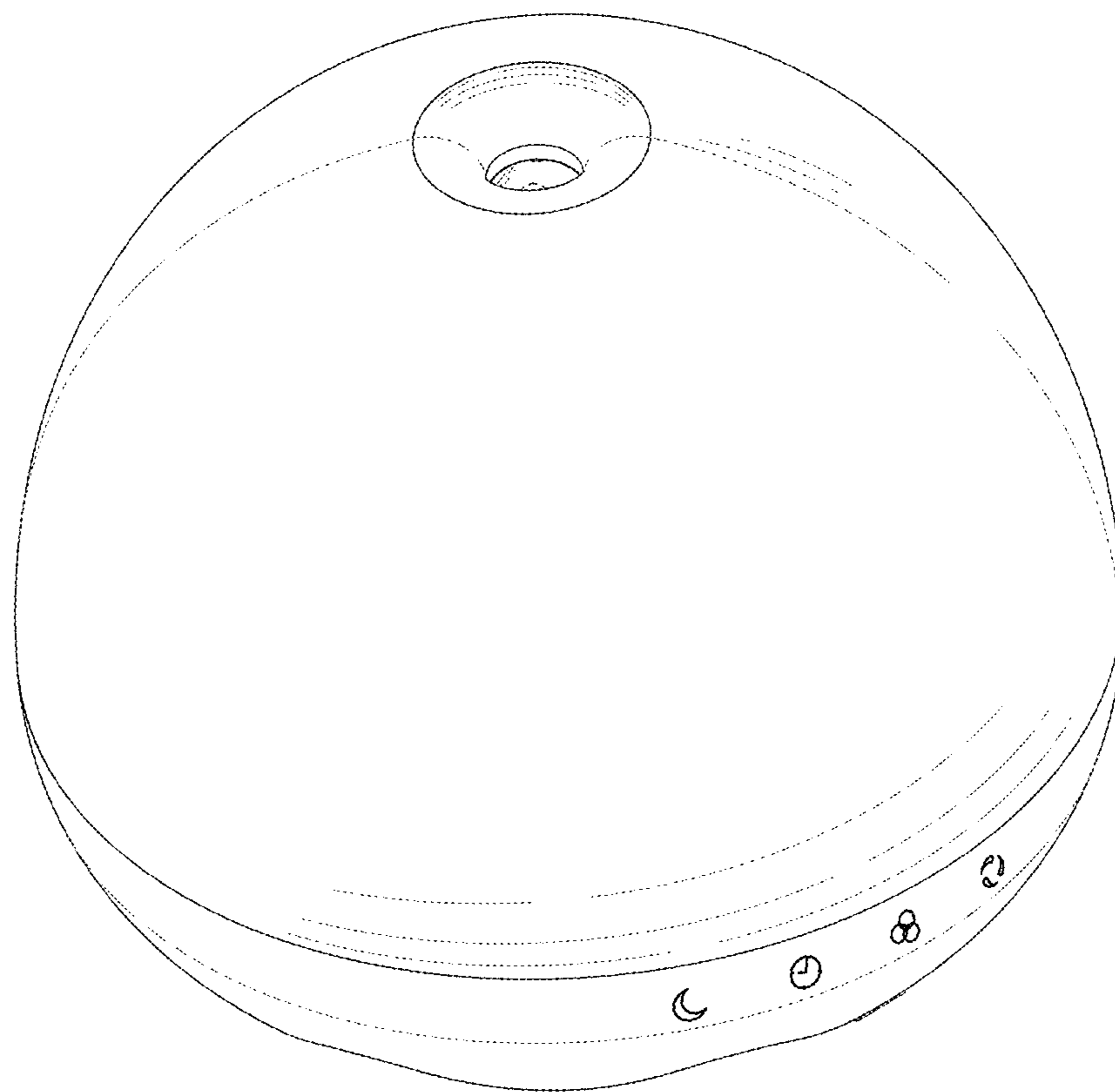


FIG. 7

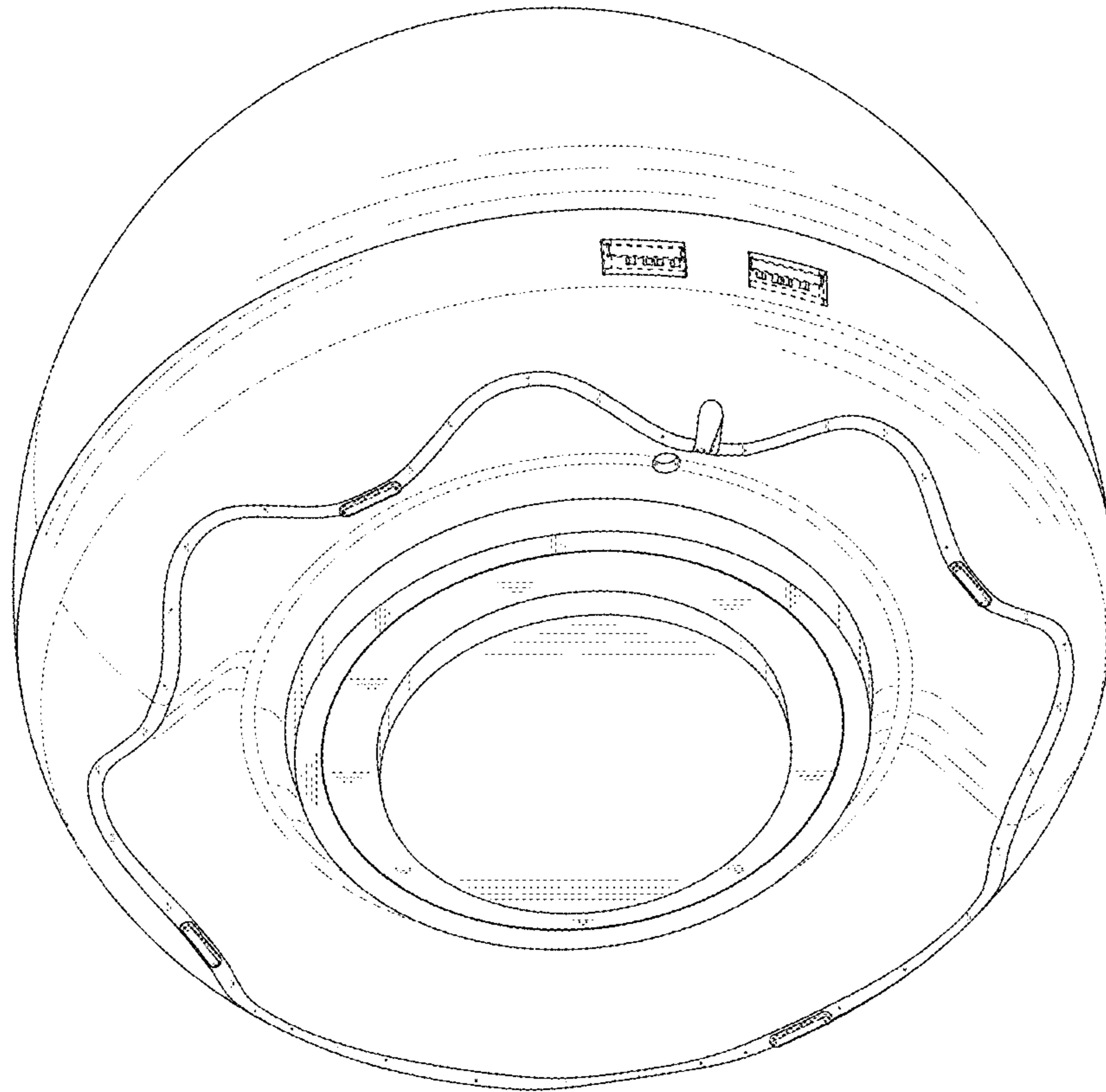


FIG. 8