



US00D884953S

(12) **United States Design Patent**
Brillaud

(10) **Patent No.:** **US D884,953 S**

(45) **Date of Patent:** **** May 19, 2020**

(54) **CONNECTED LAMP**

(71) Applicant: **DOMALYS**, Fontaine-le-Comte (FR)

(72) Inventor: **M. Arnaud Brillaud**, Smarves (FR)

(73) Assignee: **DOMALYS**, Fontaine-le-Comte (FR)

(**) Term: **15 Years**

(21) Appl. No.: **29/667,583**

(22) Filed: **Oct. 23, 2018**

(30) **Foreign Application Priority Data**

Apr. 27, 2018 (EM) 005251329-0001

(51) **LOC (12) Cl.** **26-05**

(52) **U.S. Cl.**
USPC **D26/72**

(58) **Field of Classification Search**
USPC D10/114.1; D26/1, 3, 138, 72
See application file for complete search history.

(56) **References Cited**

U.S. PATENT DOCUMENTS

D477,094 S * 7/2003 Moriyama D26/3
D513,082 S * 12/2005 Hoshikawa D26/1

D643,764 S * 8/2011 Stafford D10/114.1
D799,107 S * 10/2017 Sonneman D26/138
D806,938 S * 1/2018 Sonneman D26/138
D858,808 S * 9/2019 Klase D26/3

* cited by examiner

Primary Examiner — George D. Kirschbaum

(74) *Attorney, Agent, or Firm* — Wenderoth, Lind & Ponack, L.L.P.

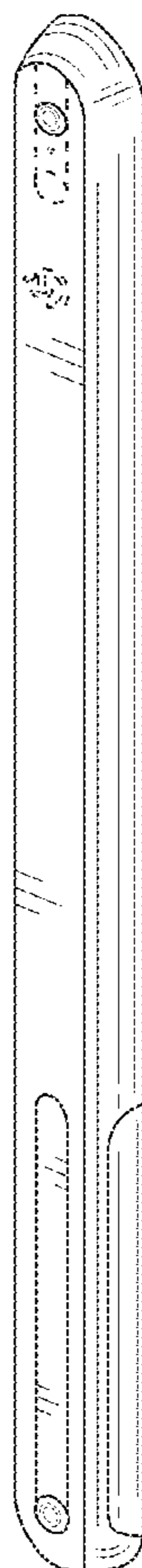
(57) **CLAIM**

The ornamental design for a connected lamp, as shown and described.

DESCRIPTION

FIG. 1 is a rear view of the design;
FIG. 2 is a front view of the design;
FIG. 3 is a left side view of the design;
FIG. 4 is a right side view of the design;
FIG. 5 is a top view of the design;
FIG. 6 is a bottom view of the design; and,
FIG. 7 is a perspective view of the design.
The figures include portions that are indicated with broken lines, and which do not form part of the claimed design.

1 Claim, 7 Drawing Sheets



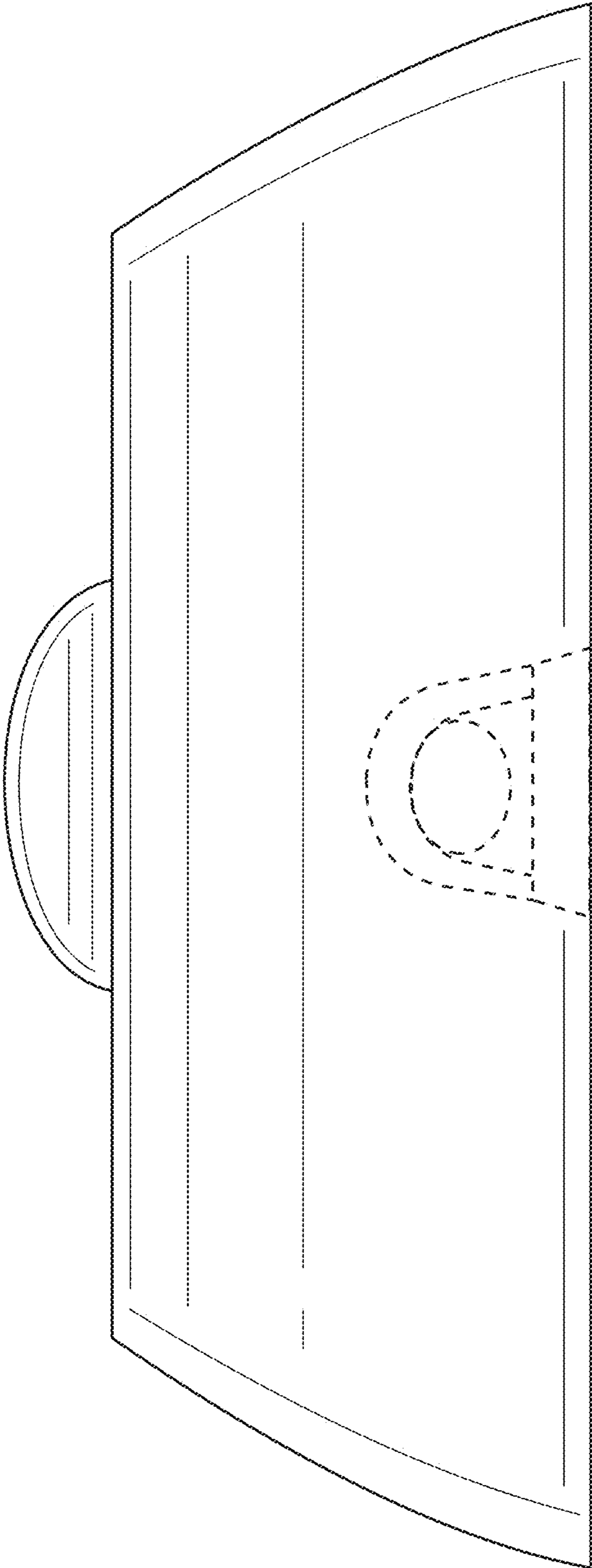


FIG. 1

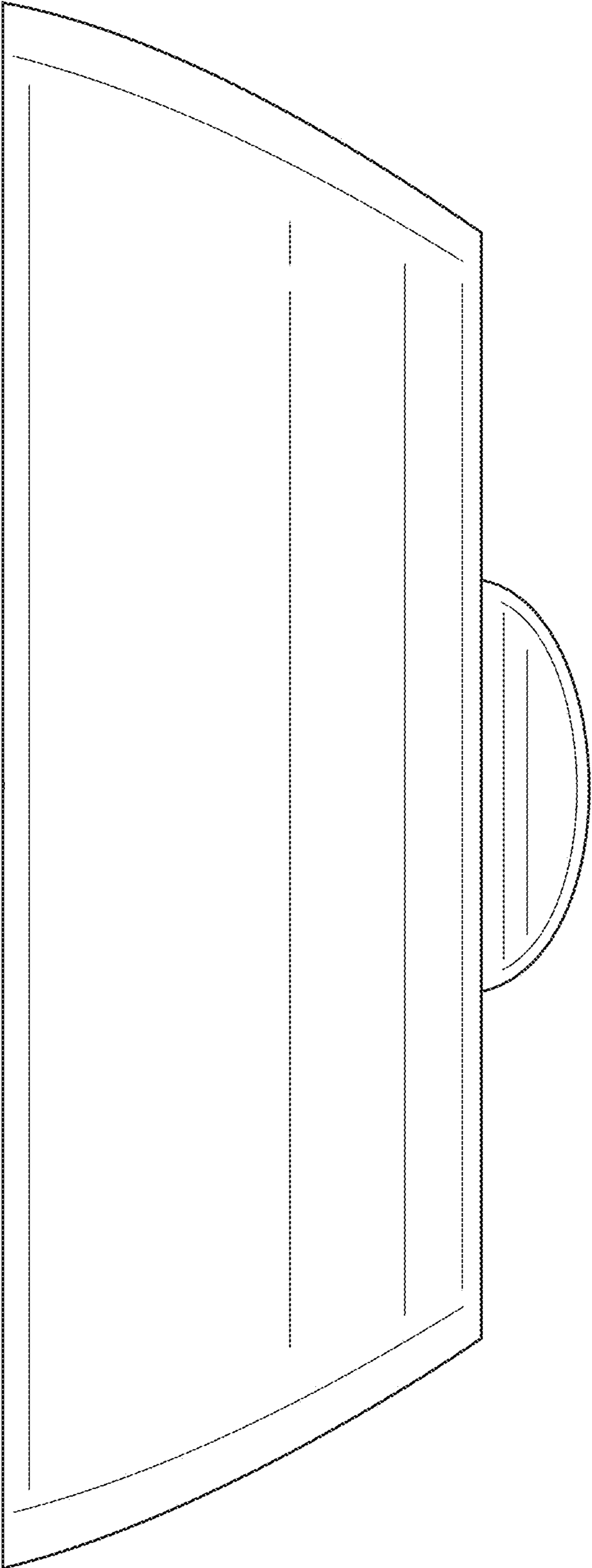


FIG. 2



FIG. 3

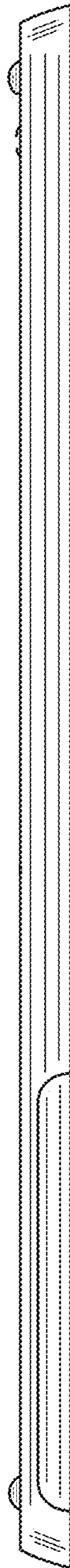


FIG. 4

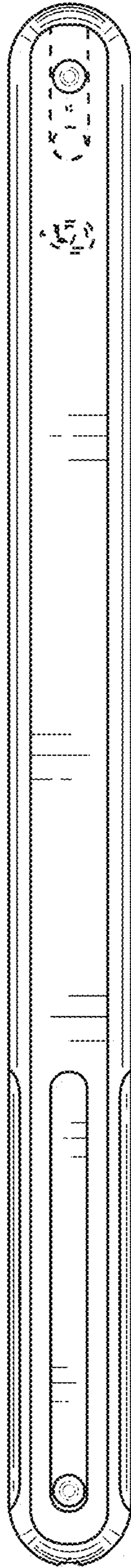


FIG. 5

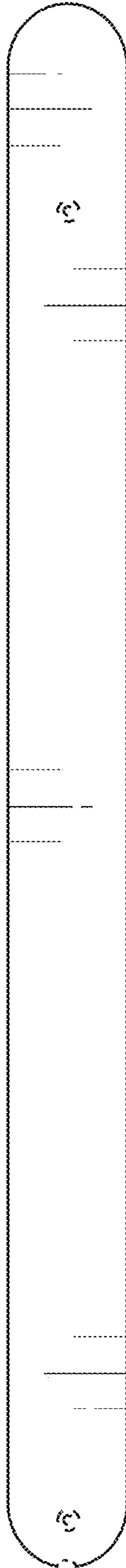


FIG. 6

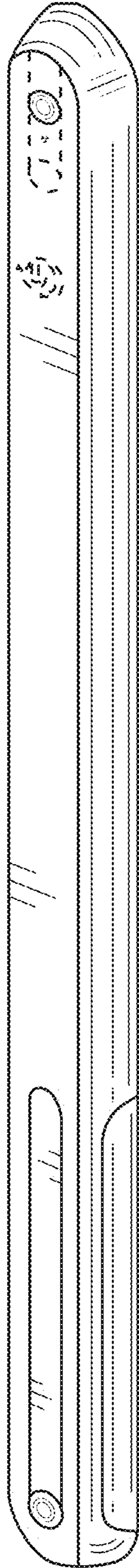


FIG. 7