



US00D884950S

(12) **United States Design Patent**
Amin

(10) **Patent No.:** **US D884,950 S**

(45) **Date of Patent:** **** May 19, 2020**

(54) **LAMP**

(71) Applicant: **ARVA, LLC**, Rock Hill, SC (US)

(72) Inventor: **Harry Amin**, Rock Hill, SC (US)

(**) Term: **15 Years**

(21) Appl. No.: **29/712,727**

(22) Filed: **Nov. 11, 2019**

Related U.S. Application Data

(62) Division of application No. 29/641,330, filed on Mar. 21, 2018, now Pat. No. Des. 866,833.

(51) **LOC (12) Cl.** **26-03**

(52) **U.S. Cl.**
USPC **D26/63**

(58) **Field of Classification Search**
USPC D26/60–66, 72, 85, 87, 92
CPC . F21K 9/00; F21V 5/007; F21V 7/005; F21V 7/0083; F21V 11/04; F21V 11/14; F21V 15/01; F21V 19/001; F21V 21/002; F21V 21/06; F21V 21/0885; F21V 21/145; F21V 21/30; F21V 33/0024; F21V 7/05
See application file for complete search history.

(56) **References Cited**

U.S. PATENT DOCUMENTS

D567,422 S	*	4/2008	Gordin	D26/63
D573,285 S	*	7/2008	Zettl	D26/63
D580,577 S	*	11/2008	Wang	D26/63
D634,871 S	*	3/2011	Wooh	D26/63

D735,384 S	*	7/2015	Ehsani	D26/63
D767,191 S	*	9/2016	DeMaio	D26/63
D789,581 S	*	6/2017	Peard	D26/61
D815,769 S	*	4/2018	Gong	D26/63
D818,171 S	*	5/2018	Brynjolfsson	D26/63
D825,806 S	*	8/2018	Jurik	D26/63
D825,829 S	*	8/2018	Guo	D26/63
D838,398 S	*	1/2019	Joye	D26/63

* cited by examiner

Primary Examiner — Brian N. Vinson

(74) *Attorney, Agent, or Firm* — Taylor English Duma LLP

(57) **CLAIM**

The ornamental design for a lamp, as shown and described.

DESCRIPTION

FIG. 1 is a front perspective view of a lamp showing my new design.

FIG. 2 is a rear perspective view of the lamp as shown in FIG. 1 showing my new design.

FIG. 3 is a front elevation view of the lamp as shown in FIG. 1 showing my new design.

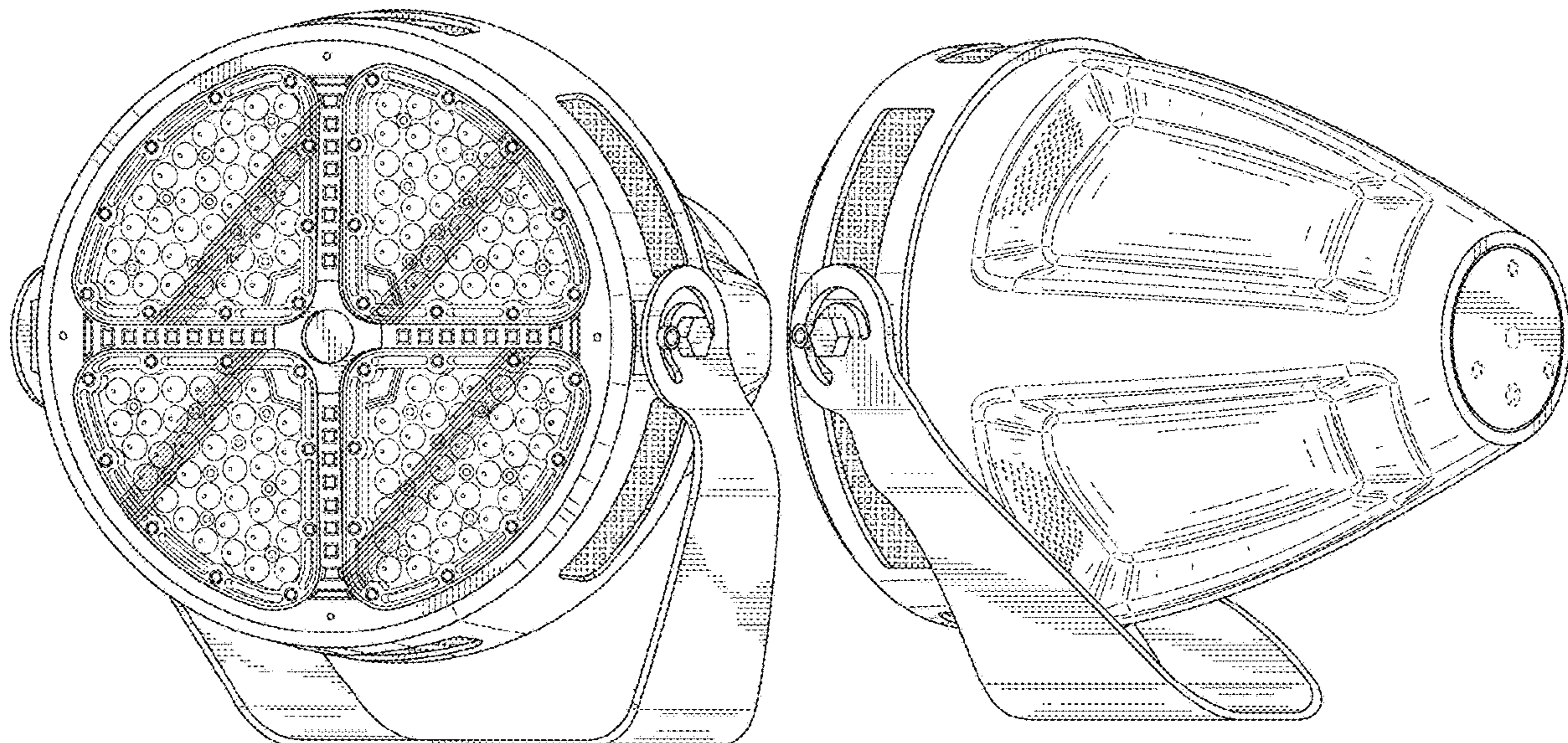
FIG. 4 is a rear elevation view of the lamp as shown in FIG. 1 showing my new design.

FIG. 5 is a left side elevation view of the lamp as shown in FIG. 1 showing my new design, the right side elevation view being a mirror image thereof.

FIG. 6 is a top plan view of the lamp as shown in FIG. 1 showing my new design; and,

FIG. 7 is a bottom plan view of the lamp as shown in FIG. 1 showing my new design.

1 Claim, 7 Drawing Sheets



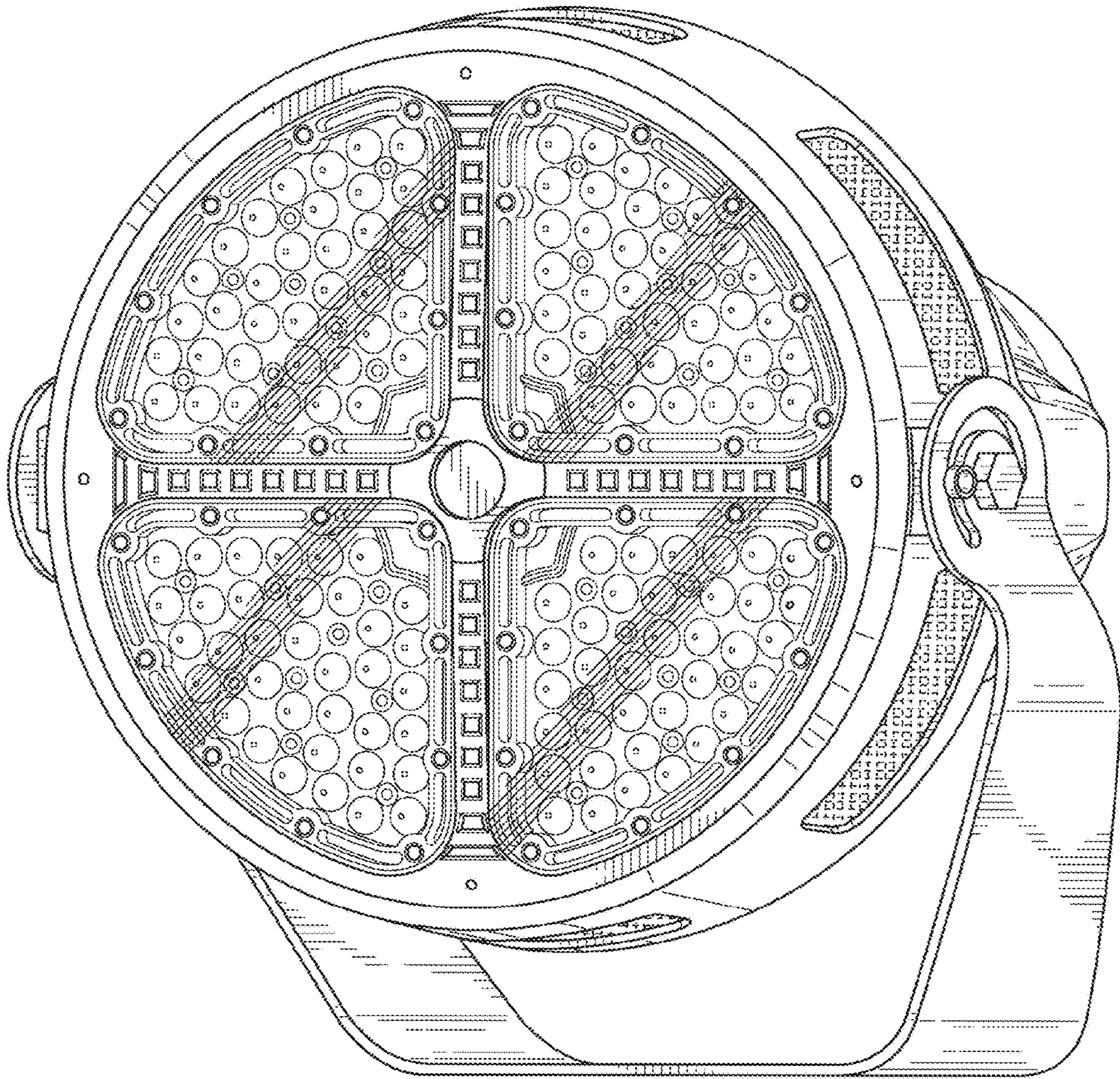


FIG. 1

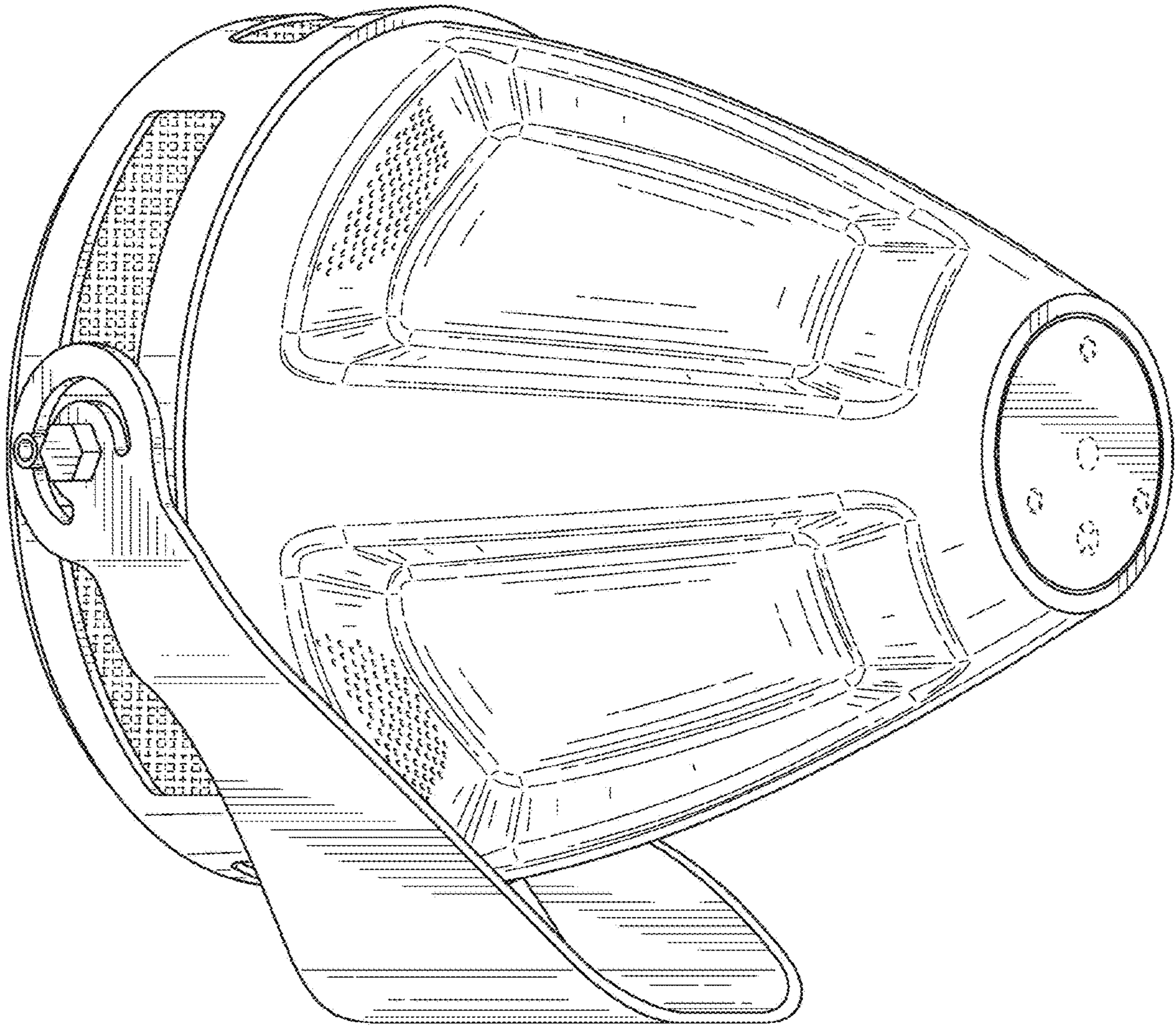


FIG. 2

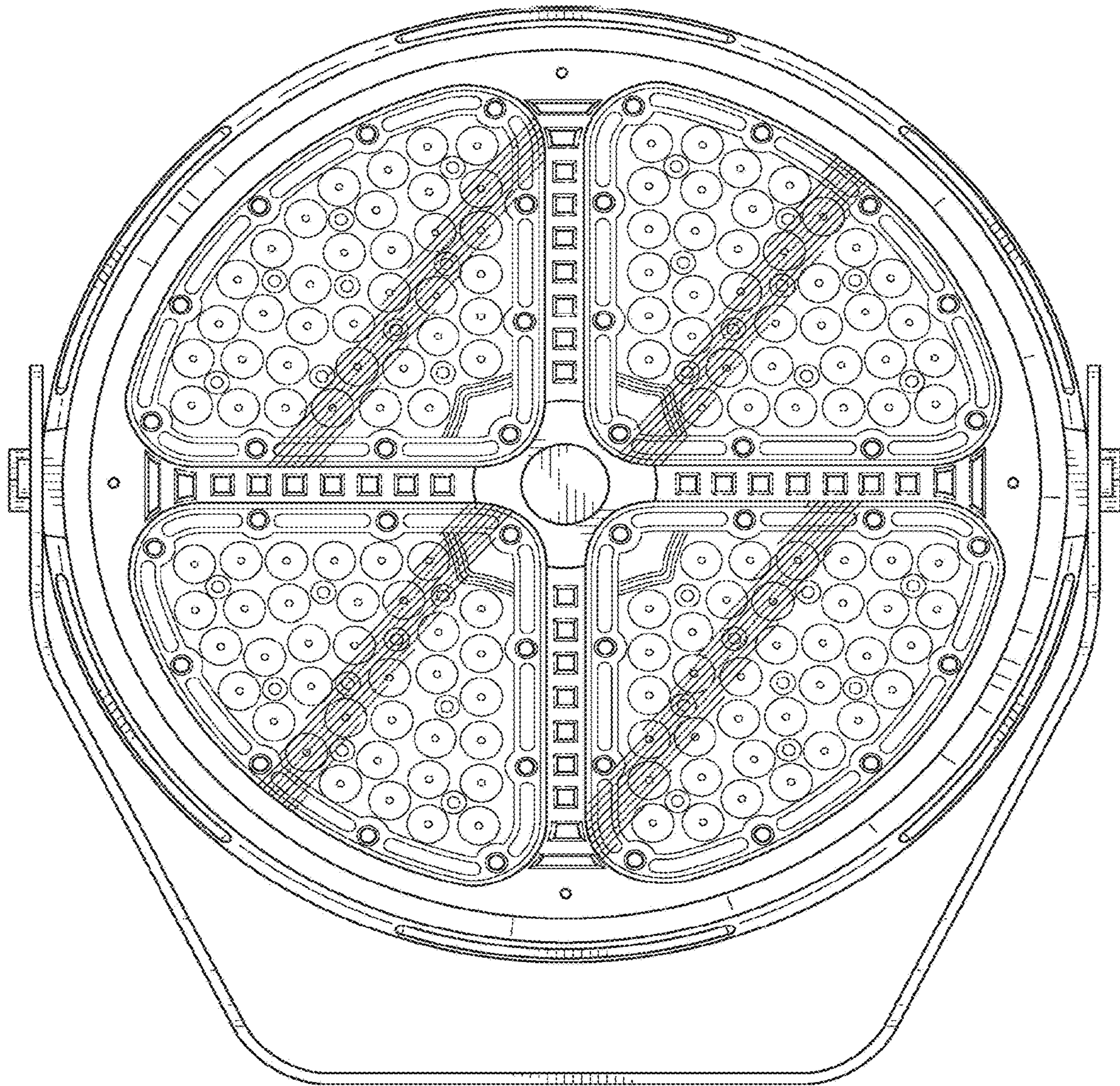


FIG. 3

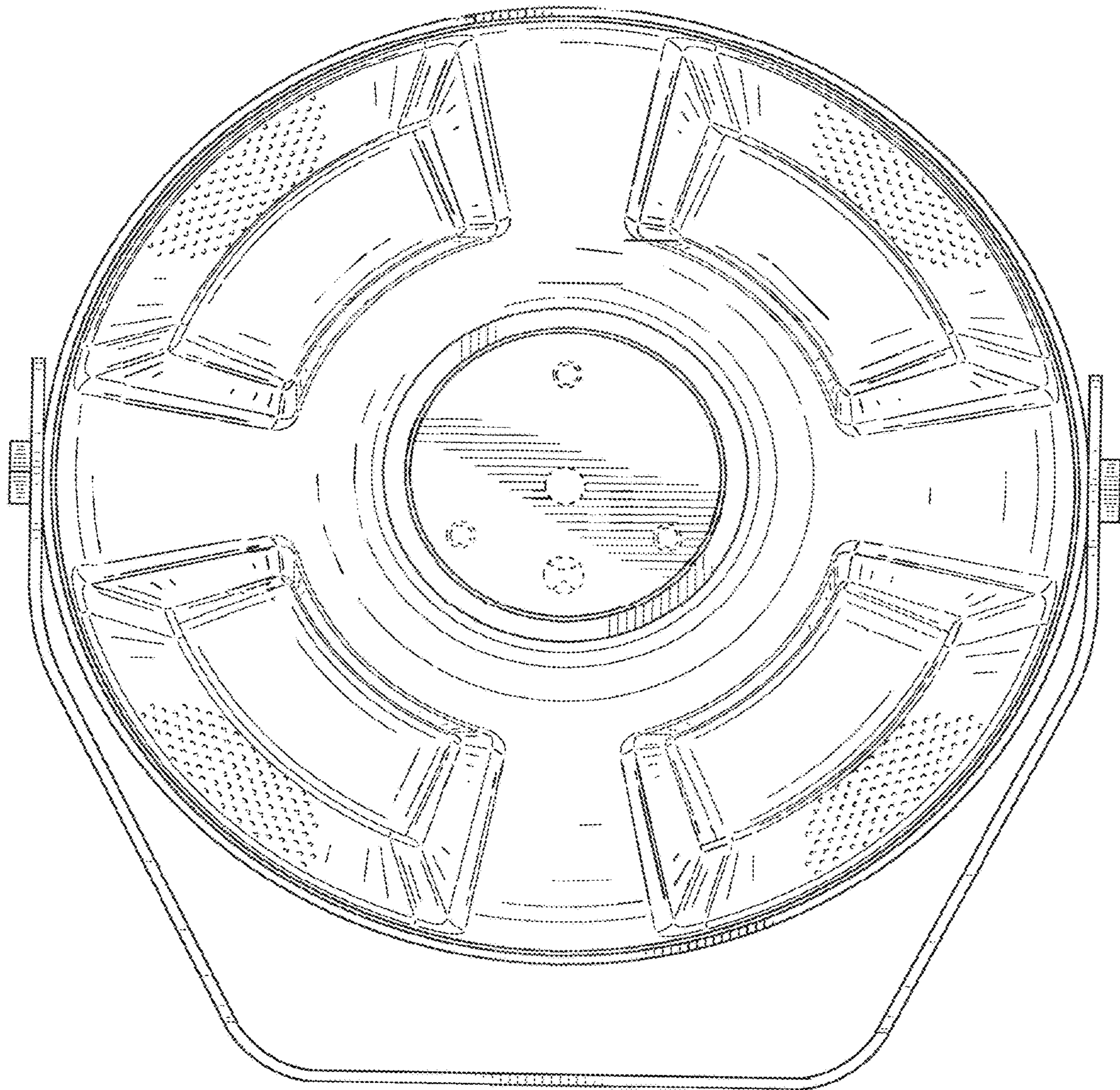


FIG. 4

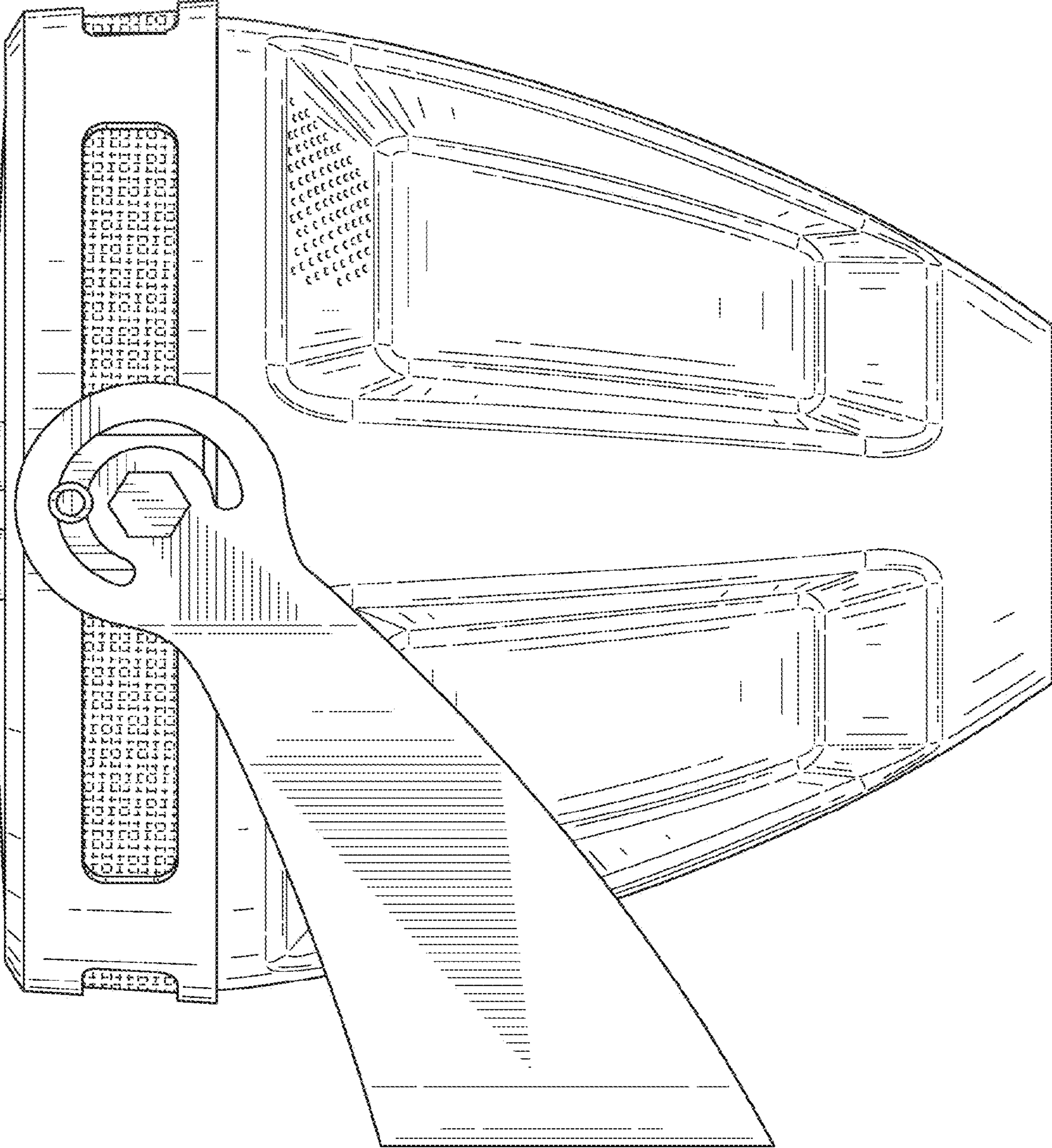


FIG. 5

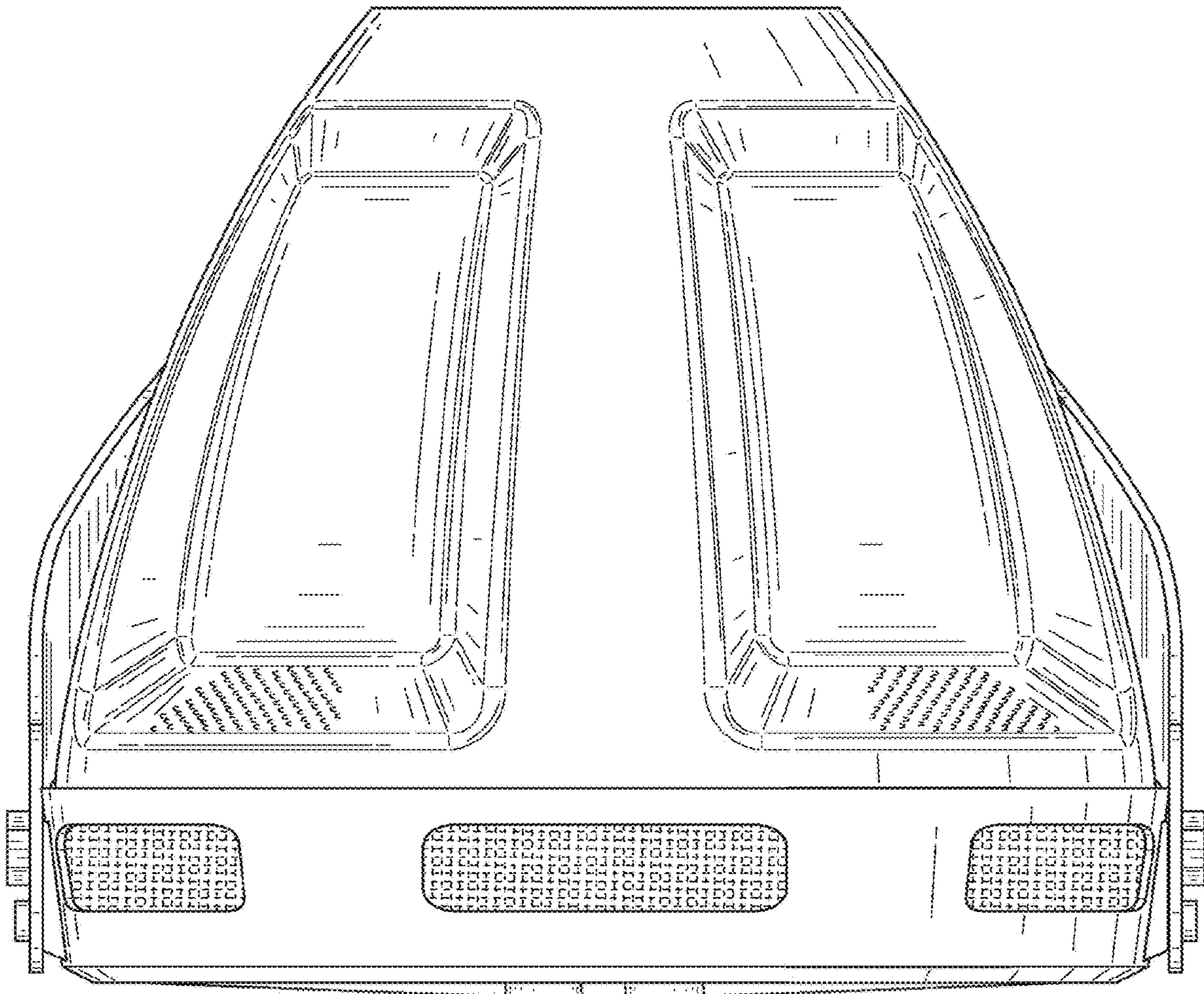


FIG. 6

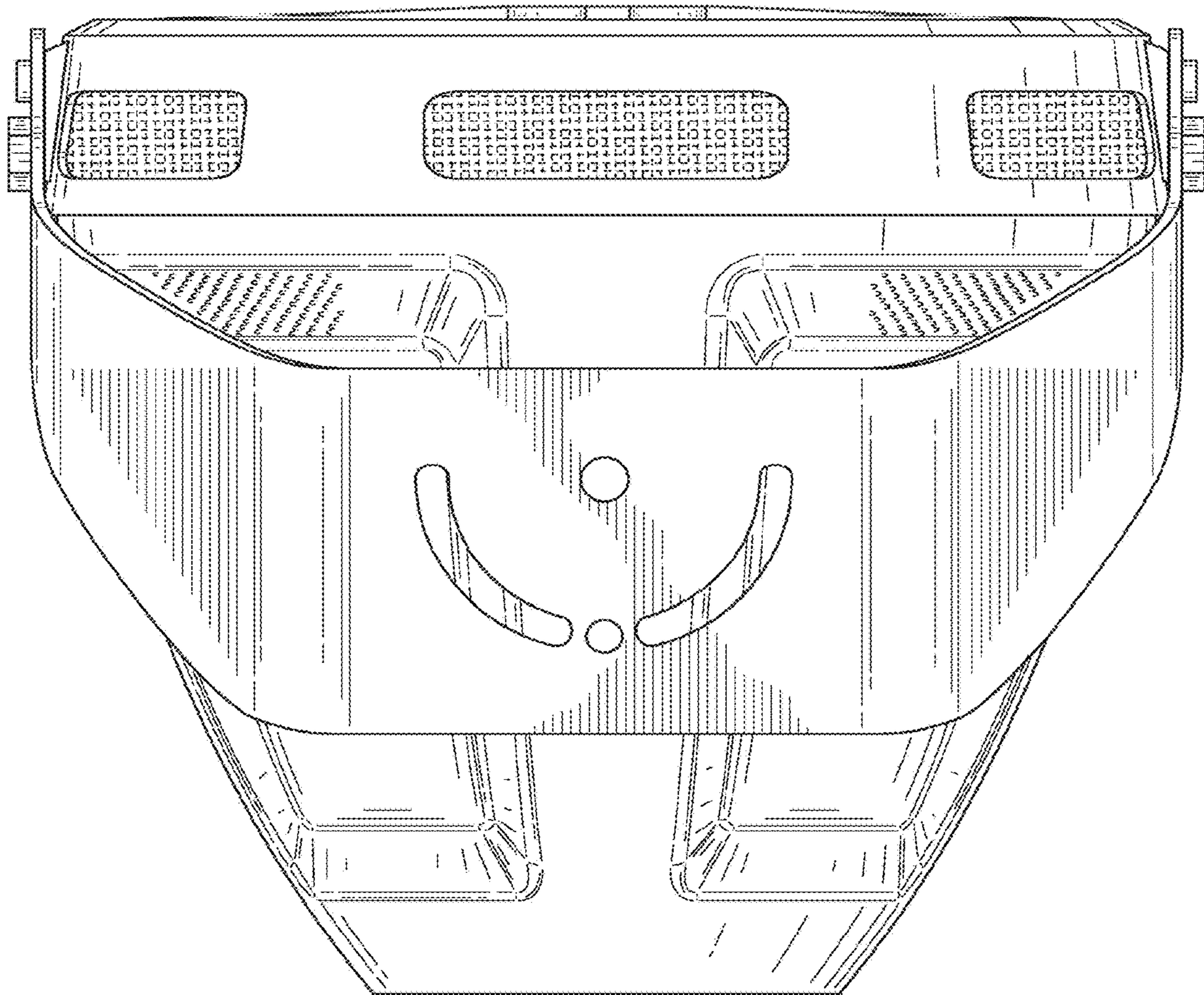


FIG. 7