



US00D884948S

(12) **United States Design Patent**
Yang

(10) **Patent No.:** **US D884,948 S**

(45) **Date of Patent:** **** May 19, 2020**

(54) **LED WORK LIGHT**

(71) Applicant: **Guangzhou North and South Lighting Technology Co., Ltd.**, Guangdong (CN)

(72) Inventor: **Yanyan Yang**, Guangdong (CN)

(**) Term: **15 Years**

(21) Appl. No.: **29/650,134**

(22) Filed: **Jun. 5, 2018**

(51) **LOC (12) Cl.** **26-03**

(52) **U.S. Cl.**
USPC **D26/63**

(58) **Field of Classification Search**
USPC D26/1, 24, 61, 63, 65, 85, 92
CPC F21V 21/14; F21V 15/01; F21V 14/02;
F21V 21/30; F21V 21/00; F21V 14/00;
F21S 8/00; F21S 8/003; F21S 8/043;
F21Y 2105/001

See application file for complete search history.

(56) **References Cited**

U.S. PATENT DOCUMENTS

D562,486 S * 2/2008 Luke D26/61
D572,856 S * 7/2008 Kehl D26/61

D573,285 S * 7/2008 Zettl D26/63
D694,928 S * 12/2013 Chen D26/63
D698,473 S * 1/2014 Korpi D26/63
D698,477 S * 1/2014 Korpi D26/63
D739,064 S * 9/2015 Heiner D26/63
D805,670 S * 12/2017 Madril D26/63
D861,202 S * 9/2019 Renvall D26/28

* cited by examiner

Primary Examiner — Brian N. Vinson

(74) *Attorney, Agent, or Firm* — Prakash Nama; Global IP Services, PLLC

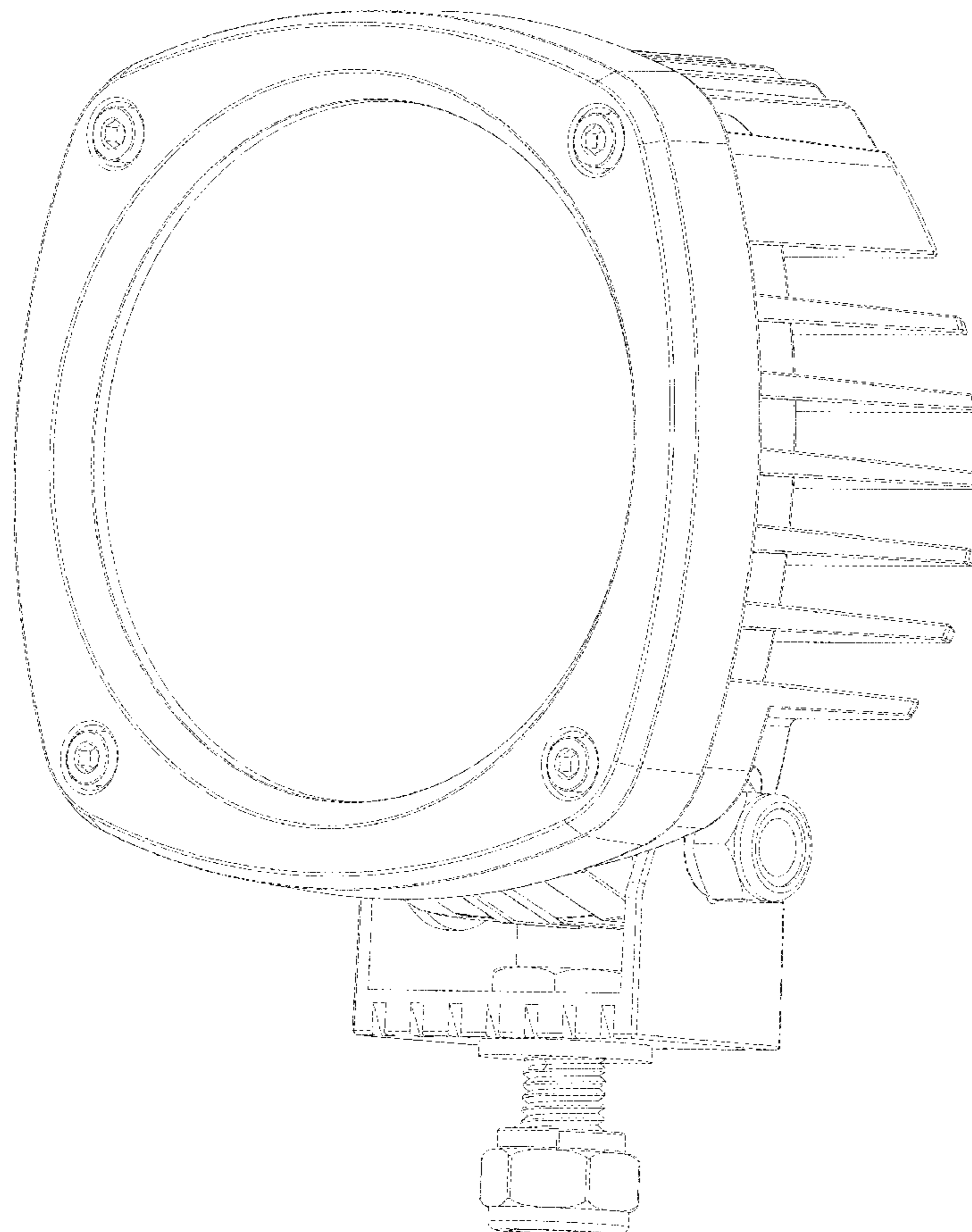
(57) **CLAIM**

The ornamental design for a LED work light, as shown.

DESCRIPTION

FIG. 1 is a front elevational view of a LED work light showing my new design;
FIG. 2 is a rear elevational view in reduce scale thereof;
FIG. 3 is a left side view in enlarge scale thereof;
FIG. 4 is a right side view in enlarge scale thereof;
FIG. 5 is a top plan view in reduce scale thereof;
FIG. 6 is a bottom plan view in reduce scale thereof; and,
FIG. 7 is a perspective view thereof.

1 Claim, 7 Drawing Sheets



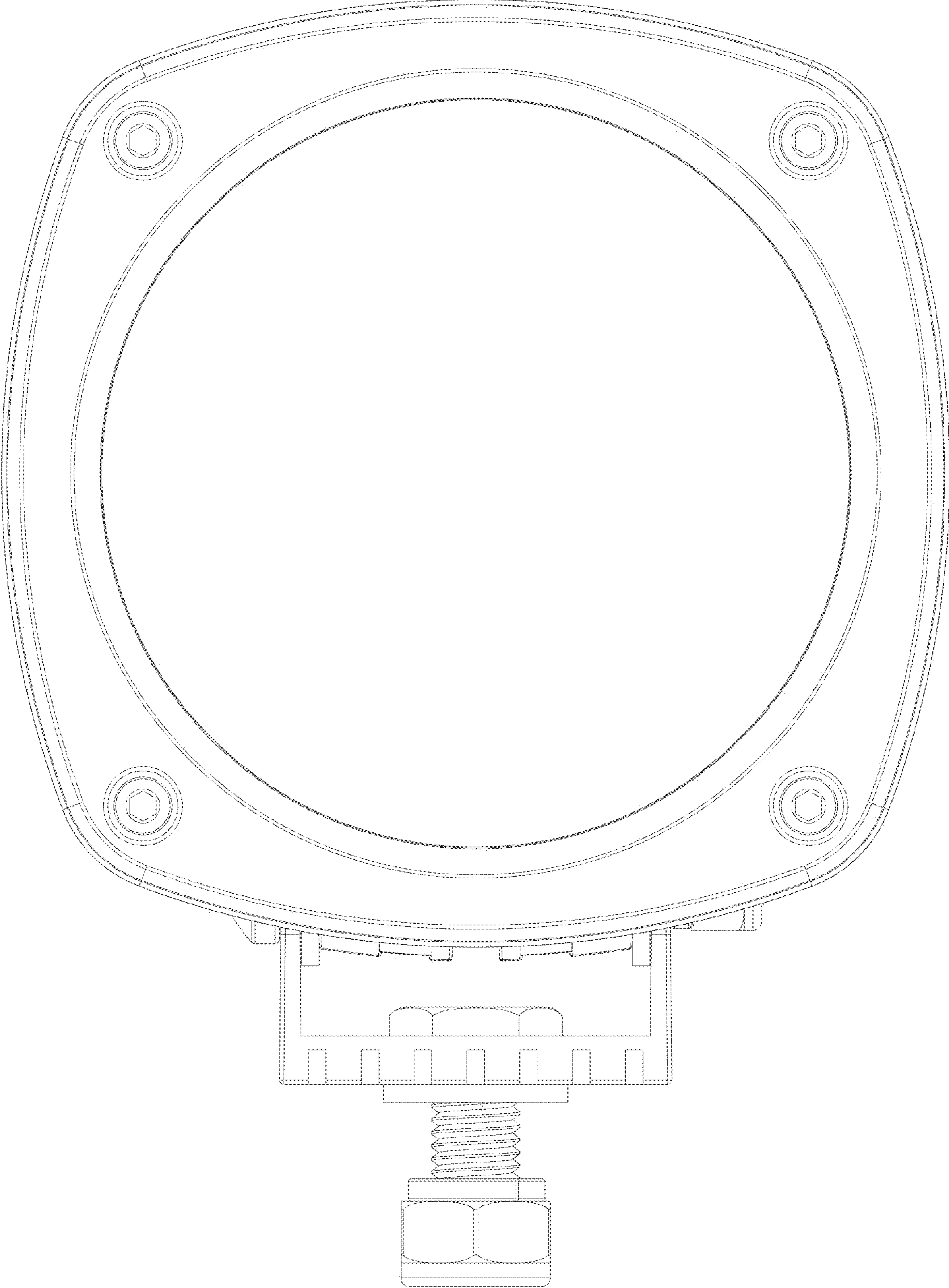


Fig. 1

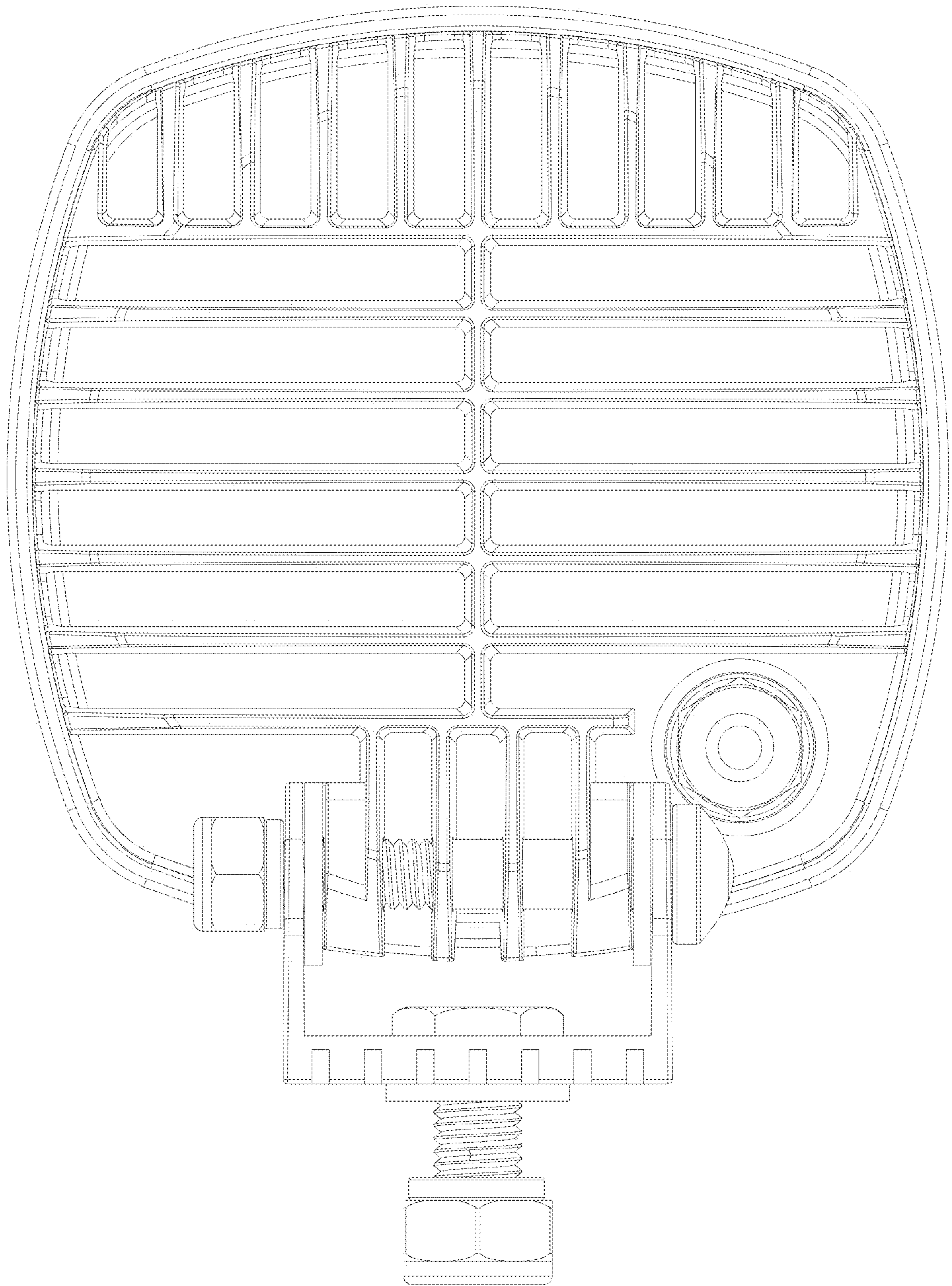


Fig. 2

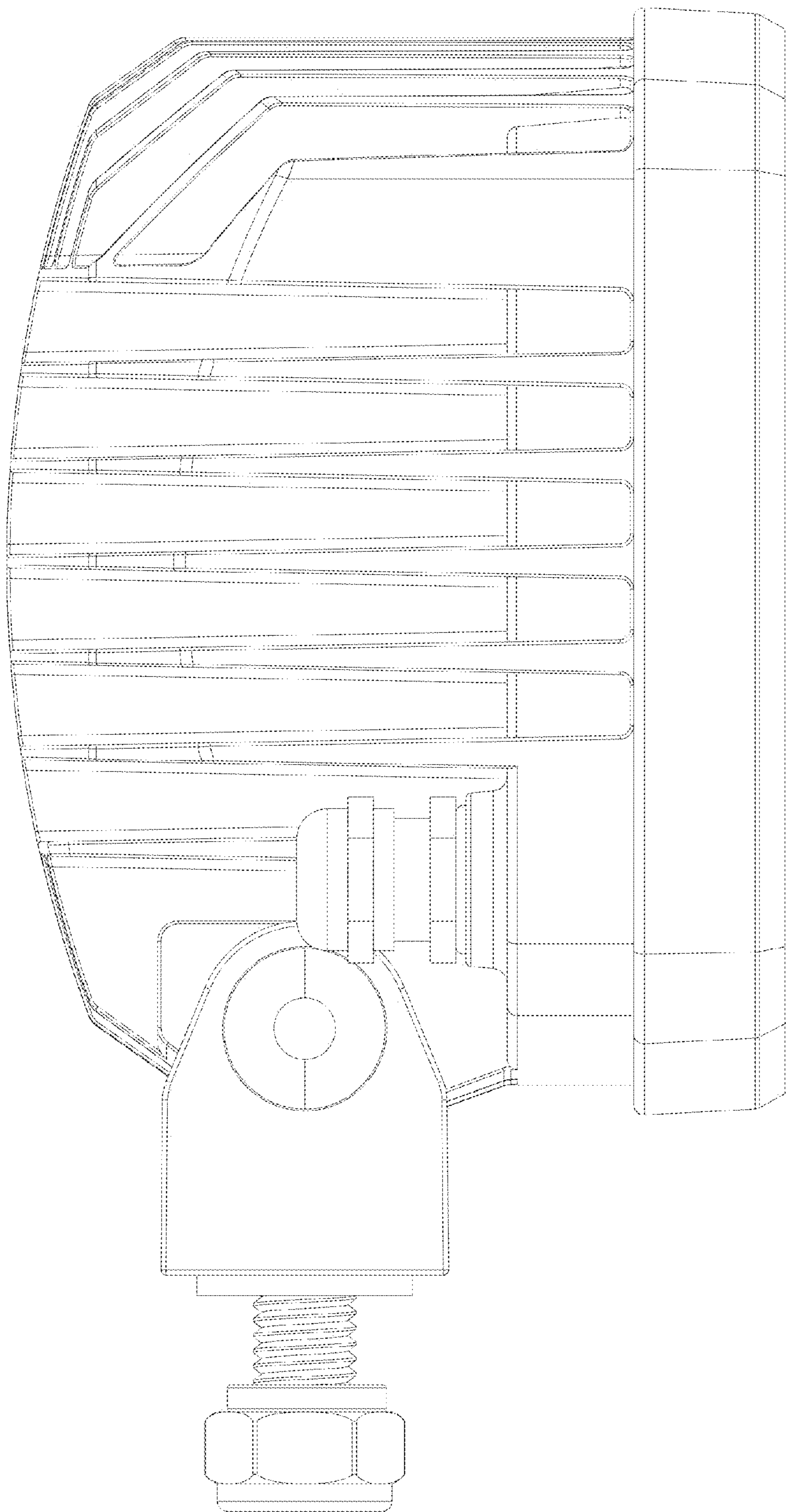


Fig. 3

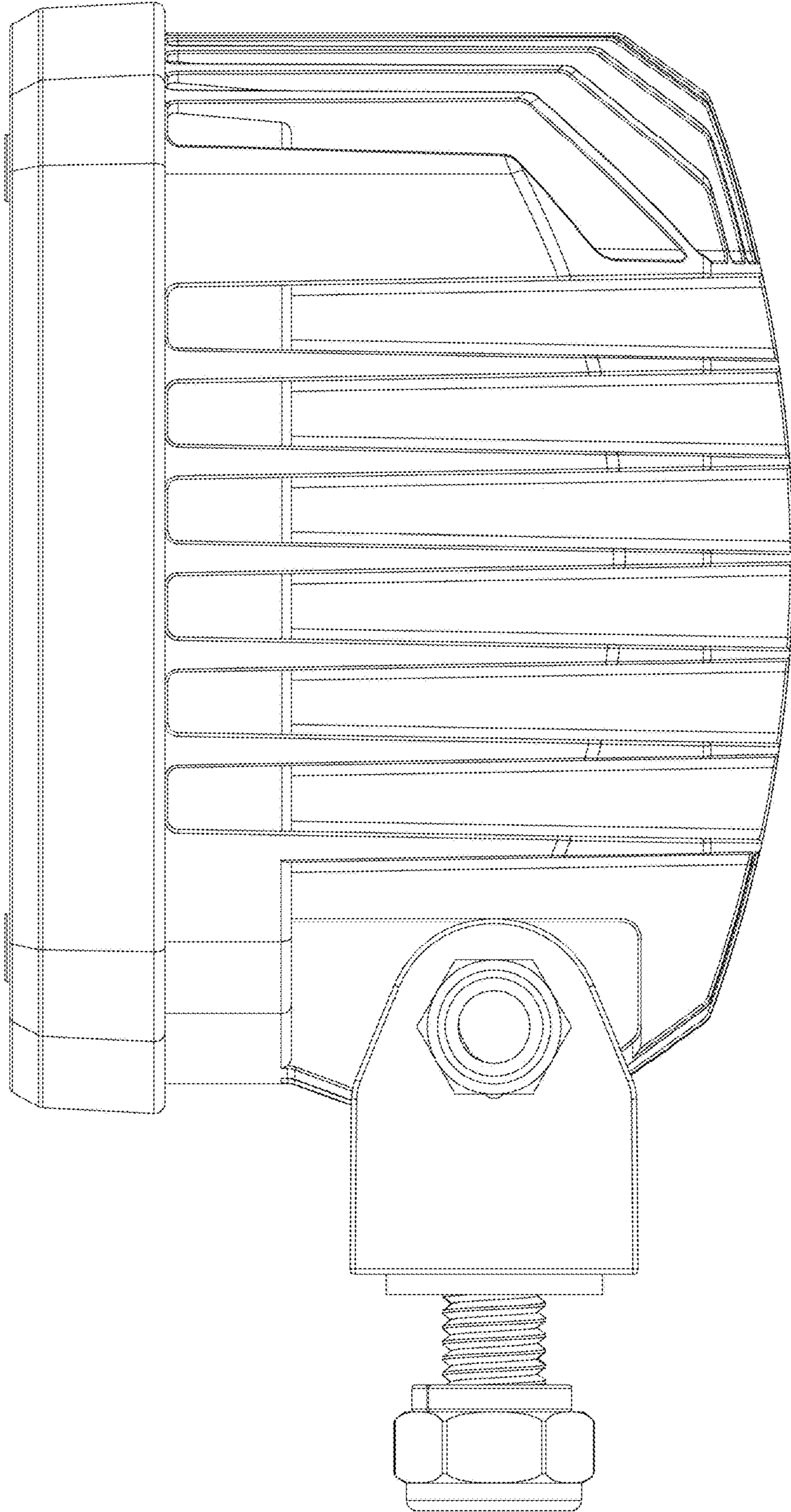


Fig. 4

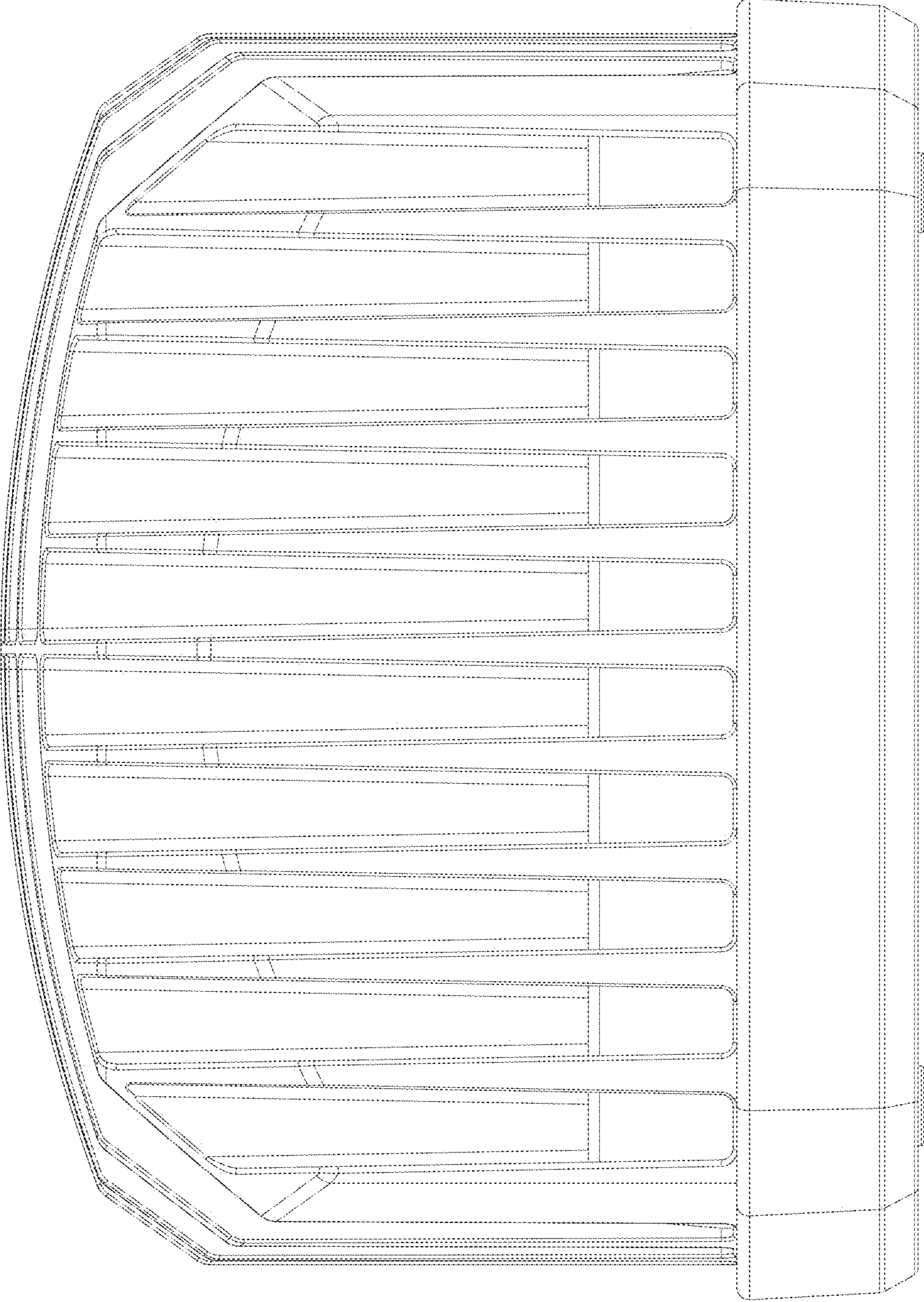


Fig. 5

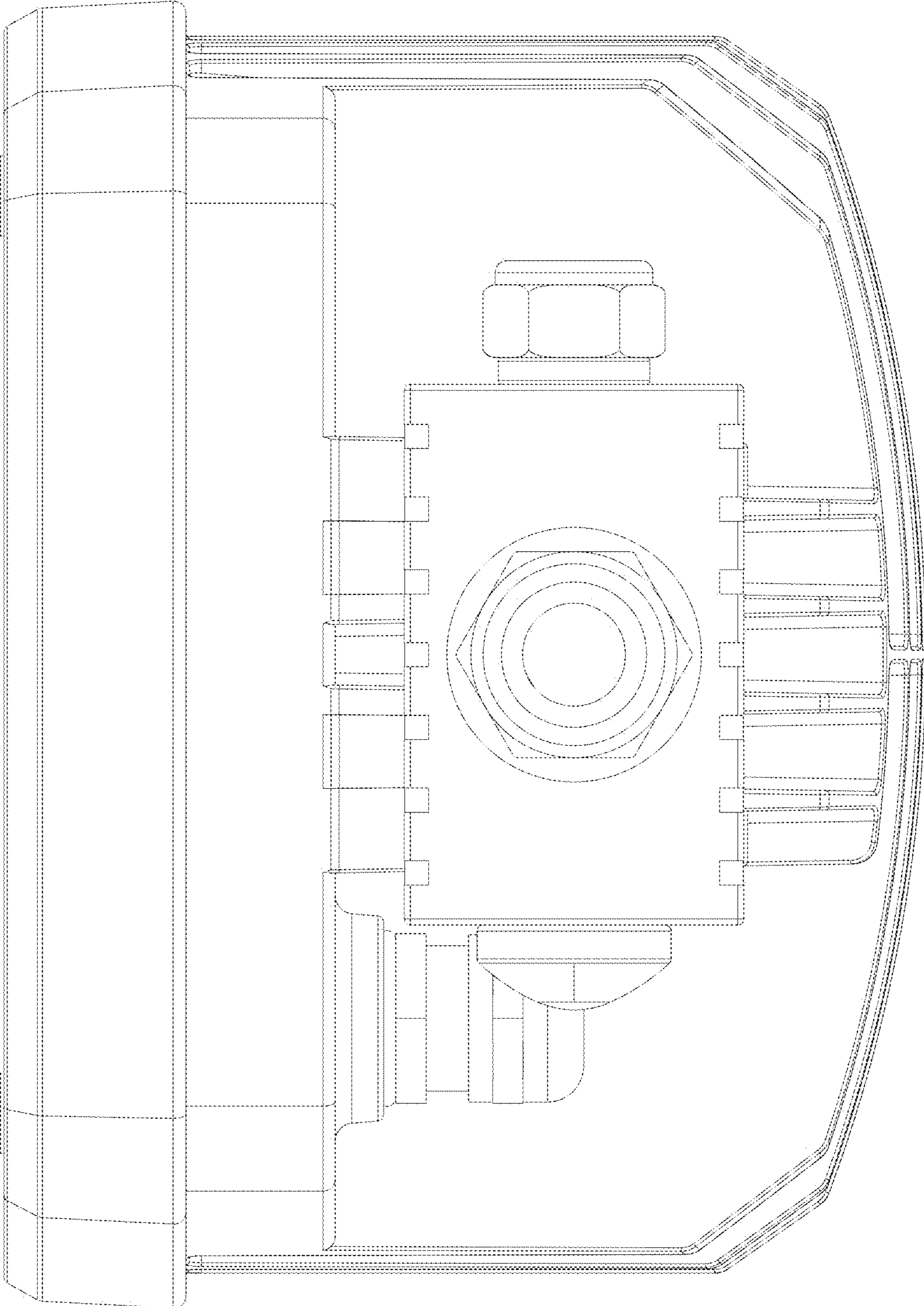


Fig. 6

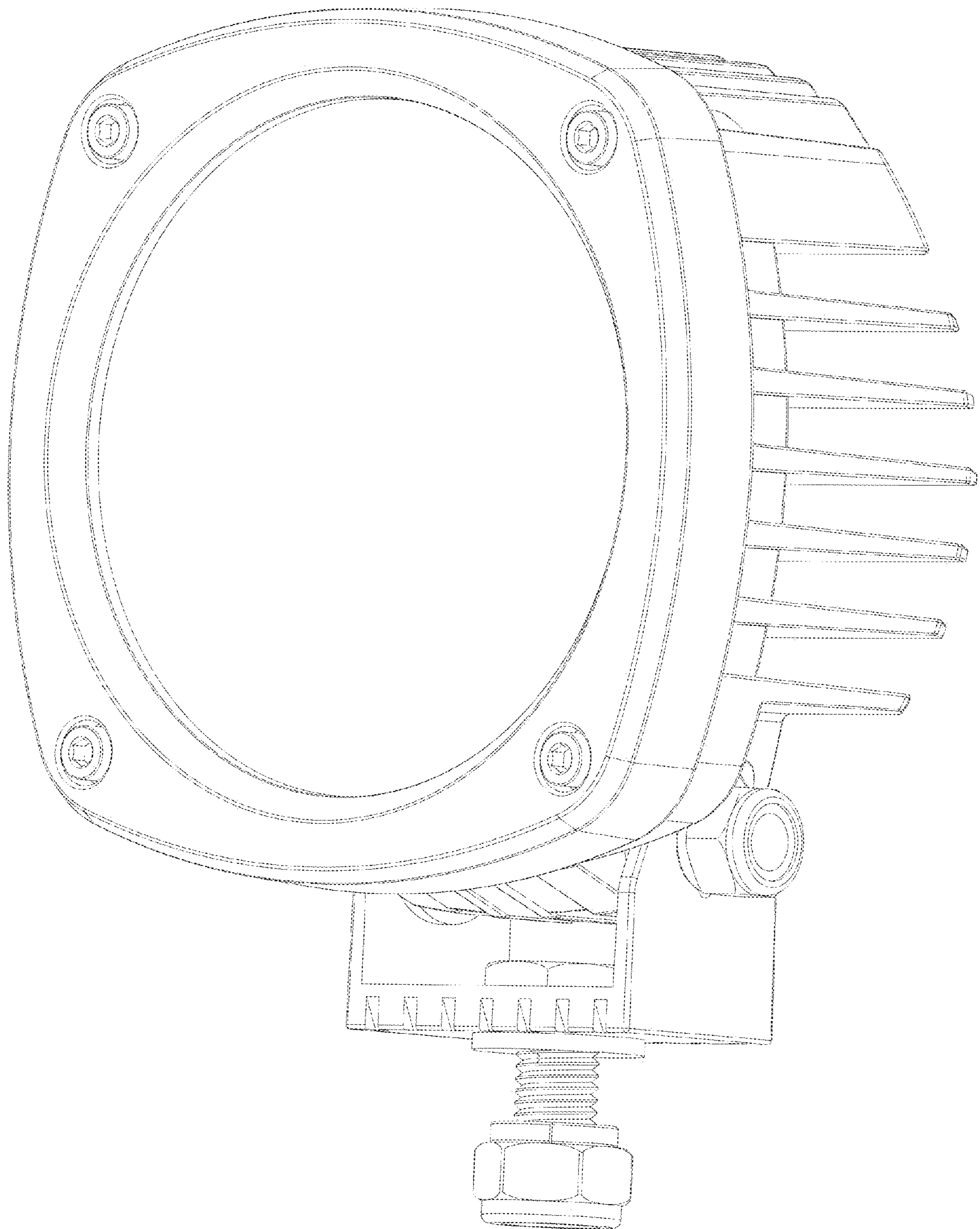


Fig. 7