



US00D884947S

(12) **United States Design Patent**
Tang et al.

(10) **Patent No.:** **US D884,947 S**

(45) **Date of Patent:** **** May 19, 2020**

(54) **LED LIGHT**

(71) Applicant: **Xianshi Tang**, Foshan (CN)

(72) Inventors: **Xianshi Tang**, Guangzhou (CN); **Yu Zhu**, Guangzhou (CN); **Changsheng Liu**, Guangzhou (CN); **Guiping Huang**, Guangzhou (CN)

(73) Assignee: **Xianshi Tang**, Foshan (CN)

(**) Term: **15 Years**

(21) Appl. No.: **29/642,524**

(22) Filed: **Mar. 30, 2018**

(51) **LOC (12) Cl.** **26-03**

(52) **U.S. Cl.**
USPC **D26/60**

(58) **Field of Classification Search**
USPC ... D26/1, 24, 28, 37, 39, 41, 42, 44, 50, 60, D26/61, 85, 102, 113, 138-140
CPC B26J 6/00; B26J 6/02; F21L 4/00; F21L 4/02; F21L 4/04; F21L 4/08; F21V 7/00; F21V 21/00; F21V 21/08; F41G 1/35; H02J 7/00; H02J 7/02; H04N 5/225
See application file for complete search history.

(56) **References Cited**

U.S. PATENT DOCUMENTS

| | | | | |
|--------------|---------|--------------|-------|---------|
| D237,402 S * | 10/1975 | Leung et al. | | D26/85 |
| D324,743 S * | 3/1992 | Prosser | | D26/113 |
| D362,312 S * | 9/1995 | Chen | | D26/39 |
| D366,947 S * | 2/1996 | Brown | | D26/37 |
| D577,836 S * | 9/2008 | Engebrigtsen | | D26/24 |
| D667,152 S * | 9/2012 | Hamasaki | | D26/28 |
| D679,038 S * | 3/2013 | Hamasaki | | D26/28 |
| D740,989 S * | 10/2015 | Vasquez | | D26/63 |
| D757,964 S * | 5/2016 | Eagleman | | D26/28 |
| D764,088 S * | 8/2016 | Salmon | | D26/29 |
| D765,294 S * | 8/2016 | Li | | D26/37 |

(Continued)

OTHER PUBLICATIONS

Cycle Torch Bolt Combo, dated Jun. 13, 2017, [online], [site visited Jun. 6, 2019]. Available from Internet, URL: <https://cycletorch.com/product/bolt-duo-usb-rechargeable-front-and-tail-light-combo.aspx#ca0026a2-5283-4051-904c-980c4b5101f1> (Year: 2017).*

Primary Examiner — Angela J Lee

Assistant Examiner — Shawn T Gingrich

(74) *Attorney, Agent, or Firm* — JMB Davis Ben-David

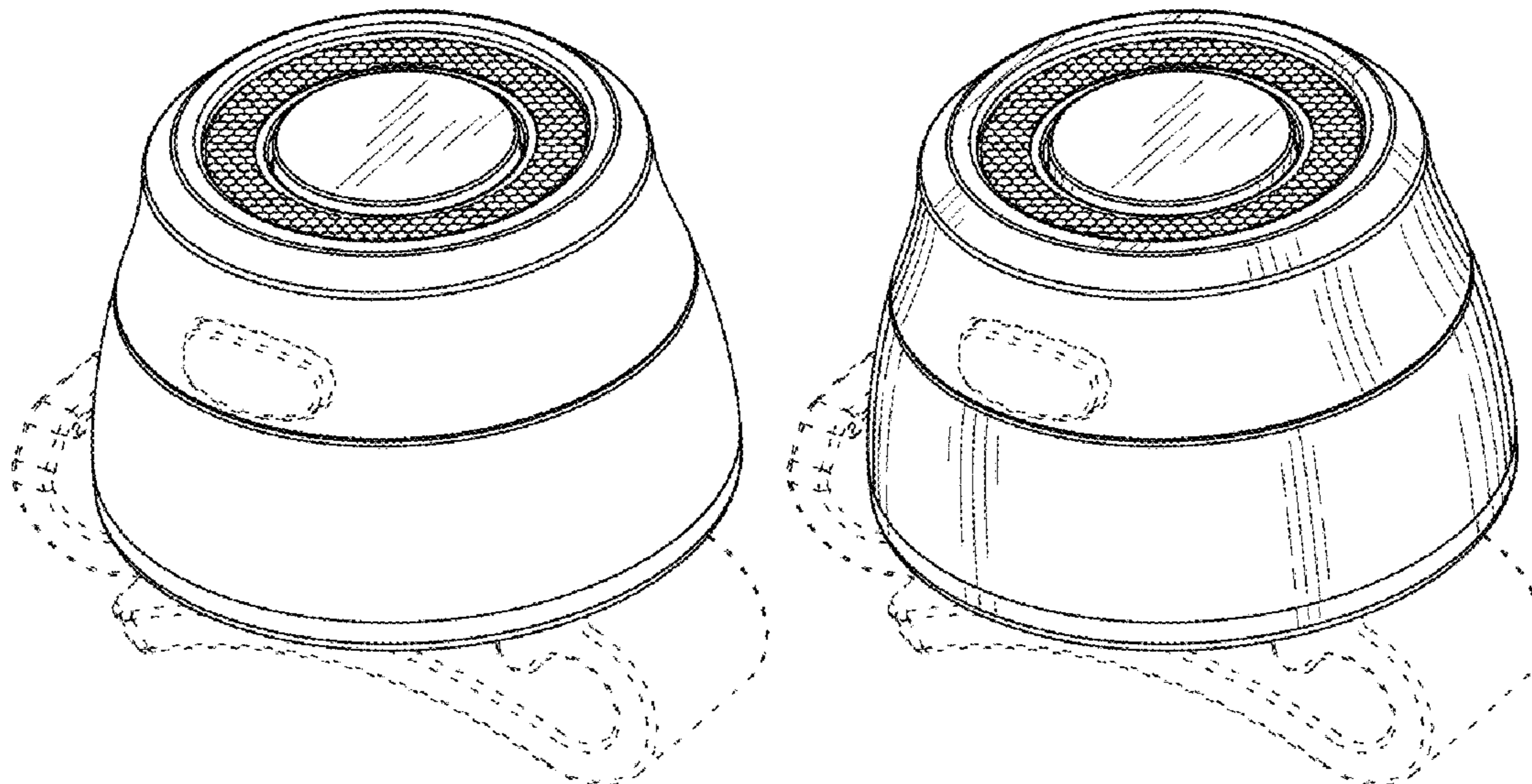
(57) **CLAIM**

The ornamental design for a LED light, as shown and described.

DESCRIPTION

FIG. 1 shows a front view of a LED light showing our new design;
FIG. 2 is a rear view thereof;
FIG. 3 is a left-side view thereof;
FIG. 4 is a right-side view thereof;
FIG. 5 is a top view thereof;
FIG. 6 is a bottom view thereof;
FIG. 7 is a perspective view thereof;
FIG. 8 is a second perspective view thereof;
FIG. 9 is front view thereof, showing contour shading;
FIG. 10 is a rear view thereof, showing contour shading;
FIG. 11 is a left-side view thereof, showing contour shading;
FIG. 12 is a right-side view thereof, showing contour shading;
FIG. 13 is a top view thereof, showing contour shading;
FIG. 14 is a bottom view thereof, showing contour shading;
FIG. 15 is a perspective view thereof, showing contour shading; and,
FIG. 16 is a second perspective view thereof, showing contour shading.
The broken lines in the drawings depict portions of the LED light that form no part of the claimed design.

1 Claim, 16 Drawing Sheets



(56)

References Cited

U.S. PATENT DOCUMENTS

| | | | |
|-------------------|---------|--------------|-----------|
| D789,571 S * | 6/2017 | Sauzay | D26/28 |
| 2009/0268436 A1 * | 10/2009 | Taiga | B62J 6/00 |
| | | | 362/158 |

* cited by examiner

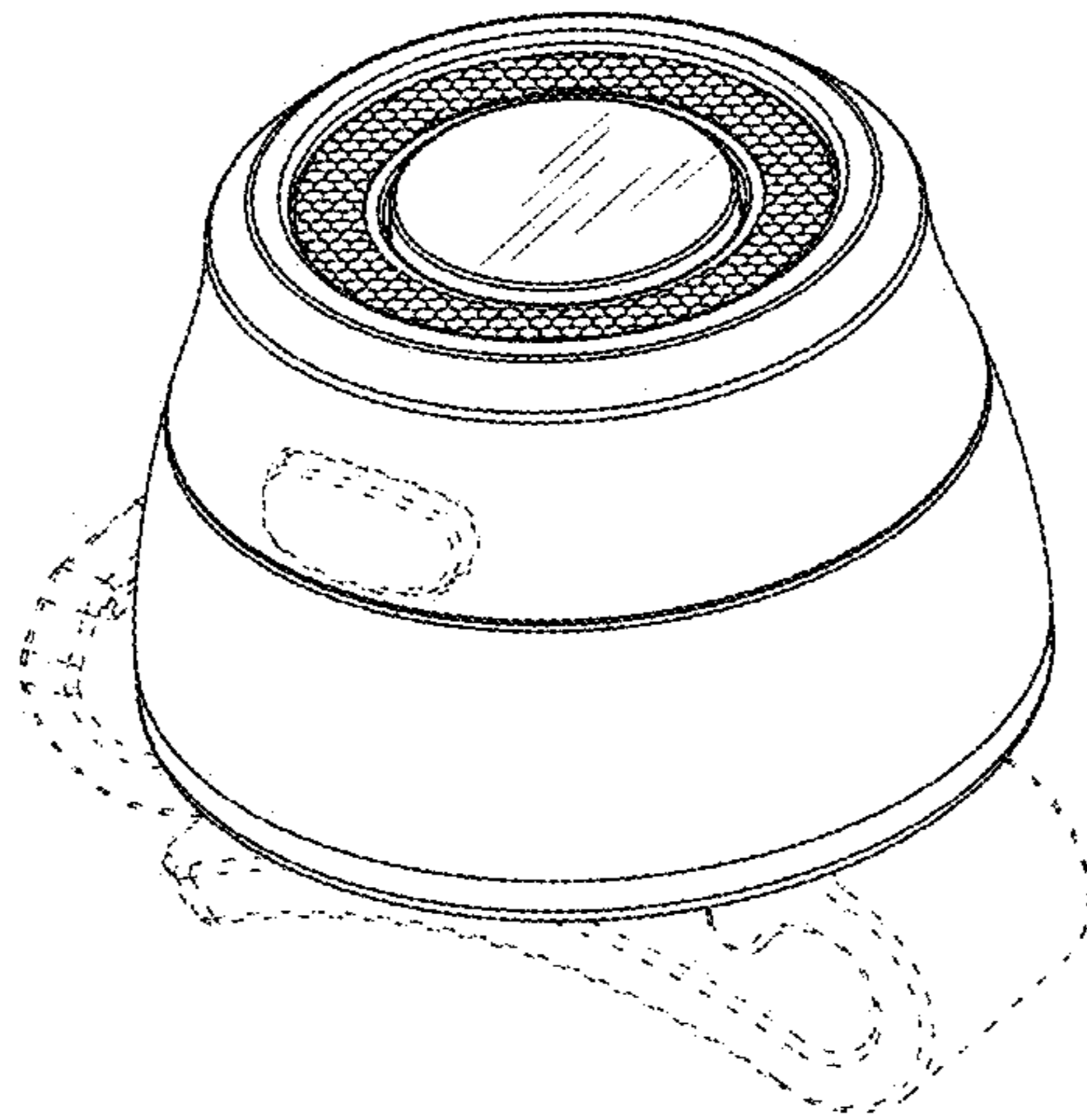


FIG. 1

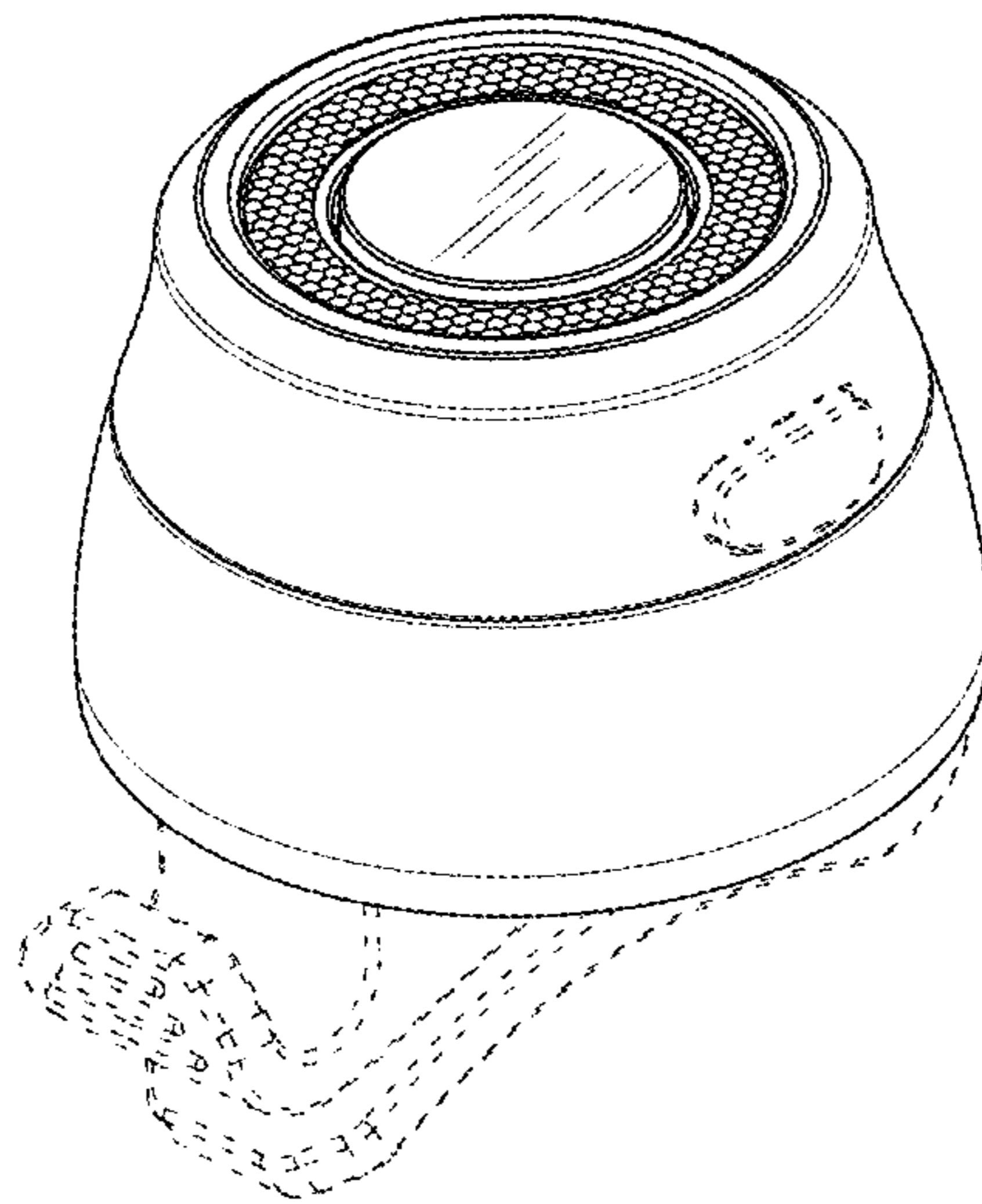


FIG. 2

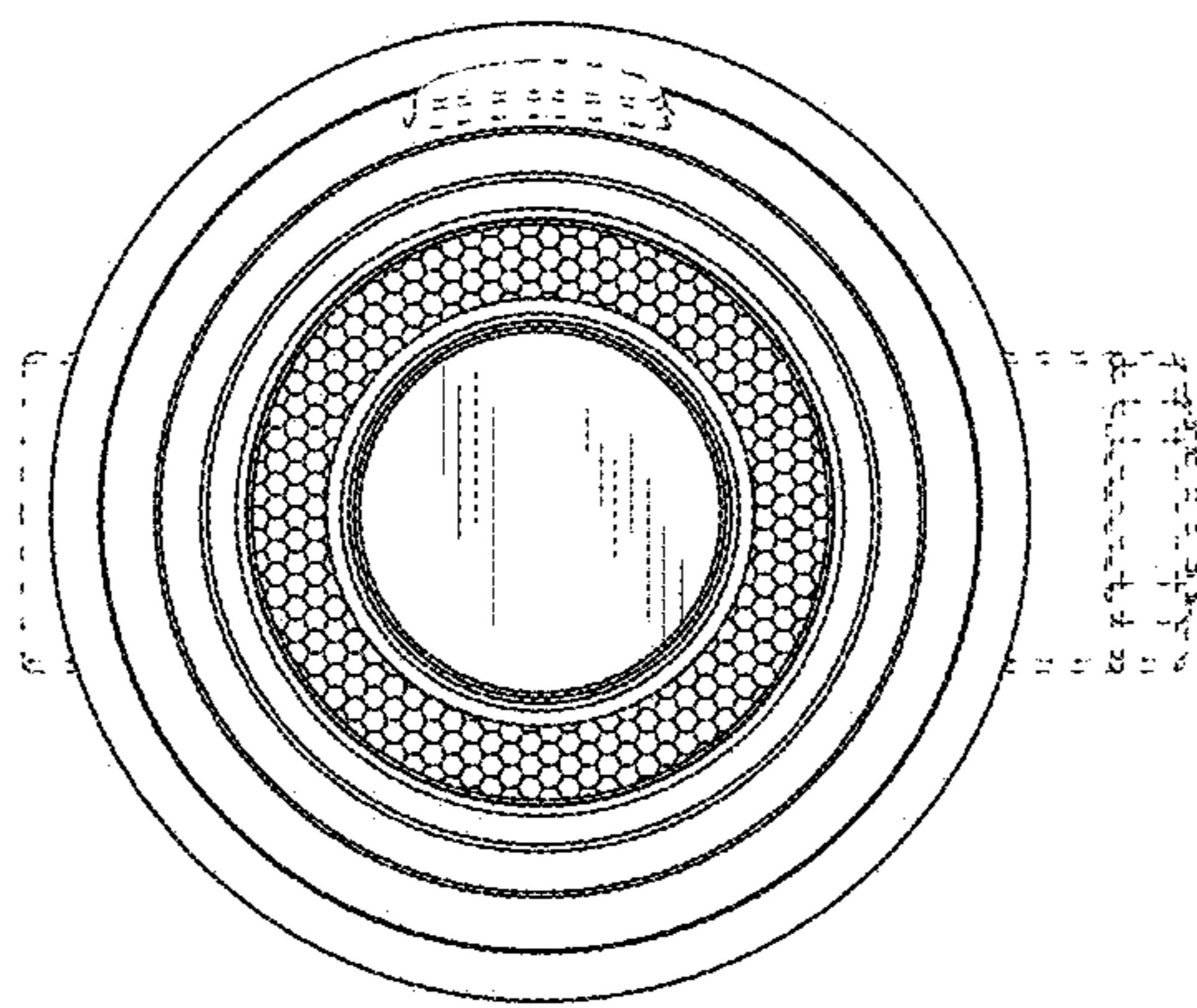


FIG. 3

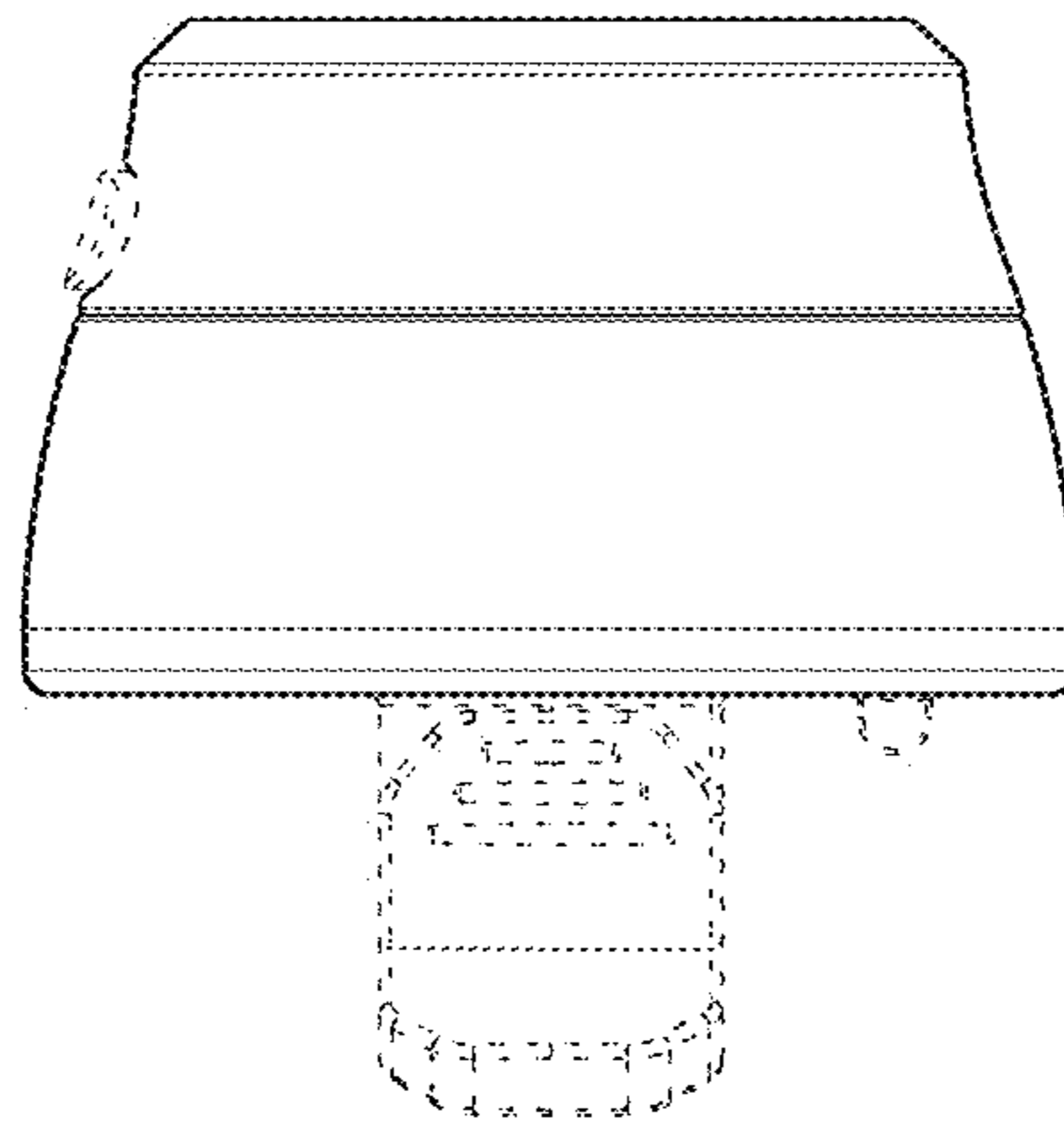


FIG. 4

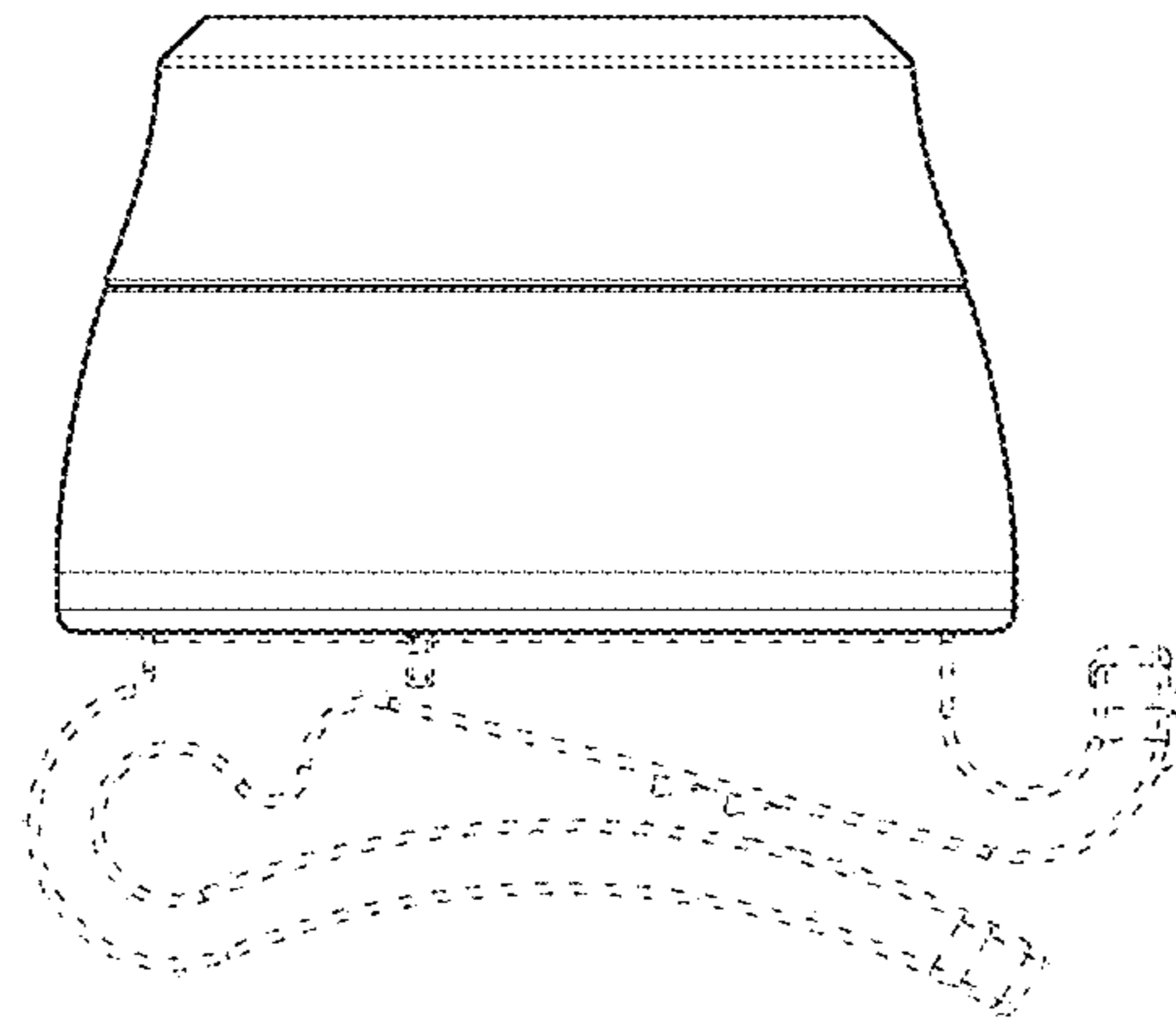


FIG. 5

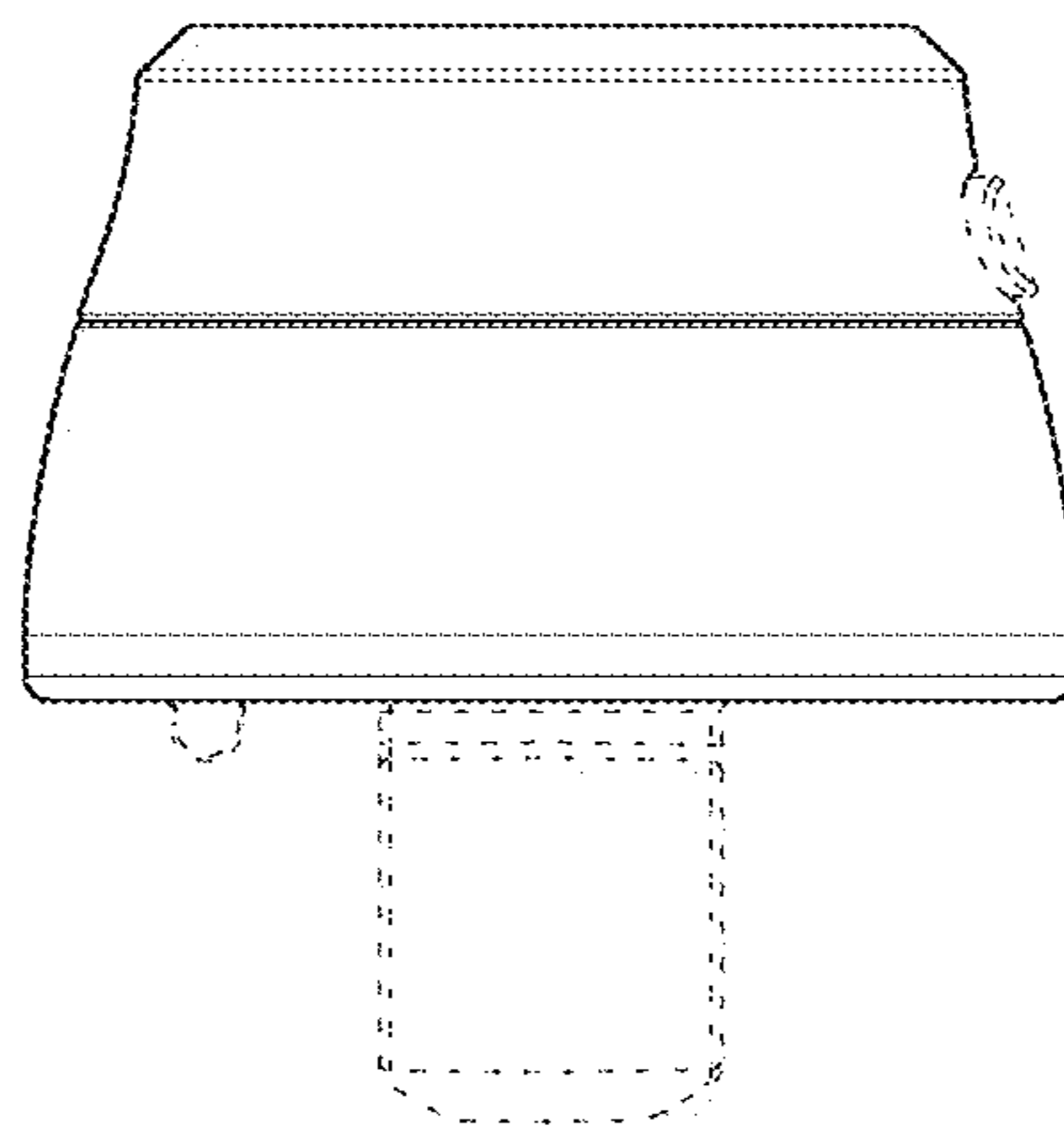


FIG. 6

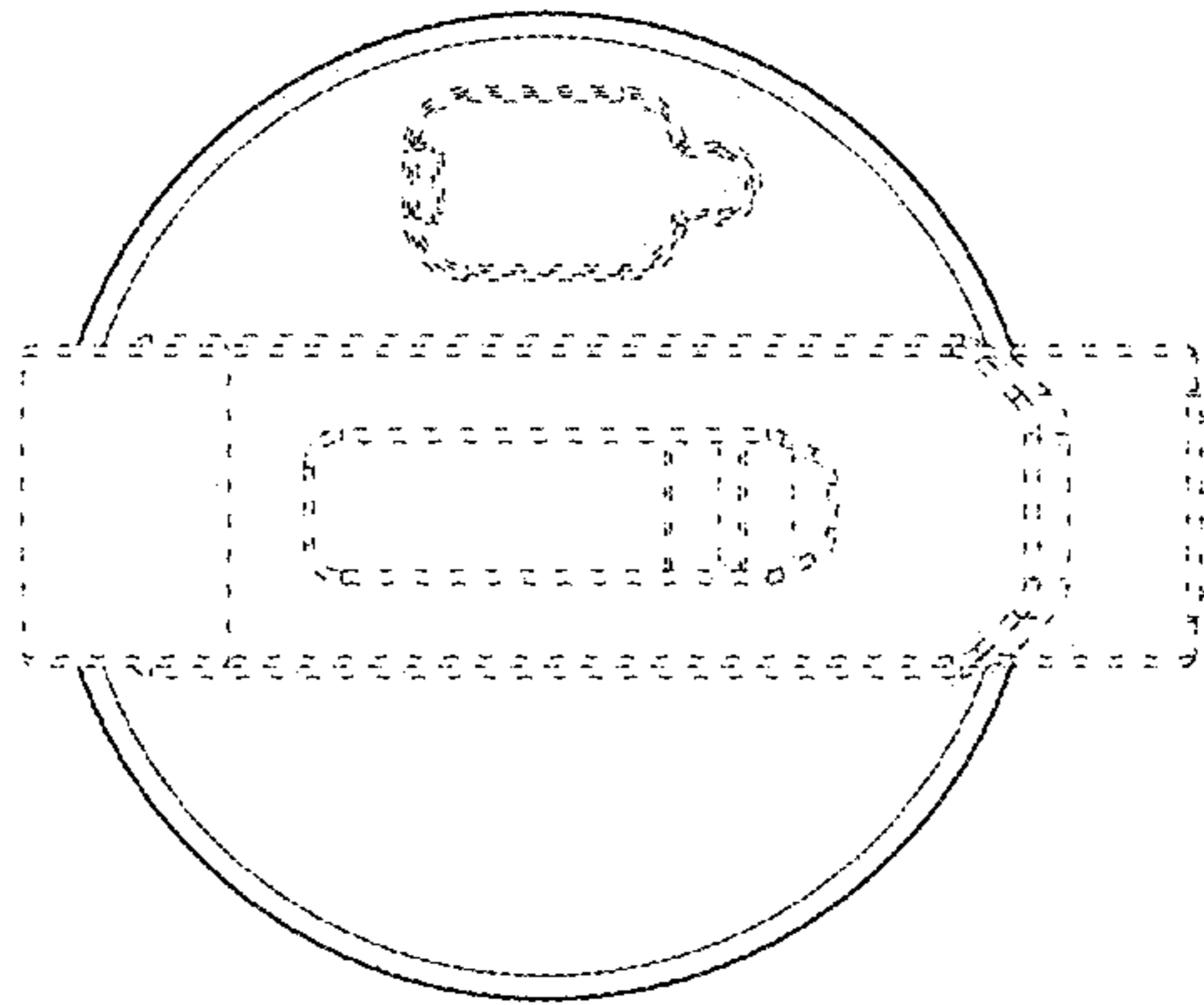


FIG. 7

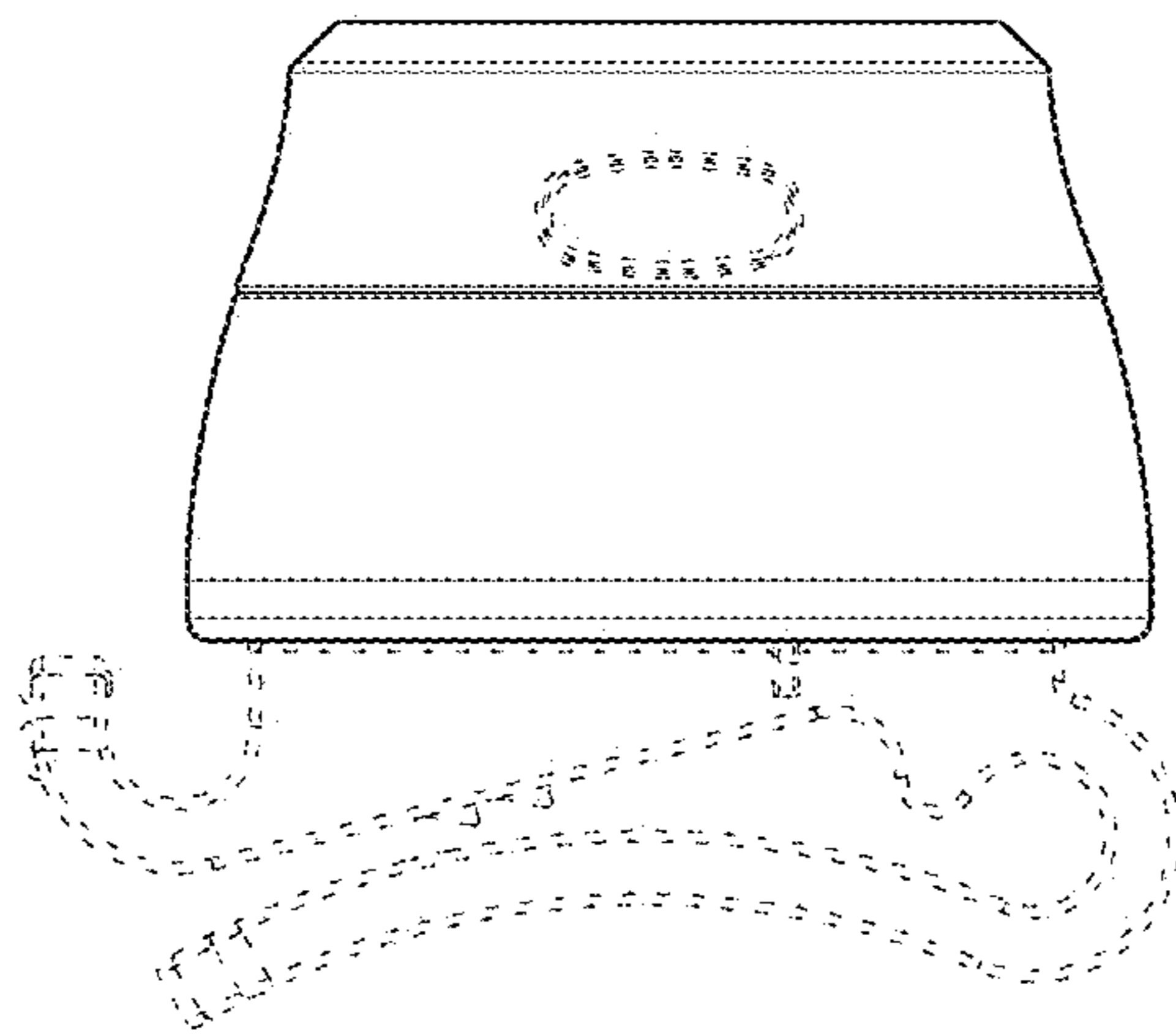


FIG. 8

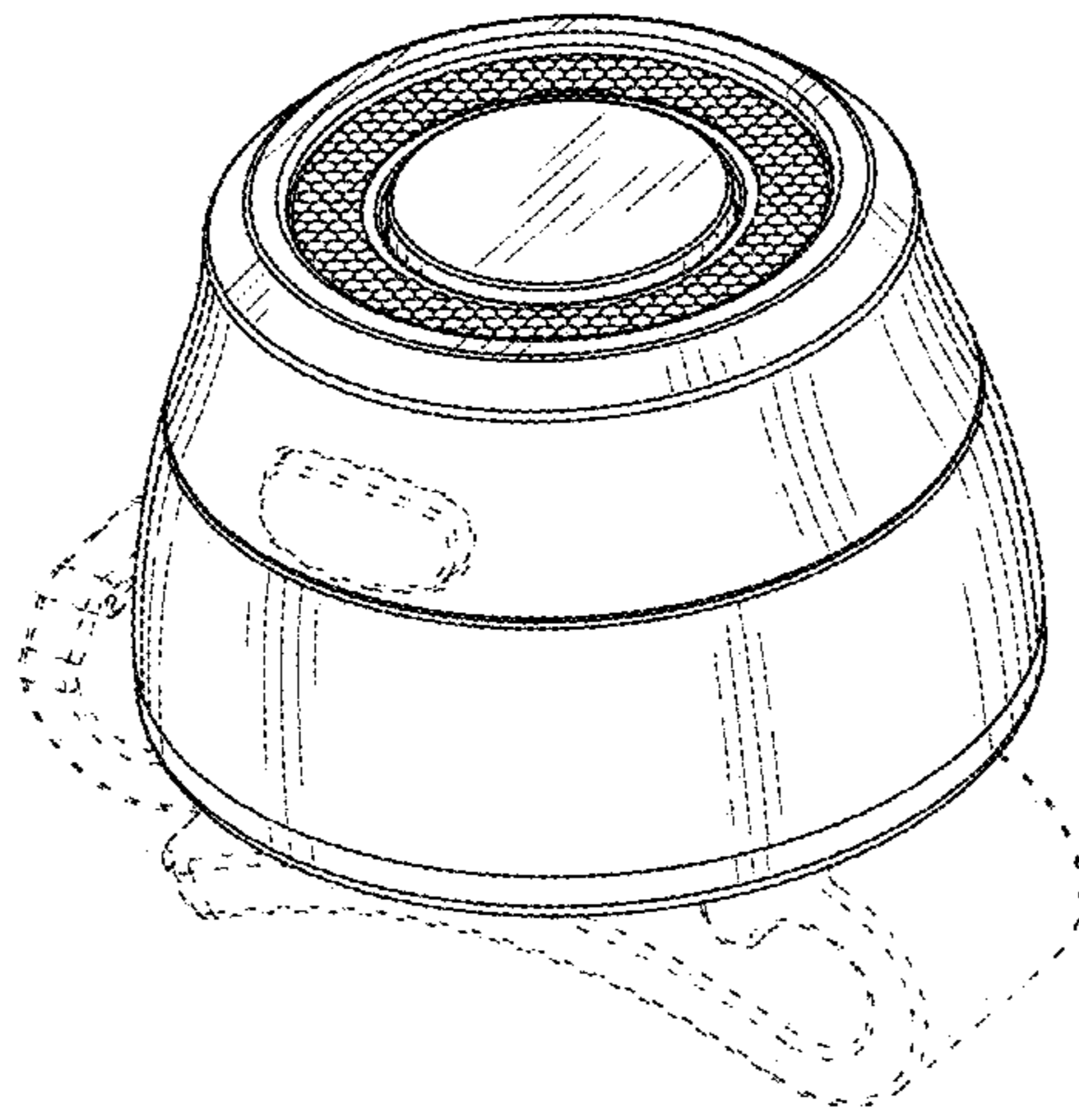


FIG. 9

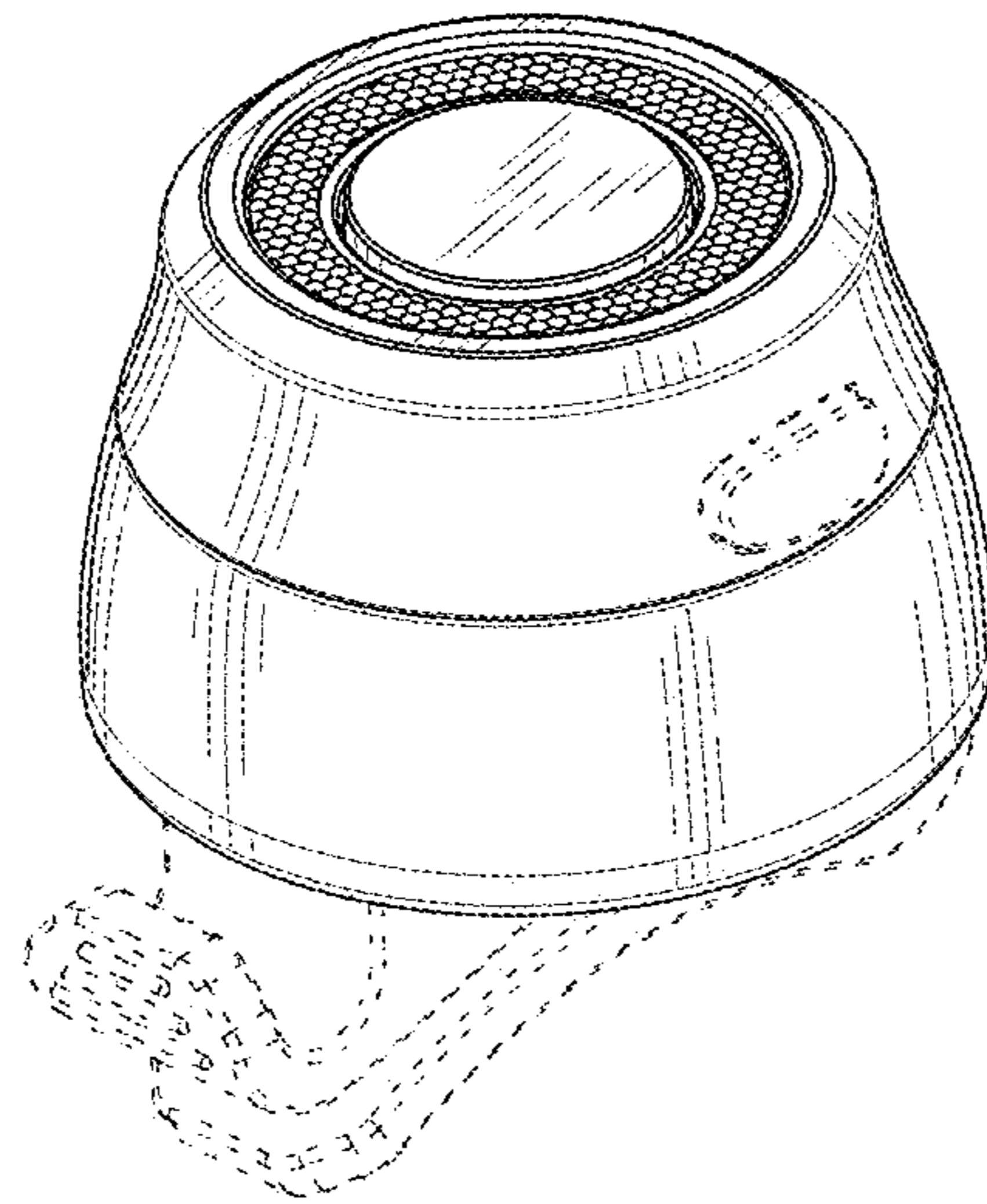


FIG. 10

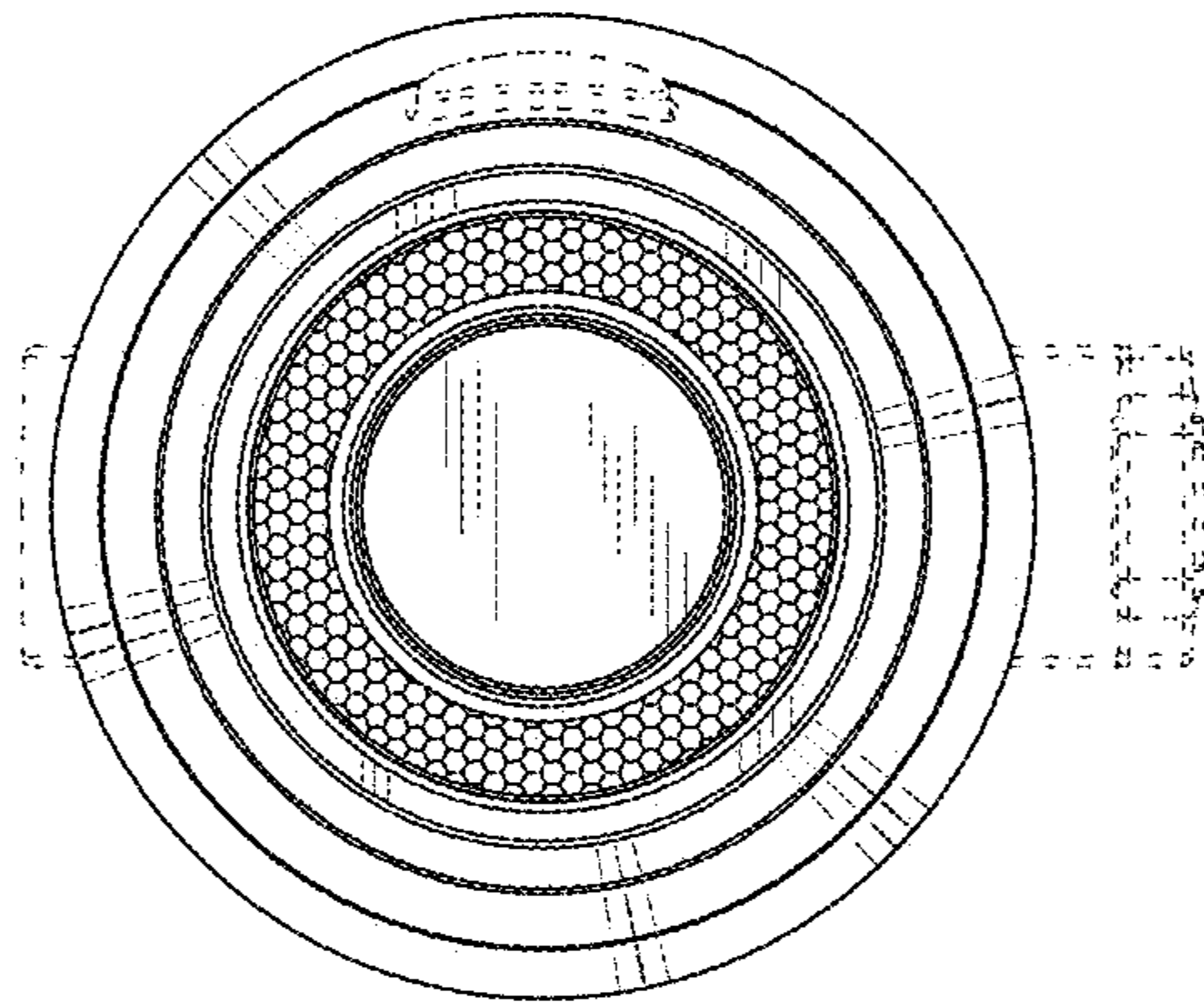


FIG. 11

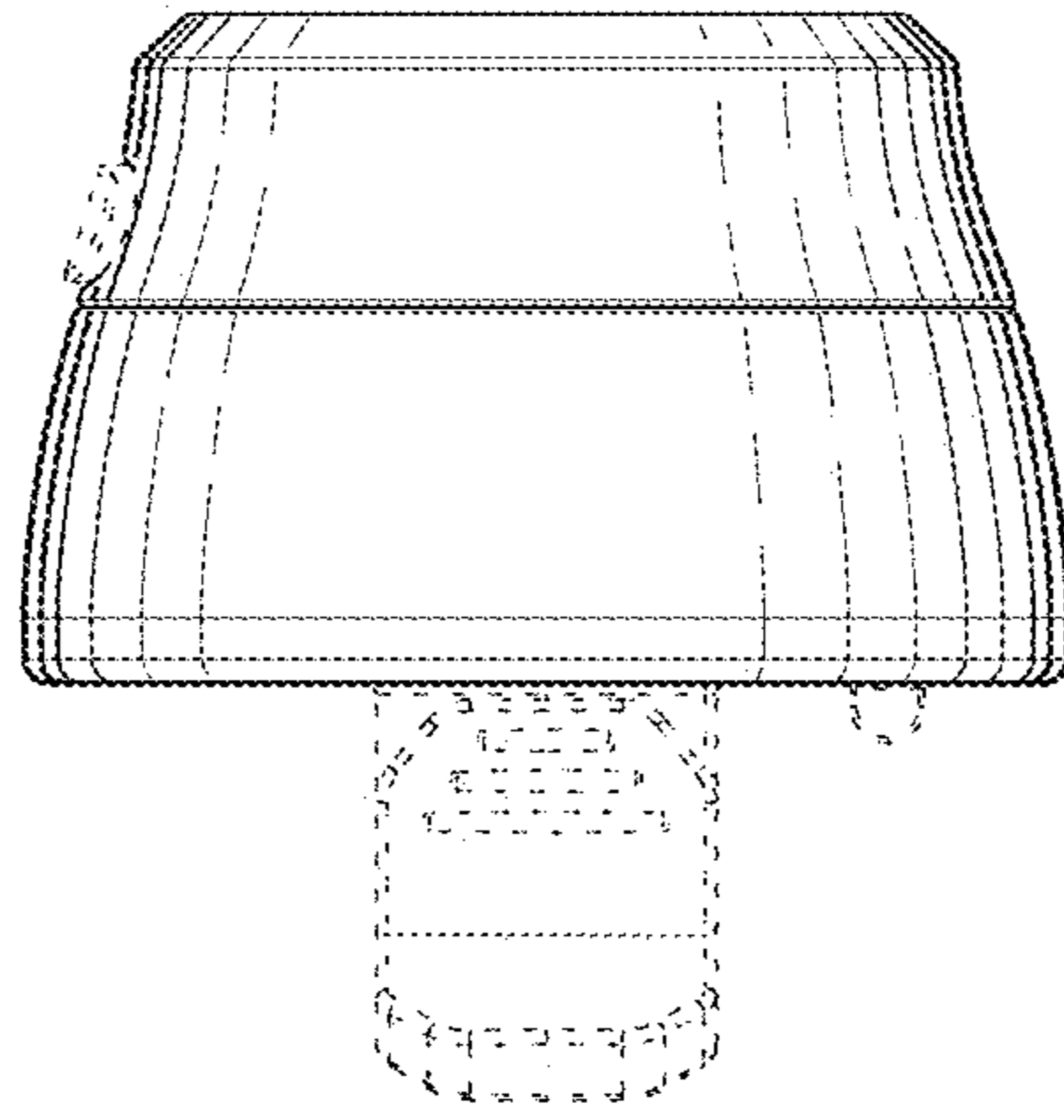


FIG. 12

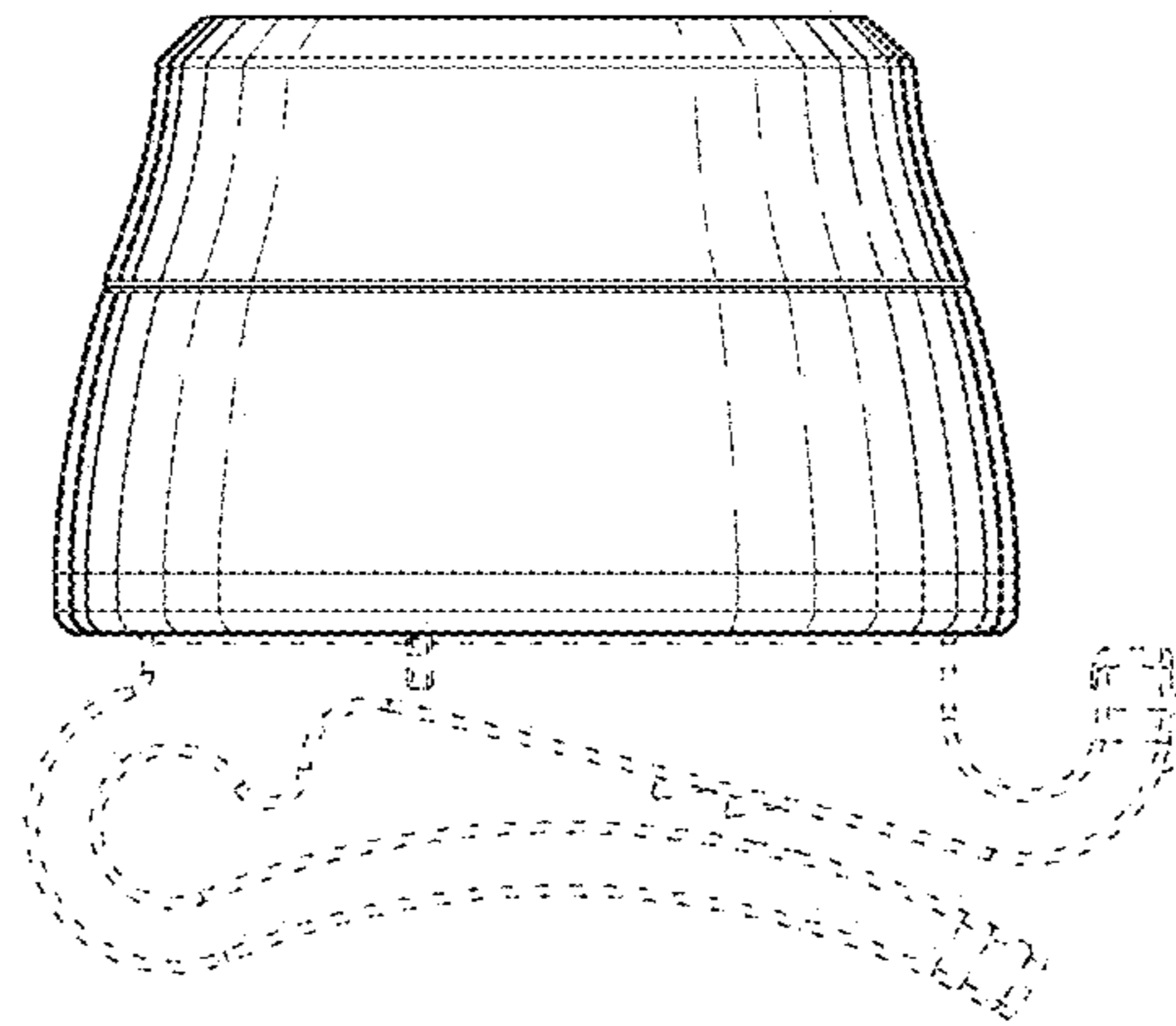


FIG. 13

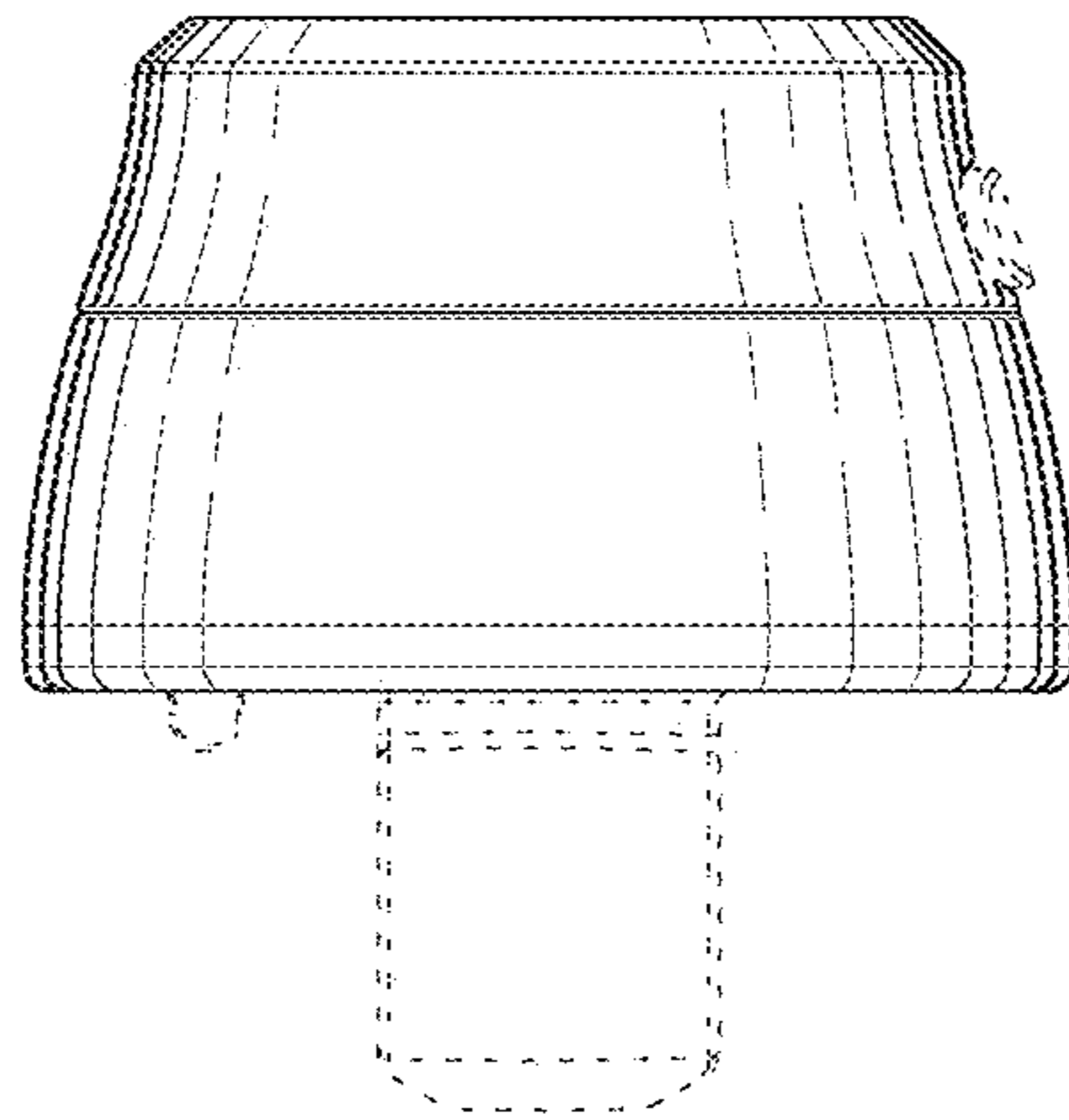


FIG. 14

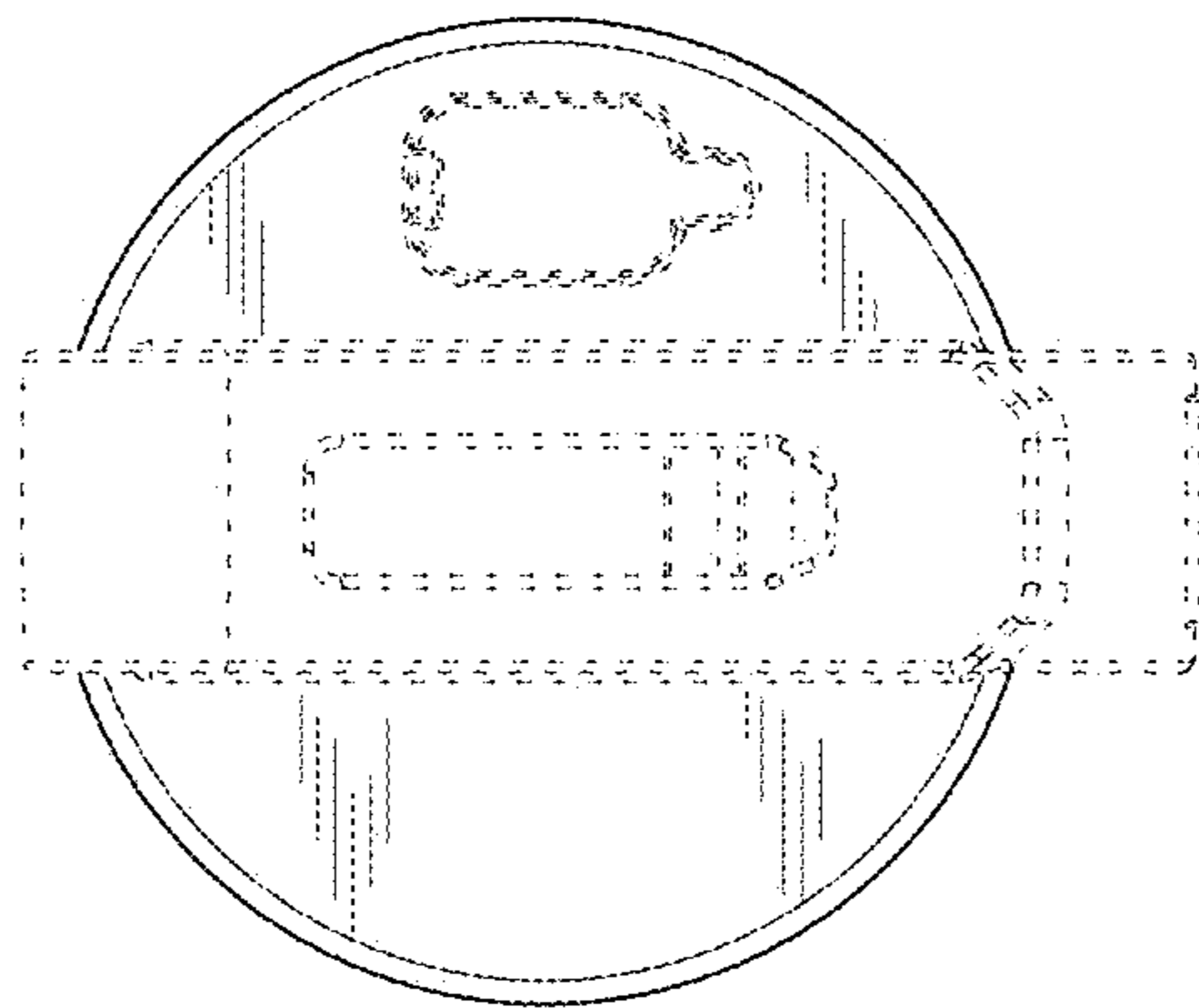


FIG. 15

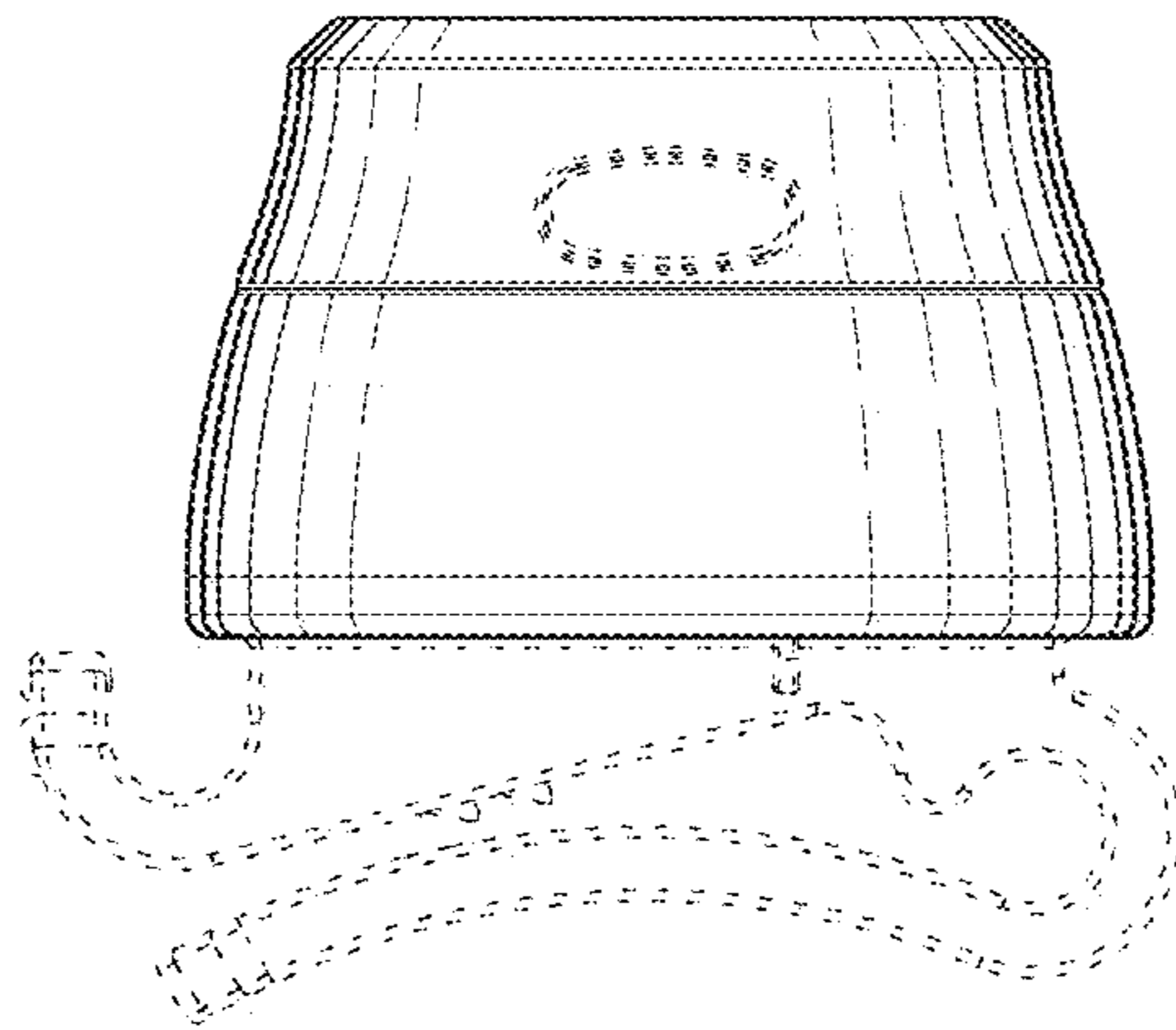


FIG. 16