



US00D884945S

(12) **United States Design Patent** (10) **Patent No.:** **US D884,945 S**
Urry et al. (45) **Date of Patent:** **** May 19, 2020**

(54) **MULTI-SECTION PORTABLE ELECTRONIC TORCH**

(56) **References Cited**

- (71) Applicant: **Zyntony, Inc.**, Sandy, UT (US)
- (72) Inventors: **Robin Urry**, Draper, UT (US); **Roger Johnsen**, Holladay, UT (US); **Russell Scott**, West Jordan, UT (US); **Jay Davis**, Pleasant Grove, UT (US)
- (73) Assignee: **Zyntony, Inc.**, Sandy, UT (US)
- (**) Term: **15 Years**
- (21) Appl. No.: **29/626,989**
- (22) Filed: **Nov. 21, 2017**

U.S. PATENT DOCUMENTS

D620,627	S	*	7/2010	Kovacik	D26/42
D711,573	S	*	8/2014	Payne	D26/42
D760,928	S	*	7/2016	Bao	D26/24
D805,669	S	*	12/2017	Noga	D26/51
D811,635	S	*	2/2018	Urry	D26/42
2013/0135852	A1	*	5/2013	Chan	F21V 21/002 362/218
2016/0360585	A1	*	12/2016	Urry	H05B 33/0845

* cited by examiner

Primary Examiner — Lakiya G Rogers
Assistant Examiner — Carissa C Fitts
 (74) *Attorney, Agent, or Firm* — Travis R. Banta;
 TechLaw Ventures, PLLC

Related U.S. Application Data

- (62) Division of application No. 29/529,406, filed on Jun. 5, 2015, now Pat. No. Des. 811,635.
- (51) **LOC (12) Cl.** **26-02**
- (52) **U.S. Cl.**
 USPC **D26/42**
- (58) **Field of Classification Search**
 USPC D26/37-51
 CPC F21L 2003/00; F21L 4/00; F21L 4/005;
 F21L 4/02; F21L 4/025; F21L 4/027;
 F21L 4/04; F21L 4/08; F21L 2005/00;
 F21L 7/00; F21L 11/00; F21L 13/00;
 F21L 13/04; F21L 13/08; F21L 14/02;
 F21L 17/00; F21L 19/00; F21L 25/00

See application file for complete search history.

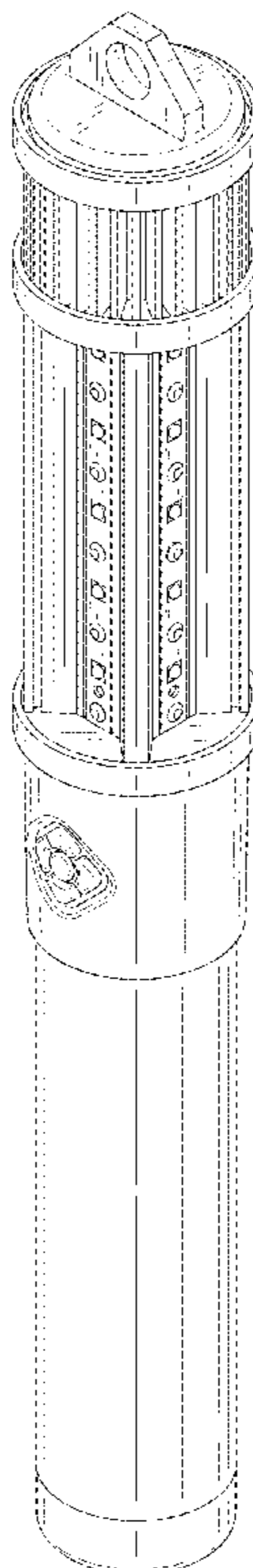
(57) **CLAIM**

The ornamental design for a multi-section portable electronic torch, as shown and described.

DESCRIPTION

FIG. 1 is a top to bottom perspective view of a multi-section portable electronic torch showing our new design;
 FIG. 2 is bottom to top perspective view thereof;
 FIG. 3 is a front side view thereof;
 FIG. 4 is a back side view thereof;
 FIG. 5 is a left side view thereof;
 FIG. 6 is a right side view thereof;
 FIG. 7 is a top view thereof; and,
 FIG. 8 is a bottom view thereof.

1 Claim, 7 Drawing Sheets



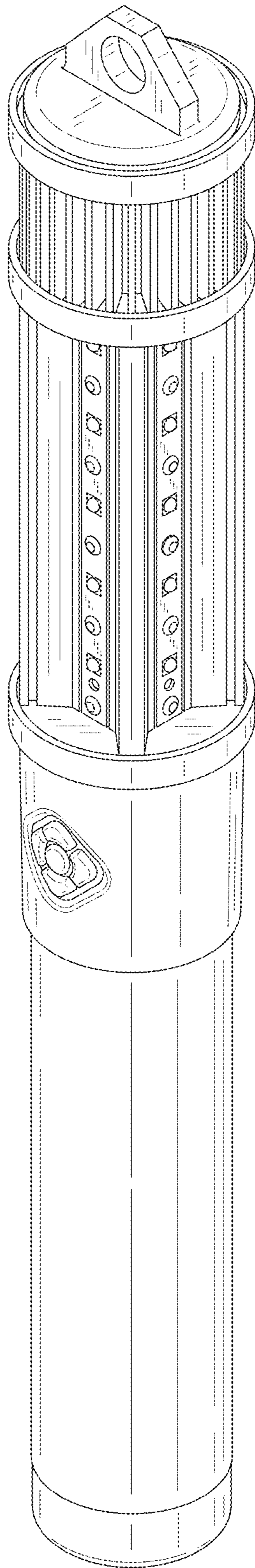


FIG. 1

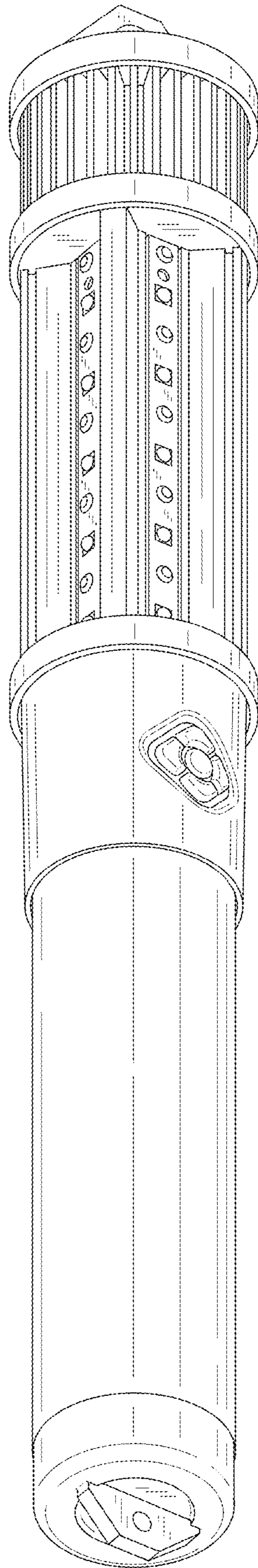


FIG. 2

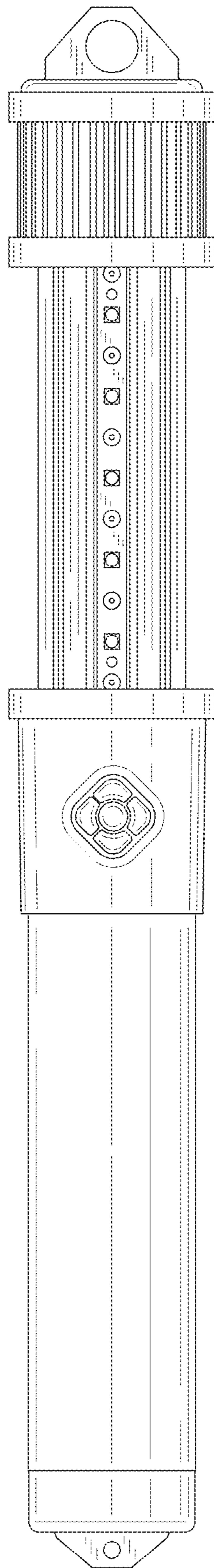


FIG. 3

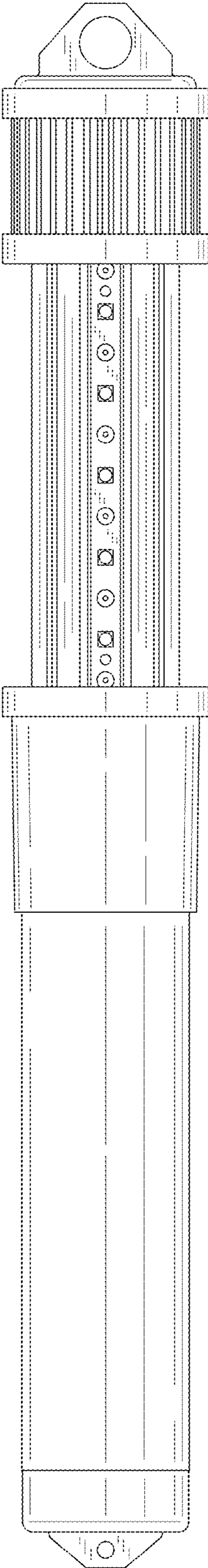


FIG. 4

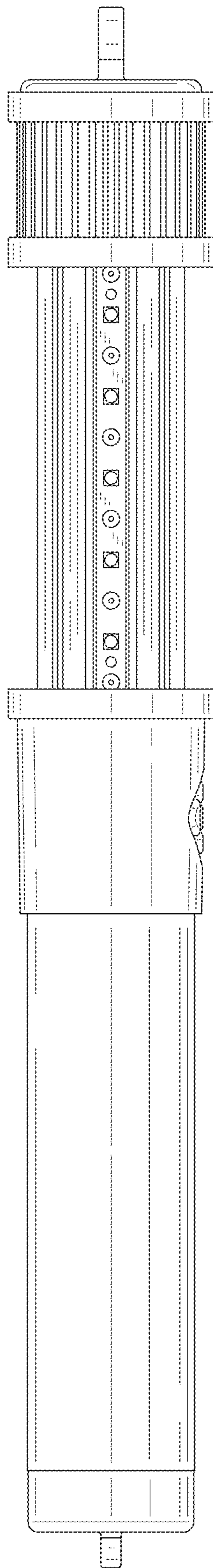


FIG. 5

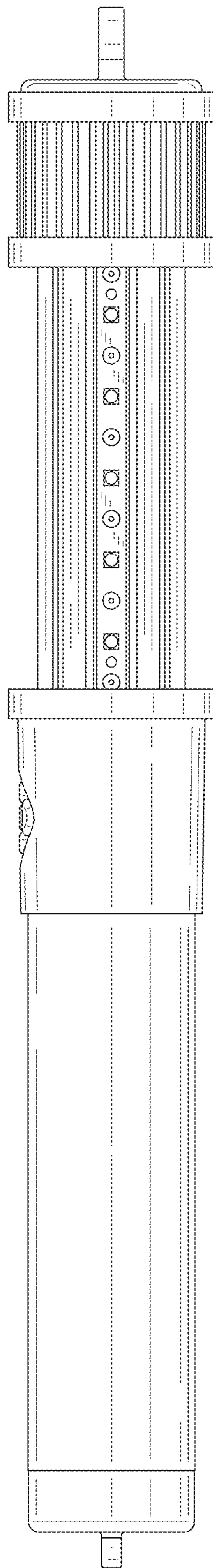


FIG. 6

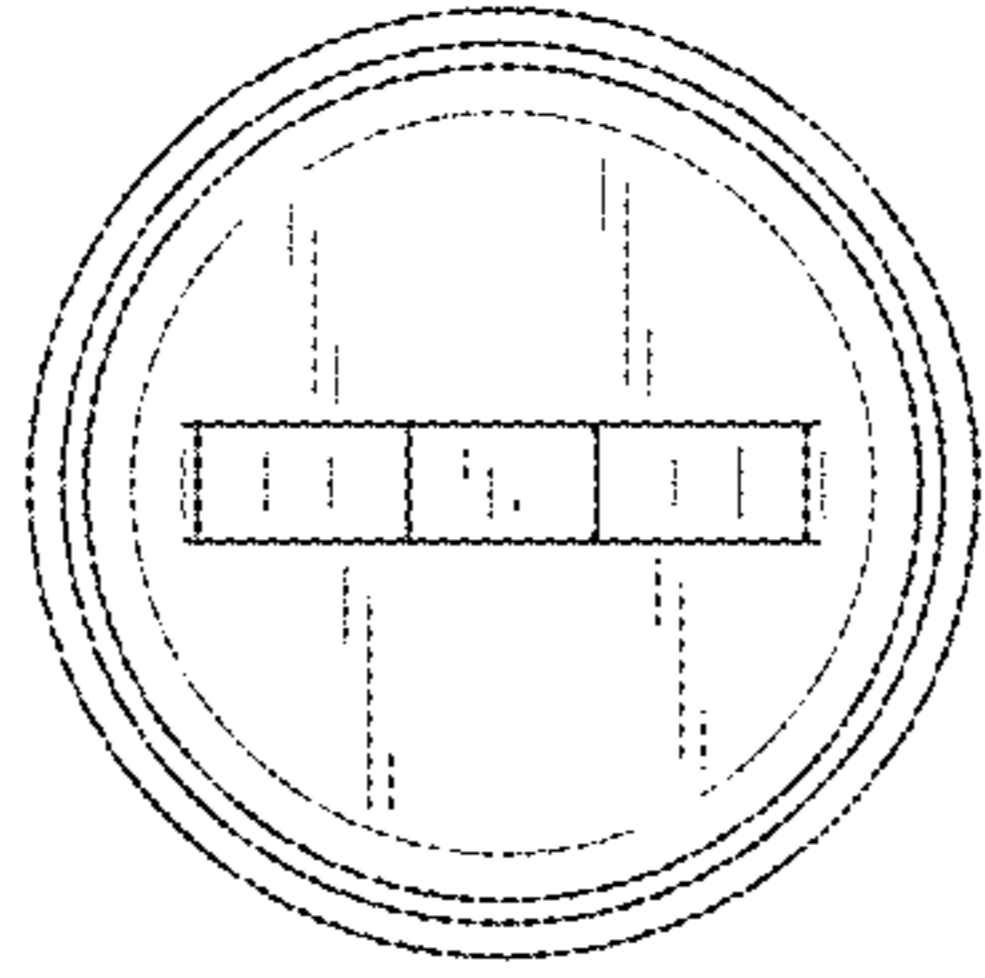


FIG. 7

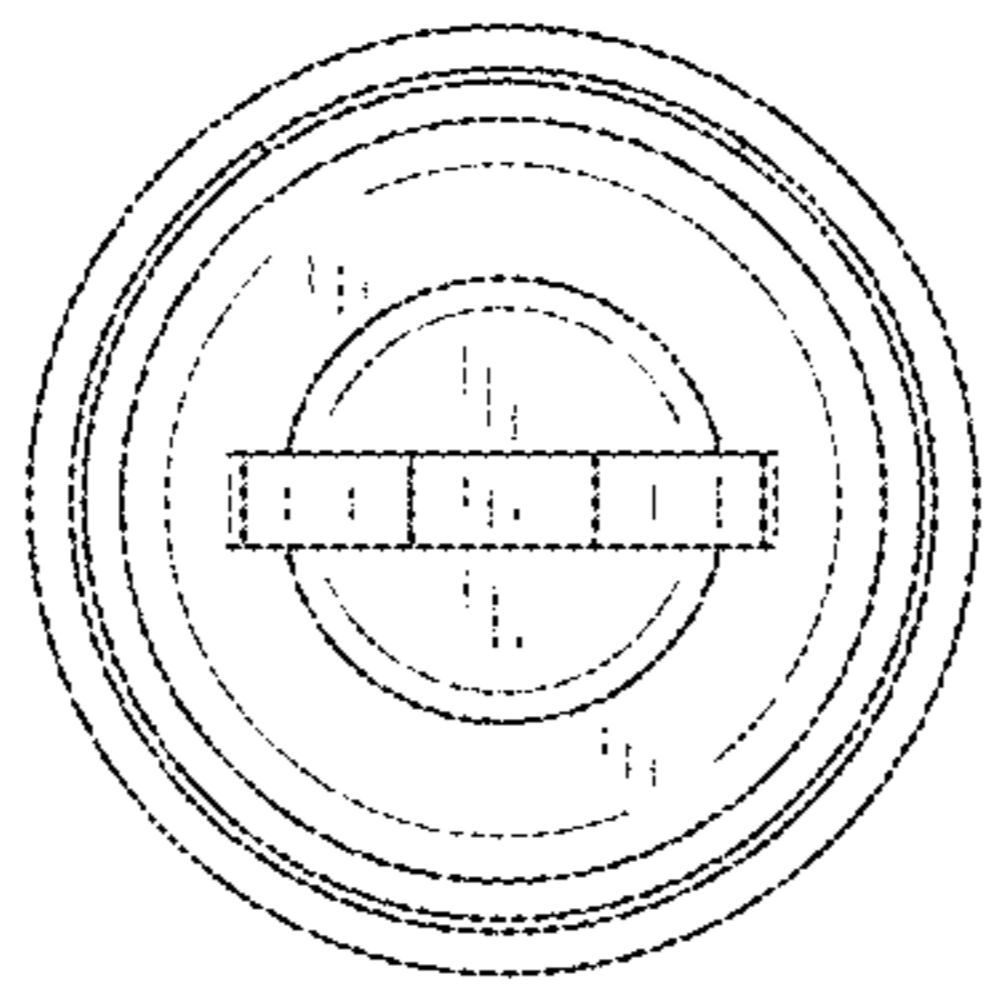


FIG. 8