



US00D884944S

(12) **United States Design Patent**
Fitch

(10) **Patent No.:** **US D884,944 S**

(45) **Date of Patent:** **** May 19, 2020**

(54) **LIGHTING DEVICE**

(71) Applicant: **Energizer Brands, LLC**, St. Louis, MO (US)

(72) Inventor: **Jonathan Fitch**, Skaneateles, NY (US)

(73) Assignee: **Energizer Brands, LLC**, St. Louis, MO (US)

(**) Term: **15 Years**

(21) Appl. No.: **29/626,153**

(22) Filed: **Nov. 15, 2017**

(51) **LOC (12) Cl.** **26-02**

(52) **U.S. Cl.**
USPC **D26/39**

(58) **Field of Classification Search**
USPC D26/37-51
CPC F21L 2003/00; F21L 4/00; F21L 4/005;
F21L 4/02; F21L 4/025; F21L 4/027;
F21L 4/04; F21L 4/08; F21L 2005/00;
F21L 7/00; F21L 11/00; F21L 13/00;
F21L 13/04; F21L 13/08; F21L 14/02;
F21L 17/00; F21L 19/00; F21L 25/00
See application file for complete search history.

(56) **References Cited**

U.S. PATENT DOCUMENTS

D472,998 S	4/2003	Paris et al.	
D552,278 S	10/2007	Spartano et al.	
D566,310 S *	4/2008	Alessio	D26/39
D581,567 S *	11/2008	Crawford	D26/38
7,461,944 B2	12/2008	Alessio	

(Continued)

OTHER PUBLICATIONS

Energizer vision ultra rechargeable headlamp [online], [site visited Jan. 21, 2019] Available from the internet. <URL: www.youtube.com/watch?v=3xetNuPfwjl>, 1 page (Year: 2019).*

Primary Examiner — Shannon W Morgan

Assistant Examiner — Carissa C Fitts

(74) *Attorney, Agent, or Firm* — Alston & Bird LLP

(57) **CLAIM**

The ornamental design for a lighting device, as shown and described.

DESCRIPTION

FIG. 1 is a front perspective view of a lighting device having an attached head strap according to one exemplary embodiment of the present design.

FIG. 2 is a front perspective view of the lighting device of FIG. 1.

FIG. 3 is a rear perspective view of the lighting device of FIG. 1.

FIG. 4 is a left side view of the lighting device of FIG. 1, the right side view of the lighting device is a mirror image of the left side view.

FIG. 5 is a front view the lighting device of FIG. 1.

FIG. 6 is a back view of the lighting device of FIG. 1.

FIG. 7 is a top view of the lighting device of FIG. 1.

FIG. 8 is a bottom view of the lighting device of FIG. 1.

FIG. 9 is a front perspective view of a lighting device having an attached head strap according to a second exemplary embodiment of the present design.

FIG. 10 is a front perspective view of the lighting device of FIG. 9.

FIG. 11 is a rear perspective view of the lighting device of FIG. 9.

FIG. 12 is a left side view of the lighting device of FIG. 9, the right side view of the lighting device is a mirror image of the left side view.

FIG. 13 is a front view the lighting device of FIG. 9.

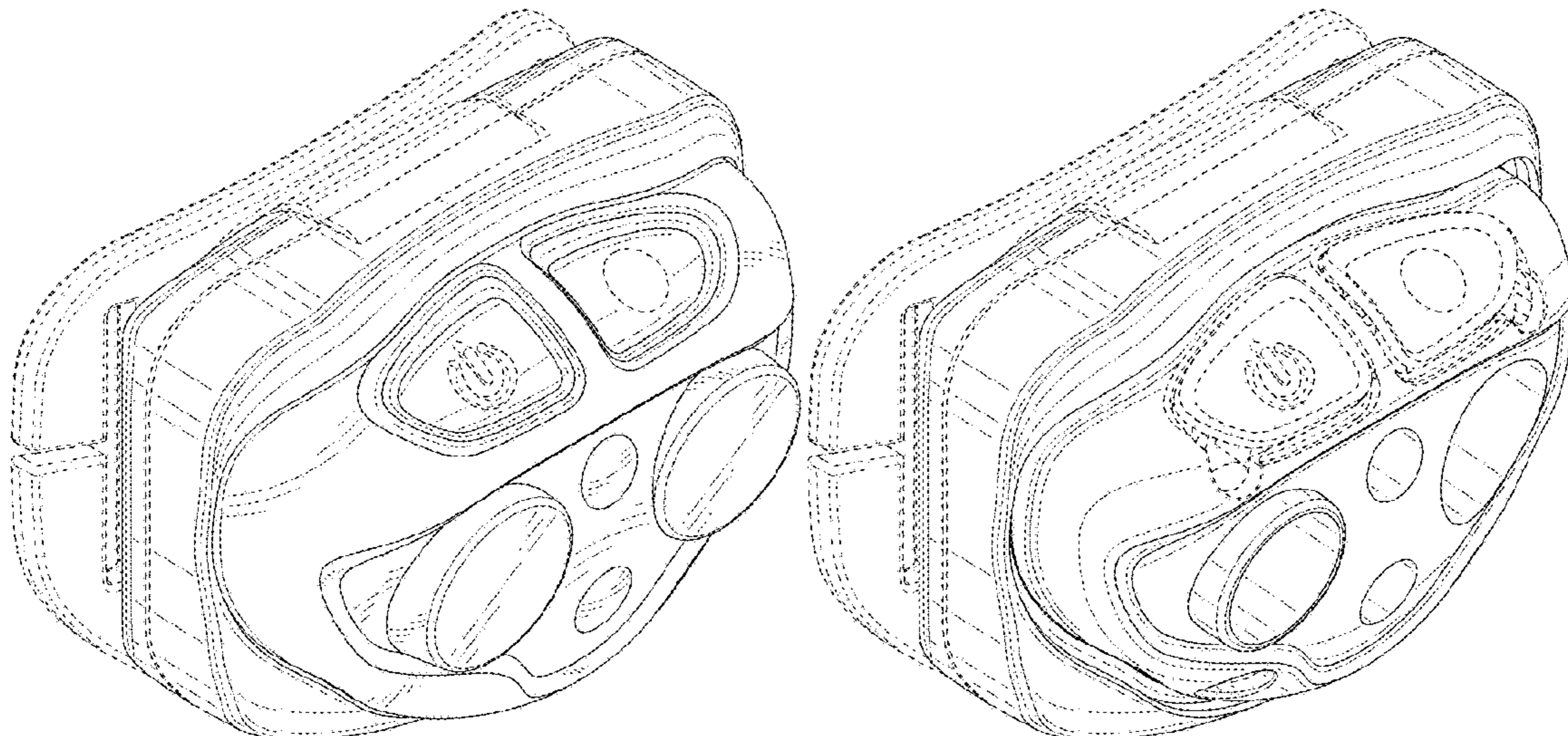
FIG. 14 is a back view of the lighting device of FIG. 9.

FIG. 15 is a top view of the lighting device of FIG. 9; and,

FIG. 16 is a bottom view of the lighting device of FIG. 9.

The broken lines show portions of the article which form no part of the claimed design.

1 Claim, 8 Drawing Sheets



(56)

References Cited

U.S. PATENT DOCUMENTS

7,503,660	B2	3/2009	Ikeda et al.	
D592,782	S	5/2009	Hine et al.	
D596,770	S	7/2009	Hine et al.	
D615,227	S	5/2010	Hine et al.	
D631,587	S	1/2011	Hine et al.	
D707,867	S	6/2014	Kotsis et al.	
D712,579	S *	9/2014	Cen	D26/39
D726,943	S *	4/2015	Petzl	D26/39
D742,050	S *	10/2015	Inskeep	D26/39
D743,597	S	11/2015	Abernethy et al.	
D744,134	S *	11/2015	Hine	D26/39
D747,021	S *	1/2016	Hunnewell	D26/39
D752,257	S	3/2016	Hine et al.	
D752,258	S	3/2016	Hine et al.	
D752,259	S	3/2016	Hine et al.	
D752,260	S	3/2016	Hine et al.	
D752,261	S	3/2016	Ma	
D752,790	S	3/2016	Hine et al.	
D756,552	S *	5/2016	Kunzendorf	D26/39
D812,793	S *	3/2018	Huang	D26/39
D830,601	S *	10/2018	Petzl	D26/39

* cited by examiner

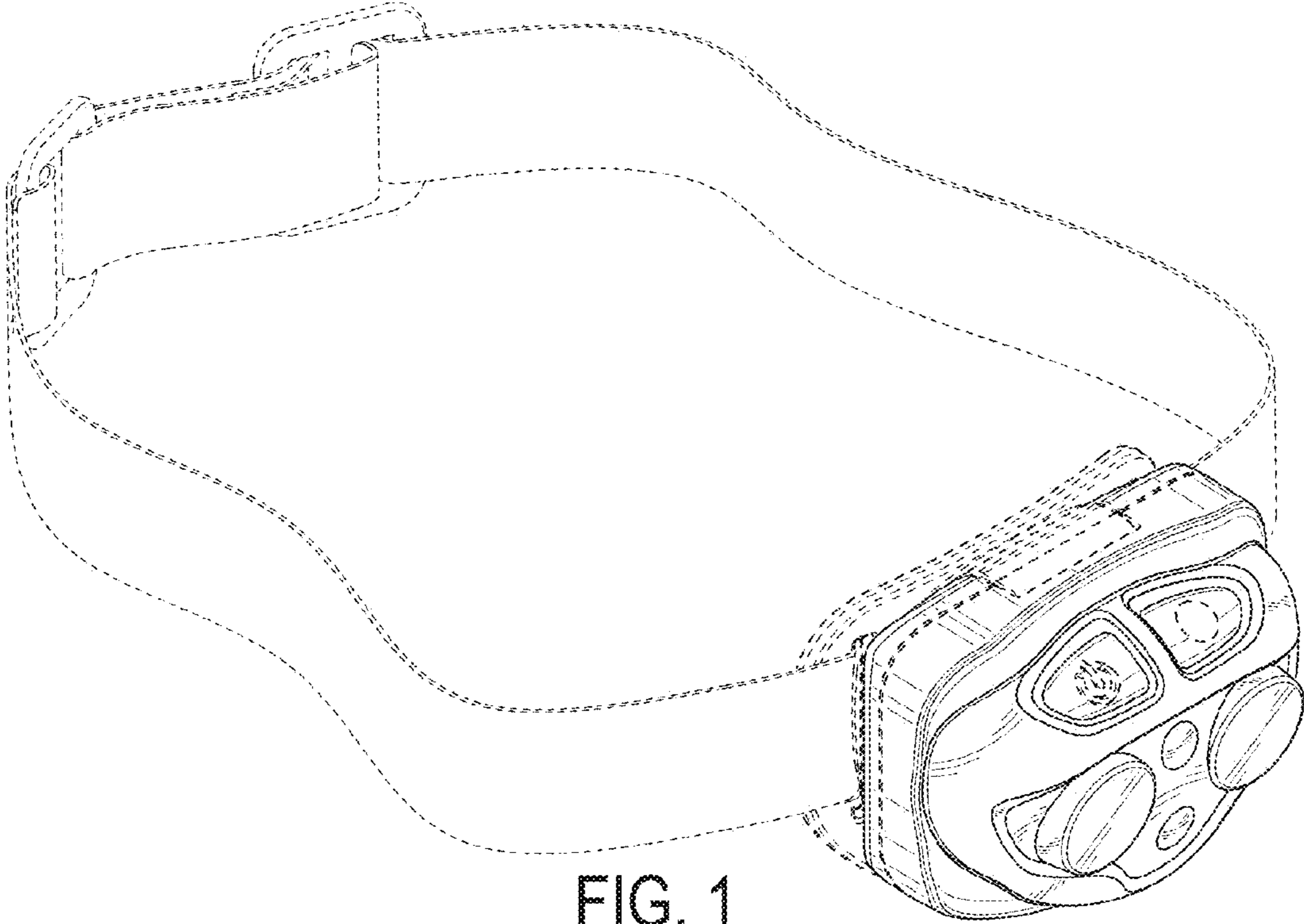


FIG. 1

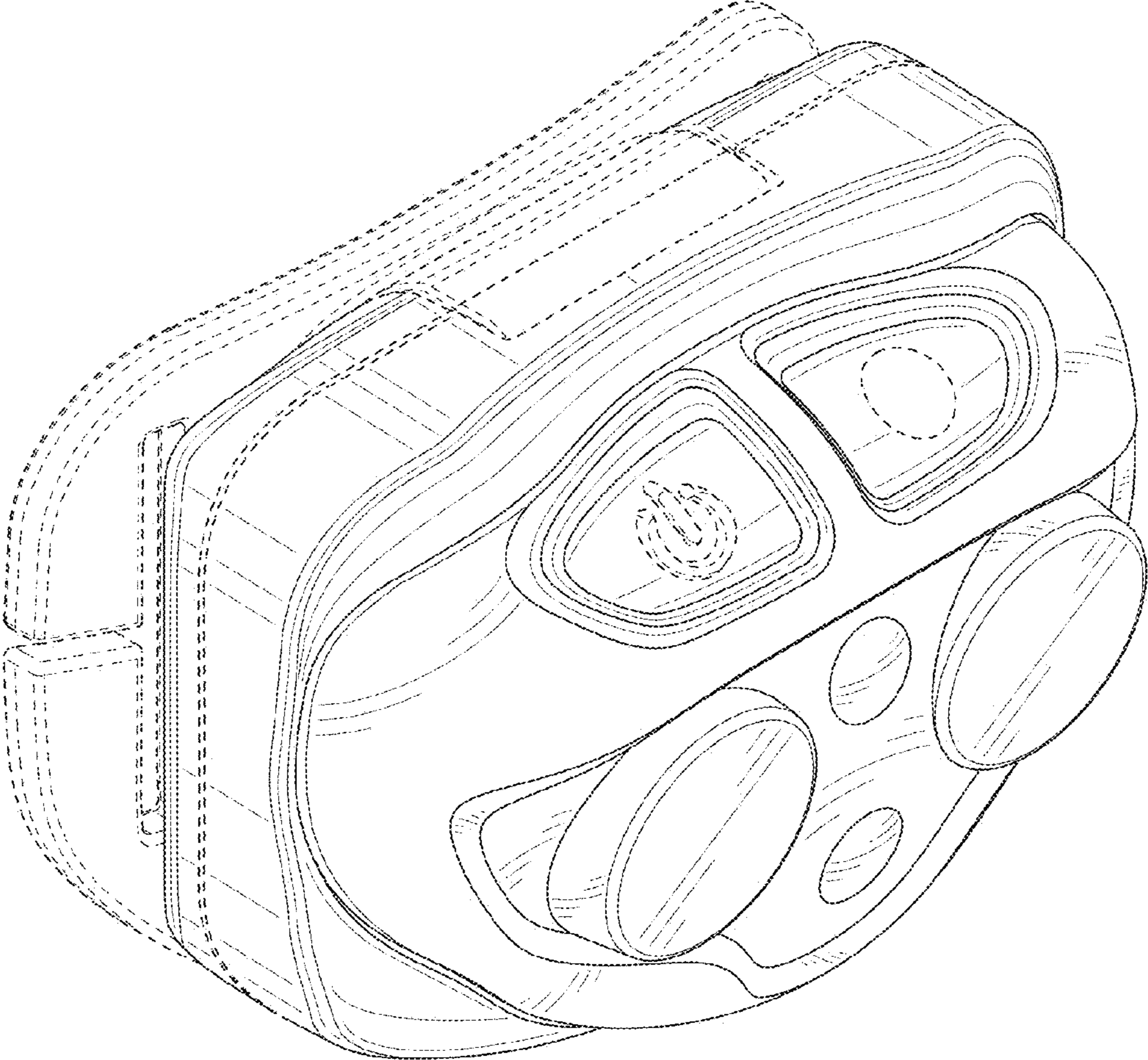


FIG. 2

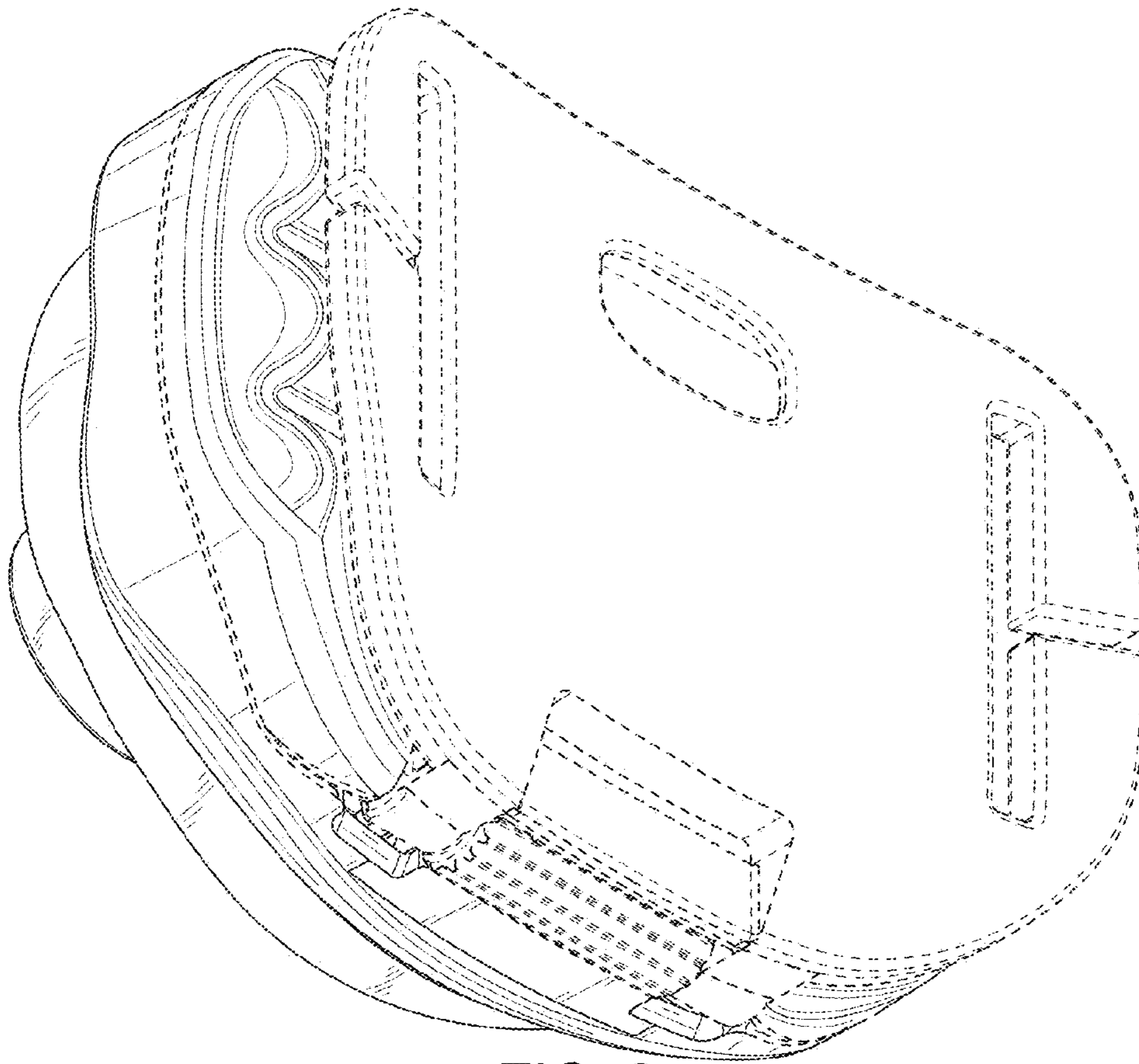


FIG. 3

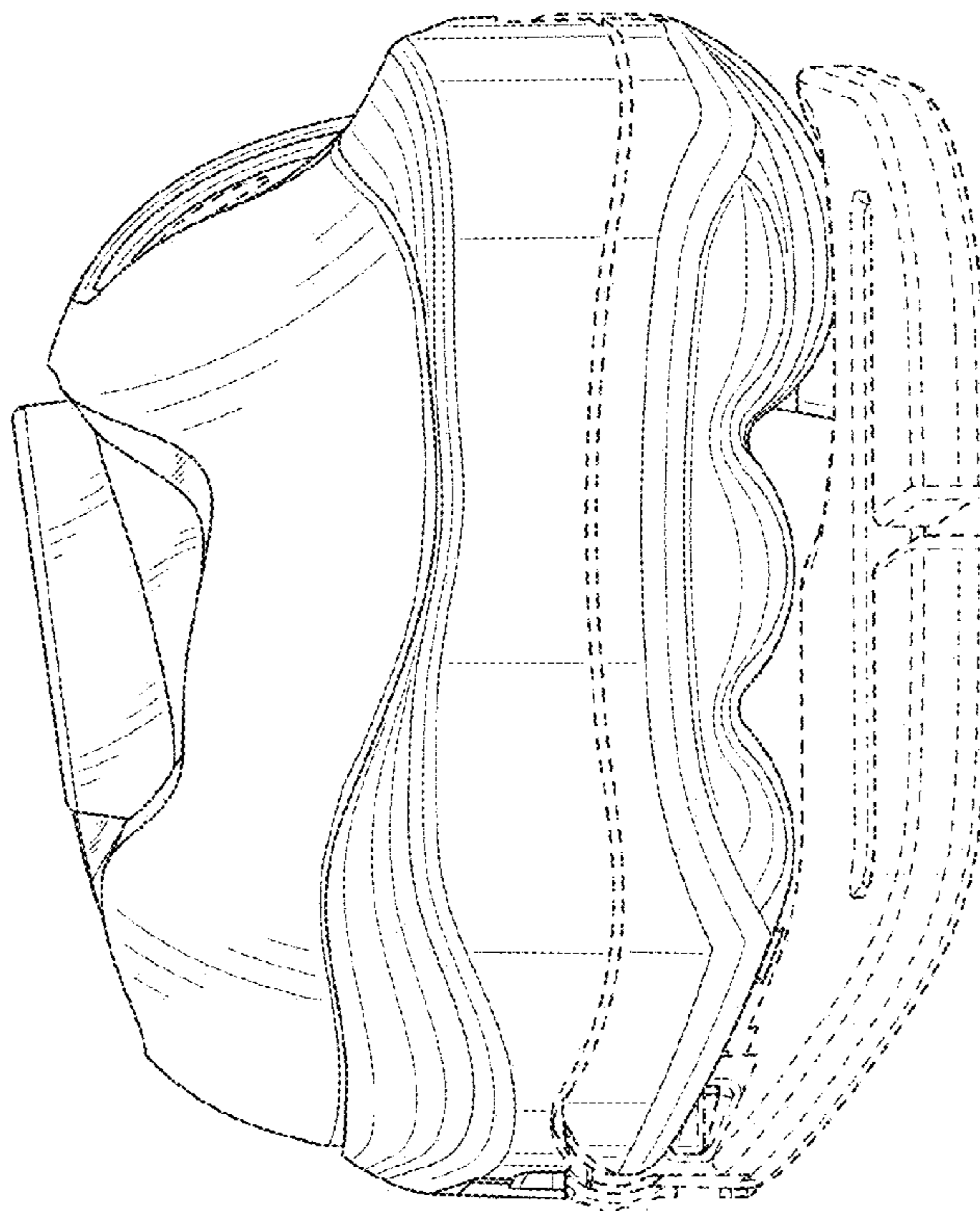


FIG. 4

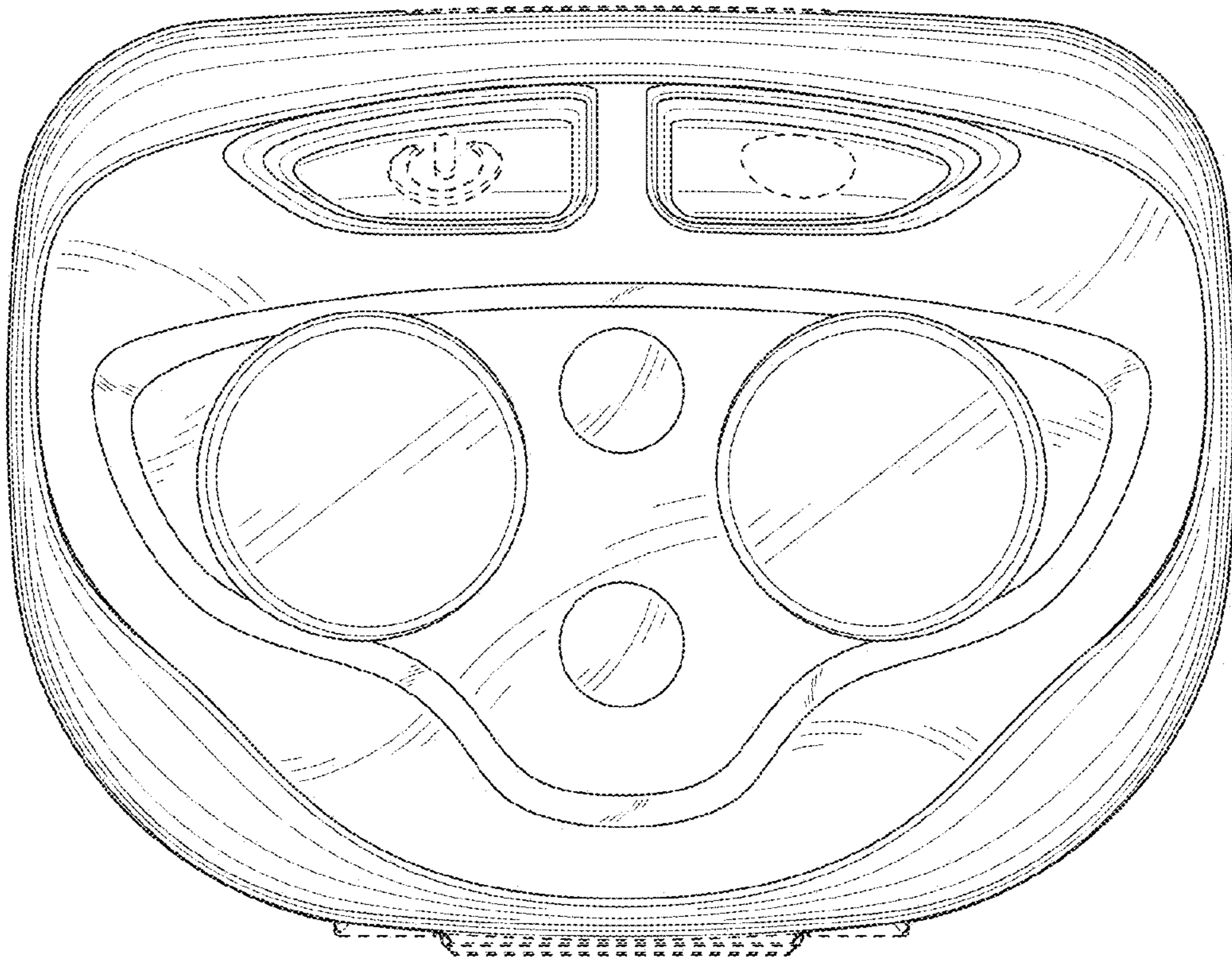


FIG. 5

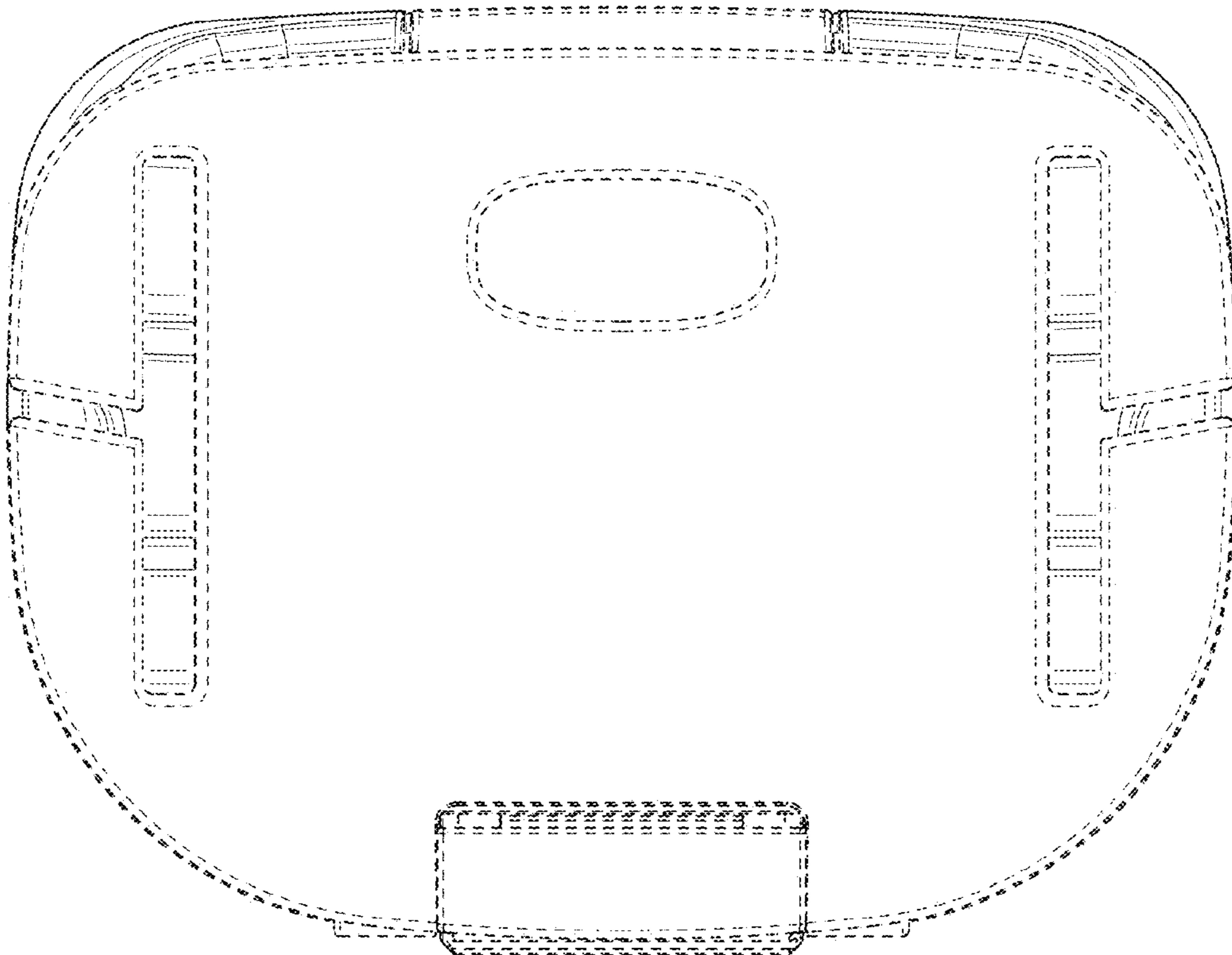


FIG. 6

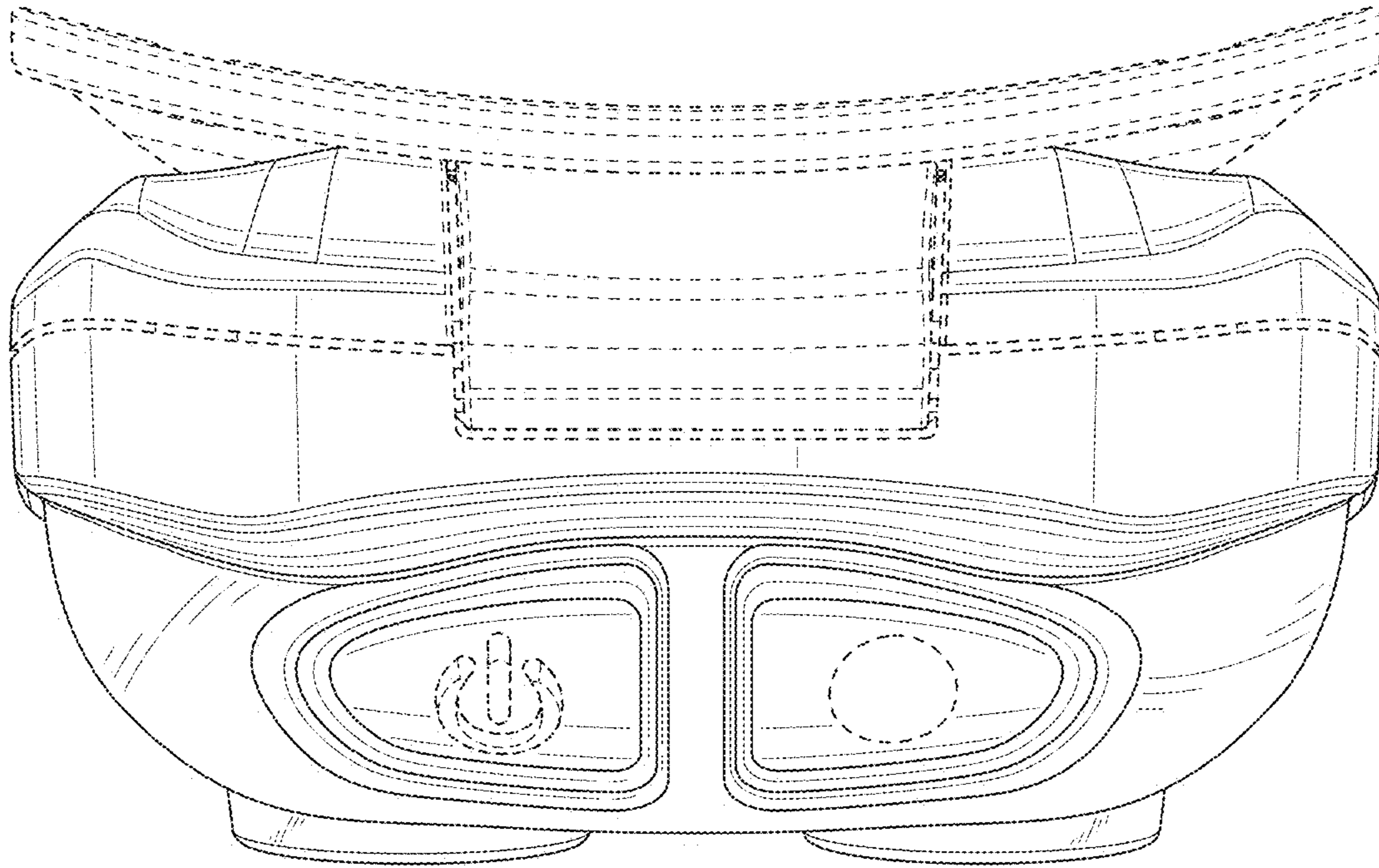


FIG. 7

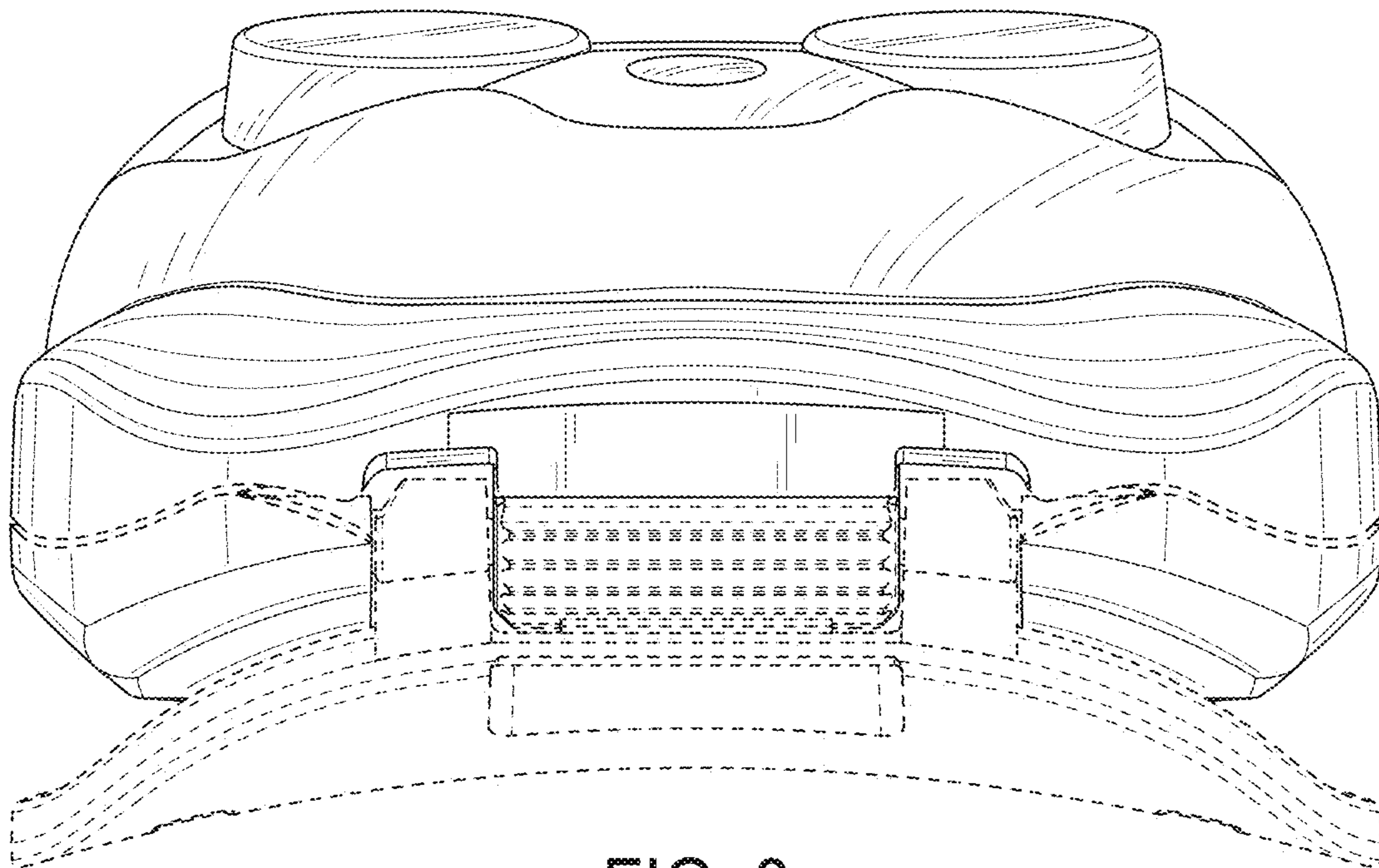


FIG. 8

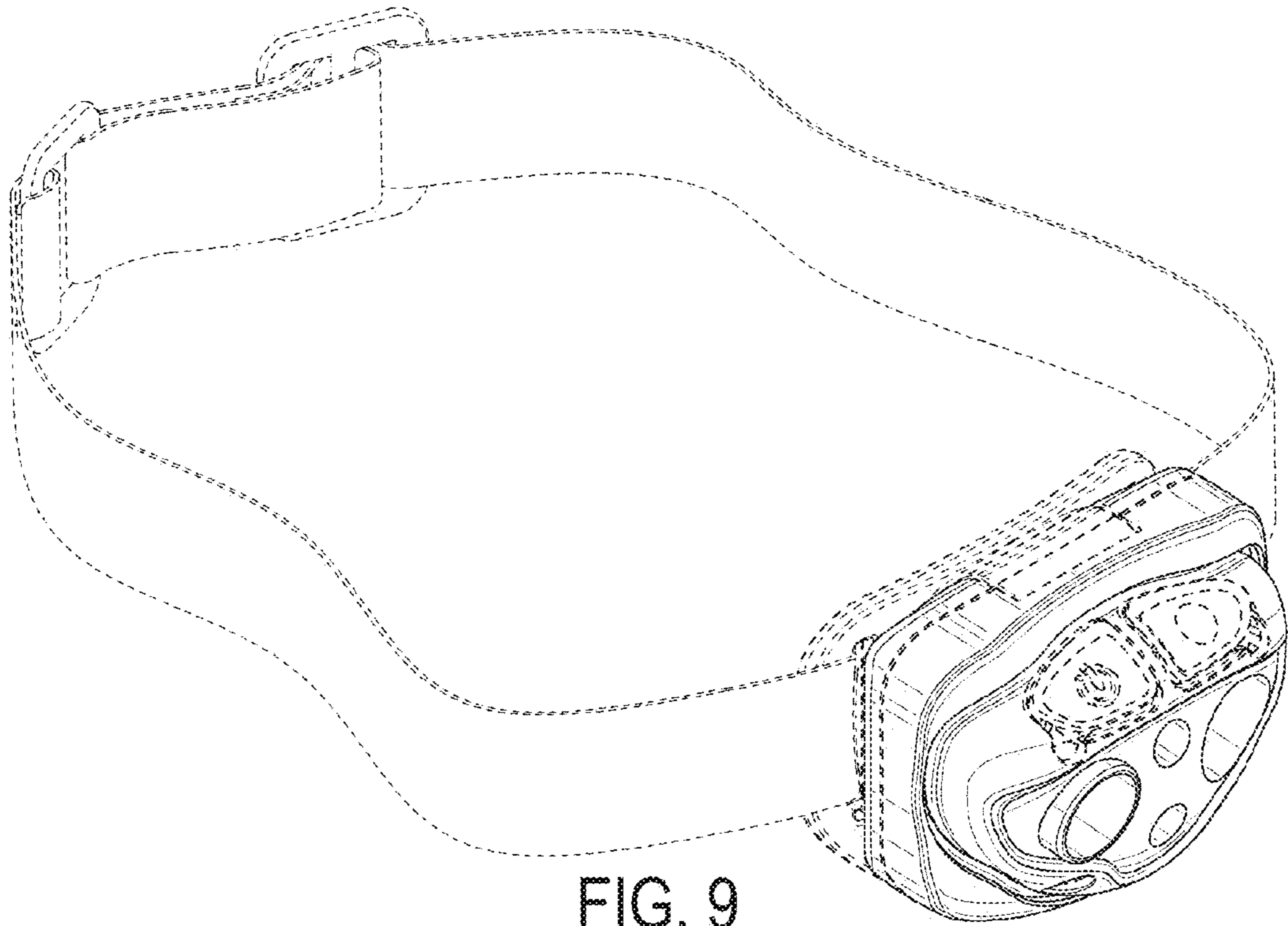


FIG. 9

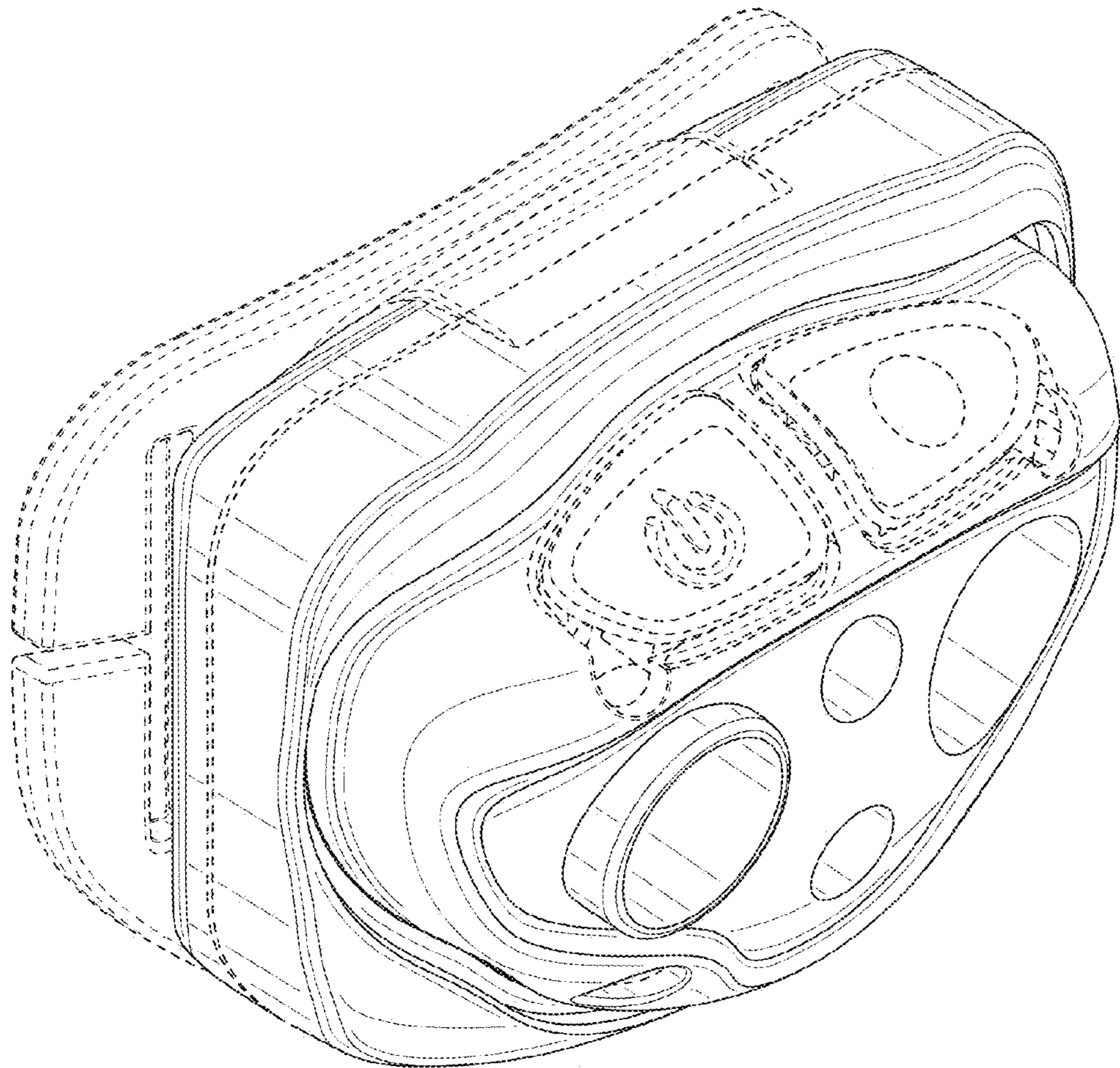


FIG. 10

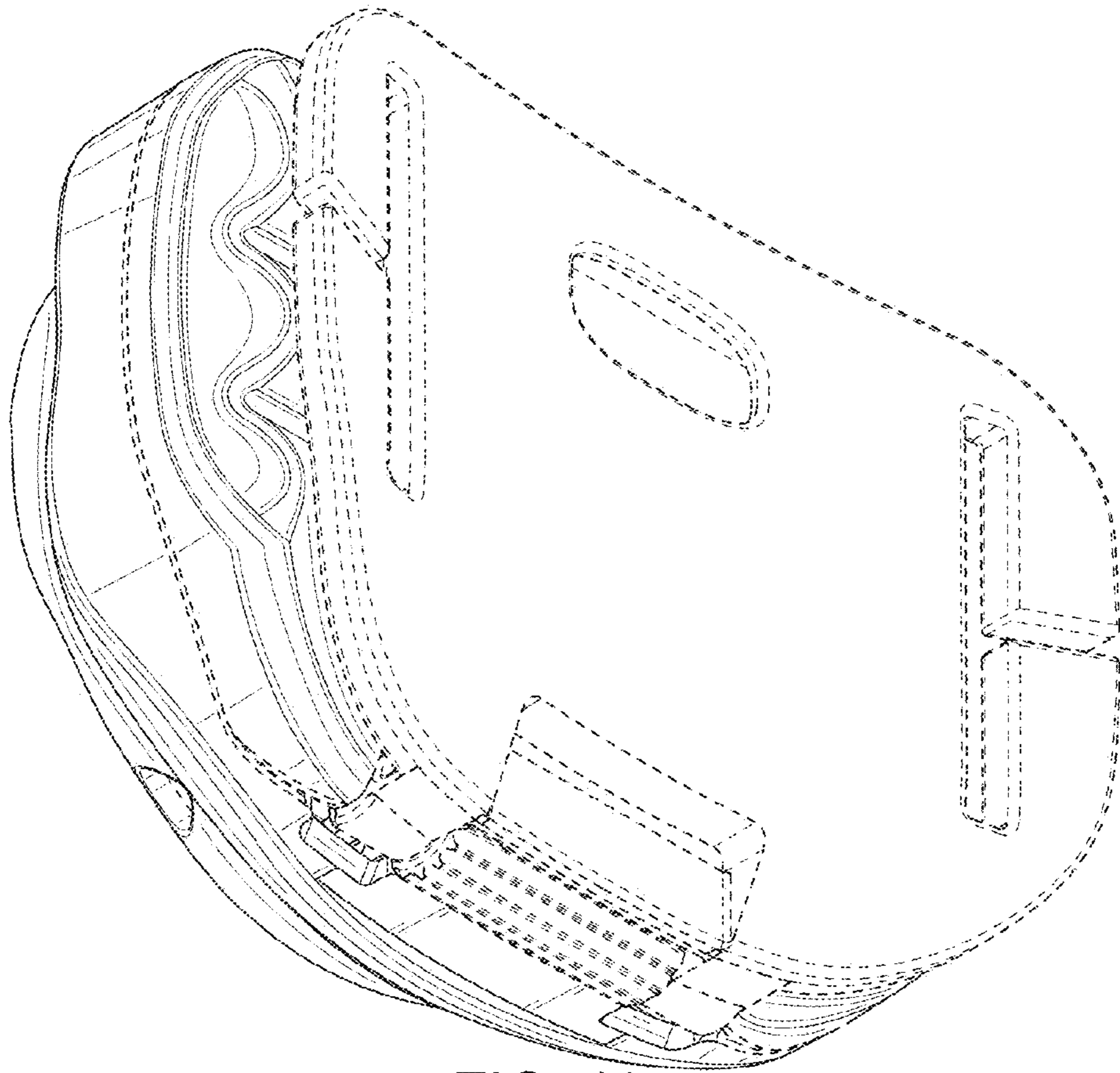


FIG. 11

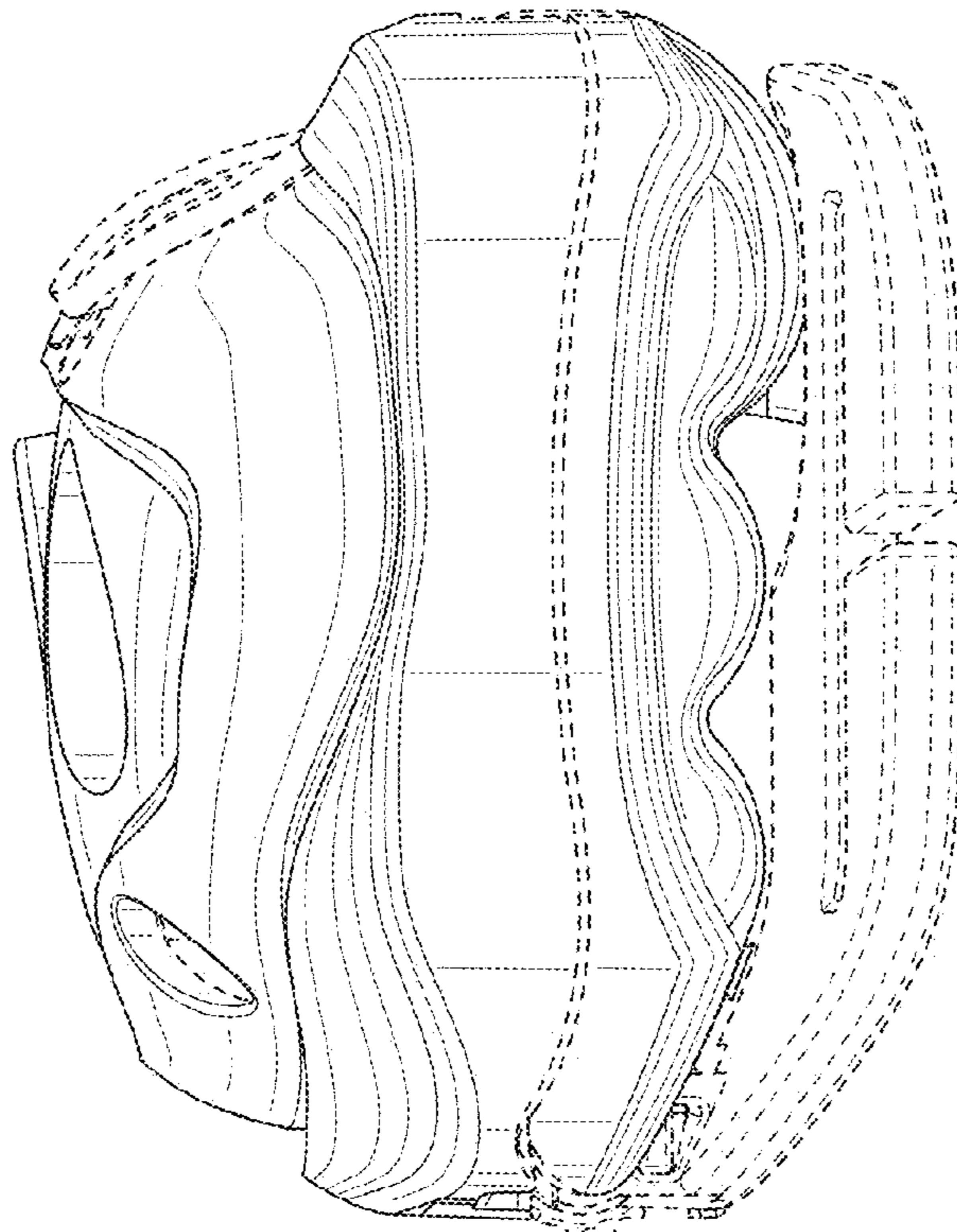


FIG. 12

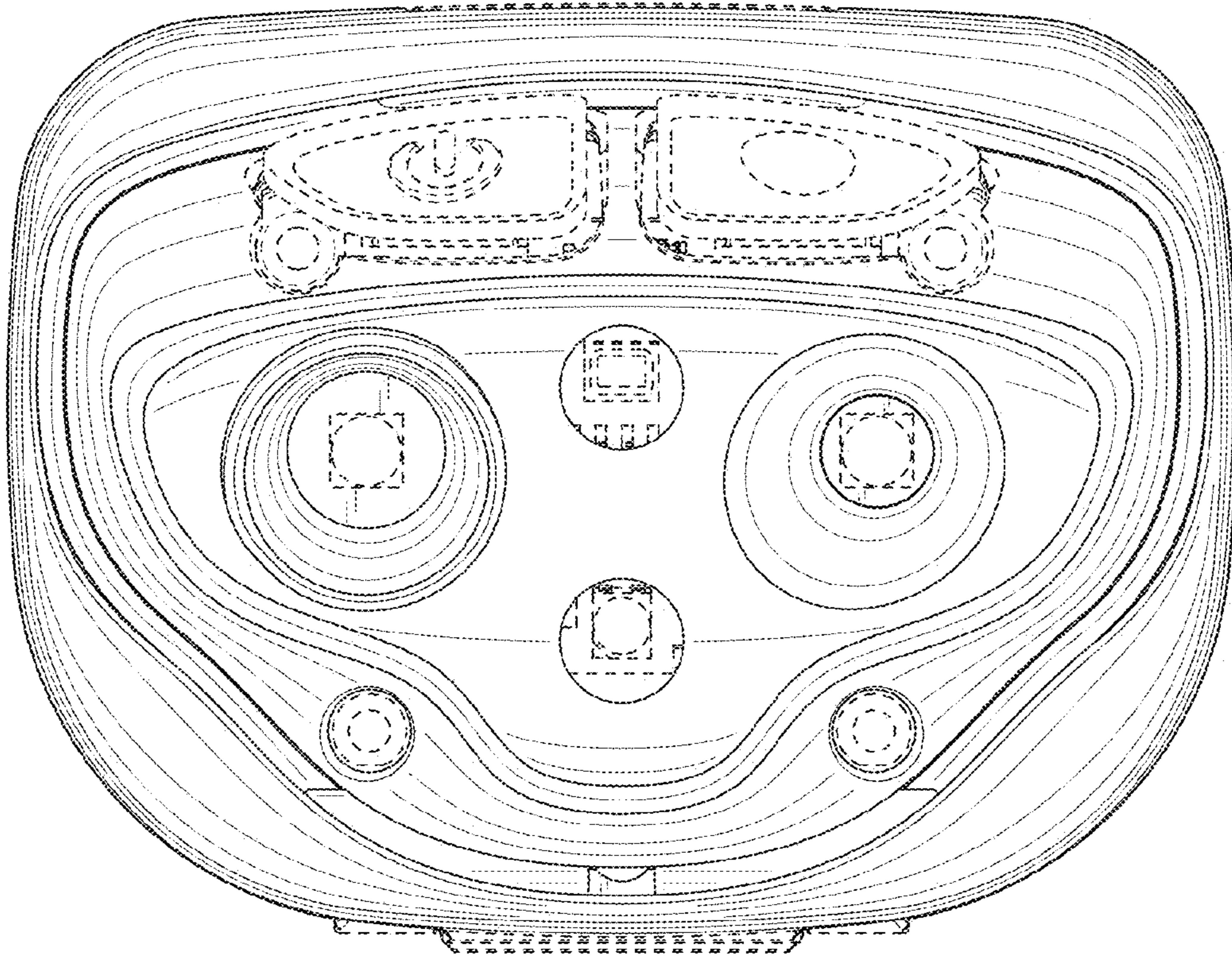


FIG. 13

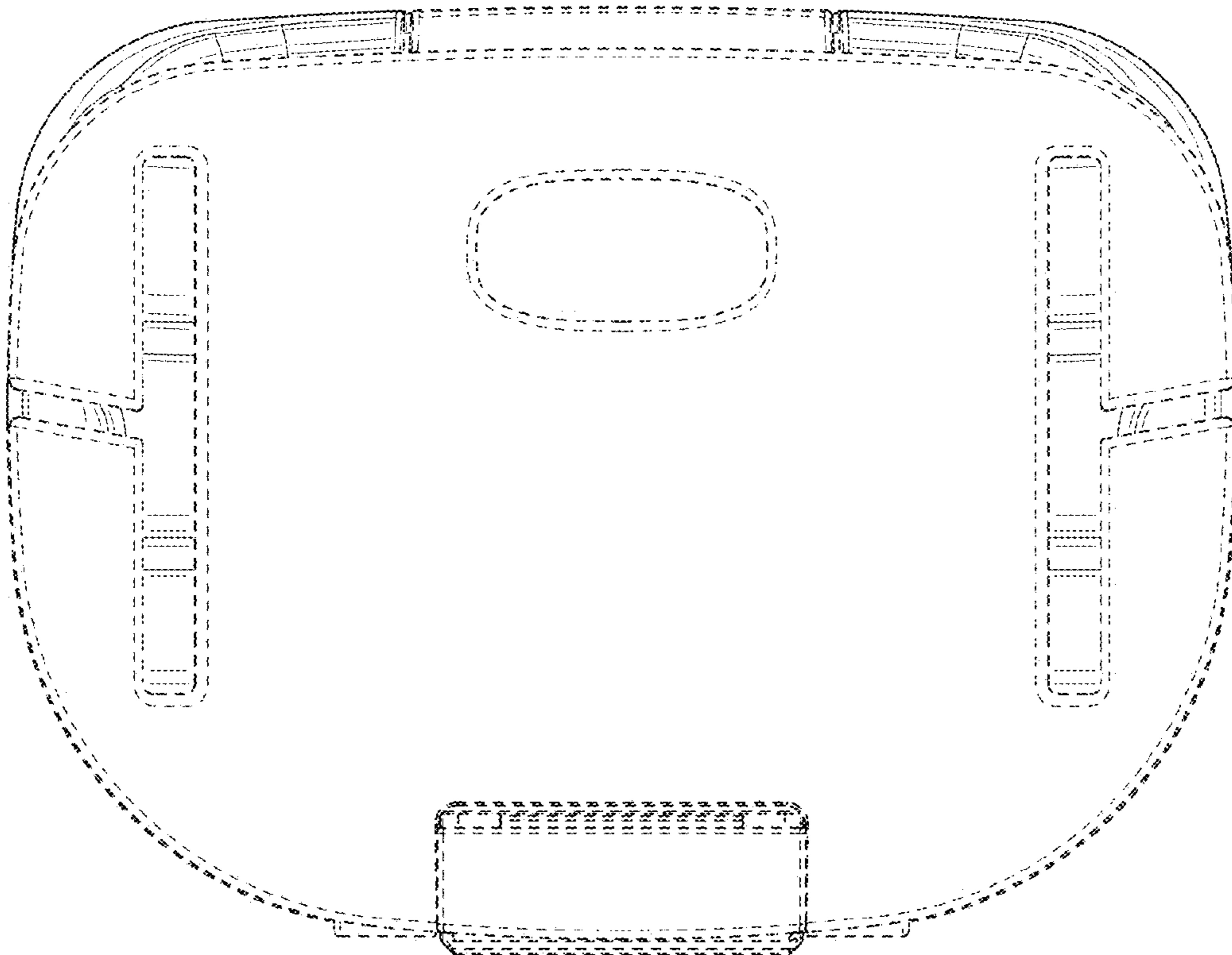


FIG. 14

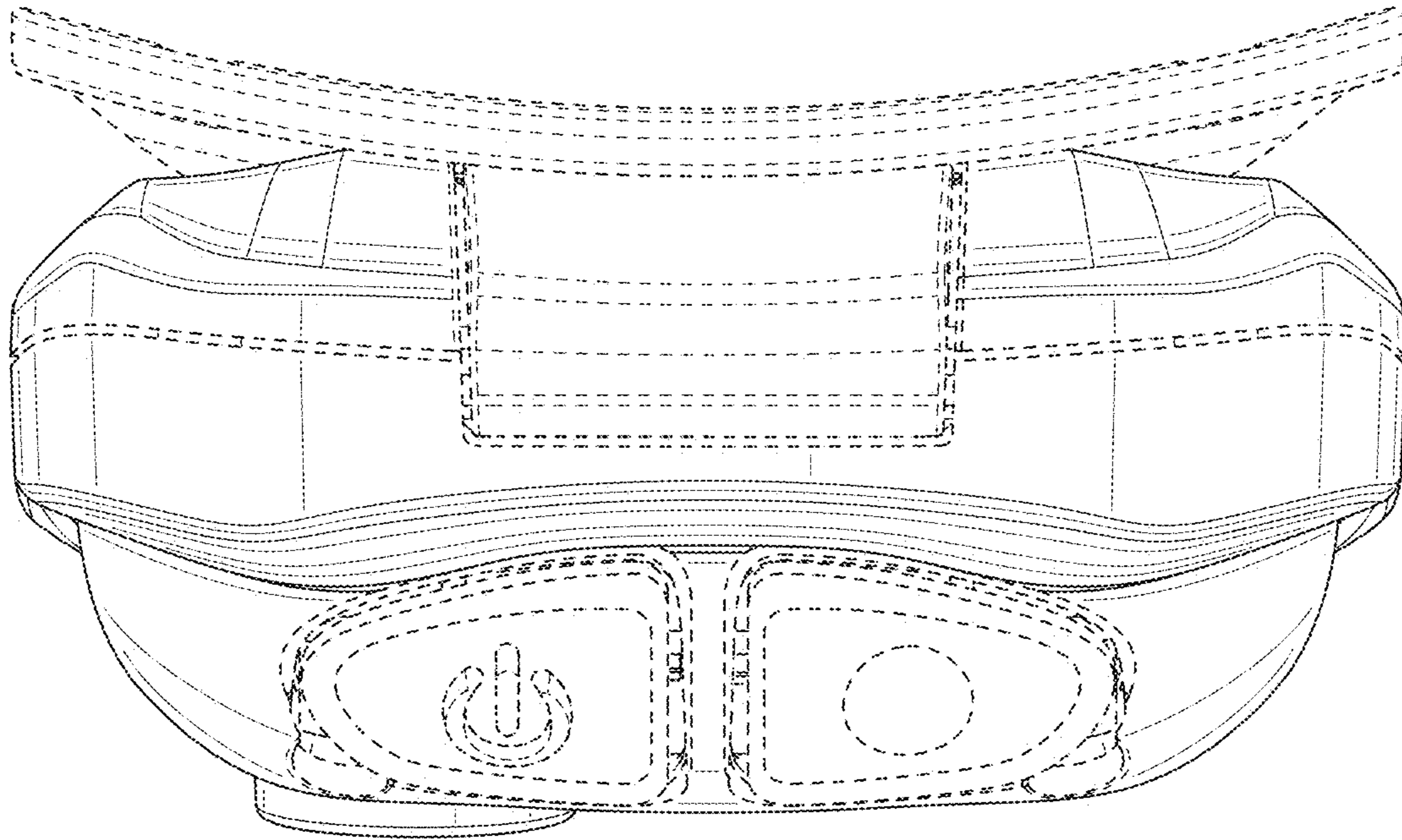


FIG. 15

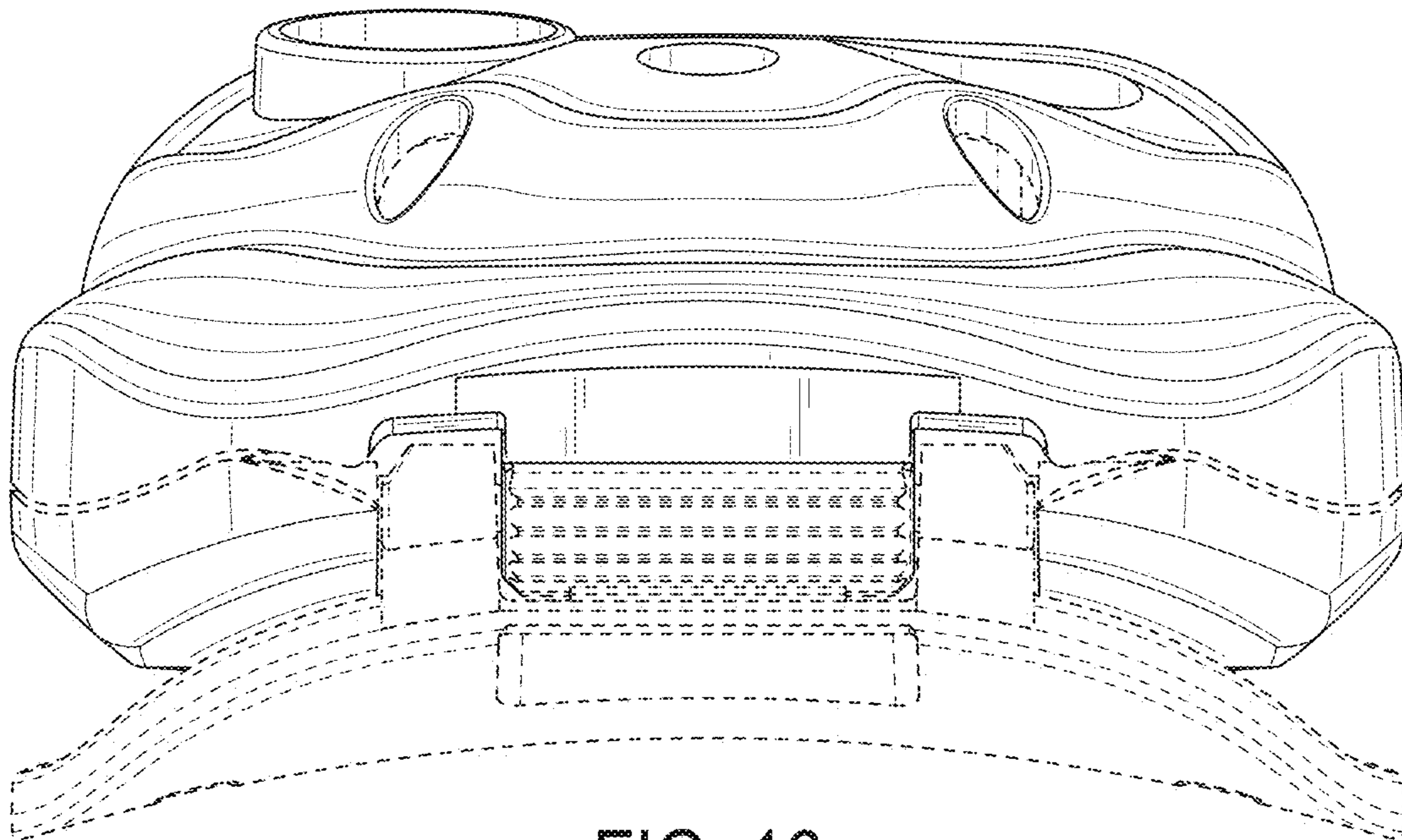


FIG. 16