



US00D884942S

(12) **United States Design Patent**
Sharrah et al.

(10) **Patent No.:** **US D884,942 S**

(45) **Date of Patent:** **** May 19, 2020**

(54) **LIGHTING DEVICE**

(71) Applicant: **Streamlight, Inc.**, Eagleville, PA (US)

(72) Inventors: **Raymond L. Sharrah**, Collegeville, PA (US); **Gregory A. Roshak**, Norristown, PA (US); **Cleatis Eichelberger**, East Norriton, PA (US)

(73) Assignee: **Streamlight, Inc.**, Eagleville, PA (US)

(**) Term: **15 Years**

(21) Appl. No.: **29/663,640**

(22) Filed: **Sep. 18, 2018**

(51) **LOC (12) Cl.** **26-02**

(52) **U.S. Cl.**
USPC **D26/37**

(58) **Field of Classification Search**
USPC D26/1, 24, 25, 43, 60, 110, 113, 28, 37,
D26/61, 85, 102, 138-140; 362/249.14,
362/311.02, 311.13
CPC F21S 4/00; F21S 4/10; F21S 4/15; F21S
4/26; F21S 2/00; F21V 11/02; F21V
11/06; F21V 17/10; F21V 17/16; F21V
21/0296; F21V 21/0054; F21V 21/008;
F21V 21/00; F21V 21/08; F21V 23/00;
F21V 23/04; F21V 33/00; F21W 2121/00;
F21W 2121/04; F21Y 2115/10; F21L
4/00; F21L 4/02; F21L 4/04; F21L 4/08
See application file for complete search history.

(56) **References Cited**

U.S. PATENT DOCUMENTS

D427,346 S *	6/2000	Schoen	D26/45
D445,925 S *	7/2001	Parker	D26/37
D481,816 S	11/2003	Sharrah et al.		
D521,170 S	5/2006	Craft et al.		
D521,666 S	5/2006	Chean		
D521,667 S	5/2006	Chean		
D527,476 S	8/2006	Craft		

D548,863 S	8/2007	Shiu
D549,369 S	8/2007	DeBrunner
D557,838 S	12/2007	Shiu
D557,840 S	12/2007	Shiu
D564,116 S	3/2008	Linardos
D565,770 S	4/2008	Shiu
D566,309 S	4/2008	Kornfeld et al.
D568,515 S	5/2008	Liu

(Continued)

OTHER PUBLICATIONS

Streamlight—Polytac 90 Right Angle Light, [online], [Retrieved on Aug. 28, 2018], Retrieved from the internet: <<https://www.streamlight.com/en/products/detail/index/polytac-90>>.

(Continued)

Primary Examiner — Abraham Bahta

(74) *Attorney, Agent, or Firm* — Quarles & Brady LLP; James J. Aquilina

(57) **CLAIM**

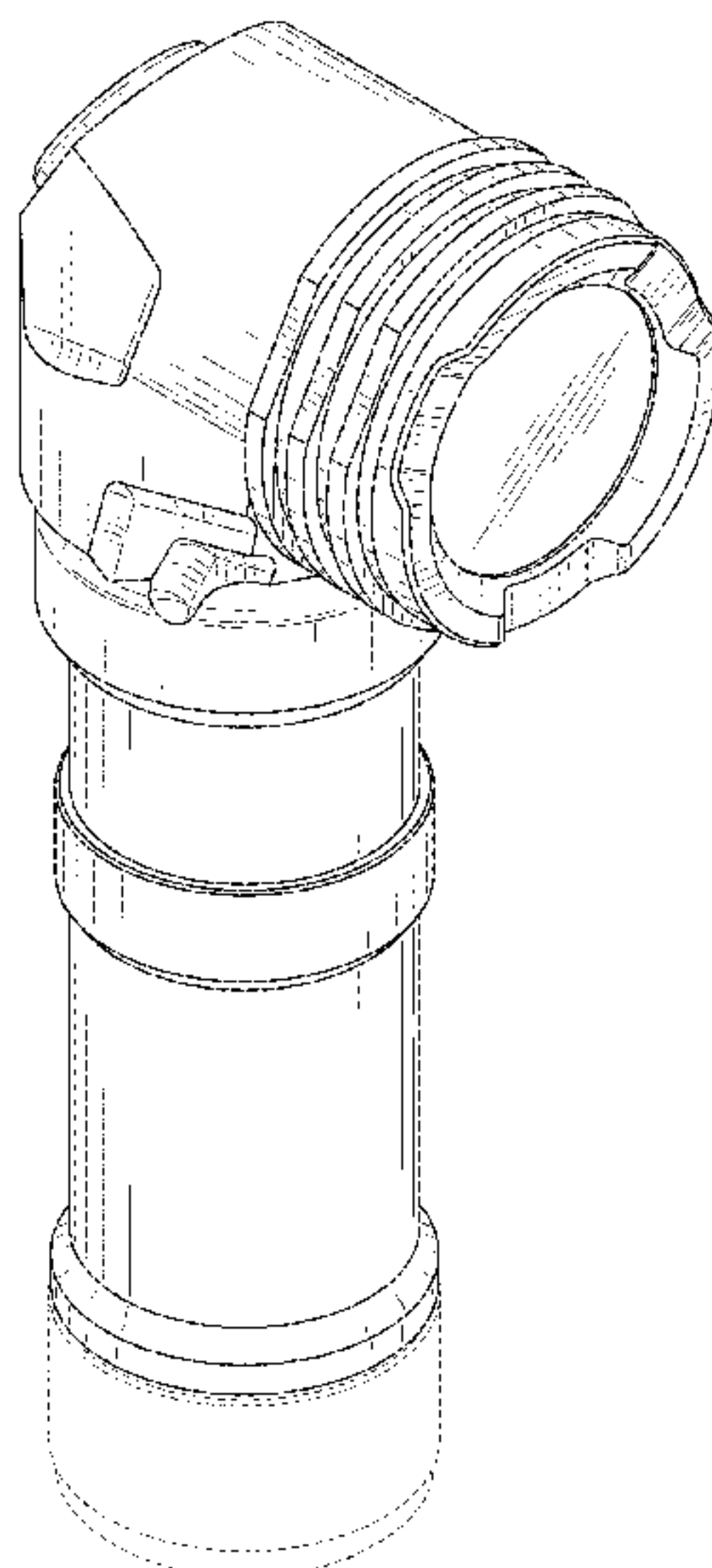
The ornamental design for a lighting device, as shown and described.

DESCRIPTION

FIG. 1 is a front perspective view of a lighting device showing our new design;
FIG. 2 is a front view thereof;
FIG. 3 is a rear view thereof;
FIG. 4 is a left side view thereof;
FIG. 5 is right side view thereof;
FIG. 6 is a top view thereof;
FIG. 7 is a bottom view thereof; and,
FIG. 8 is a front perspective view thereof in an alternate configuration.

The broken lines in the Figures show portions of the lighting device which form no part of the claimed design. The oblique line shading in the Figures shows translucent or transparent materials.

1 Claim, 6 Drawing Sheets



(56)

References Cited

U.S. PATENT DOCUMENTS

D572,395	S	7/2008	Guelzow et al.	
D574,982	S	8/2008	Lau	
D578,236	S	10/2008	Dalton	
D586,025	S	2/2009	Bonis	
D586,489	S	2/2009	Shiu	
D603,988	S	11/2009	Sharrah	
D603,989	S	11/2009	Gardner et al.	
D622,428	S	8/2010	Crawford et al.	
D629,542	S	12/2010	Robinson	
D629,544	S	12/2010	Deguglimo et al.	
D647,232	S	10/2011	Liu	
D647,654	S	10/2011	Li	
D655,027	S	2/2012	Milz et al.	
D681,858	S	5/2013	Sharrah et al.	
D683,877	S	6/2013	Brands et al.	
D687,582	S *	8/2013	Kawase	D26/44
D688,402	S	8/2013	Roshak et al.	
D698,961	S	2/2014	Dalton	
8,662,701	B2	3/2014	Sharrah et al.	
D710,526	S	8/2014	Lee	
D712,080	S *	8/2014	Trude	D26/37
D716,984	S	11/2014	Inskeep	
D744,137	S	11/2015	Ma	
D745,987	S	12/2015	Nawaz	
D747,024	S	1/2016	Windom	
D749,766	S	2/2016	Nguyen	
9,341,324	B2	5/2016	Sharrah	
D769,496	S	10/2016	Inskeep	
D774,229	S	12/2016	Prieto et al.	
D794,857	S	8/2017	Sharrah et al.	
D810,337	S	2/2018	Eichelberger	
D824,060	S *	7/2018	Kunzendorf	D26/45
D833,661	S *	11/2018	Ma	D26/45
2009/0323344	A1	12/2009	Crawford et al.	
2016/0033090	A1	2/2016	Sharrah	

OTHER PUBLICATIONS

Fenix—MC11 LED Flashlight, [online], [Retrieved on Aug. 28, 2018], Retrieved from the internet: <<https://www.fenix-store.com/fenix-mc11-2014-led-flashlight-multi-functional-angle-light/>>.

Fenix—LD15R Right-Angled Rechargeable LED Flashlight, [online], [Retrieved on Aug. 28, 2018], Retrieved from the internet: <<https://www.fenix-store.com/fenix-ld15r-right-angled-rechargeable-led-flashlight/>>.

Nitecore—MT21C 1000 Lumen 90 Degree Tiltable Head Multi-function LED Flashlight, [online], [Retrieved on Aug. 28, 2018], Retrieved from the internet: <https://www.amazon.com/Nitecore-MT21C-Multifunctional-Adjustable-Flashlight/dp/B07C3BFNK3/ref=asc_df_B07C3BFNK3/?tag=hyprod-20&linkCode=df0&hvadid=241887629712&hvpos=1o1&hvnetw=g&hvrand=11164232744439710630&hvpone=&hvptwo=&hvqmt=&hvdev=c&hvdvcmdl=&hvlocint=&hvlocphy=9006986&hvtargid=pla-463288118614&pvc=1>.

Uniquefire—UF-V4-A Angle Shape Design Cree XPE 250-Lumen 90 Degree Mini LED Flashlight Lamp, [online], [Retrieved on Aug. 28, 2018], Retrieved from the internet: <<https://ca.lightmalls.com/uniquefire-uf-v4-a-angle-shape-design-cree-xpe-250-lumen-90-degree-mini-led-flashlight-lamp/>>.

Streamlight—Pro Tac HL USB Flashlight, [online], [Retrieved on Aug. 30, 2018], Retrieved from the internet: <https://www.streamlight.com/pdf/protac-hl-usb_en.pdf>.

Streamlight—Pro Tac 1AA Flashlight, [online], [Retrieved on Aug. 30, 2018], Retrieved from the internet: <https://www.streamlight.com/pdf/protac-11-1aa_en.pdf>.

Streamlight—Pro Tac 1L Flashlight, [online], [Retrieved on Aug. 30, 2018], Retrieved from the internet: <<https://www.streamlight.com/en/products/detail/index/protac-1l>>.

Streamlight—NightFighter LED Flashlight, [online], [Retrieved on Aug. 30, 2018], Retrieved from the internet: <<https://www.streamlight.com/products/detail/index/nightfighter-led>>.

Streamlight—Stylus Pro Alkaline Battery-Powered LED Penlight, [online], [Retrieved on Aug. 30, 2018], Retrieved from the internet: <<https://www.streamlight.com/en/products/detail/index/stylus-pro>>.

Eveready Industries India Ltd—Digi LED Torch, [online], [Retrieved on Aug. 30, 2018], Retrieved from the internet: <<https://www.tradeindia.com/fp60373/DigiLED-Torch.html>>.

Streamlight—Stylus Pro Penlight, [online], [Retrieved on Sep. 6, 2018], Retrieved from the internet: <<https://www.streamlight.com/en/products/detail/index/stylus-pro>>.

Streamlight—66403 PolyStylus Penlight with Green LED, Black, [online], [Retrieved on Sep. 6, 2018], Retrieved from the internet: <<https://www.amazon.com/Streamlight-66403-PolyStylus-Penlight-Green/dp/B002ED6S7K>>.

Streamlight—TL-2 LED Flashlight, [online], [Retrieved on Sep. 6, 2018], Retrieved from the internet: <<https://www.streamlight.com/en/products/detail/index/tl-2-led>>.

Streamlight—88106 TL-3 3-Lithium LED Tactical Flashlight, Black [online], [Retrieved on Sep. 6, 2018], Retrieved from the internet: <<https://www.amazon.com/Streamlight-88106-3-Lithium-Tactical-Flashlight/dp/B00008VE4E>>.

Streamlight—ProTac HL Professional Tactical Light, [online], [Retrieved on Sep. 6, 2018], Retrieved from the internet: <https://tacticalgear.com/streamlight-protac-hl-professional-tactical-light-black?hp=y&gclid=EAlaQobChMI_f_t5d6V3QIVxCaGCh1bzgTiEAQYBCABEGJHRPD_BwE#/16078/653/1&dl=b>.

Fenix—E21 Flashlight, [online], [Retrieved on Sep. 6, 2018], Retrieved from the internet: <<http://www.fenixlight.com/ProductMore.aspx?id=47#.W4hkruhKiUk>>.

Fenix—LD20 (R4) Variable Output LED Flashlight, [online], [Retrieved on Sep. 6, 2018], Retrieved from the internet: <<https://www.knifecenter.com/item/FELD20R4/fenix-ld20-r4-variable-output-led>>.

Fenix—LD10 (R4) Variable Output LED Flashlight, [online], [Retrieved on Sep. 6, 2018], Retrieved from the internet: <<https://www.knifecenter.com/item/FELD10R4/fenix-ld10-r4-variable-output-led>>.

Fenix—PD30 (R4) Variable Output LED Flashlight, [online], [Retrieved on Sep. 6, 2018], Retrieved from the internet: <<https://www.knifecenter.com/item/FEPD30R4/fenix-pd30-r4-variable-output-led>>.

Fenix—TK12 (R5) Variable Output Tactical LED Flashlight, [online], [Retrieved on Sep. 6, 2018], Retrieved from the internet: <<https://www.knifecenter.com/item/FETK12R5/fenix-tk12-r5-variable-output-tactical>>.

Fenix—L Series Flashlight, [online], [Retrieved on Sep. 6, 2018], Retrieved from the internet: <<https://www.knifecenter.com/item/FEFXL1DQ50/fenix-l-series-flashlight-od-green>>.

* cited by examiner

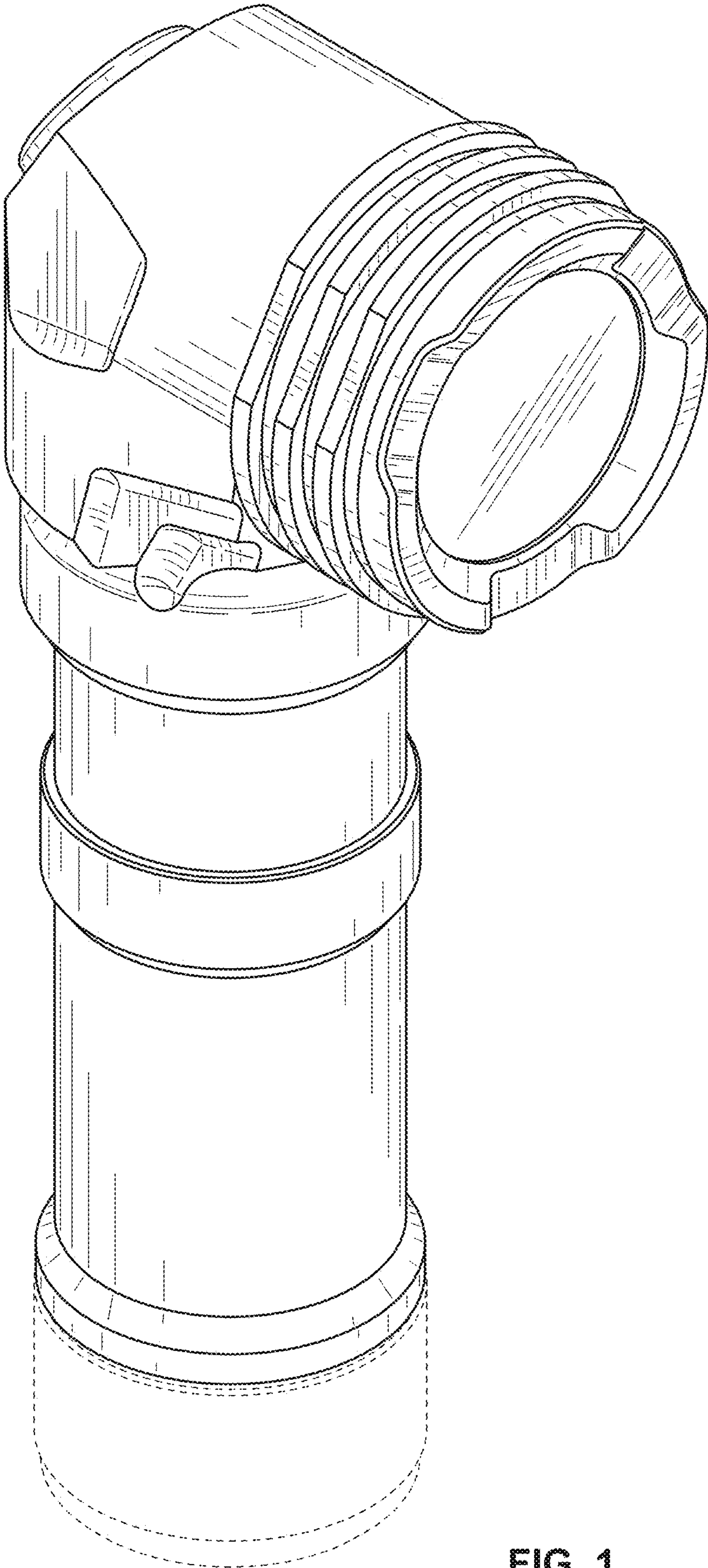


FIG. 1

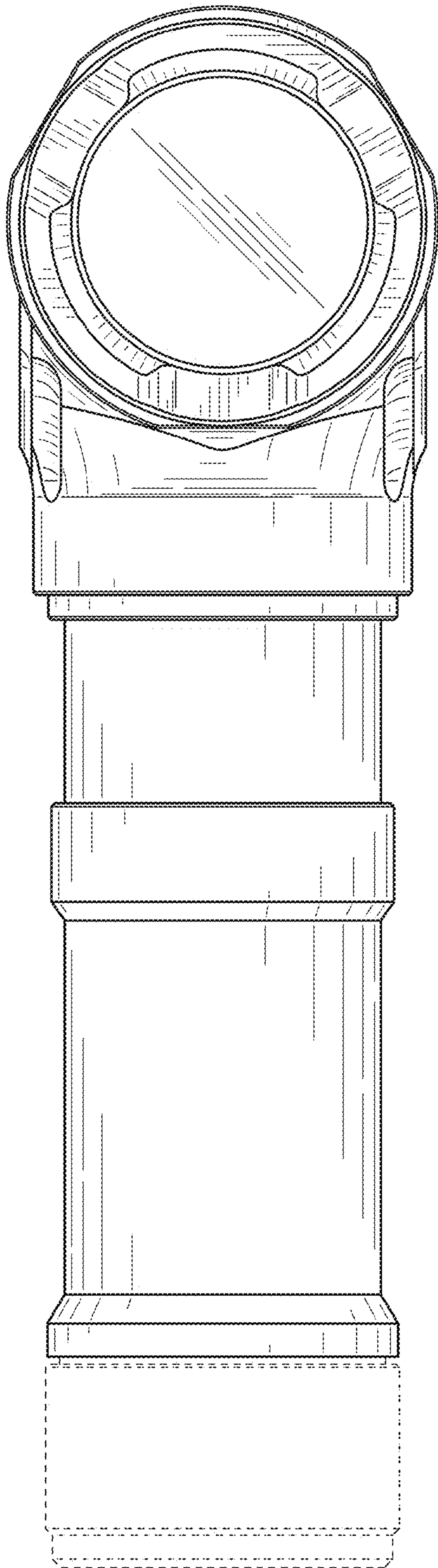


FIG. 2

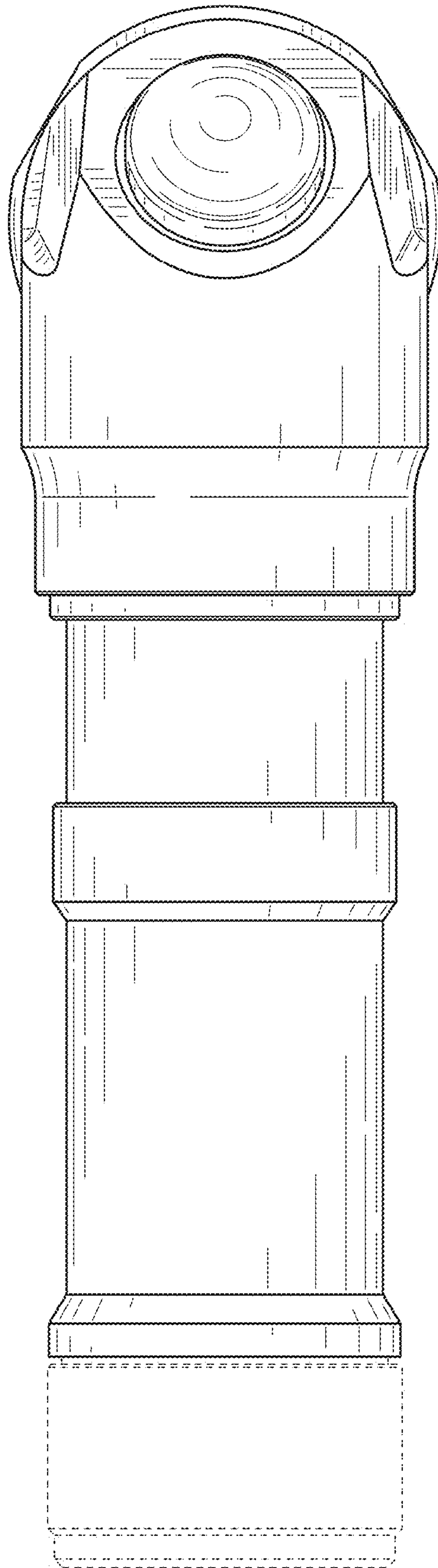


FIG. 3

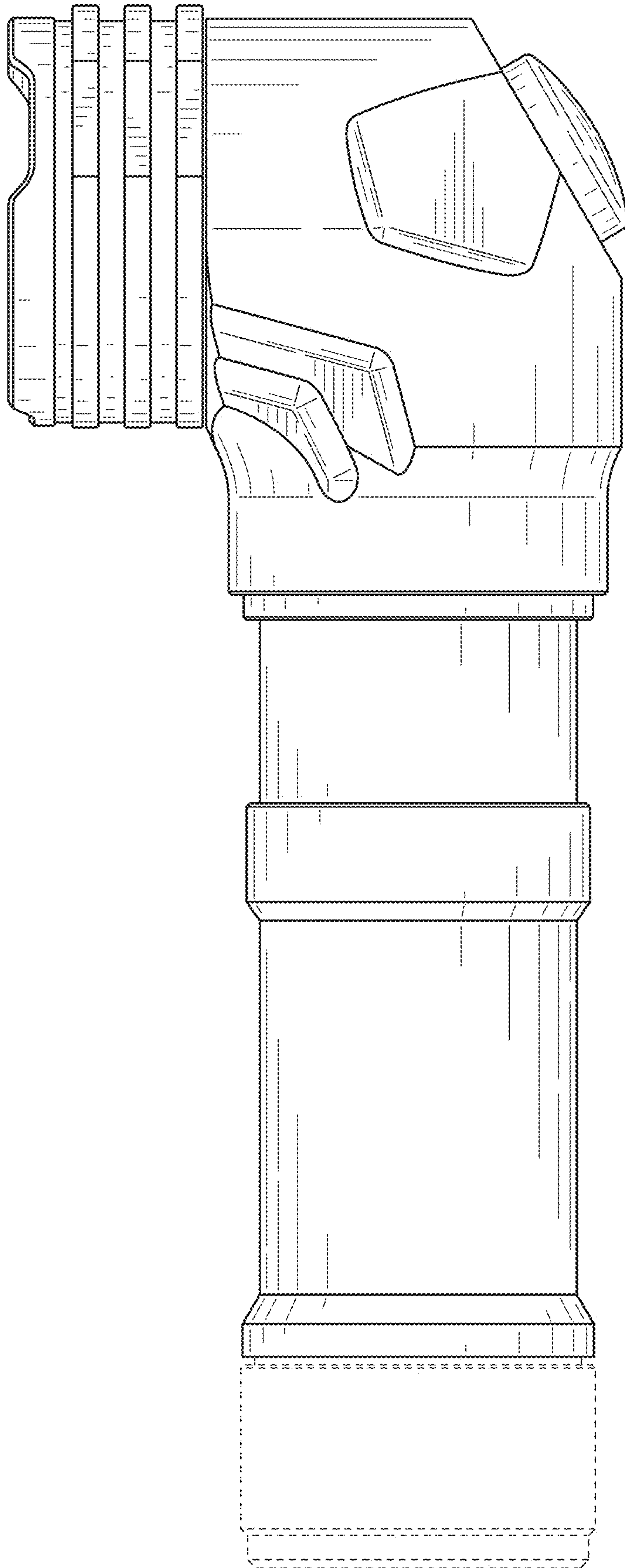


FIG. 4

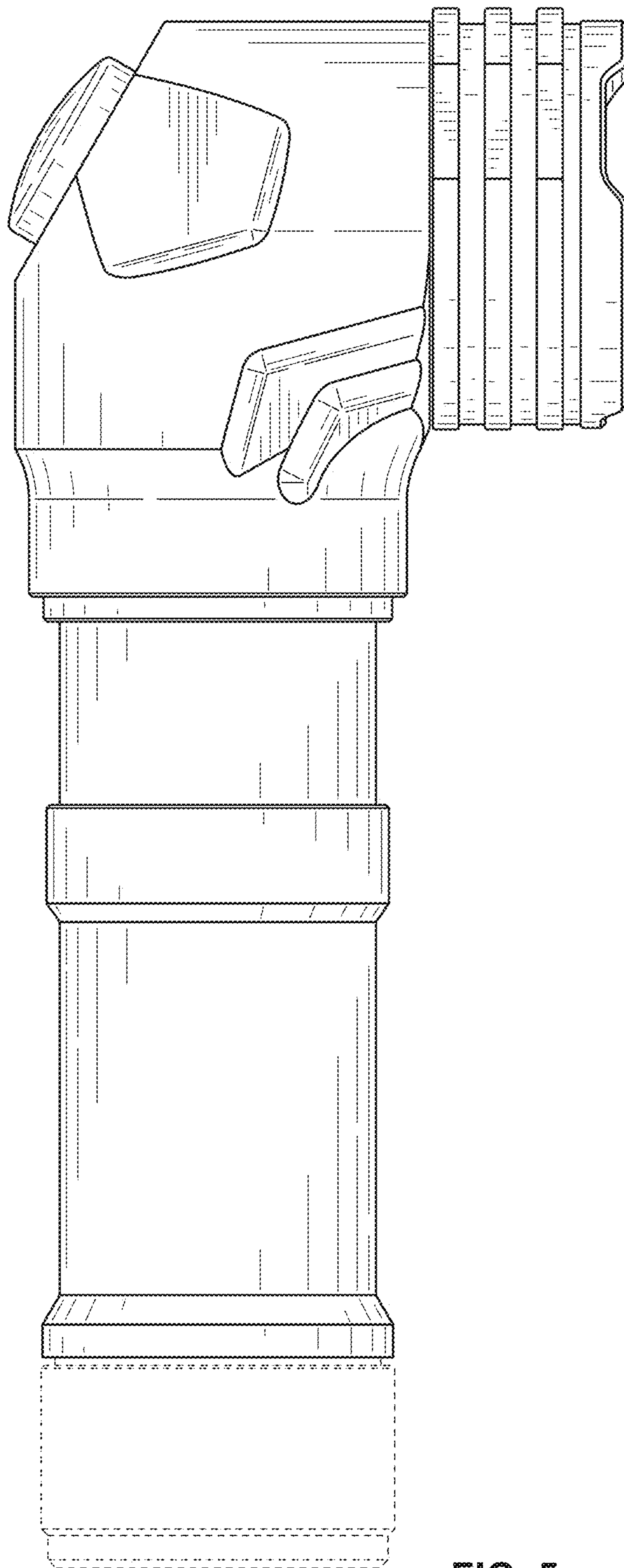


FIG. 5

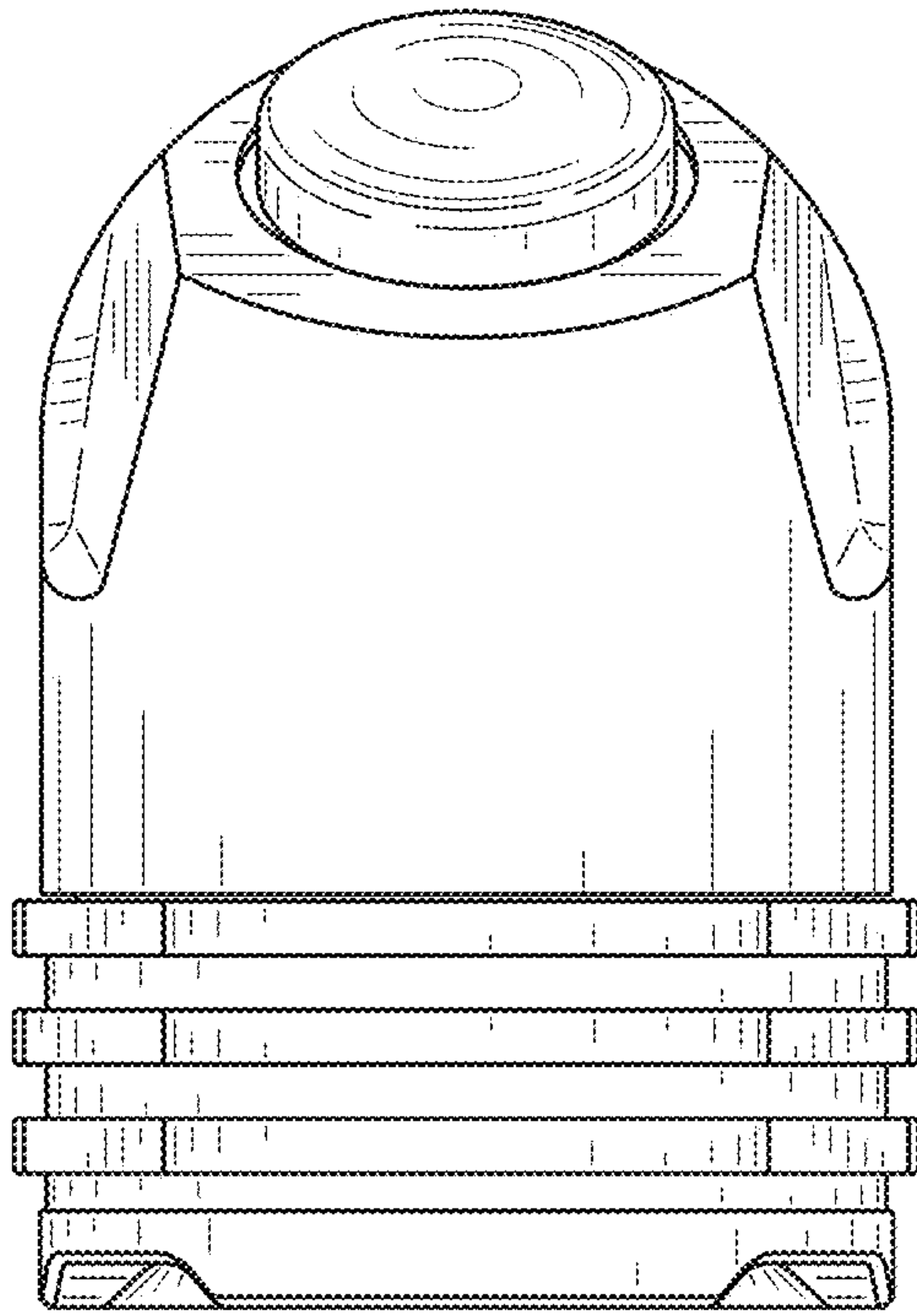


FIG. 6

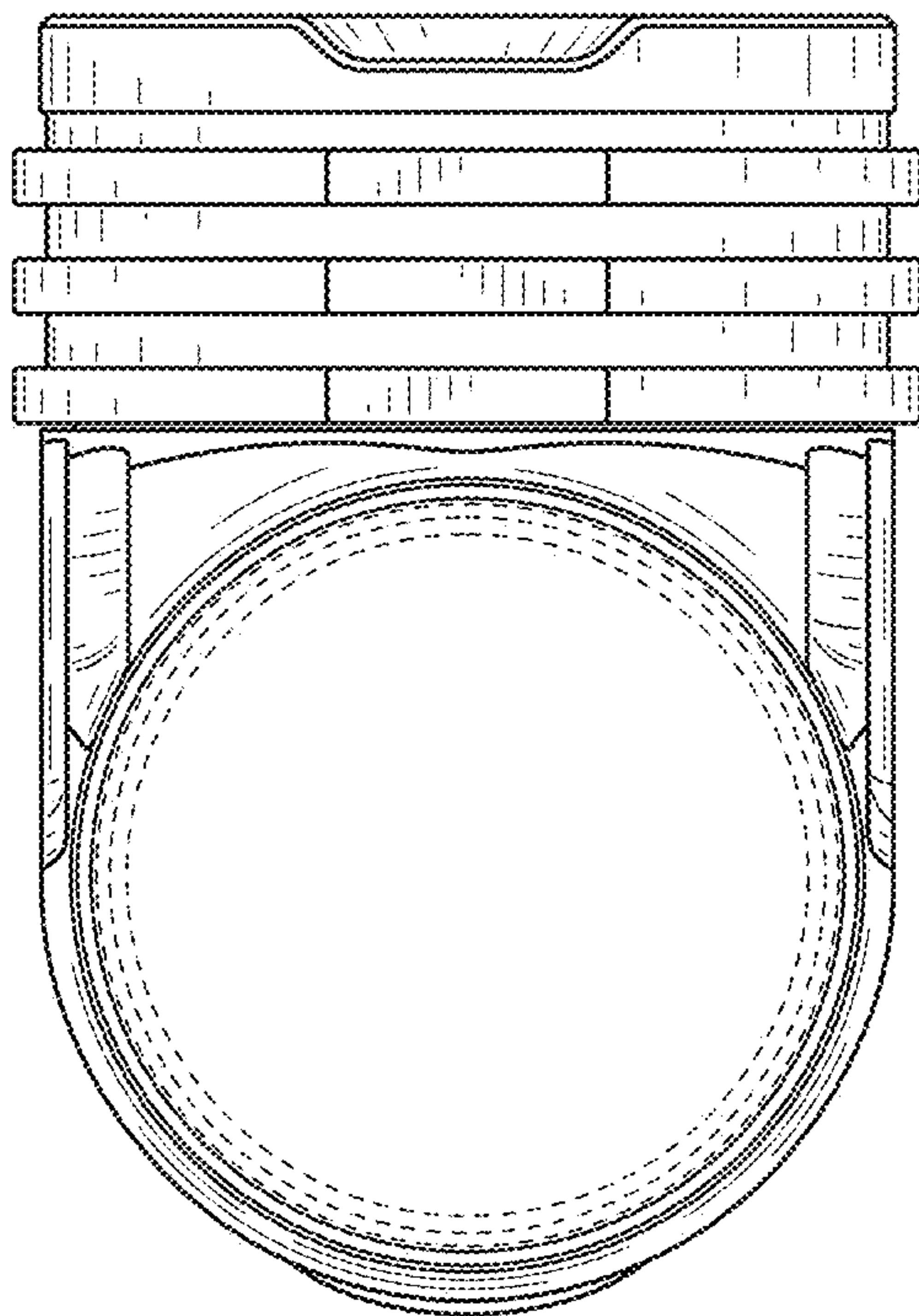


FIG. 7

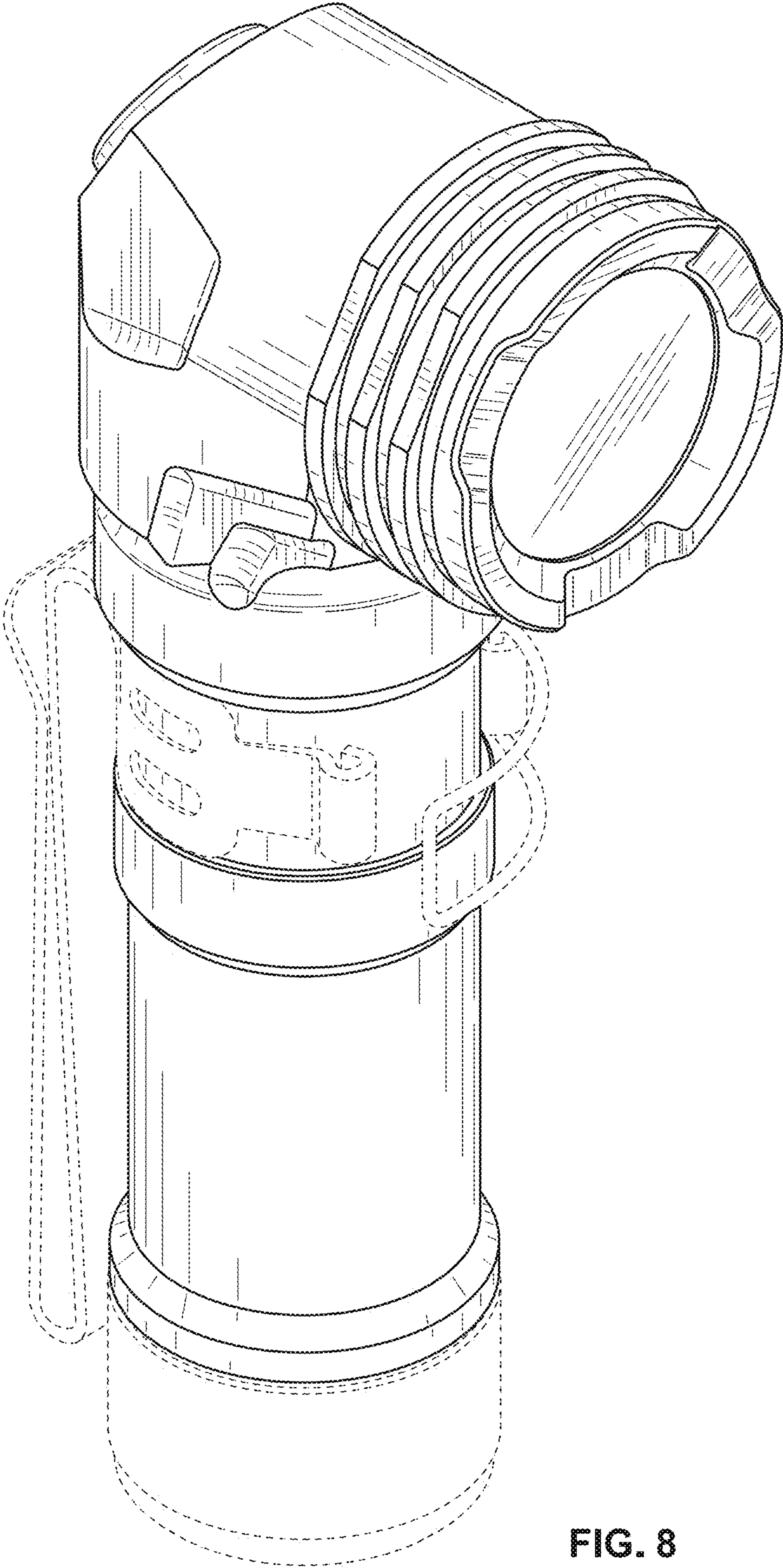


FIG. 8