



US00D884941S

(12) **United States Design Patent** (10) **Patent No.:** **US D884,941 S**
Zaderej et al. (45) **Date of Patent:** **** May 19, 2020**

(54) **PORTABLE LIGHT**
(71) Applicants: **Molex, LLC**, Lisle, IL (US); **Watts of Love**, Downers Grove, IL (US)
(72) Inventors: **Victor Zaderej**, Wheaton, IL (US); **Michael C. Picini**, Aurora, IL (US); **James V. Agro**, Geneva, IL (US); **Patrick McCormick**, Clarendon Hills, IL (US); **Nancy Economou**, Downers Grove, IL (US); **John Economou**, Downers Grove, IL (US); **Kevin Kuster**, Downers Grove, IL (US)

5,720,543 A * 2/1998 Sheps F21L 15/02
362/196
D492,052 S * 6/2004 Schnell D26/39
D549,859 S * 8/2007 Kovacik D26/37
D578,686 S * 10/2008 Dalton D26/37
D604,445 S * 11/2009 Ko D26/60
D635,702 S * 4/2011 Hesse D26/39
D638,964 S * 5/2011 Cappuccio D26/39
D702,863 S * 4/2014 Kotsis D26/37
D707,867 S * 6/2014 Kotsis D26/39
D713,076 S * 9/2014 von Waldthausen D26/37

(Continued)

(73) Assignees: **Molex, LLC**, Lisle, IL (US); **Watts of Love**, Downers Grove, IL (US)

(**) Term: **15 Years**

(21) Appl. No.: **29/621,439**

(22) Filed: **Oct. 8, 2017**

(51) **LOC (12) Cl.** **26-02**

(52) **U.S. Cl.**
USPC **D26/37**

(58) **Field of Classification Search**
USPC D26/37-51
CPC F21L 2003/00; F21L 4/00; F21L 4/005;
F21L 4/02; F21L 4/025; F21L 4/027;
F21L 4/04; F21L 4/08; F21L 2005/00;
F21L 7/00; F21L 11/00; F21L 13/00;
F21L 13/04; F21L 13/08; F21L 14/02;
F21L 17/00; F21L 19/00; F21L 25/00
See application file for complete search history.

(56) **References Cited**

U.S. PATENT DOCUMENTS

D275,523 S * 9/1984 Ader D26/39
D361,396 S * 8/1995 Bruckler D26/39
D362,736 S * 9/1995 Leather D10/114.1
D371,617 S * 7/1996 Anwyl-Davies D26/39

OTHER PUBLICATIONS

Solar Powered Lanyard Light . Publish date 2017, [online], [site visited Jun. 21,2019]. Available from Internet, <https://www.wattsoflove.org/guatemala-2017#guatemala-2017-page-1>, 11 pages. (Year: 2017).*

Primary Examiner — Lakiya G Rogers

Assistant Examiner — Carissa C Fitts

(74) *Attorney, Agent, or Firm* — Banner & Witcoff, Ltd.

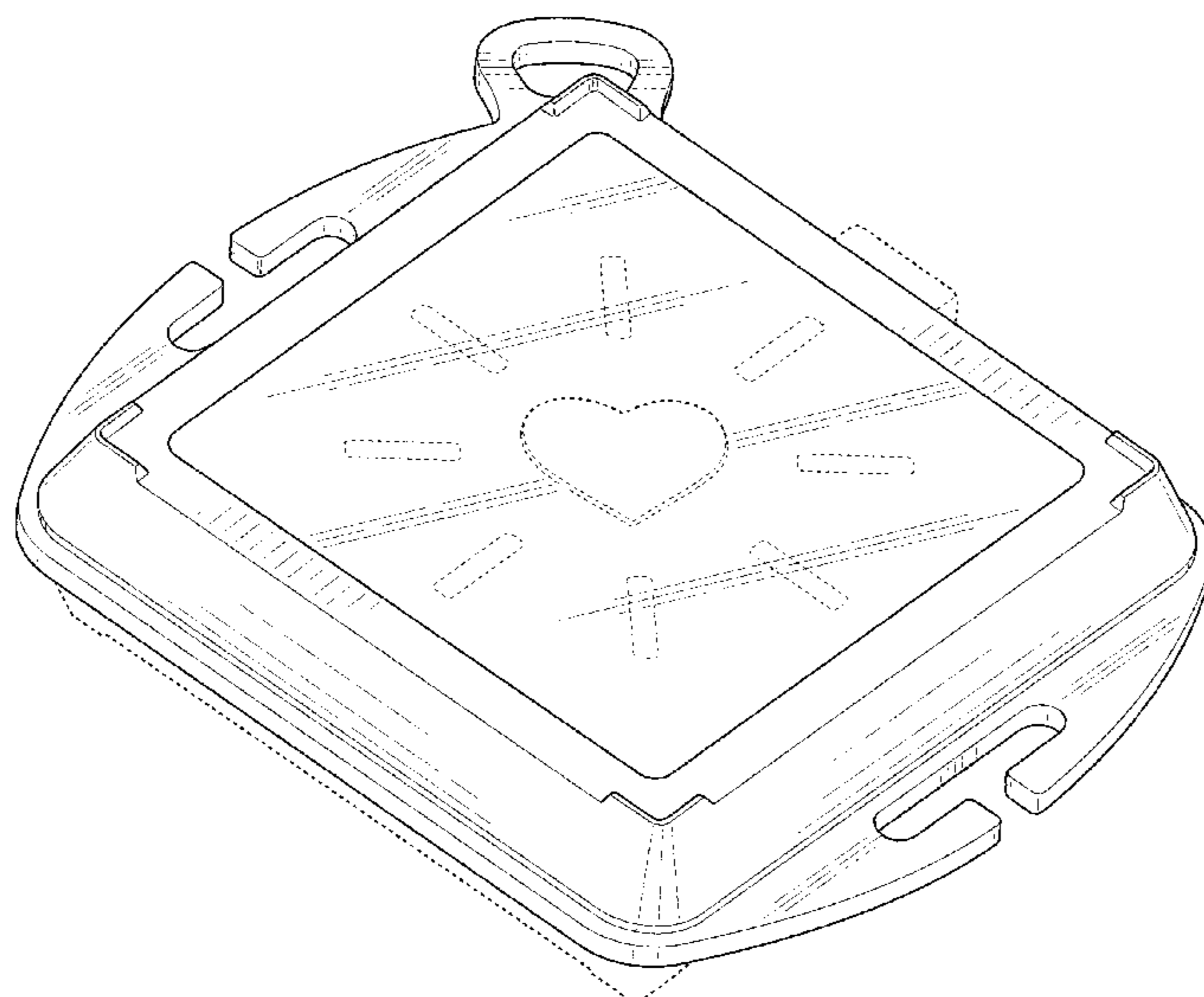
(57) **CLAIM**

The ornamental design for a portable light, as shown and described.

DESCRIPTION

FIG. 1 is a front perspective view of a portable light showing our new design;
FIG. 2 is a front view thereof;
FIG. 3 is a top view thereof;
FIG. 4 is a bottom view thereof;
FIG. 5 is a left side view thereof; and,
FIG. 6 is a right side view thereof.
The broken lines immediately adjacent to the shaded area define the boundary of the claimed design and form no part thereof. The broken line showing of the various unshaded regions of the portable light represents unclaimed environmental subject matter and forms no part of the claimed design.

1 Claim, 6 Drawing Sheets



(56)

References Cited

U.S. PATENT DOCUMENTS

D728,402	S	*	5/2015	Case	D10/114.1
D735,387	S	*	7/2015	Bao	D26/63
D736,442	S	*	8/2015	Kovacik	D26/37
D740,474	S	*	10/2015	Pineau	D26/37
D742,058	S	*	10/2015	Chen	D26/109
D750,307	S	*	2/2016	Borring	D26/63
D775,390	S	*	12/2016	Zimmer	D26/37
D781,284	S	*	3/2017	Suzuki	D14/341
D794,865	S	*	8/2017	Davidson	D26/118
D804,695	S	*	12/2017	Windom	D26/39
D805,667	S	*	12/2017	Green	D26/39
D809,299	S	*	2/2018	Xinos	D3/297
D812,793	S	*	3/2018	Huang	D26/39
D827,292	S	*	9/2018	Lee	D3/211
D828,597	S	*	9/2018	Petzl	D26/39
D835,315	S	*	12/2018	Zhu	D26/44
D838,397	S	*	1/2019	Calisi	D26/51
D840,070	S	*	2/2019	Cramer	D26/37
D841,848	S	*	2/2019	Poffler	D26/37
D842,518	S	*	3/2019	Griffin	D26/51
D845,526	S	*	4/2019	Windom	D26/39
D857,958	S	*	8/2019	Willows	D26/38

* cited by examiner

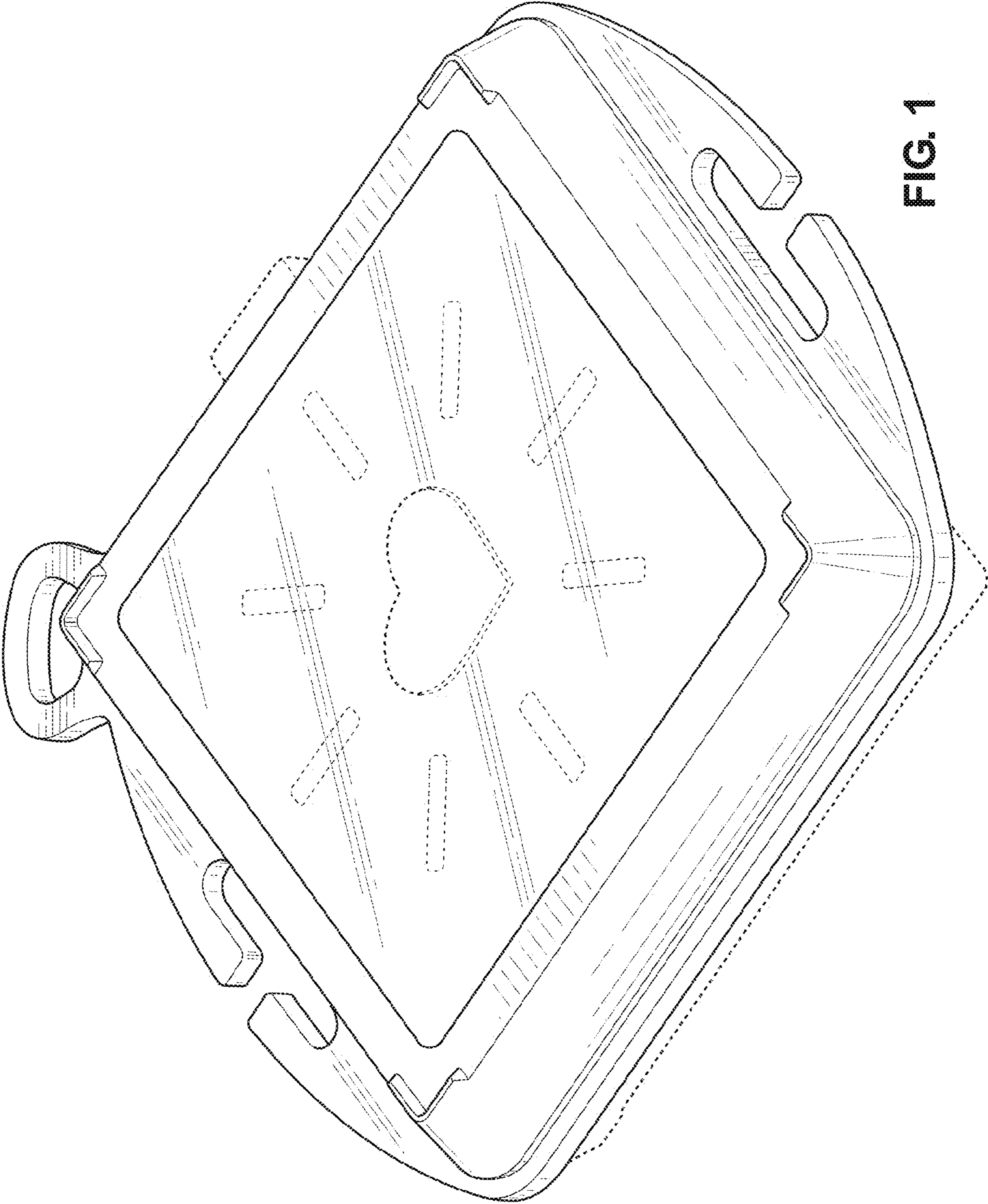


FIG. 1

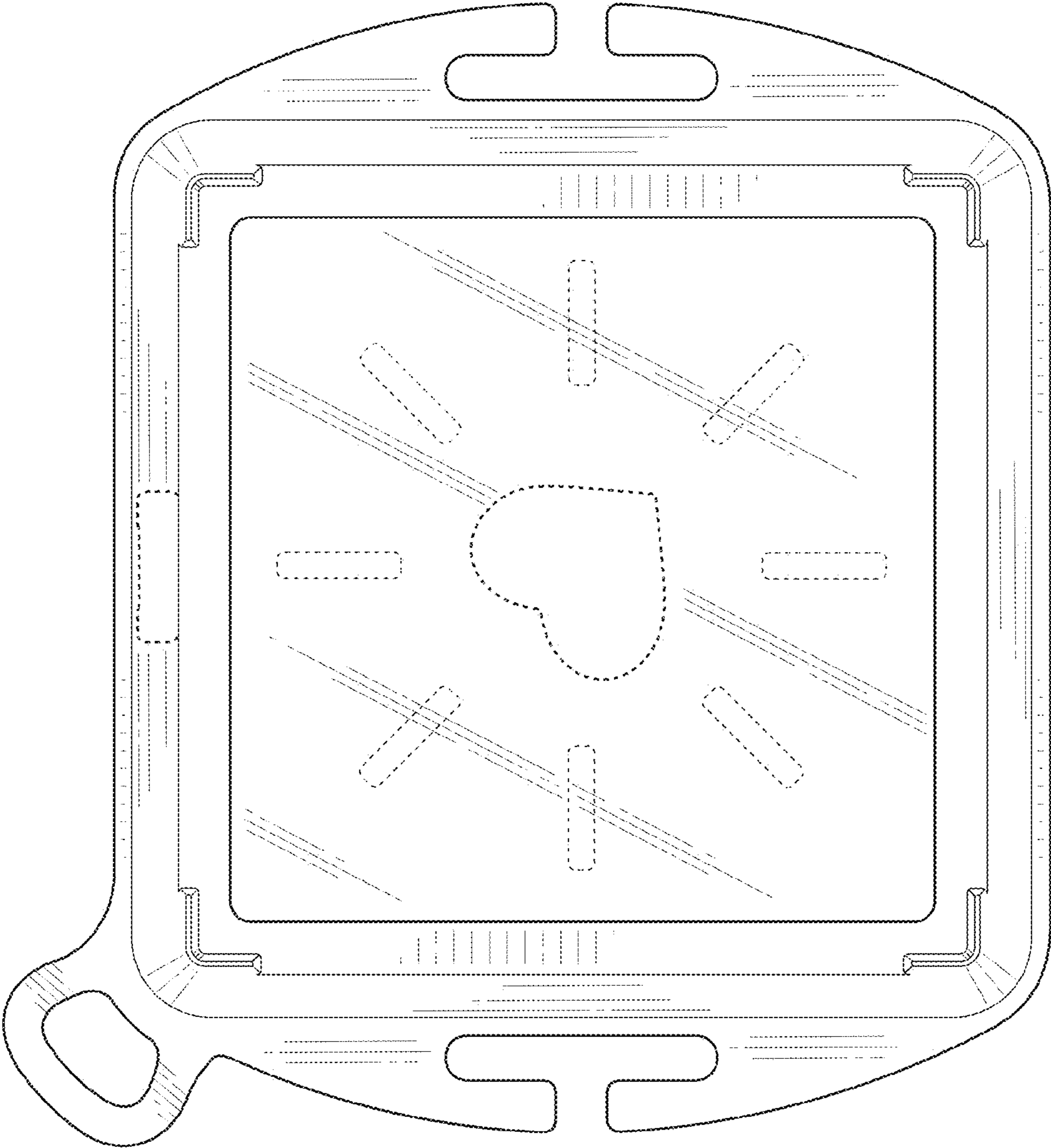


FIG. 2

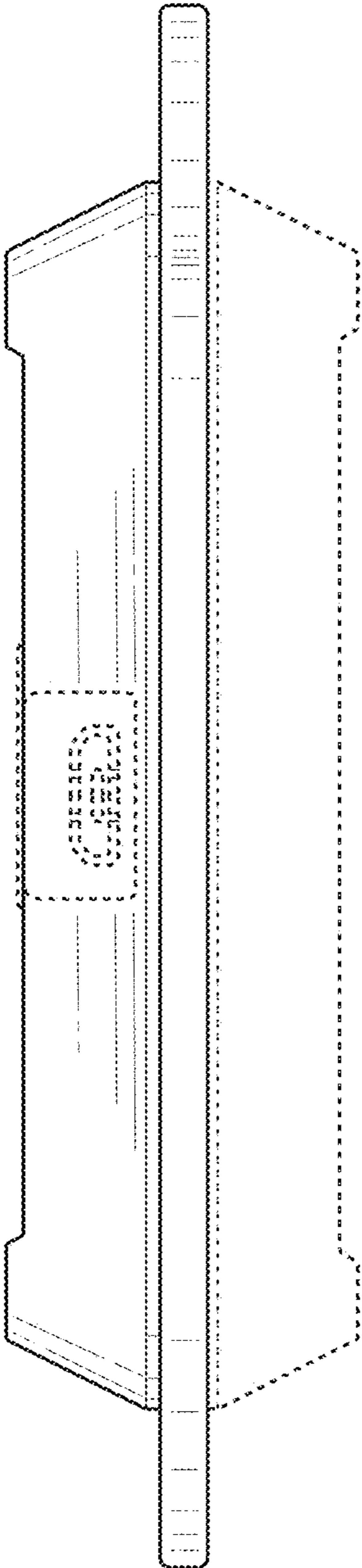


FIG. 3

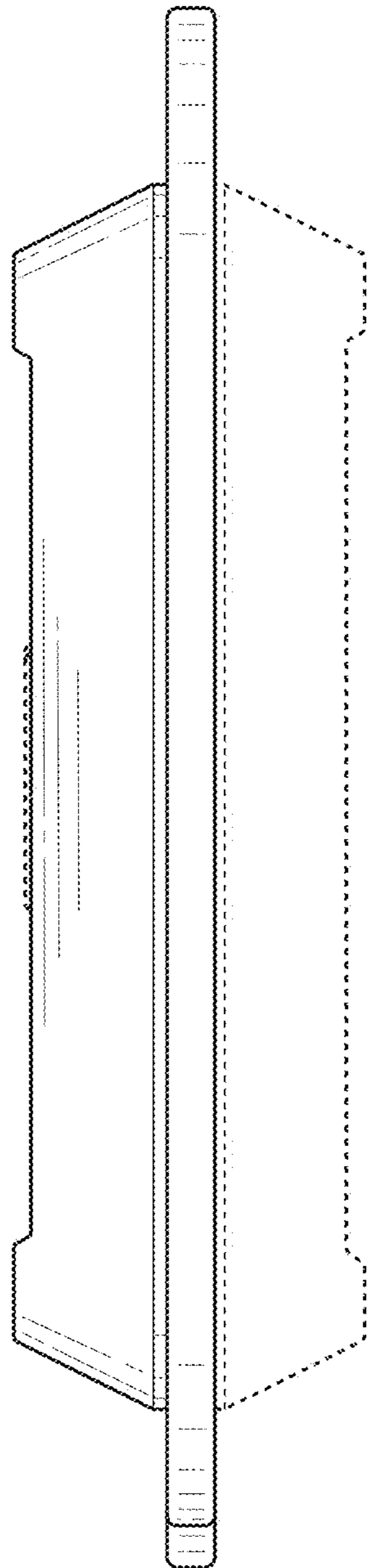


FIG. 4

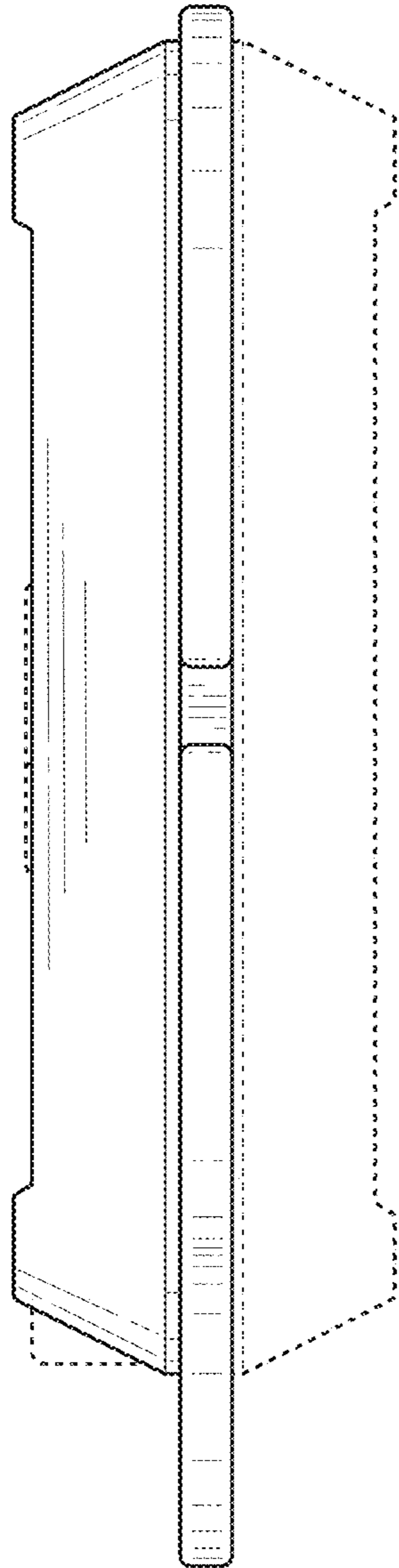


FIG. 5

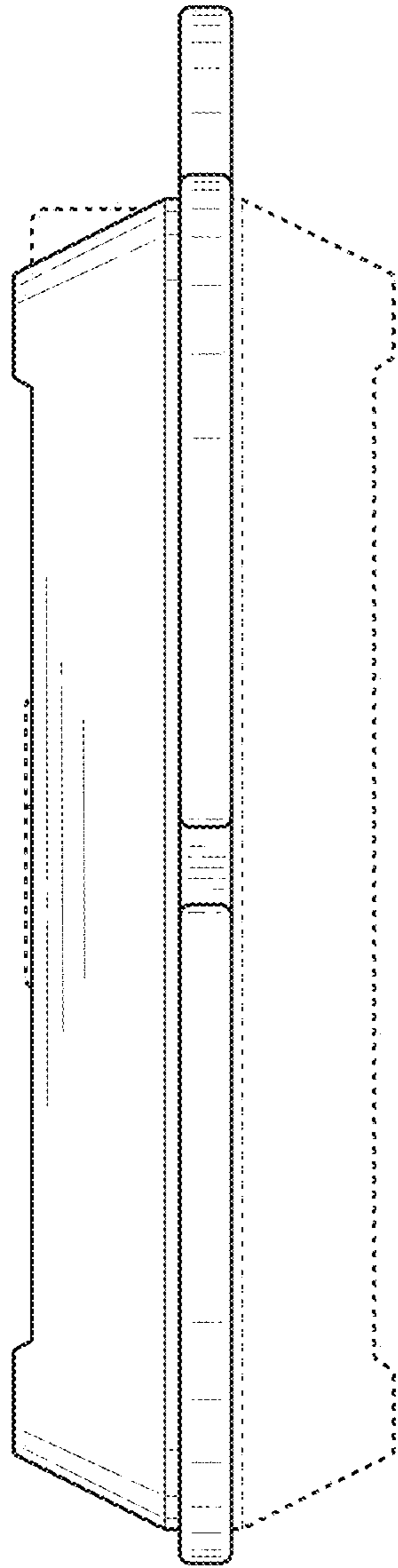


FIG. 6