



US00D884938S

(12) **United States Design Patent** (10) **Patent No.:** **US D884,938 S**  
**Zhai** (45) **Date of Patent:** **\*\* May 19, 2020**

(54) **TAILLIGHT FOR A VEHICLE**  
(71) Applicant: **Bayerische Motoren Werke Aktiengesellschaft, Munich (DE)**

D847,391 S \* 4/2019 Pinazzo ..... D26/28  
D853,606 S \* 7/2019 Nordmann ..... D26/28  
D857,955 S \* 8/2019 Han ..... D26/28  
D864,436 S \* 10/2019 Binder ..... D26/28  
D866,026 S \* 11/2019 Hannemann ..... D26/28

(72) Inventor: **Chunyue Zhai, Munich (DE)**  
(73) Assignee: **Bayerische Motoren Werke Aktiengesellschaft, Munich (DE)**

**FOREIGN PATENT DOCUMENTS**

WO WO DM/098388 5/2018  
WO WO DM/101134 5/2018

(\*\*) Term: **15 Years**

\* cited by examiner

(21) Appl. No.: **29/676,468**

*Primary Examiner* — Angela J Lee

(22) Filed: **Jan. 11, 2019**

(74) *Attorney, Agent, or Firm* — Crowell & Moring LLP

(30) **Foreign Application Priority Data**

(57) **CLAIM**

Jul. 20, 2018 (DE) ..... 40 2018 100 721

The ornamental design for a taillight for a vehicle, as shown and described.

(51) **LOC (12) Cl.** ..... **26-06**

**DESCRIPTION**

(52) **U.S. Cl.**  
USPC ..... **D26/28**

(58) **Field of Classification Search**  
USPC ..... D26/28, 29, 30, 31, 32, 33, 34, 35, 36;  
362/459-468, 475-478, 485-487  
CPC ..... F21S 48/00; F21S 48/10; F21S 48/115;  
F21S 48/225; F21S 48/1233; F21S  
48/1266; F21S 48/1388; F21S 48/2268;  
F21V 21/04

This application contains subject matter related to the following co-pending U.S. design patent applications:  
Application Ser. No. 29/624,715, filed Nov. 3, 2017 and entitled "Taillight for a Vehicle";  
Application Ser. No. 29/646,419, filed May 4, 2018 and entitled "Taillight for a Vehicle";  
Application Ser. No. 29/676,459, filed herewith and entitled "Vehicle, Toy, and/or Replicas Thereof"; and  
Application Ser. No. 29/676,460, filed herewith and entitled "Vehicle, Toy, and/or Replicas Thereof".

See application file for complete search history.

FIG. 1 is a front view of a taillight for a vehicle according to the design;

(56) **References Cited**

**U.S. PATENT DOCUMENTS**

D739,583 S \* 9/2015 Forsgren ..... D26/28  
D768,894 S \* 10/2016 Faghihzadeh ..... D26/28  
D822,862 S \* 7/2018 Hannemann ..... D26/28  
D824,056 S \* 7/2018 Yoon ..... D26/28  
D827,889 S \* 9/2018 Kang ..... D26/35  
D827,928 S \* 9/2018 Kang ..... D28/35  
D842,507 S \* 3/2019 Kim ..... D26/28  
D842,508 S \* 3/2019 Kim ..... D26/28

FIG. 2 is a left, front perspective view thereof;

FIG. 3 is a right, front perspective view thereof;

FIG. 4 is a left side view thereof;

FIG. 5 is a right side view thereof;

FIG. 6 is a top view thereof;

FIG. 7 is a bottom view thereof; and,

FIG. 8 is a rear view thereof.

**1 Claim, 8 Drawing Sheets**







Fig. 1





Fig. 2





Fig. 3



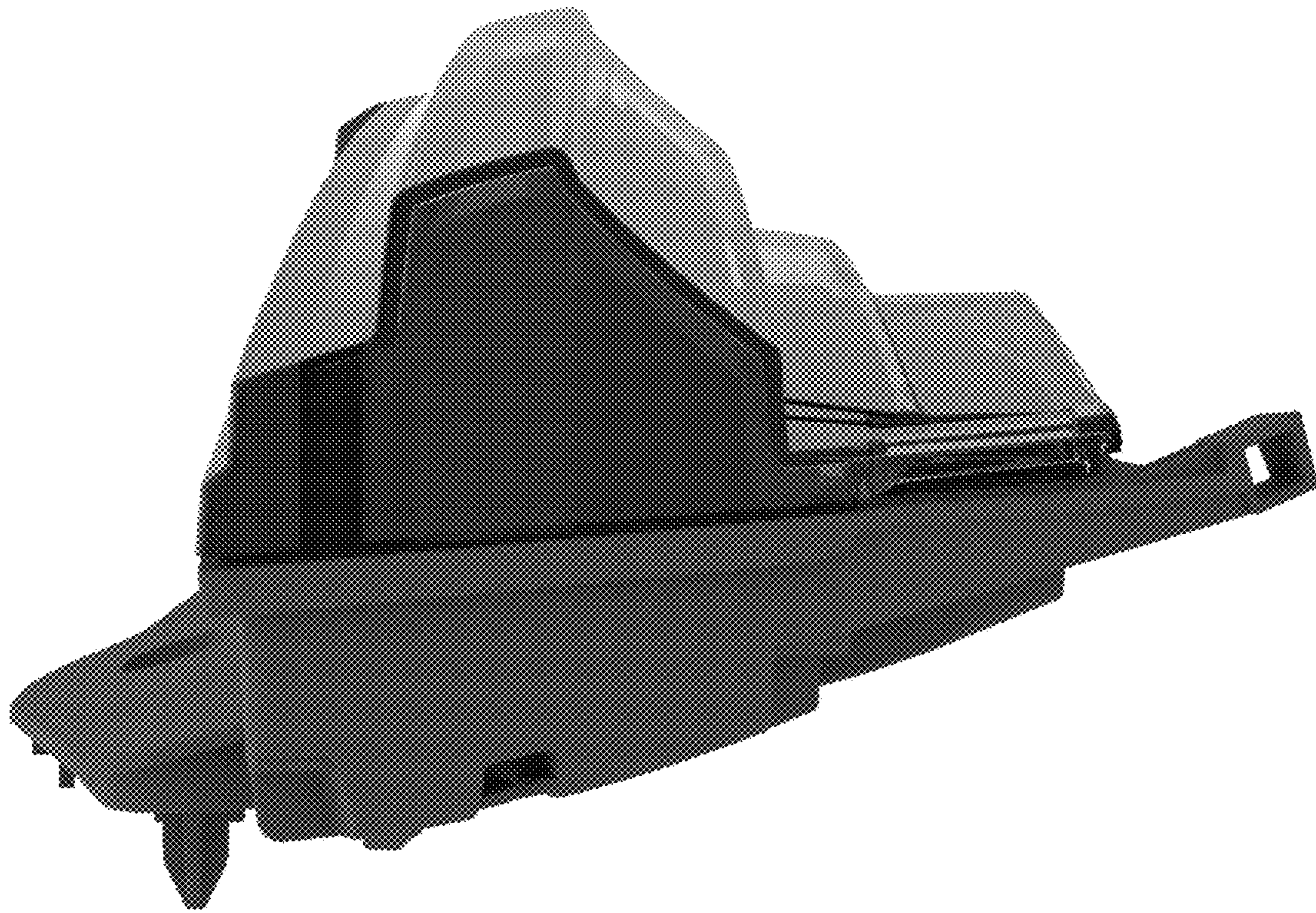


Fig. 4



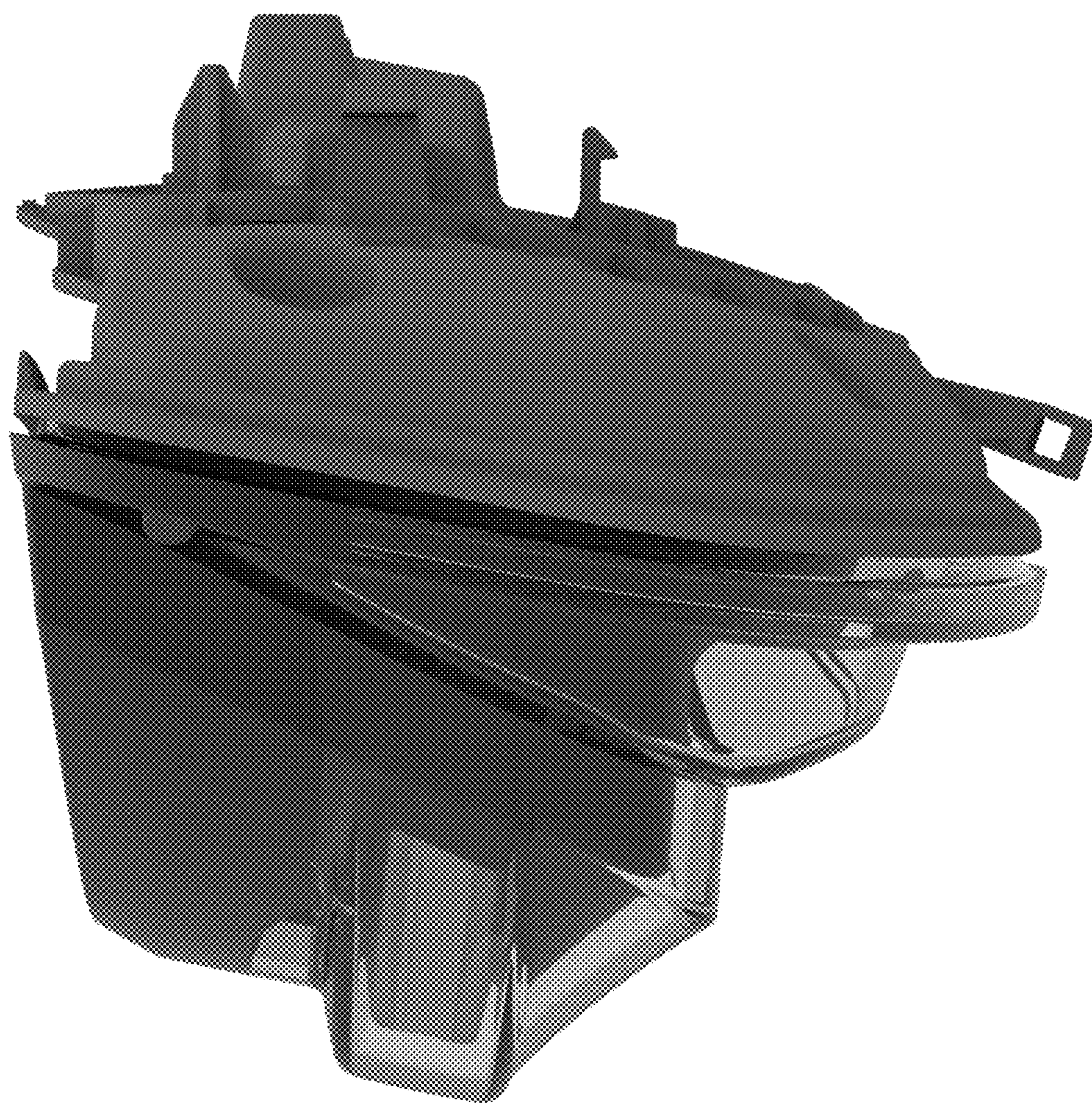


Fig. 5





Fig. 6



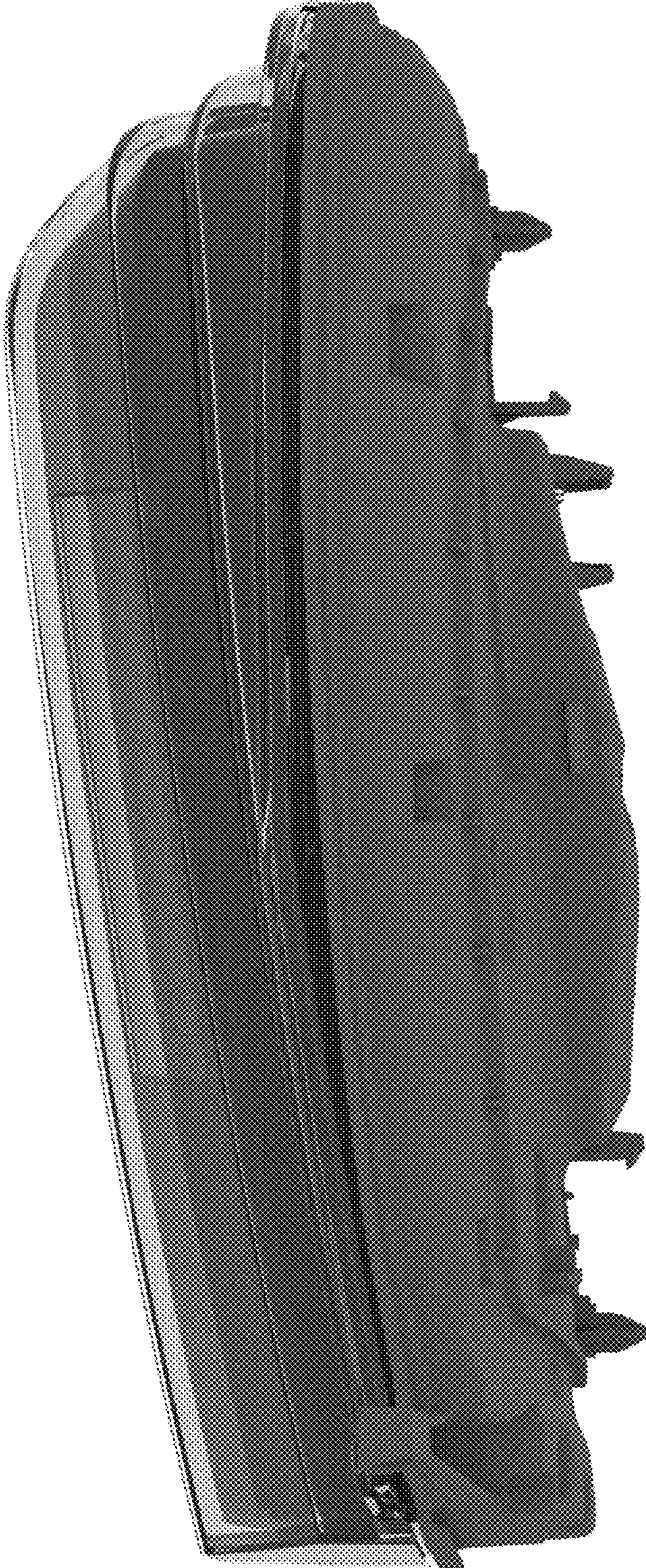


Fig. 7



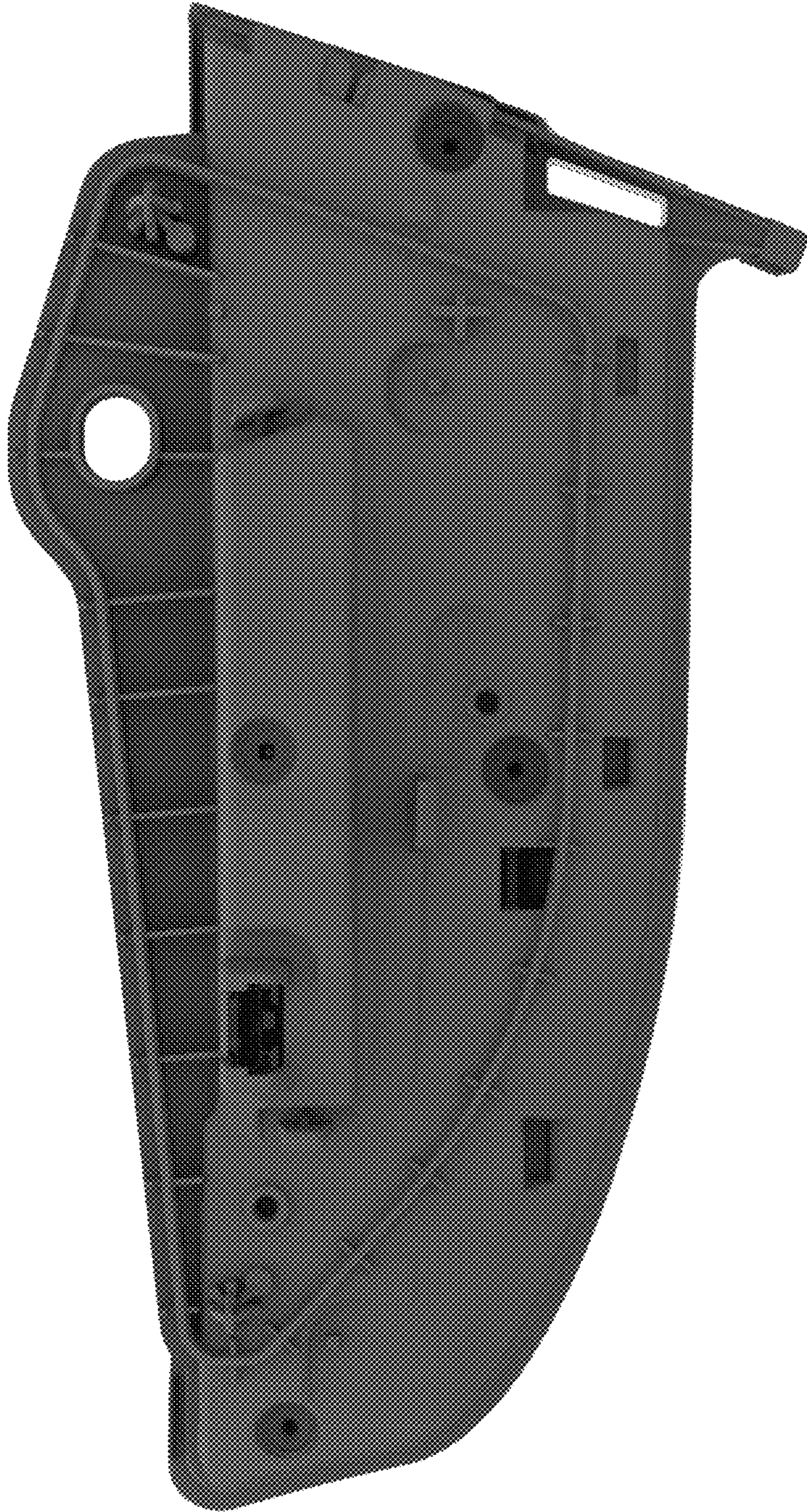


Fig. 8