



US00D884937S

(12) **United States Design Patent** (10) **Patent No.:** **US D884,937 S**
Zhai (45) **Date of Patent:** **** May 19, 2020**

(54) **TAILLIGHT FOR A VEHICLE**
(71) Applicant: **Bayerische Motoren Werke Aktiengesellschaft, Munich (DE)**
(72) Inventor: **Chunyue Zhai, Munich (DE)**

D851,294 S * 6/2019 Whang D26/28
D855,225 S * 7/2019 Miyazawa D26/28
D857,956 S * 8/2019 Han D26/28
D864,435 S * 10/2019 Binder D26/28
D864,440 S * 10/2019 Bae D26/28
D866,025 S * 11/2019 Hannemann D26/28
D866,821 S * 11/2019 Hannemann D26/28

(73) Assignee: **Bayerische Motoren Werke Aktiengesellschaft, Munich (DE)**

FOREIGN PATENT DOCUMENTS

(**) Term: **15 Years**

WO WO DM/101134 5/2018

(21) Appl. No.: **29/676,467**

* cited by examiner

(22) Filed: **Jan. 11, 2019**

Primary Examiner — Angela J Lee

(30) **Foreign Application Priority Data**

(74) *Attorney, Agent, or Firm* — Crowell & Moring LLP

Jul. 20, 2018 (DE) 40 2018 100 721

(51) **LOC (12) Cl.** **26-06**

(52) **U.S. Cl.**
USPC **D26/28**

(58) **Field of Classification Search**
USPC D26/28, 29, 30, 31, 32, 33, 34, 35, 36;
362/459-468, 475-478, 485-487
CPC F21S 48/00; F21S 48/10; F21S 48/115;
F21S 48/225; F21S 48/1233; F21S
48/1266; F21S 48/1388; F21S 48/2268;
F21V 21/04
See application file for complete search history.

(57) **CLAIM**

The ornamental design for a taillight for a vehicle, as shown and described.

DESCRIPTION

This application contains subject matter related to the following co-pending U.S. design patent applications: Application Ser. No. 29/646,418, filed May 4, 2018 and entitled "Taillight for a Vehicle"; Application Ser. No. 29/676,459, filed herewith and entitled "Vehicle, Toy, and/or Replicas Thereof"; and Application Ser. No. 29/676,460, filed herewith and entitled "Vehicle, Toy, and/or Replicas Thereof". FIG. 1 is a front view of a taillight for a vehicle according to the design; FIG. 2 is a left, front perspective view thereof; FIG. 3 is a right, front perspective view thereof; FIG. 4 is a left side view thereof; FIG. 5 is a right side view thereof; FIG. 6 is a top view thereof; FIG. 7 is a bottom view thereof; and, FIG. 8 is a rear view thereof.

(56) **References Cited**

U.S. PATENT DOCUMENTS

D646,814 S * 10/2011 Goplen D26/28
D720,484 S * 12/2014 Nordmann D26/28
D739,582 S * 9/2015 Forsgren D26/28
D743,063 S * 11/2015 Park D26/28
D767,803 S 9/2016 Faghihzadeh
D808,047 S * 1/2018 Hannemann D26/28
D844,191 S * 3/2019 Nordmann D26/28

1 Claim, 8 Drawing Sheets

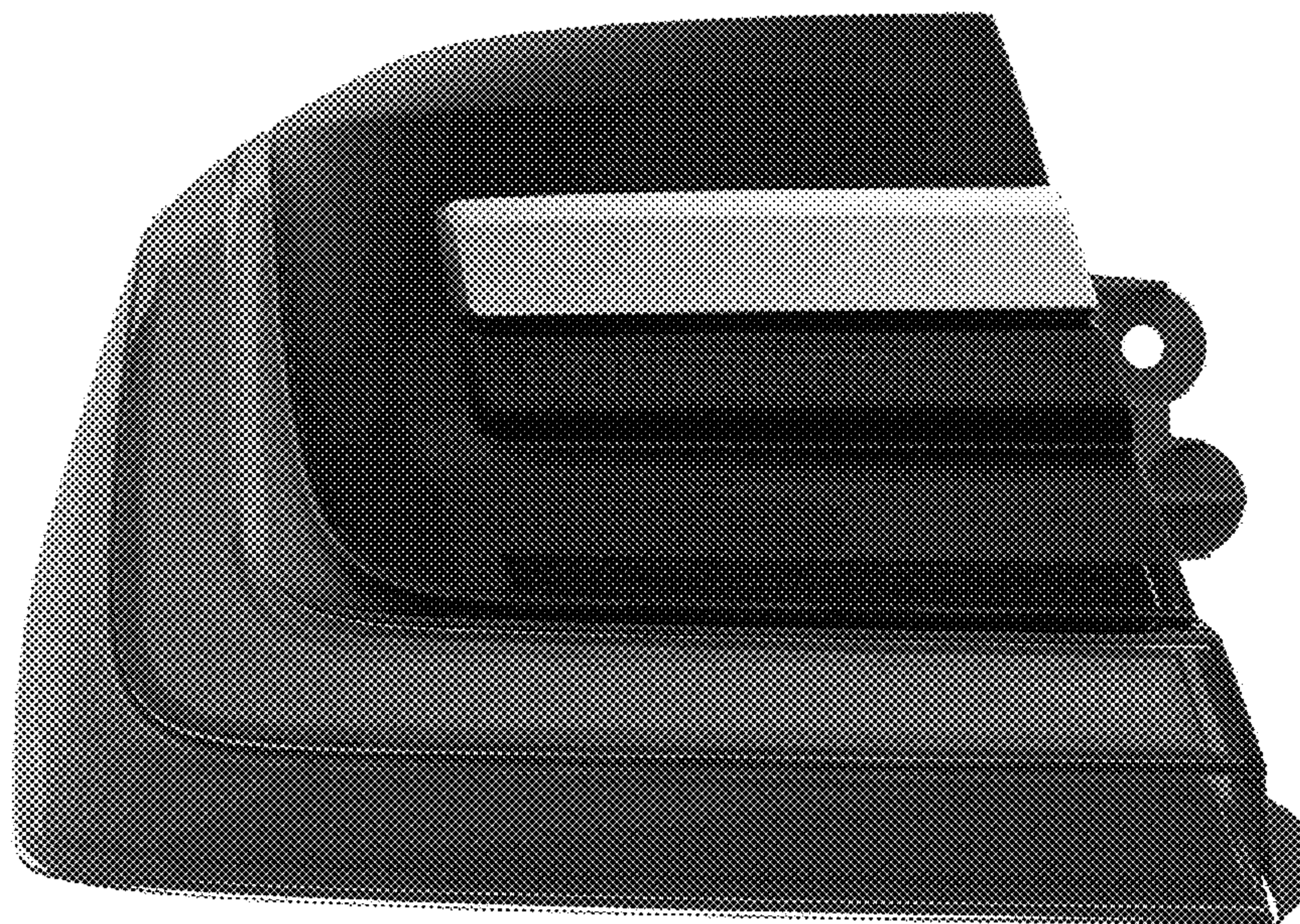




Fig. 1



Fig. 2



Fig. 3



Fig. 4

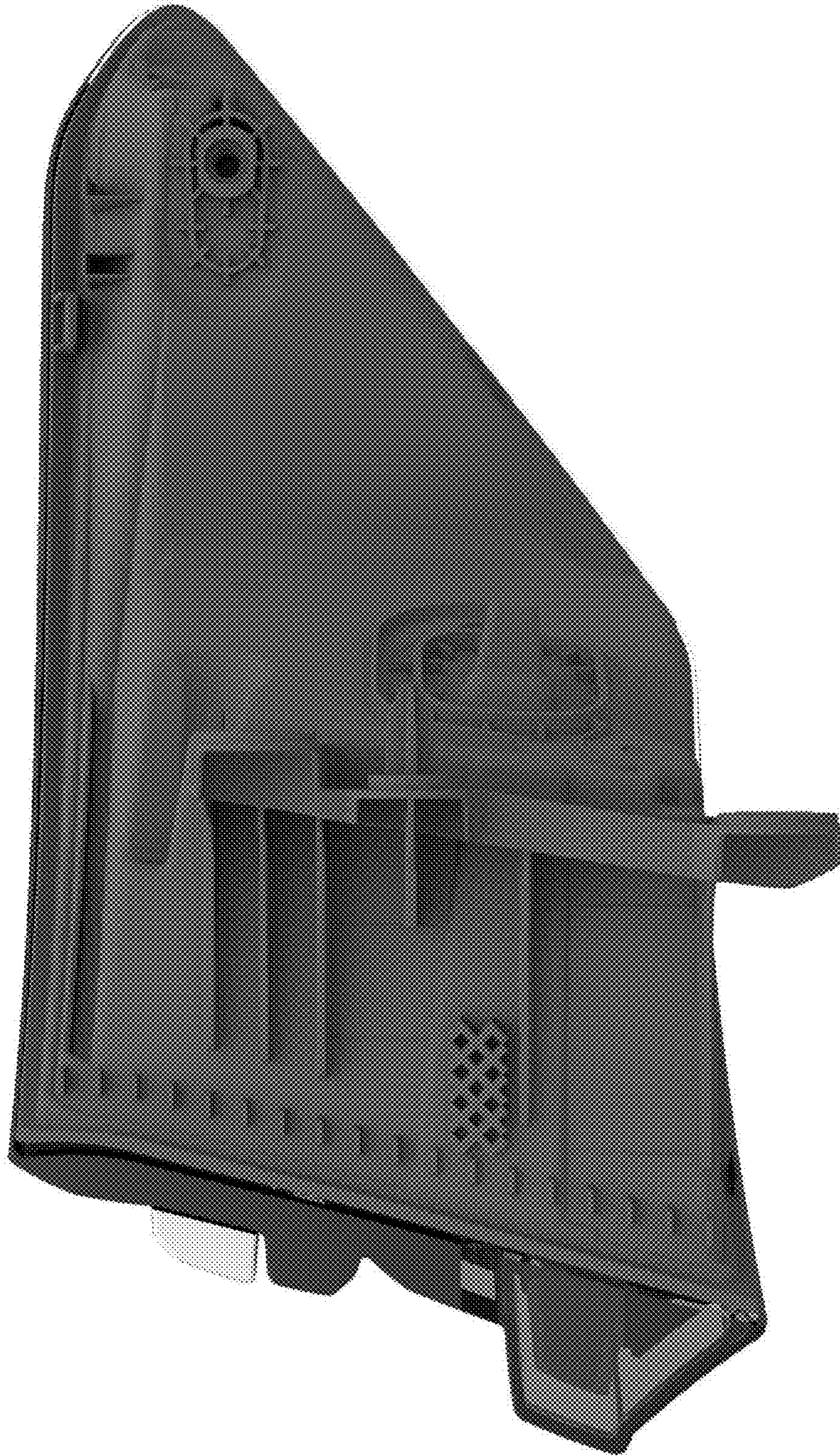


Fig. 5

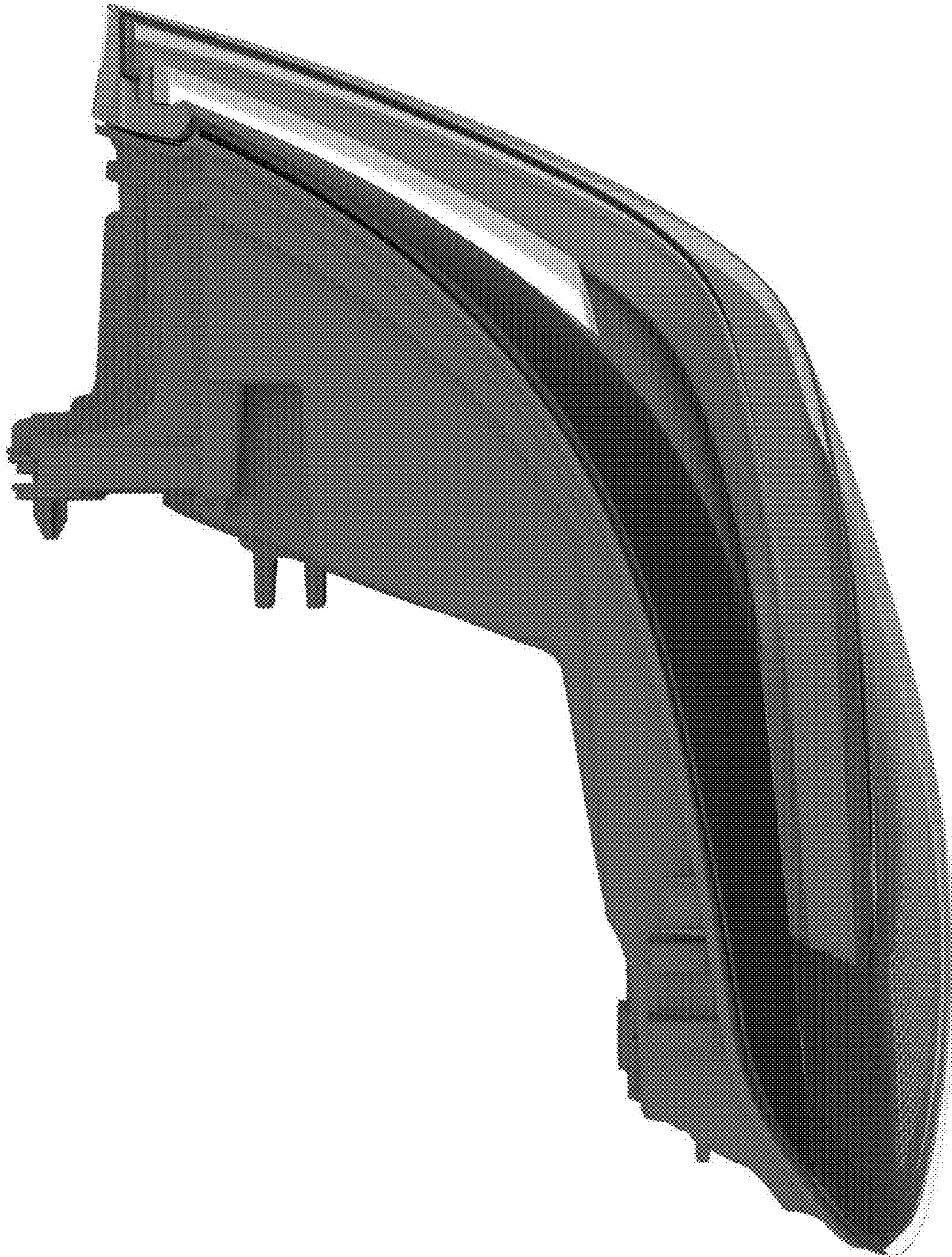


Fig. 6

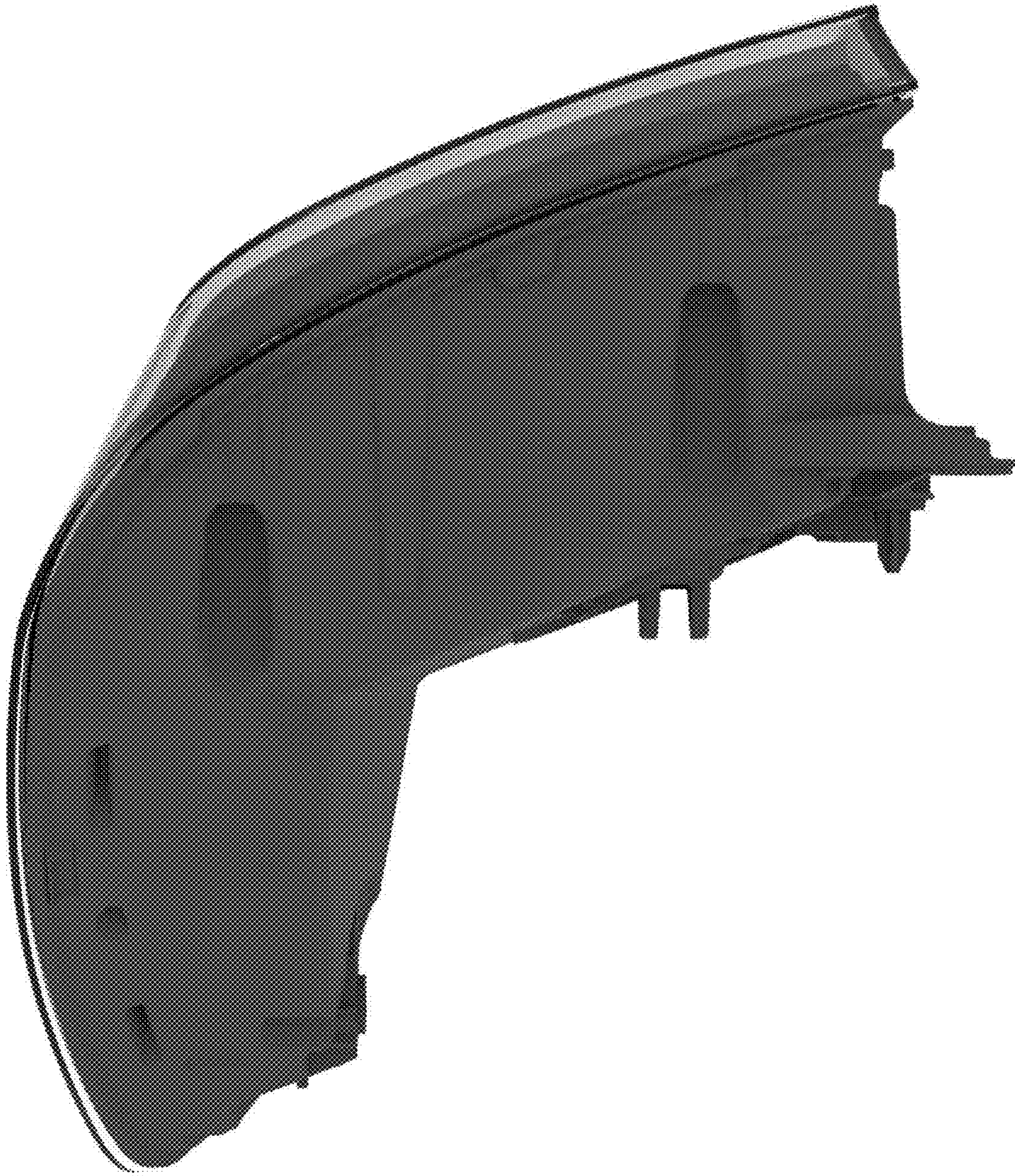


Fig. 7

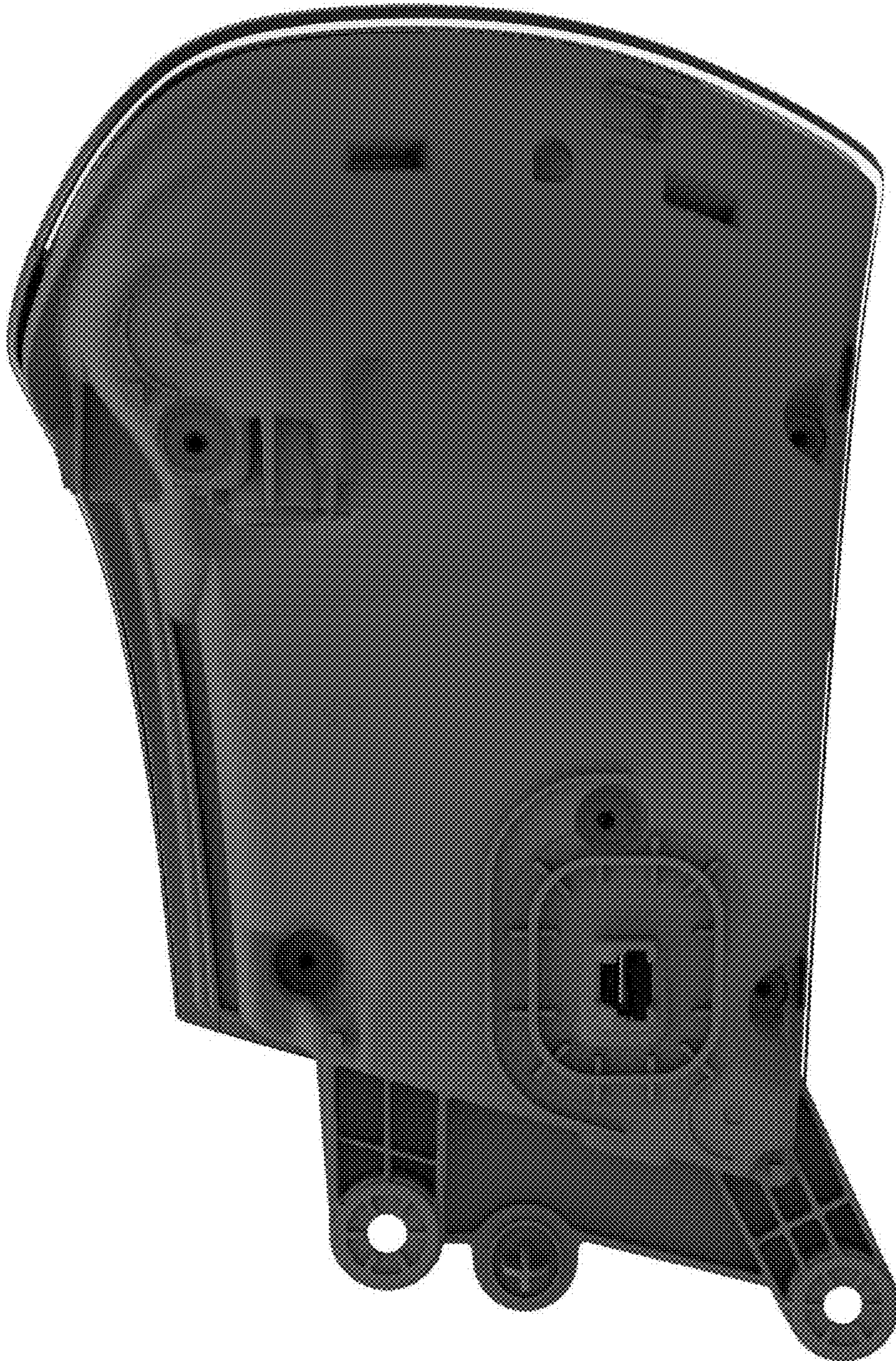


Fig. 8