



US00D884936S

(12) **United States Design Patent**
Chen

(10) **Patent No.:** **US D884,936 S**

(45) **Date of Patent:** **** May 19, 2020**

(54) **OPTICAL ELEMENT FOR VEHICLE LIGHTHEAD**

D828,593 S * 9/2018 Pan D26/28
D850,672 S * 6/2019 McGinley D26/28
D857,263 S * 8/2019 Goodrich D26/28
D857,264 S * 8/2019 Goodrich D26/28

(71) Applicant: **Juluen Enterprise Co., Ltd.**, New Taipei (TW)

* cited by examiner

(72) Inventor: **Tseng-Che Chen**, New Taipei (TW)

Primary Examiner — Marcus A Jackson

(73) Assignee: **Juluen Enterprise Co., Ltd.**, New Taipei (TW)

(74) *Attorney, Agent, or Firm* — Winston Hsu

(**) Term: **15 Years**

(57) **CLAIM**

The ornamental design for an optical element for vehicle lighthouse, as shown and described.

(21) Appl. No.: **29/671,120**

DESCRIPTION

(22) Filed: **Nov. 22, 2018**

FIG. 1 is a front, top and right side perspective view of an optical element for vehicle lighthouse showing the new design;

(51) **LOC (12) Cl.** **26-06**

FIG. 2 is a front view thereof;

(52) **U.S. Cl.**

FIG. 3 is a left side view of the optical element for vehicle lighthouse, wherein the right side view is a mirror thereof;

USPC **D26/28**

FIG. 4 is a top view of the optical element for vehicle lighthouse, wherein the bottom view is a mirror thereof;

(58) **Field of Classification Search**

USPC D26/28-36, 139

FIG. 5 is a sectional view of FIG. 2 in A-A line;

CPC F21S 48/00; F21S 48/10; F21S 48/115;

F21S 48/225; F21S 48/1233; F21S

48/1266; F21S 48/1388; F21S 48/2268;

F21V 21/04; F21V 29/004; B60Q 9/13;

B60Q 9/135; B60Q 9/1375

FIG. 6 is a front, top, and right side perspective view of the optical element for vehicle lighthouse shown in an example environment; and,

See application file for complete search history.

FIG. 7 is a front, top, and right side perspective view thereof shown in another example environment.

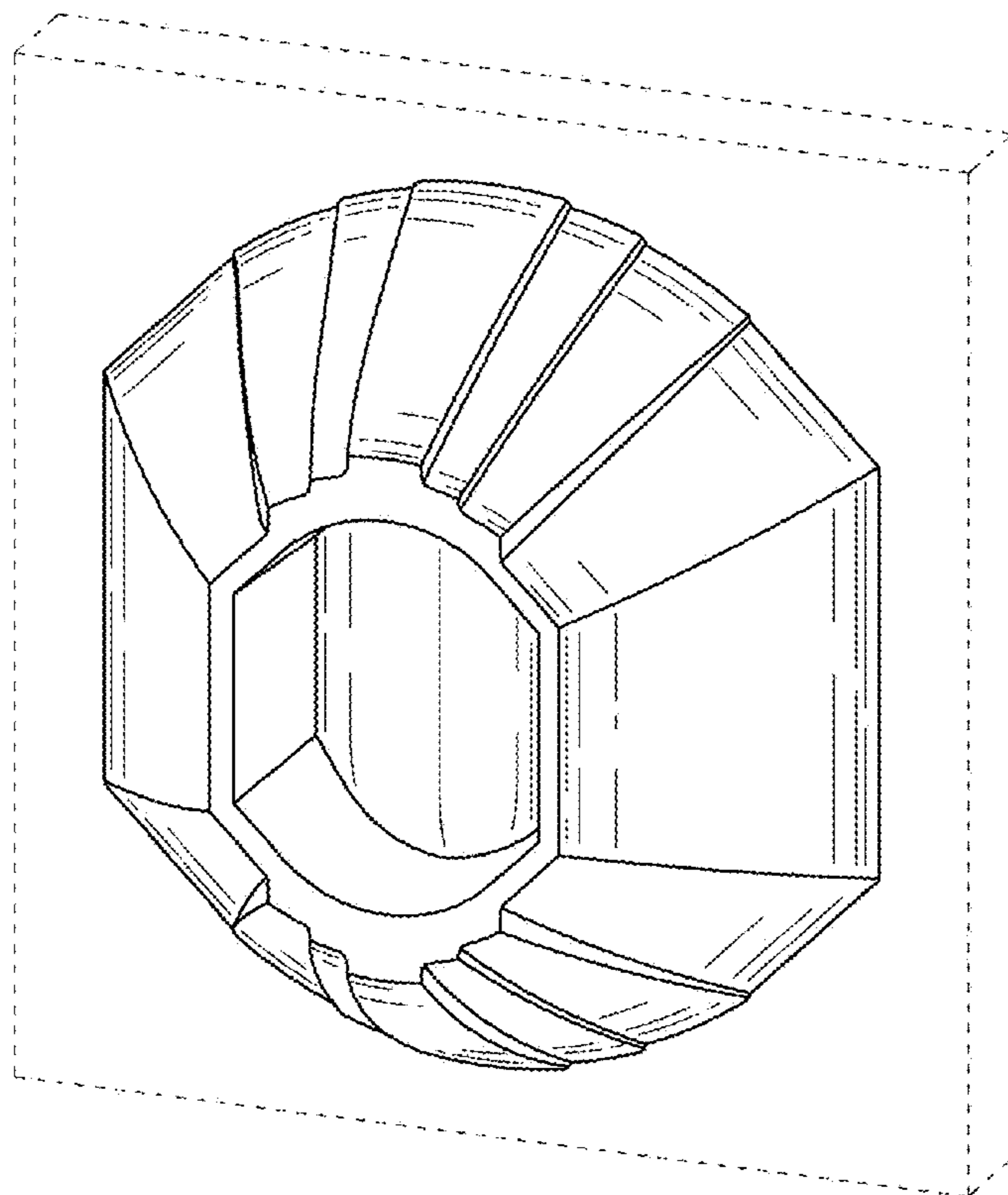
(56) **References Cited**

The broken lines depict the example environment and portions of the optical element for vehicle lighthouse in which the design is embodied that from no part of the claimed design.

U.S. PATENT DOCUMENTS

D574,978 S * 8/2008 Hyodo D26/28
D827,887 S * 9/2018 Pan D26/28

1 Claim, 7 Drawing Sheets



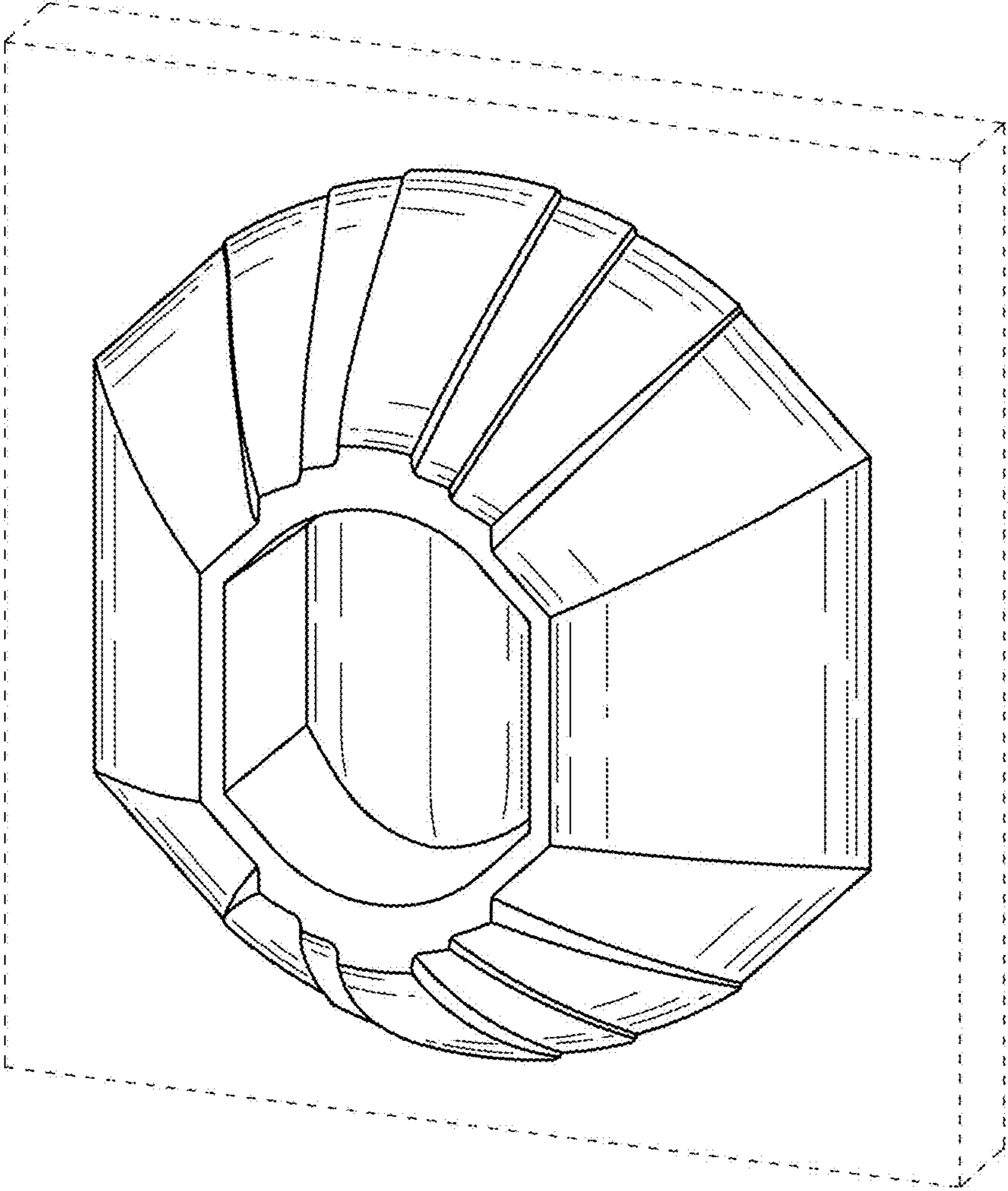


FIG. 1

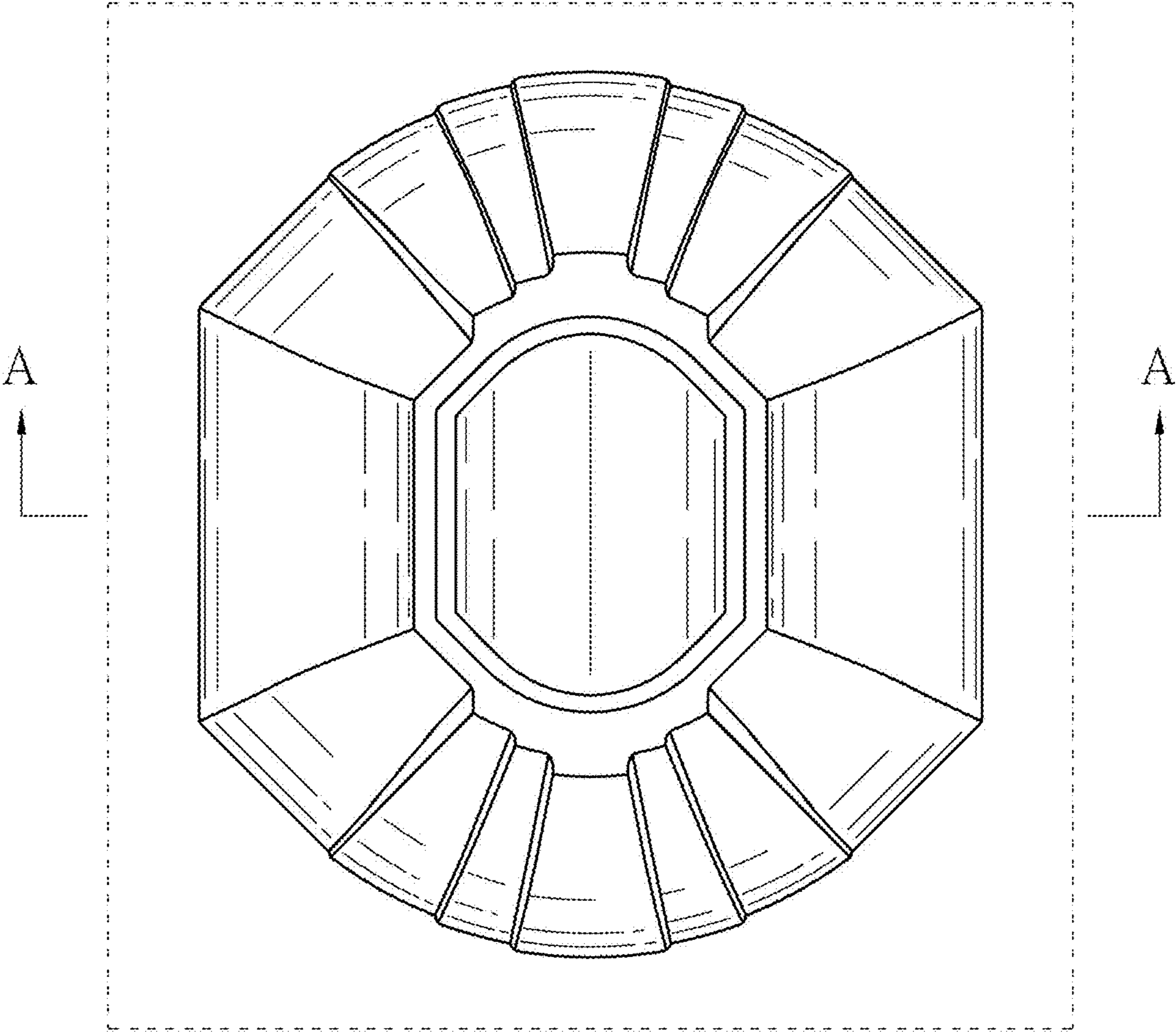


FIG. 2

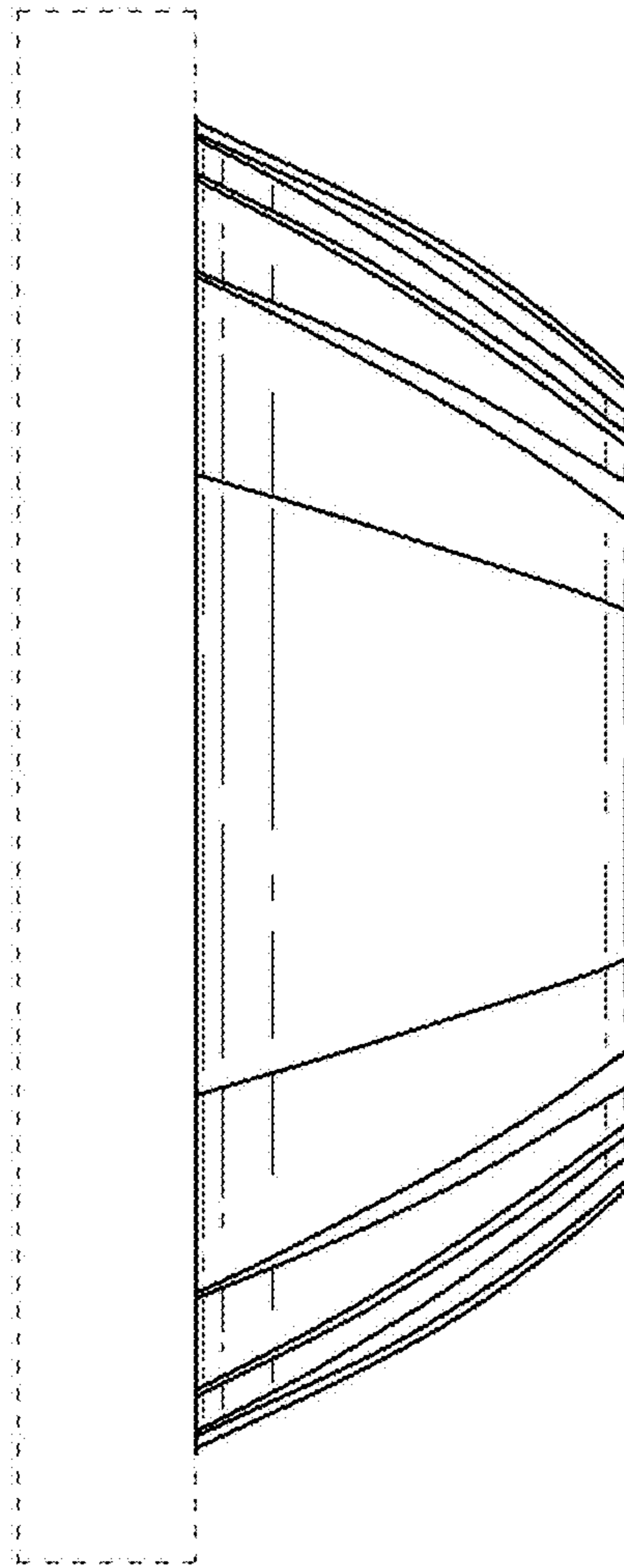


FIG. 3

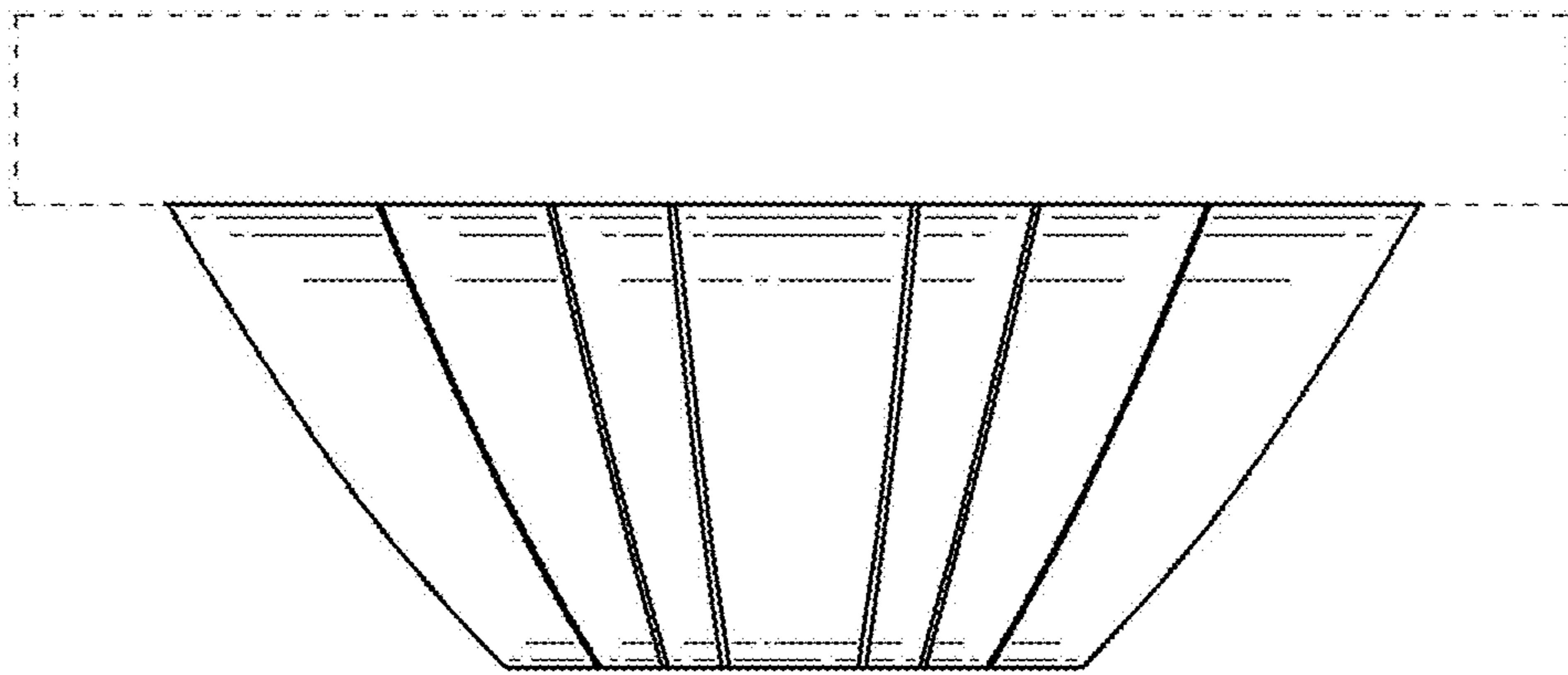


FIG. 4

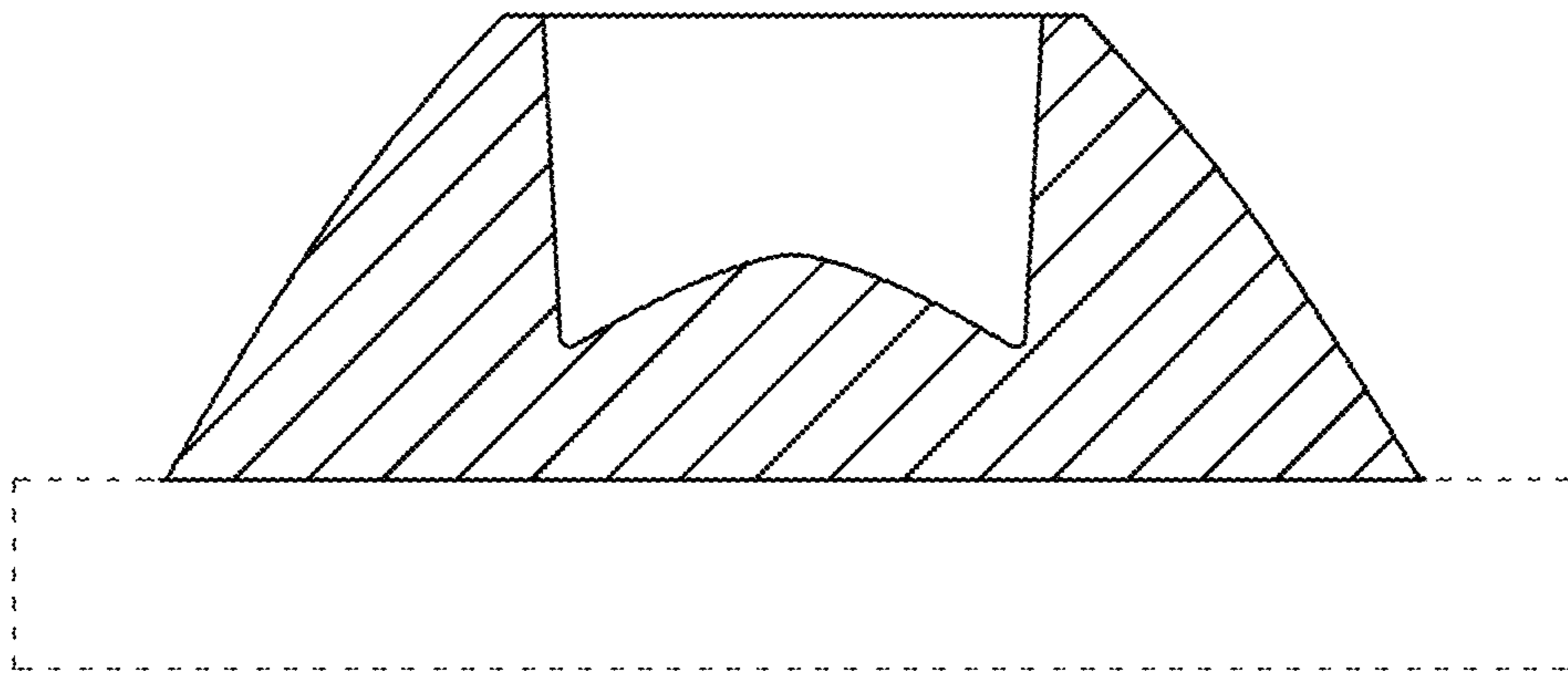


FIG. 5

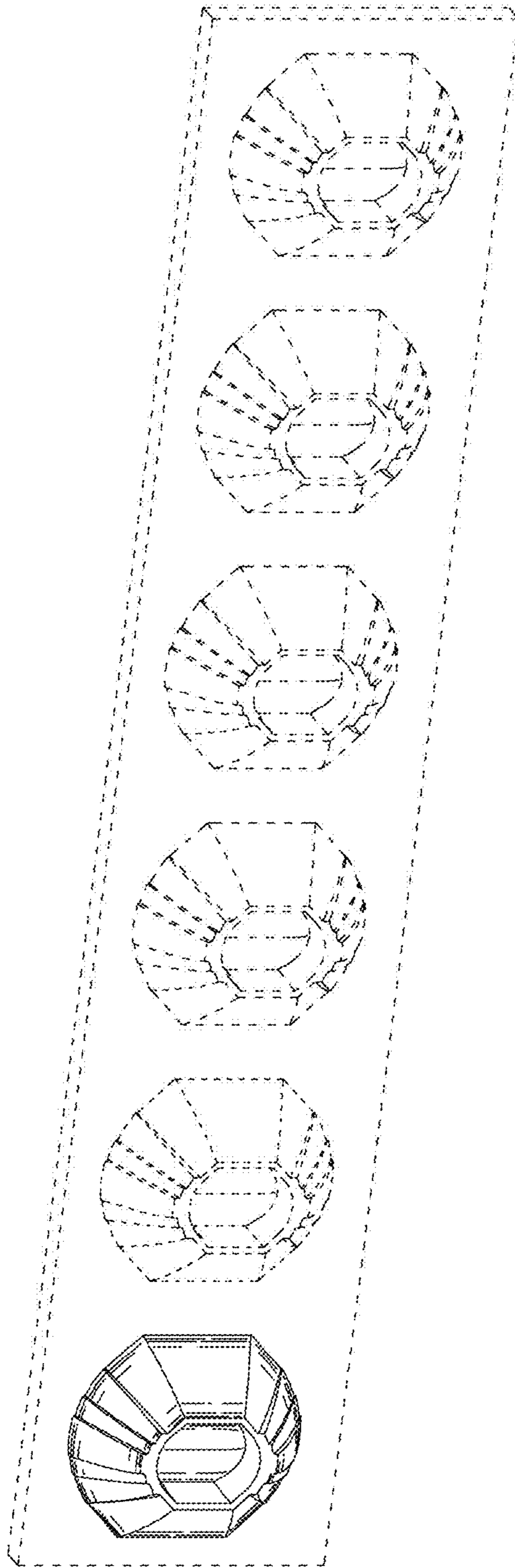


FIG. 6

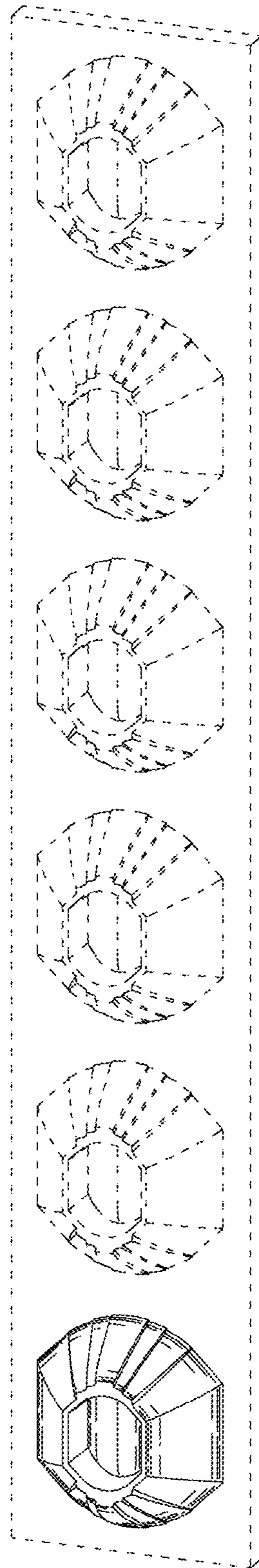


FIG. 7