



US00D884931S

(12) **United States Design Patent**
Yang et al.

(10) **Patent No.:** **US D884,931 S**

(45) **Date of Patent:** **** May 19, 2020**

(54) **LED STRIP LIGHT**

(71) Applicant: **Hymax, Inc.**, San Jose, CA (US)

(72) Inventors: **Lianghua Yang**, Campbell, CA (US);
Qianghua Song, Nanjing (CN)

(**) Term: **15 Years**

(21) Appl. No.: **29/649,526**

(22) Filed: **May 31, 2018**

(51) **LOC (12) Cl.** **26-03**

(52) **U.S. Cl.**
USPC **D26/24**

(58) **Field of Classification Search**
USPC D26/1, 24, 25, 27, 34, 43, 69, 86, 110,
D26/148; D13/133; 362/249.02, 249.04
CPC F21V 21/00; F21V 21/16; F21V 21/005;
F21V 21/008; F21V 19/001; F21V 23/06;
F21S 4/00; F21S 4/20; F21S 4/22; F21S
4/28; F21S 41/00; F21S 41/141; F21S
41/151; F21Y 2115/00; F21Y 2115/10;
H01R 4/00; H05B 45/48

See application file for complete search history.

(56) **References Cited**

U.S. PATENT DOCUMENTS

D552,566 S *	10/2007	Moriyama	D13/180
D571,938 S *	6/2008	Uemoto	D26/1
D594,576 S *	6/2009	Chan	D26/1
8,641,229 B2 *	2/2014	Li	F21V 17/007 362/219
D722,717 S *	2/2015	Wang	D26/51
D742,564 S *	11/2015	Walterscheid	D26/24
D779,433 S *	2/2017	Fries	D13/133
D786,458 S *	5/2017	Wang	D26/1
D803,428 S *	11/2017	Kirschner	D26/24
D814,666 S *	4/2018	Wang	D26/1

D849,278 S *	5/2019	John	D26/1
2003/0063463 A1 *	4/2003	Sloan	F21V 21/0808 362/238
2009/0206762 A1 *	8/2009	Gibboney	H05B 45/00 315/185 R
2010/0124054 A1 *	5/2010	Chen	F21V 19/003 362/221
2012/0002417 A1 *	1/2012	Li	F21V 17/007 362/249.02
2012/0069569 A1 *	3/2012	Que	F21V 15/013 362/249.02
2016/0374180 A1 *	12/2016	Feng	H05B 47/19
2018/0320839 A1 *	11/2018	Briscoe	F21V 31/005
2019/0024858 A1 *	1/2019	Kim	F21S 4/28
2020/0022241 A1 *	1/2020	Tang	F21V 15/015

* cited by examiner

Primary Examiner — Wan Laymon

Assistant Examiner — Clint A Samuel

(74) *Attorney, Agent, or Firm* — Jigang Jin

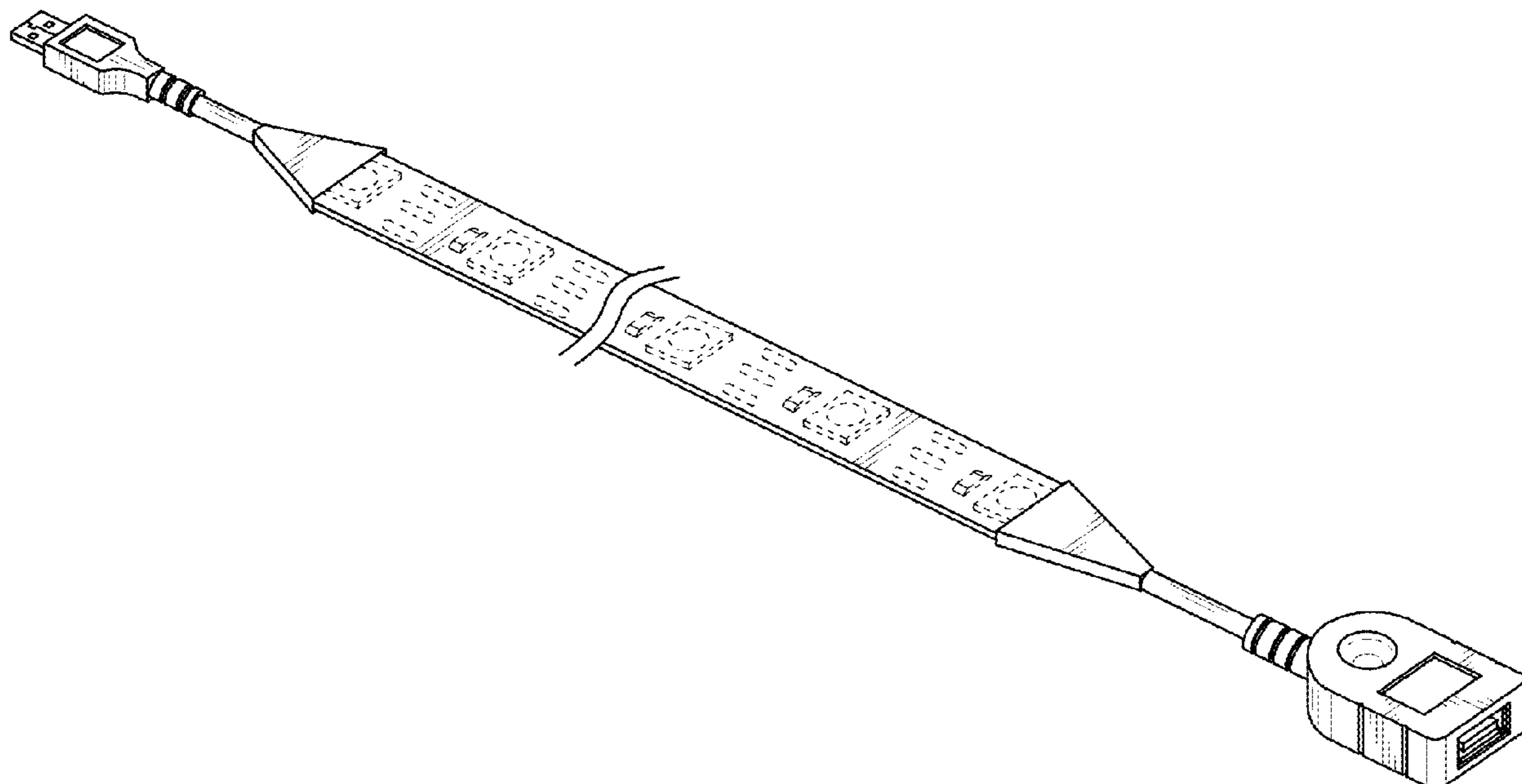
(57) **CLAIM**

We claim the ornamental design for a LED strip light, as shown and described.

DESCRIPTION

FIG. 1 is a perspective view of the LED strip light.
FIG. 2 is a front view of the LED strip light.
FIG. 3 is a back view of the LED strip light.
FIG. 4 is a side view of the LED strip light.
FIG. 5 is a side view of the LED strip light.
FIG. 6 is an end view of the LED strip light; and,
FIG. 7 is an end view of the LED strip light.
The LED strip light is shown with a symbolic break in its length. The appearance of any portion of the article between the break lines forms no part of the claimed design. The article is not limited to the scale shown herein.

1 Claim, 4 Drawing Sheets



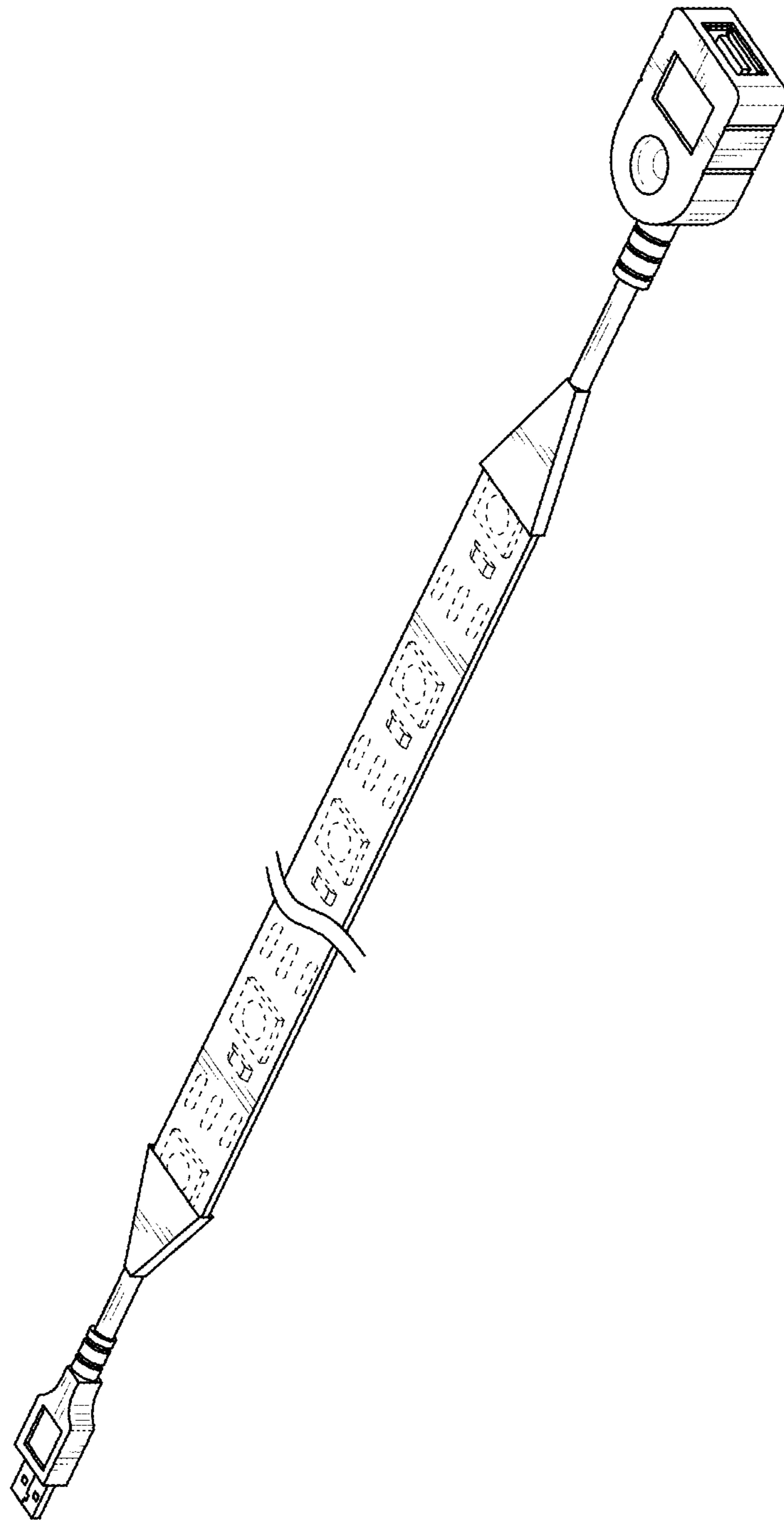


FIG. 1

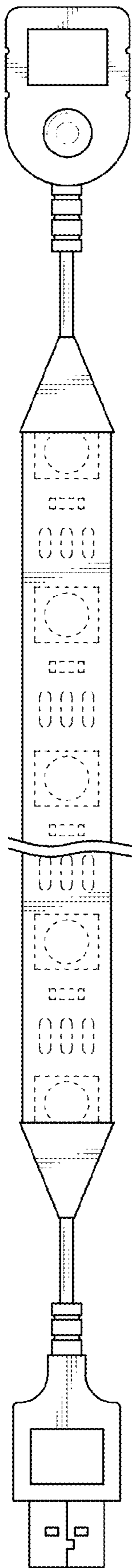


FIG. 2



FIG. 3

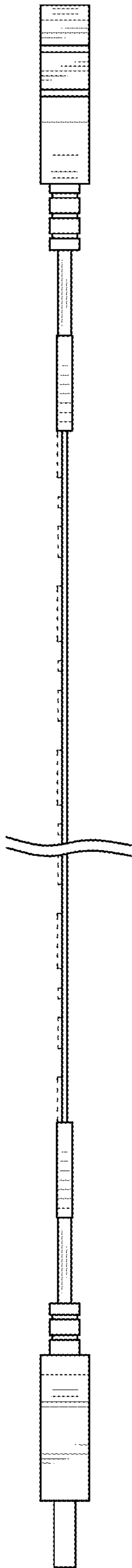


FIG. 4

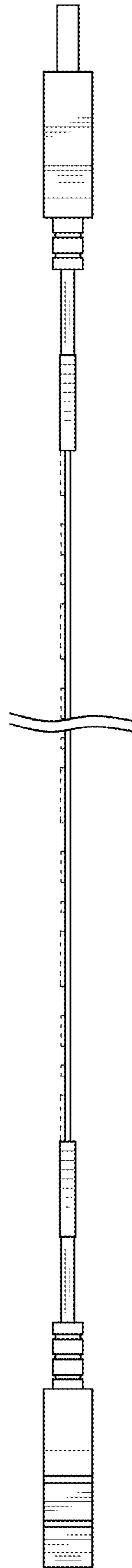


FIG. 5

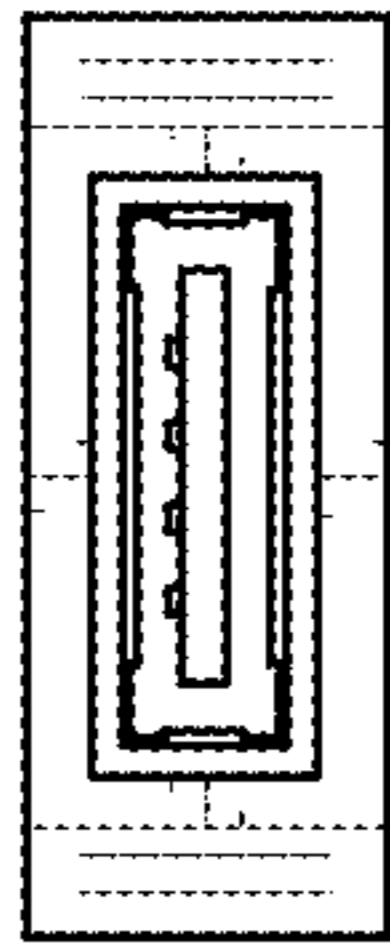


FIG. 6

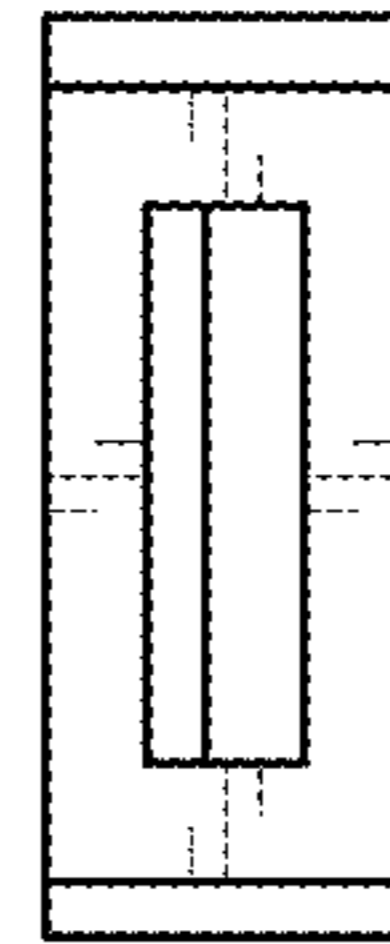


FIG. 7