



US00D884930S

(12) **United States Design Patent**
Tang

(10) **Patent No.:** **US D884,930 S**

(45) **Date of Patent:** **** May 19, 2020**

(54) **LED LAMP FOR PLANT GROWTH**

(71) Applicant: **SHENZHEN MINGXUE OPTOELECTRONICS CO., LTD.**,
Bao'an District, Shenzhen (CN)

(72) Inventor: **Mingxue Tang**, Guiyang (CN)

(**) Term: **15 Years**

(21) Appl. No.: **29/648,321**

(22) Filed: **May 21, 2018**

(51) **LOC (12) Cl.** **26-03**

(52) **U.S. Cl.**
USPC **D26/24**

(58) **Field of Classification Search**
USPC D26/1, 24, 59, 72, 80, 85, 106, 118
CPC F21S 8/03; F21S 8/04; F21S 8/06; F21S
8/031; F21S 8/043; F21S 8/061; F21S
8/063; A01G 7/045; A01G 9/24; A01G
9/249; F21V 29/67; F21V 29/83; F21V
29/677

See application file for complete search history.

(56) **References Cited**

U.S. PATENT DOCUMENTS

D539,945 S *	4/2007	Egawa	D26/24
D637,752 S *	5/2011	Mekhtarian	D26/72
8,066,407 B2 *	11/2011	Remus	F21S 8/06 362/147
D690,839 S *	10/2013	Wang	D26/24
D788,331 S *	5/2017	Beghelli	D26/24

D809,702 S *	2/2018	Drew	D26/118
D822,881 S *	7/2018	Drew	D26/118
D838,032 S *	1/2019	Drew	D26/118
D857,273 S *	8/2019	Zou	D26/80
D860,502 S *	9/2019	Gregory	D26/80
D860,503 S *	9/2019	Gregory	D26/80
D874,691 S *	2/2020	Dreher	D26/1
2010/0157596 A1 *	6/2010	Wen	F21V 31/005 362/235
2015/0036387 A1 *	2/2015	Myers	F21V 23/06 362/646
2016/0278304 A1 *	9/2016	Elsegood	A01G 22/00
2019/0387686 A1 *	12/2019	McCormick	F21V 23/002
2020/0037414 A1 *	1/2020	Deng	H05B 45/20

* cited by examiner

Primary Examiner — Wan Laymon

Assistant Examiner — Clint A Samuel

(74) *Attorney, Agent, or Firm* — ZANIP

(57) **CLAIM**

I claim the ornamental design for a LED lamp for plant growth, as shown and described.

DESCRIPTION

FIG. 1 is a perspective view of a LED lamp for plant growth, showing my new design;

FIG. 2 is a front elevation view thereof;

FIG. 3 is a rear elevation view thereof;

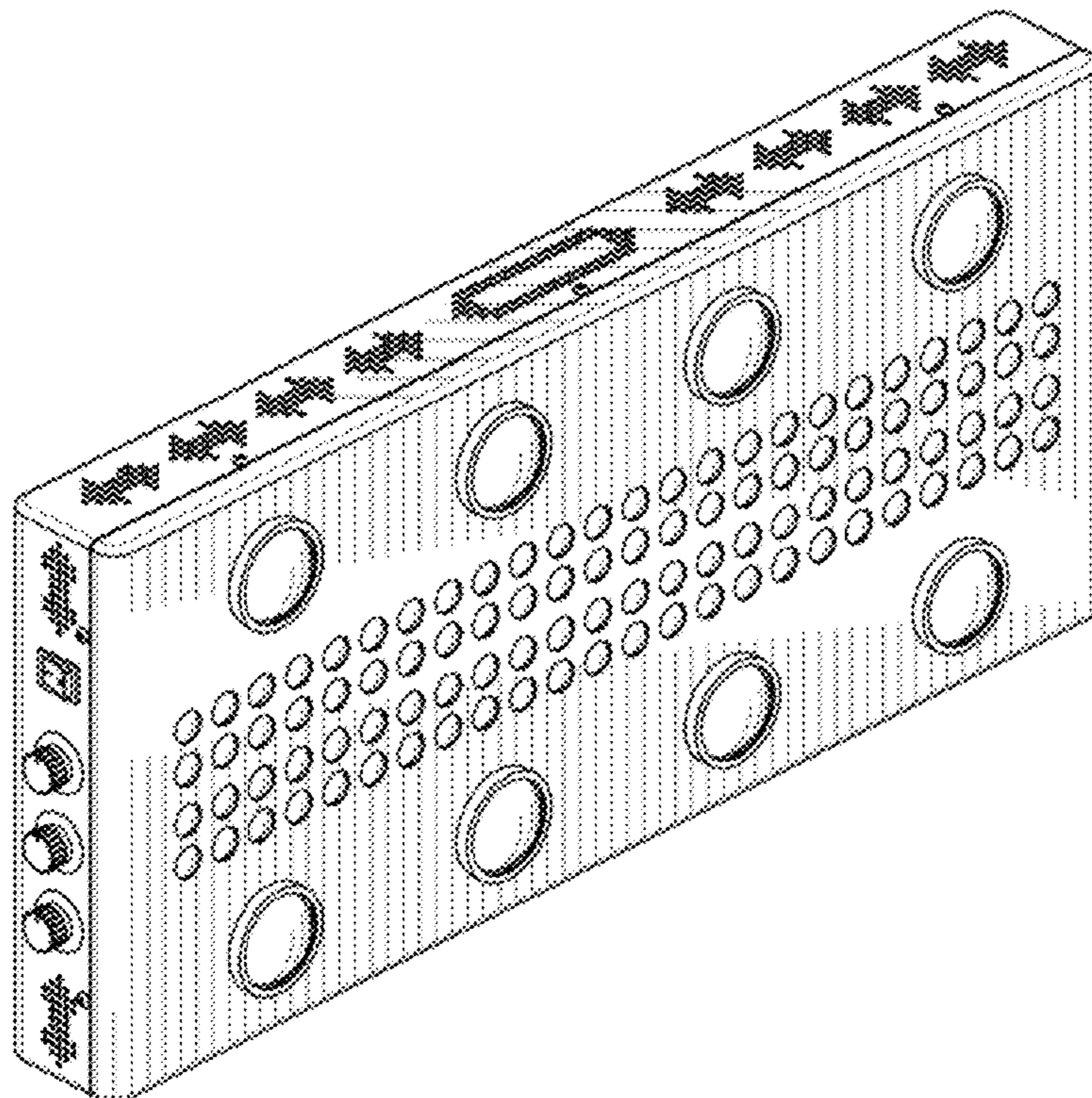
FIG. 4 is a left-side elevation view thereof;

FIG. 5 is a right-side elevation view thereof;

FIG. 6 is a top elevation view thereof; and,

FIG. 7 is a bottom elevation view thereof.

1 Claim, 6 Drawing Sheets



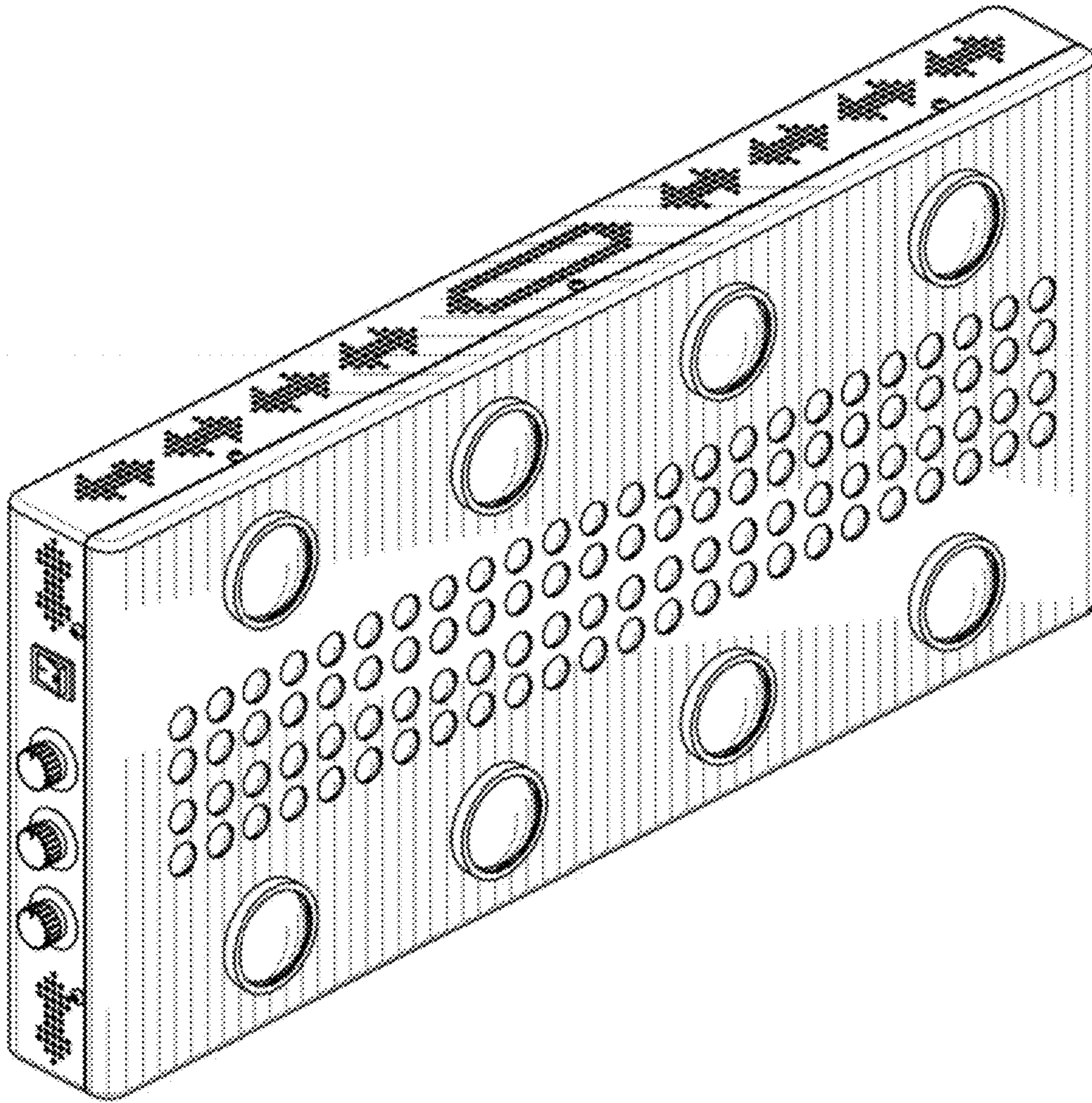


FIG. 1

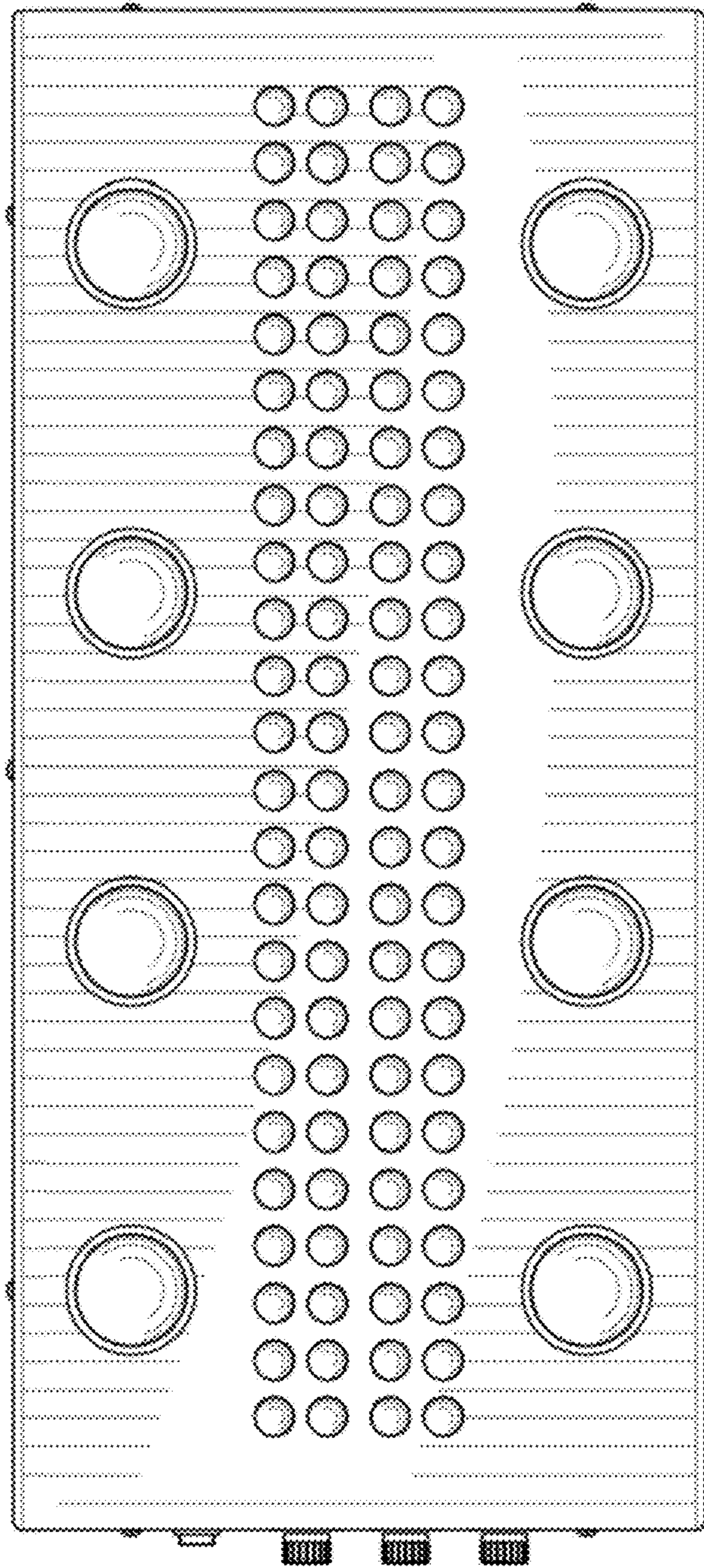


FIG. 2

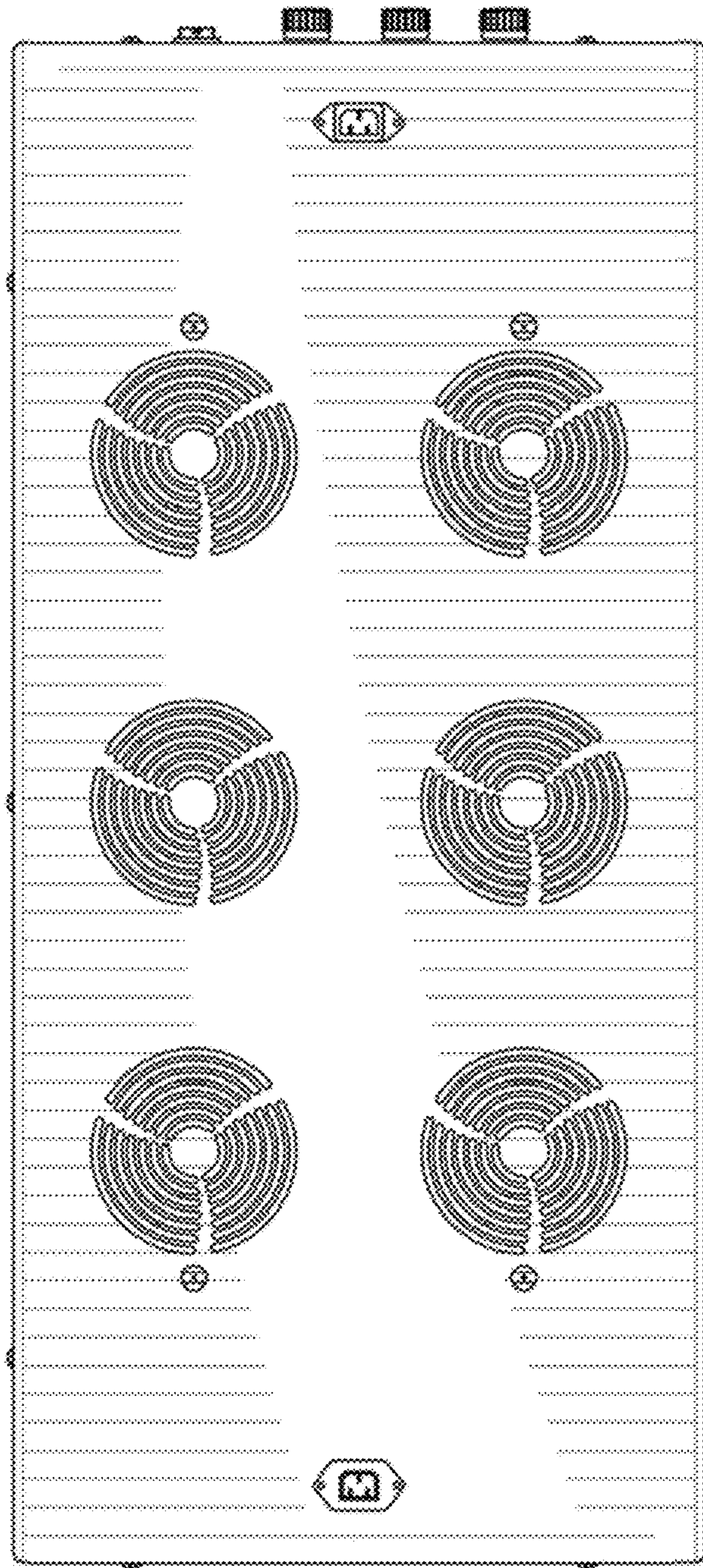


FIG. 3

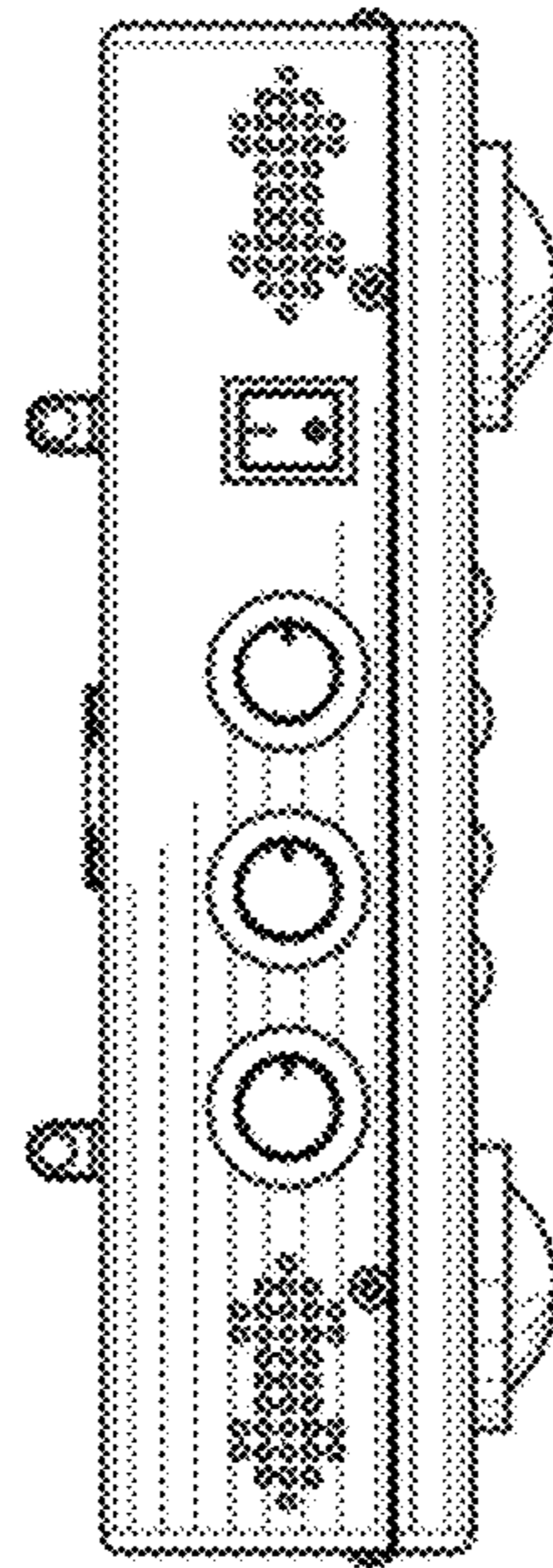


FIG. 4

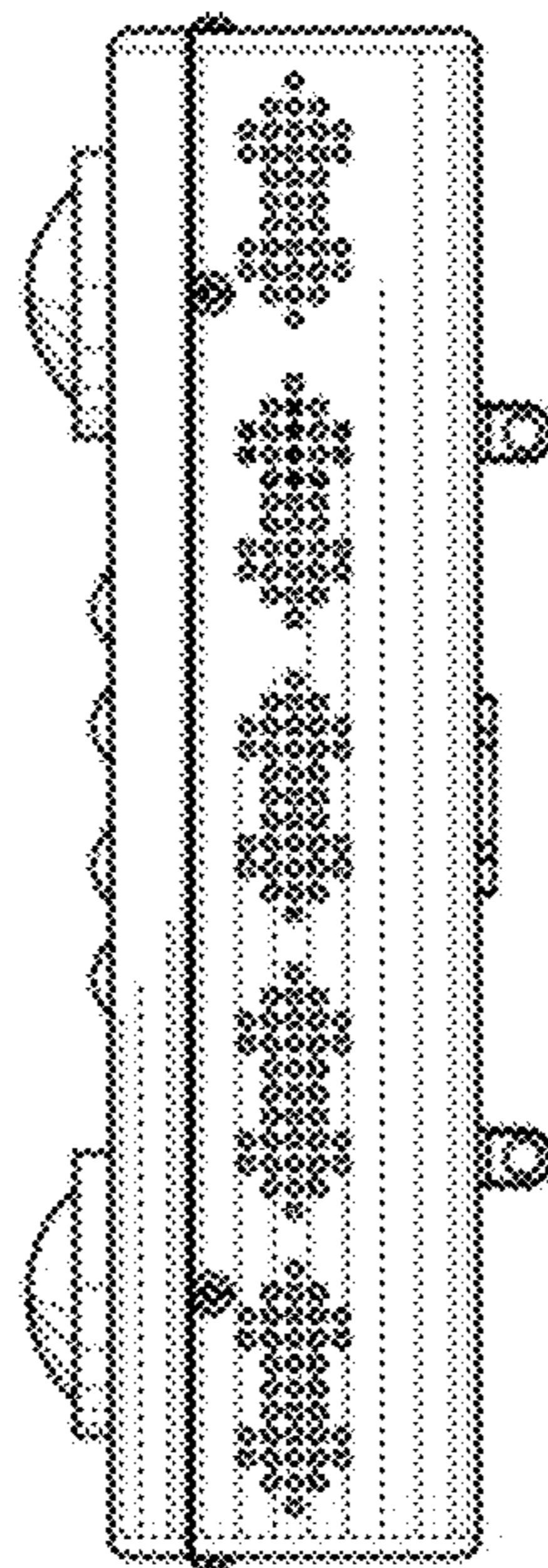


FIG. 5

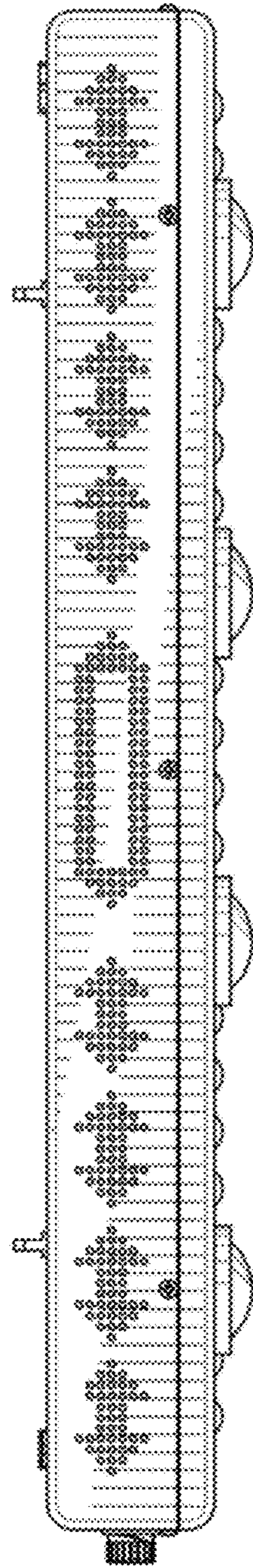


FIG. 6

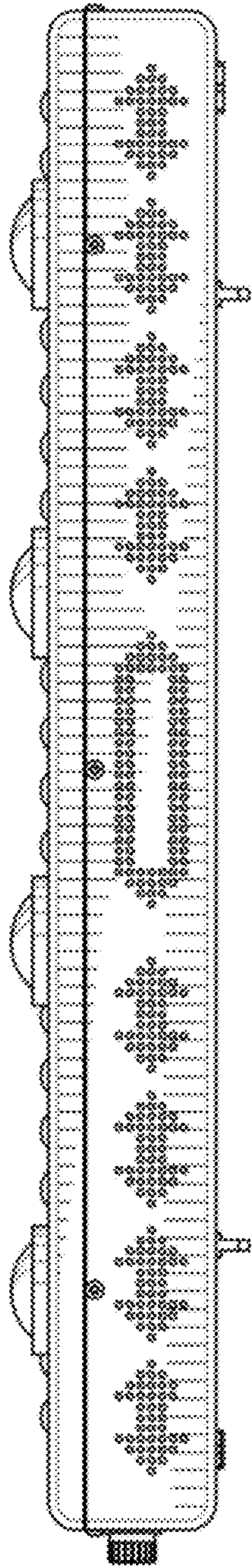


FIG. 7