



US00D884929S

(12) **United States Design Patent** (10) **Patent No.:** **US D884,929 S**  
**Prado** (45) **Date of Patent:** **\*\* May 19, 2020**

(54) **WALL SYSTEM CONNECTOR**  
(71) Applicant: **Cesar Prado**, Miramar, FL (US)  
(72) Inventor: **Cesar Prado**, Miramar, FL (US)  
(\*\*) Term: **15 Years**  
(21) Appl. No.: **29/655,117**  
(22) Filed: **Jun. 29, 2018**  
(51) **LOC (12) Cl.** ..... **25-02**  
(52) **U.S. Cl.**  
USPC ..... **D25/199**; D8/384  
(58) **Field of Classification Search**  
USPC ..... D8/349, 354, 382, 384, 394, 395;  
D25/199  
CPC .. H01R 13/426; H01R 13/74; H01R 2101/00;  
E04B 2/721; E04B 2002/0243; E04B  
2002/7461; E04B 1/40; E04B 2001/405;  
E04F 13/25  
See application file for complete search history.

D867,118 S \* 11/2019 Gooden ..... D8/394  
10,494,820 B1 \* 12/2019 Chen ..... E04F 13/0826  
2016/0233604 A1 \* 8/2016 Borkar ..... H01R 13/426  
2017/0314261 A1 \* 11/2017 Kopish ..... E04B 2/7427  
2019/0352901 A1 \* 11/2019 Yin ..... E04B 1/483

**FOREIGN PATENT DOCUMENTS**

CN 305129583 \* 4/2019  
JP D1639022 \* 8/2019

\* cited by examiner

*Primary Examiner* — Leanne Was-Englehart  
(74) *Attorney, Agent, or Firm* — Dunlap Bennett & Ludwig PLLC

(57) **CLAIM**

The ornamental design for a wall system connector, as shown and described.

**DESCRIPTION**

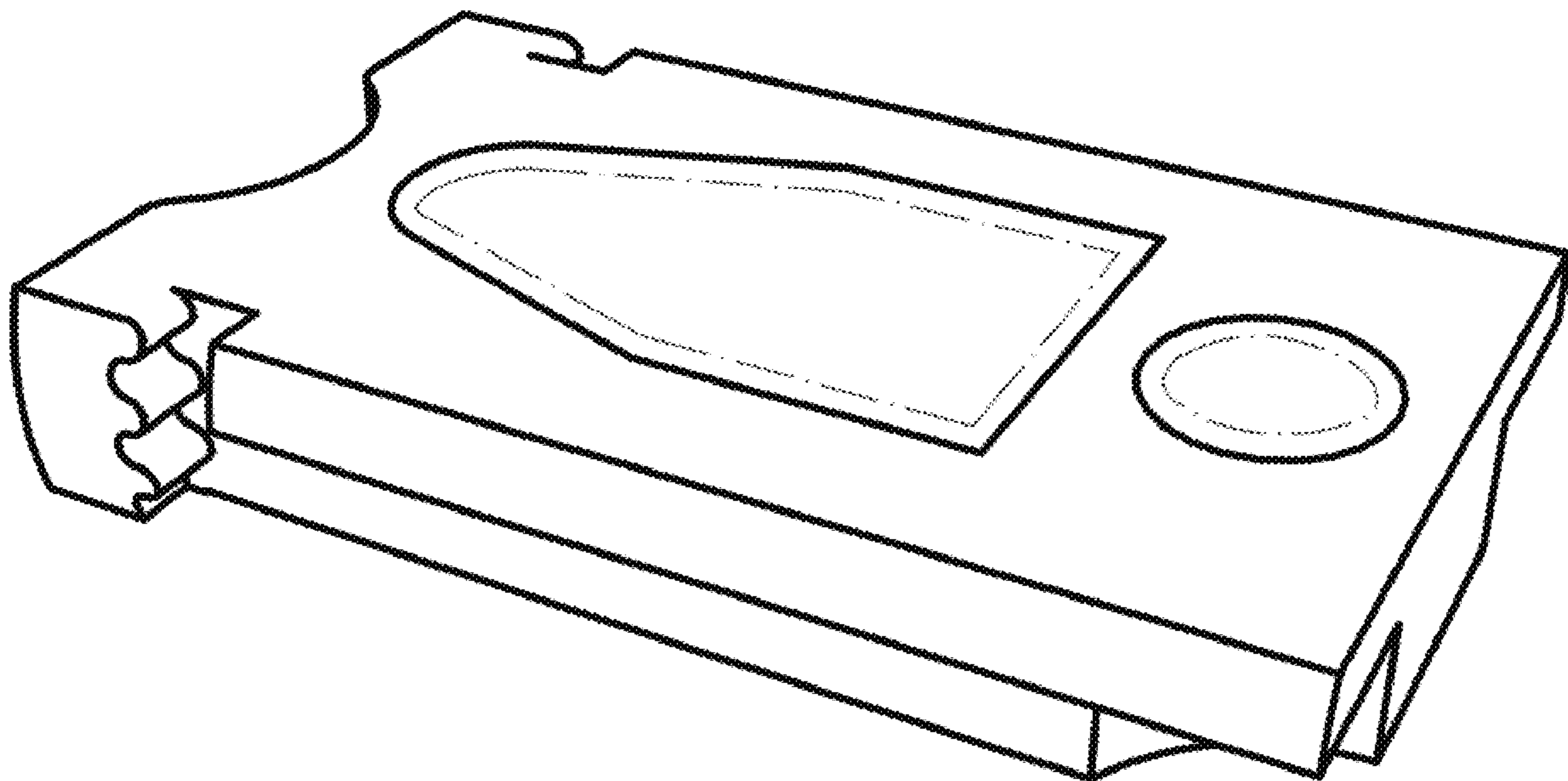
FIG. 1 is a bottom plan view of a wall system connector, showing my new design;  
FIG. 2 is a rear elevation view thereof;  
FIG. 3 is a front elevation view thereof;  
FIG. 4 is a left side elevation view thereof, the right side elevation being a mirror image thereof;  
FIG. 5 is a top plan view thereof;  
FIG. 6 is a top left perspective view thereof; and,  
FIG. 7 is a top right perspective view thereof, shown in use. The equally-sized broken lines showing a wall system element in FIG. 7 depicts environmental subject matter that forms no part of the claimed design. The broken lines consisting of unequally-sized dash-dot-dash lines in the drawings depict the boundary of the claimed invention and it is understood that the claim extends to the boundary that forms no part of the claimed design.

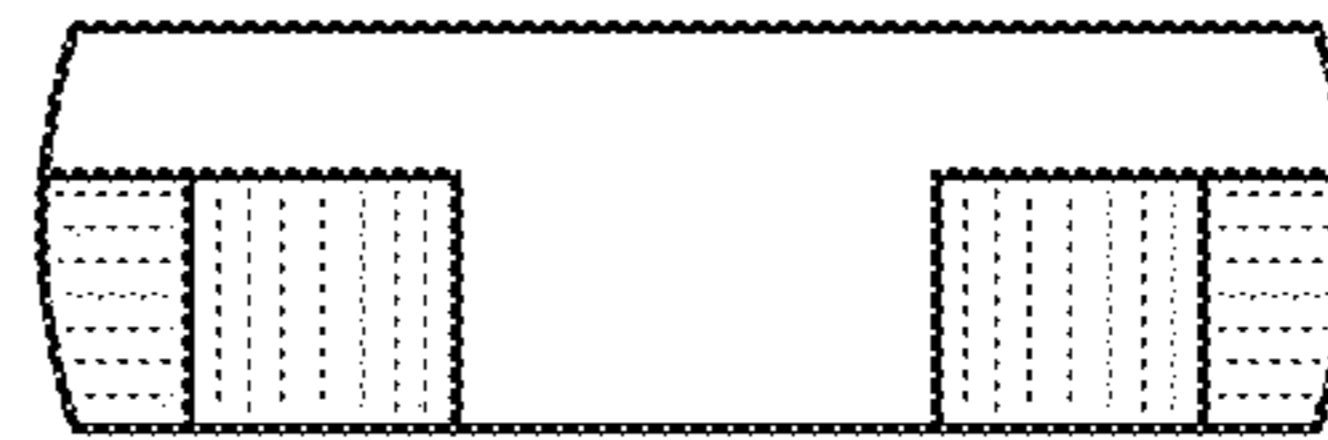
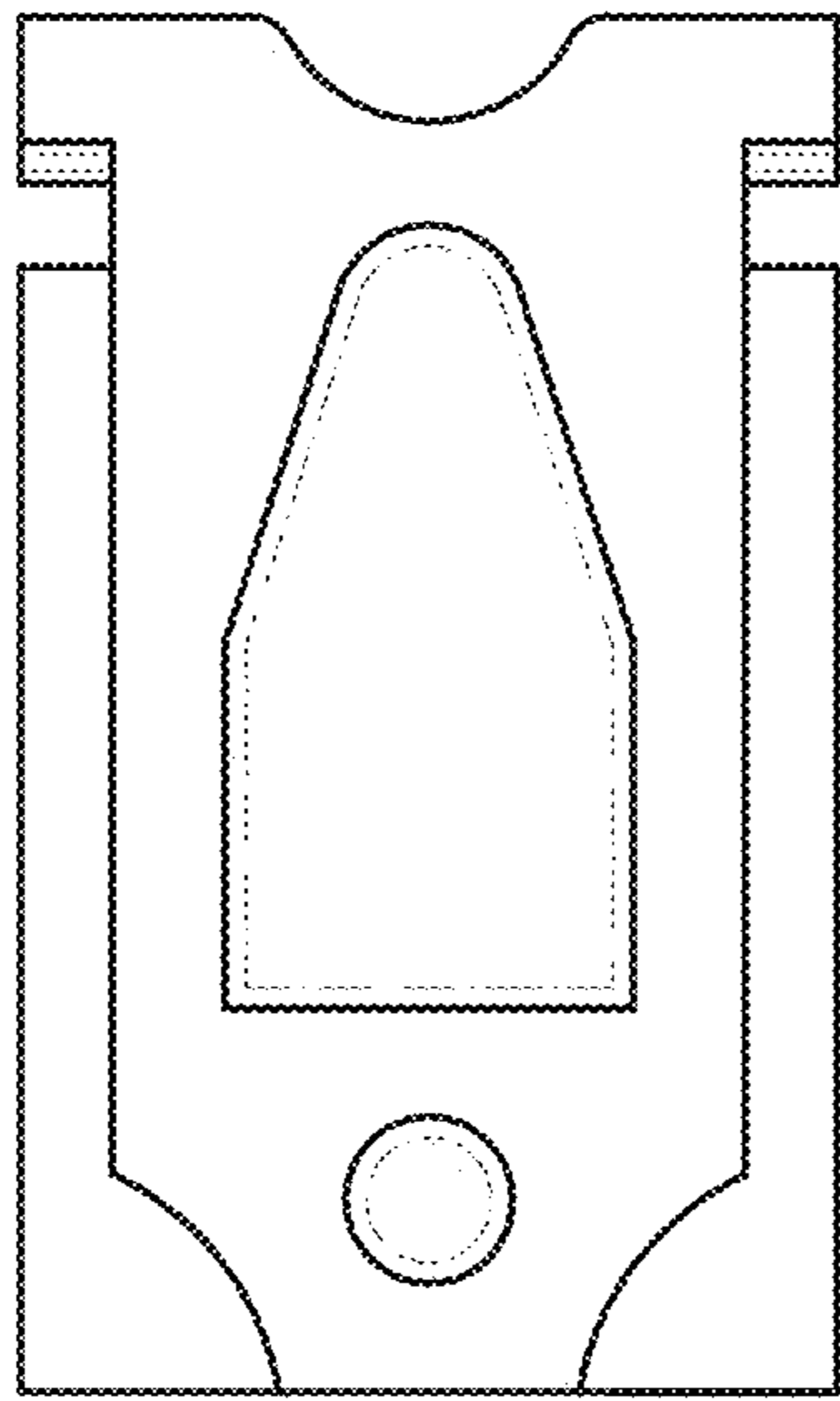
**1 Claim, 4 Drawing Sheets**

(56) **References Cited**

**U.S. PATENT DOCUMENTS**

D270,572 S \* 9/1983 Black ..... D25/68  
D286,743 S \* 11/1986 Cohen ..... D8/394  
D406,230 S \* 3/1999 Brorsson ..... D13/154  
D406,231 S \* 3/1999 Brorsson ..... D13/154  
D416,194 S \* 11/1999 Brorsson ..... D13/154  
D444,699 S \* 7/2001 Bentrin ..... D8/382  
D452,135 S \* 12/2001 Wyatt ..... D8/354  
D643,708 S \* 8/2011 Hecht ..... D8/394  
9,169,653 B2 \* 10/2015 Porter ..... E04F 13/08  
D758,835 S \* 6/2016 Glancy ..... D8/382  
D795,049 S \* 8/2017 Brigham ..... D8/382  
D808,784 S \* 1/2018 Suzuki ..... D8/384  
D826,704 S \* 8/2018 Wilson ..... D8/382  
D848,249 S \* 5/2019 Suzuki ..... D8/384





**FIG.1**

**FIG.2**

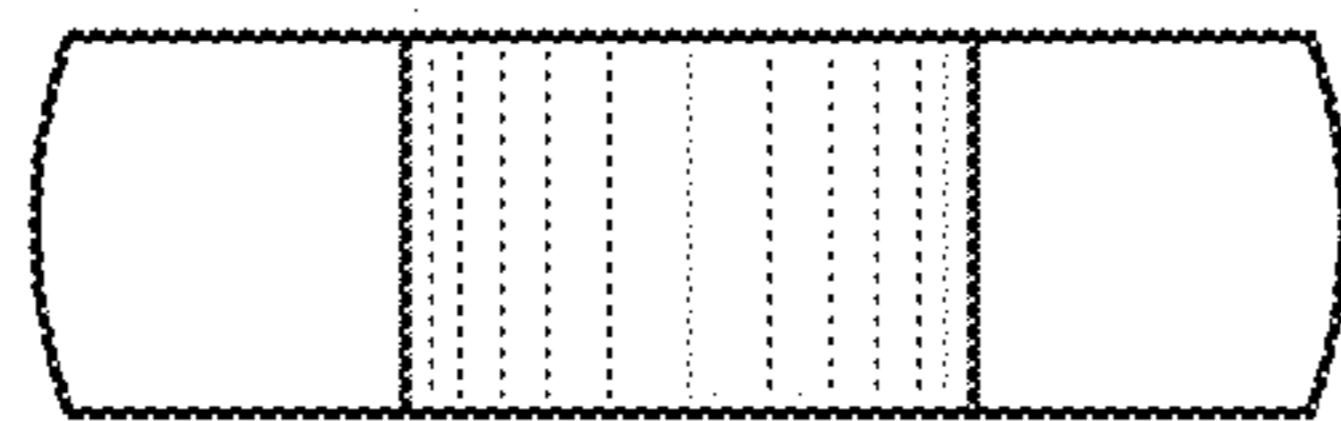


FIG. 3

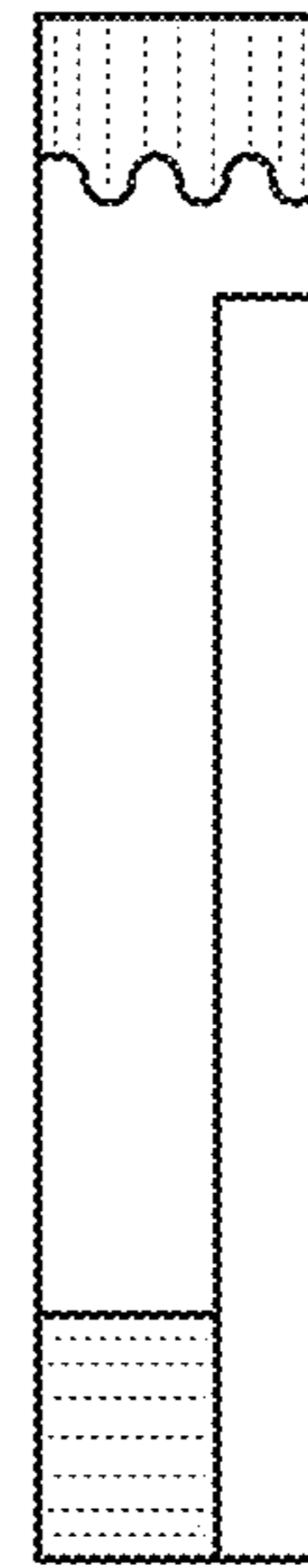
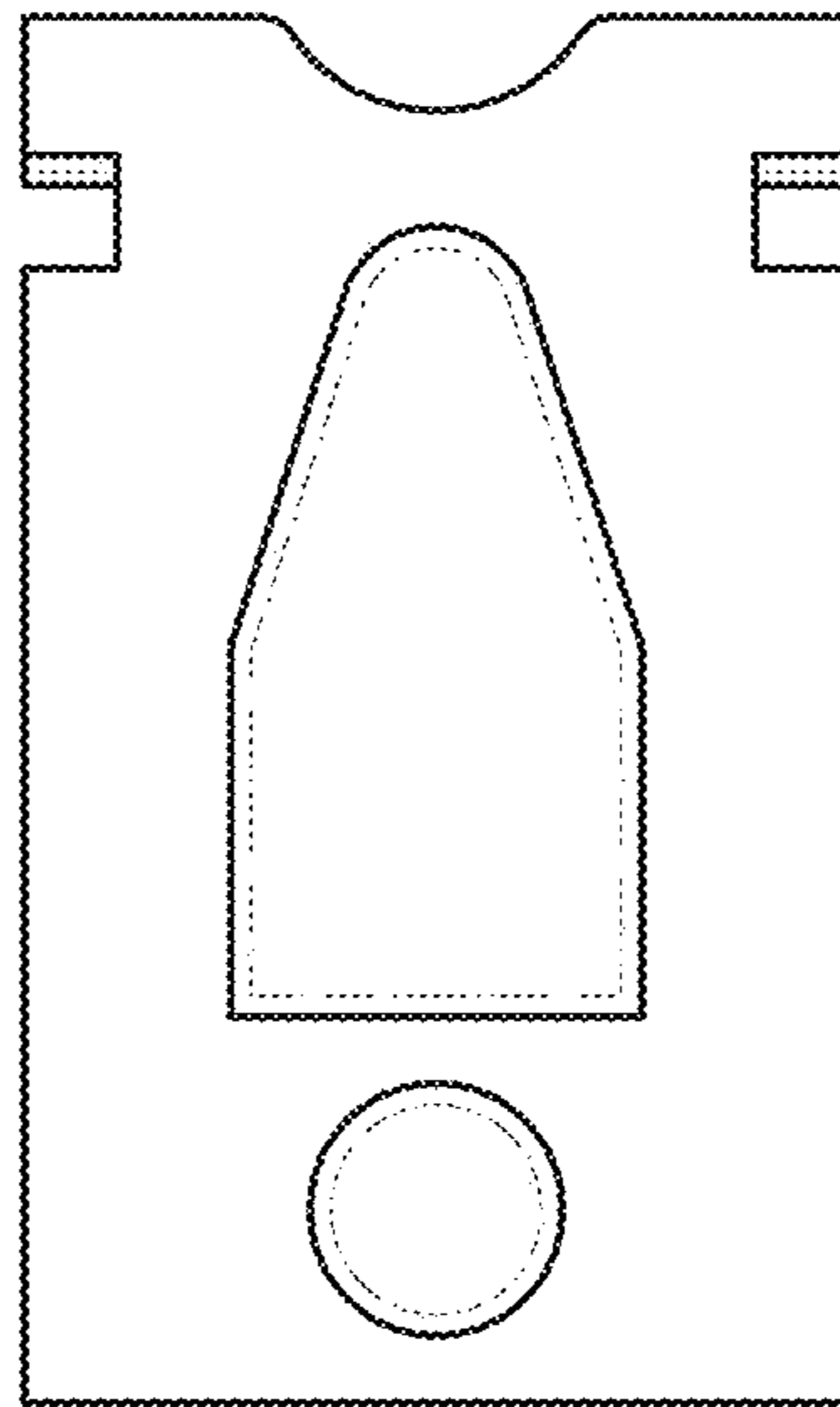
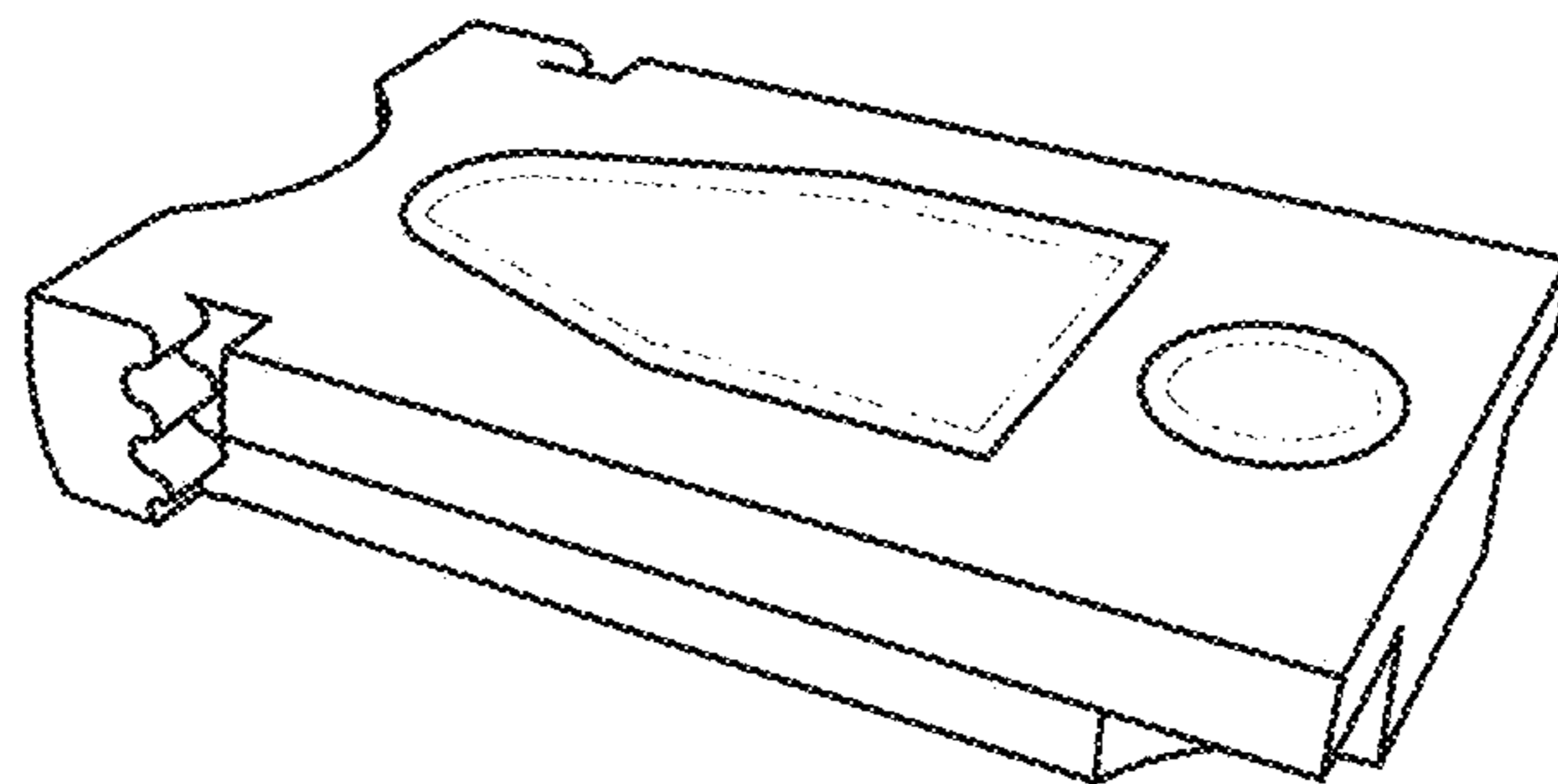


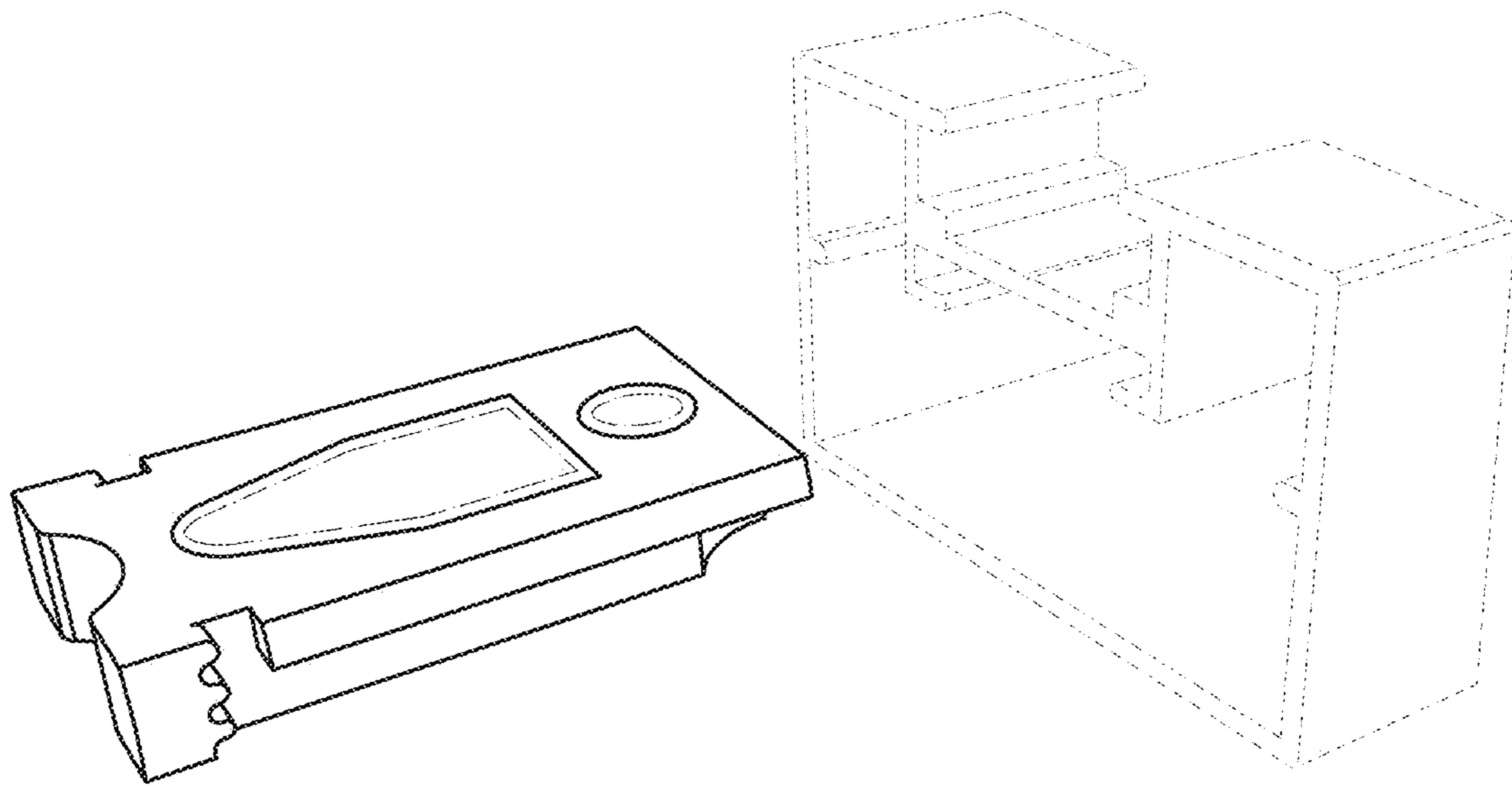
FIG. 4



**FIG.5**



**FIG.6**



**FIG. 7**