



US00D884927S

(12) **United States Design Patent**
O'Malley

(10) **Patent No.:** **US D884,927 S**

(45) **Date of Patent:** **** May 19, 2020**

(54) **VINEYARD POST**

FOREIGN PATENT DOCUMENTS

(71) Applicant: **Ocvitti Pty Ltd**, Adelaide, South Australia (AU)

CN 305029431 * 2/2019

(72) Inventor: **Brian O'Malley**, South Australia (AU)

OTHER PUBLICATIONS

(73) Assignee: **OCVITTI PTY LTD** (AU)

Ocloc B https://a61a46ab-d687-4665-90c0-28feabcaf581.filesusr.com/ugd/60c895_270a973b2084453cb0a837c084d2f483.pdf last modified May 24, 2019 (Year: 2019).*

(**) Term: **15 Years**

(Continued)

(21) Appl. No.: **29/672,239**

Primary Examiner — Leanne Was-Englehart

(22) Filed: **Dec. 4, 2018**

(74) *Attorney, Agent, or Firm* — Renner Kenner Greive Bobak Taylor & Weber

(30) **Foreign Application Priority Data**

Jul. 23, 2018 (AU) 201814393

(51) **LOC (12) Cl.** **25-01**

(52) **U.S. Cl.**
USPC **D25/131**

(58) **Field of Classification Search**
USPC D8/1; D25/119, 124, 125, 126, 128, 131, D25/132, 141
CPC E04H 12/2292; E04H 17/10; E04H 17/20; A01G 17/14; E01F 15/141; E02D 5/64; F16B 2/12; F16B 7/0426

See application file for complete search history.

(56) **References Cited**

U.S. PATENT DOCUMENTS

- 3,173,661 A * 3/1965 Kruger E04H 17/10
256/47
- D206,131 S * 11/1966 Ford D25/121
- 3,758,062 A * 9/1973 Caldwell E04F 21/05
248/156
- D436,505 S * 1/2001 Mann D25/131
- D595,069 S * 6/2009 Berry D25/119
- D600,823 S * 9/2009 Ratanasiriwilai D25/121
- D600,824 S * 9/2009 Ratanasiriwilai D25/121
- D600,825 S * 9/2009 Ratanasiriwilai D25/121

(Continued)

(57) **CLAIM**

The ornamental design for a vineyard post, as shown and described.

DESCRIPTION

FIG. 1 is a front, top perspective view of a vineyard post, wherein FIG. 1 contains a symbolic break such that the portion between the break lines forms no part of the claimed design;

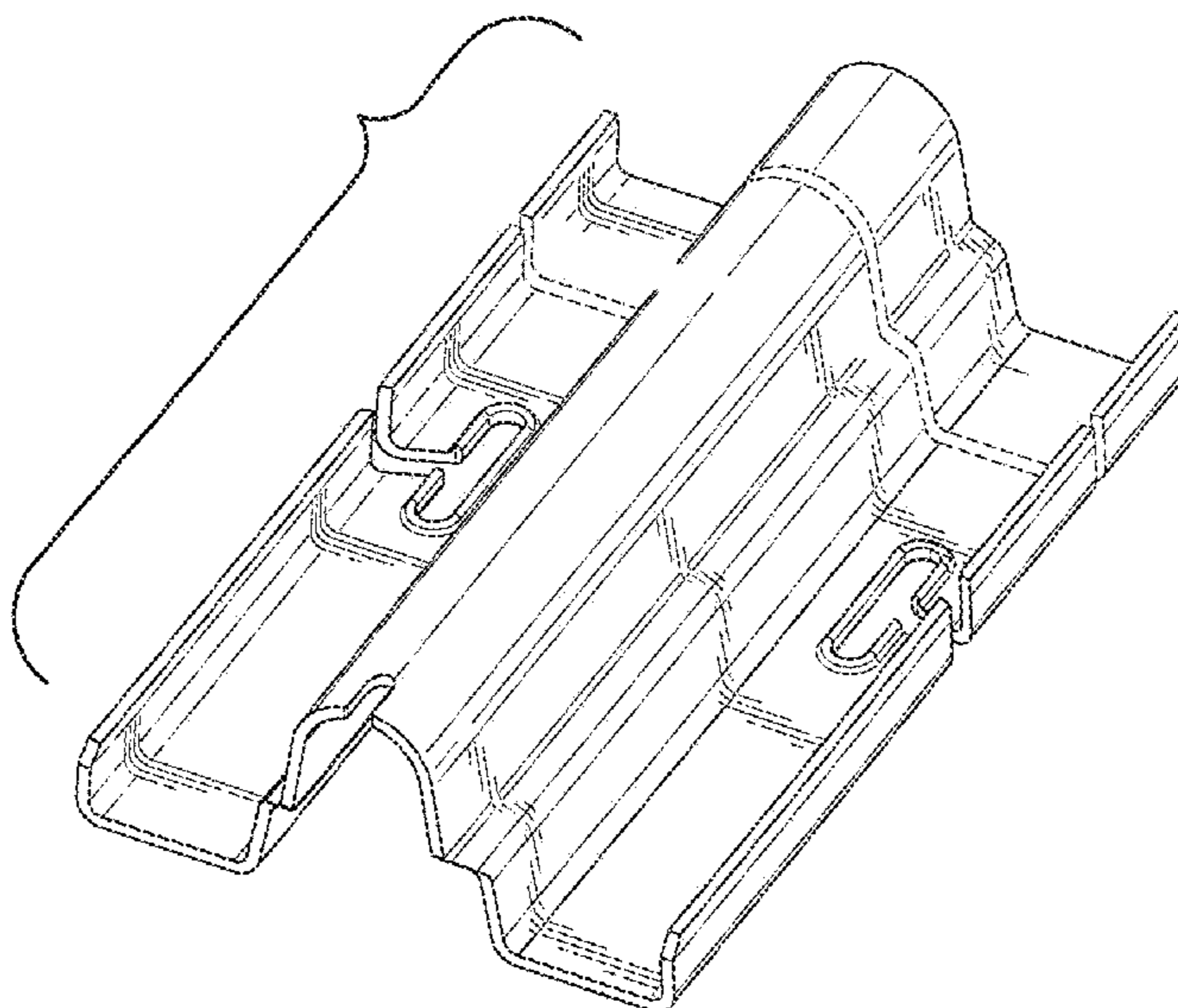
FIG. 2 is a top plan view of the vineyard post of FIG. 1, wherein FIG. 2 contains a symbolic break such that the portion between the break lines forms no part of the claimed design;

FIG. 3 is a left side elevational view of the vineyard post of FIG. 1, with the opposite right side of the vineyard post being a mirror image of this figure and wherein FIG. 3 contains a symbolic break such that the portion between the break lines forms no part of the claims design; and,

FIG. 4 is a front elevational view of the vineyard post of FIG. 1, with the opposite rear elevational view being a mirror image of FIG. 4.

As stated above, the drawings contain a symbolic break as evidenced by the use of broken lines. The portion between the break lines forms no part of the claimed design.

1 Claim, 4 Drawing Sheets



(56)

References Cited

U.S. PATENT DOCUMENTS

D600,826 S * 9/2009 Ratanasiriwilai D25/121
D600,827 S * 9/2009 Ratanasiriwilai D25/121
9,359,785 B2 * 6/2016 Catt A01G 17/14
D824,048 S * 7/2018 O'Malley D25/131
D846,978 S * 4/2019 Dupont-Madinier D8/395
D851,782 S * 6/2019 Mann D25/38.1

OTHER PUBLICATIONS

Ocloc C https://a61a46ab-d687-4665-90c0-28feabcaf581.filesusr.com/ugd/60c895_6b588278ed964b6ebd3779286cc5b4c1.pdf last modified May 24, 2019 (Year: 2019).*

* cited by examiner

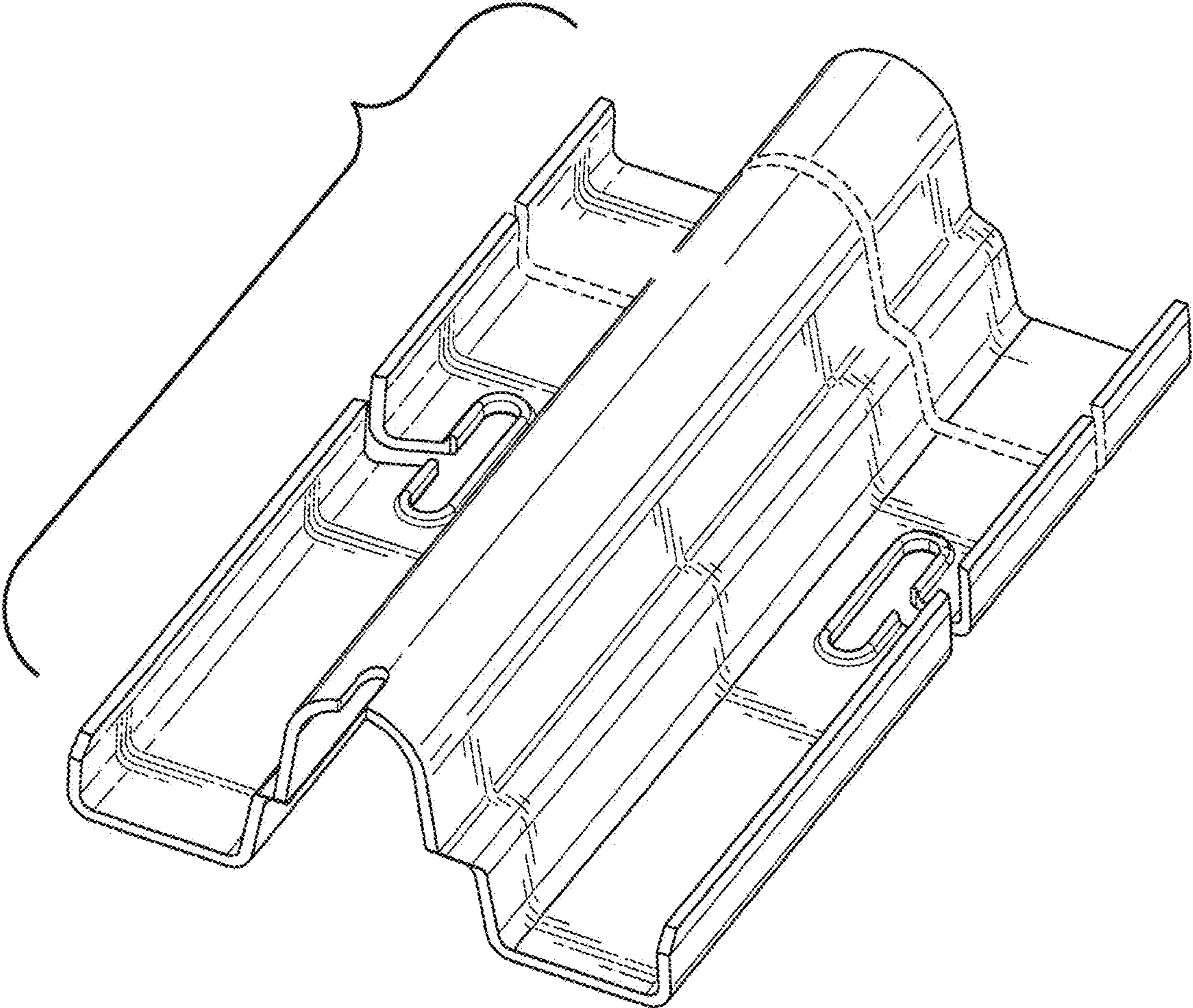


FIG. 1

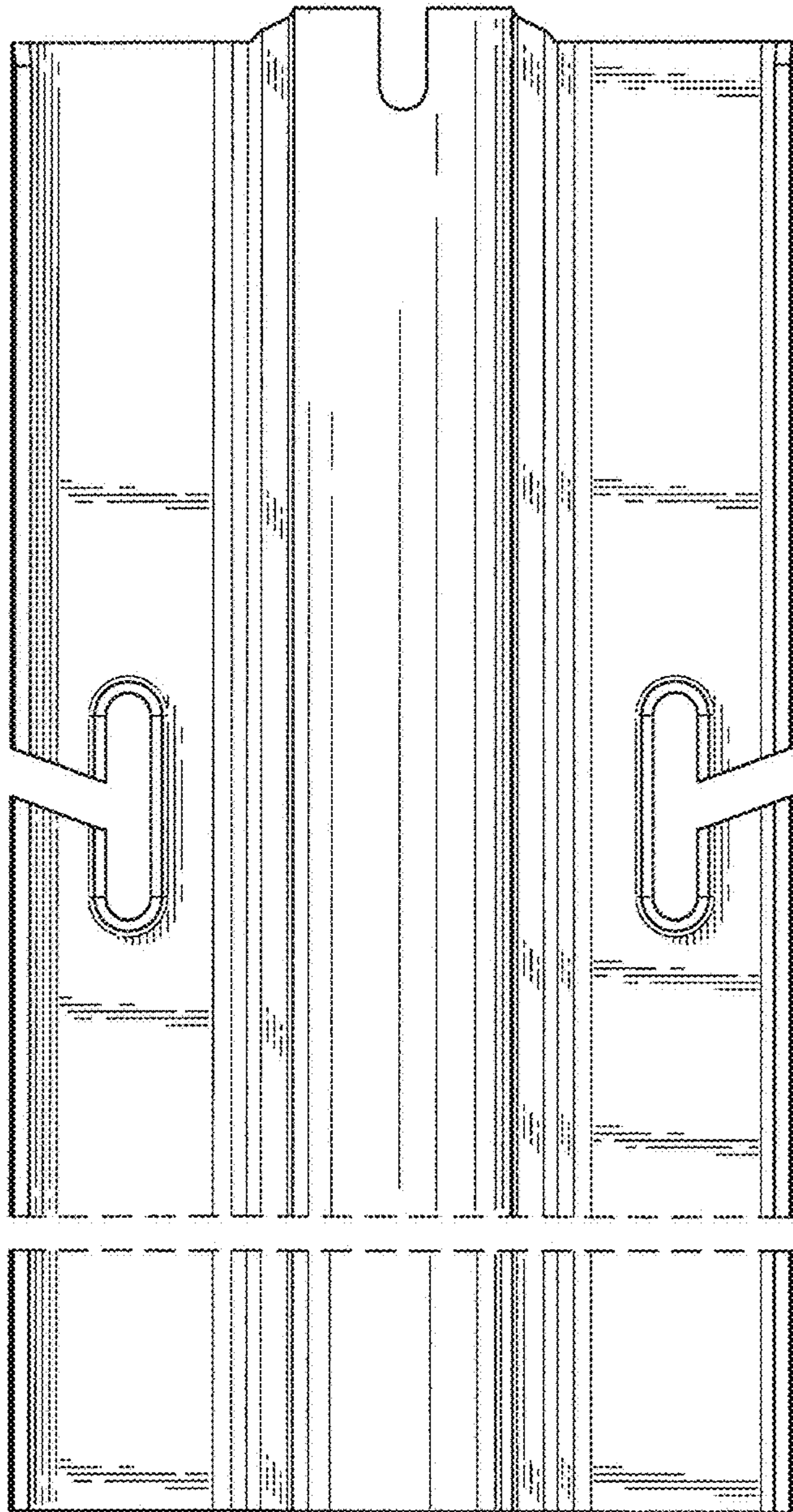


FIG. 2

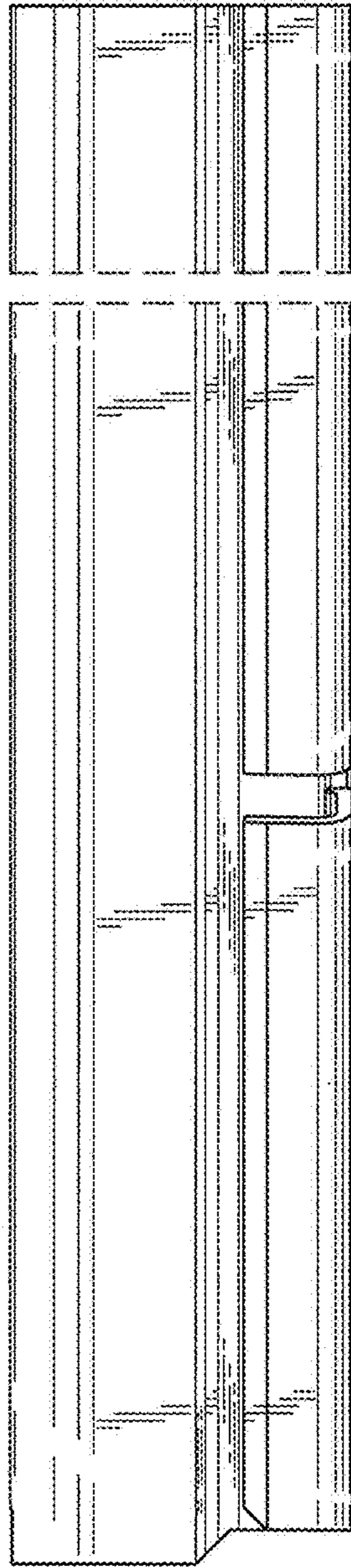


FIG. 3

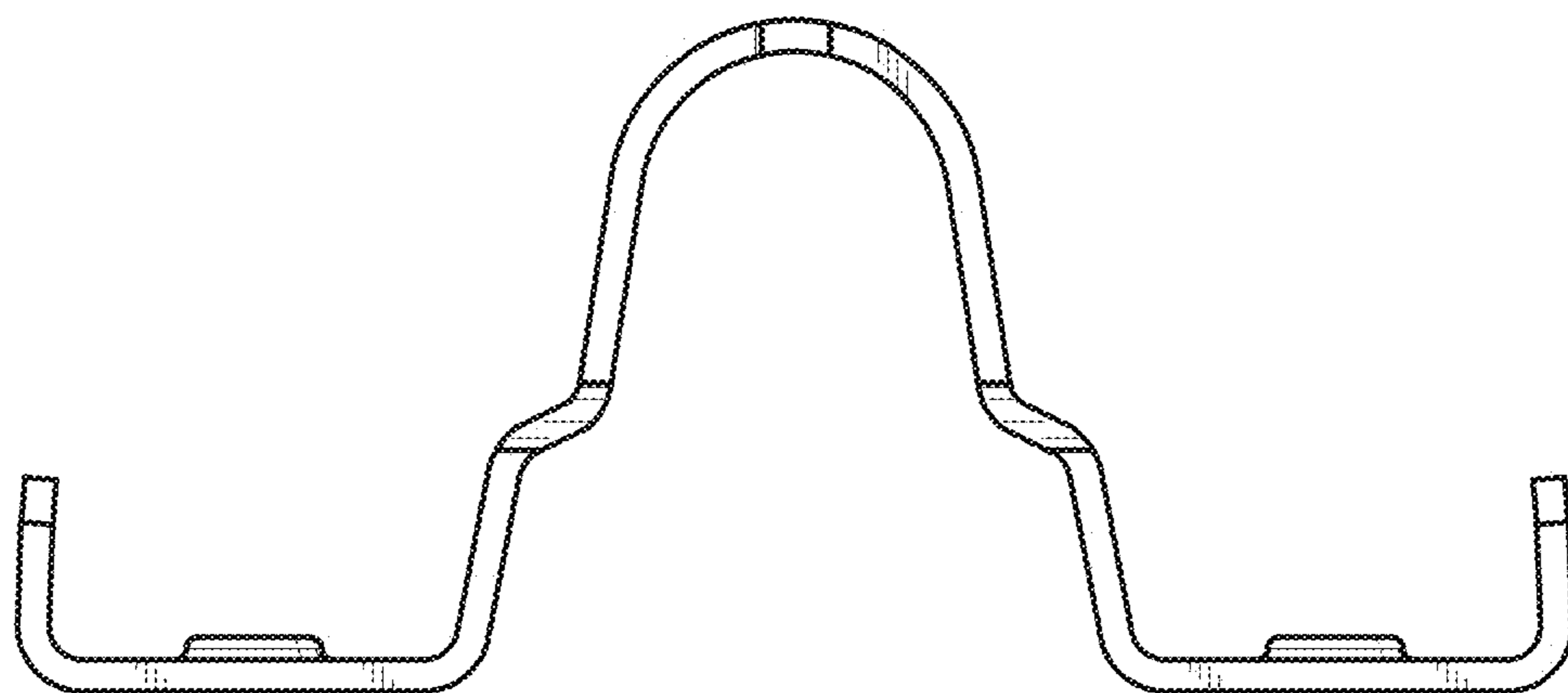


FIG. 4