



US00D884923S

(12) **United States Design Patent**
Green

(10) **Patent No.:** **US D884,923 S**

(45) **Date of Patent:** **** May 19, 2020**

(54) **ENGINE MAINTENANCE LADDER**

(71) Applicant: **LockNClimb, LLC**, Independence, KS
(US)

(72) Inventor: **Jeffrey Alan Green**, Independence, KS
(US)

(73) Assignee: **LOCK N CLIMB, LLC**,
Independence, KS (US)

(**) Term: **15 Years**

(21) Appl. No.: **29/664,427**

(22) Filed: **Sep. 25, 2018**

(51) **LOC (12) Cl.** **25-04**

(52) **U.S. Cl.**
USPC **D25/64**

(58) **Field of Classification Search**
USPC D25/62-65, 68, 69, 66; 182/165, 194,
182/22, 23, 93, 180.1, 156, 166, 111,
182/152, 180.2, 179.1, 201, 159, 162,
182/106, 26, 115, 124, 172; 248/210
CPC ... E06C 1/383; E06C 1/14; E06C 5/02; E06C
7/10; E06C 1/393; E06C 1/39; E06C
1/3835

See application file for complete search history.

(56) **References Cited**

U.S. PATENT DOCUMENTS

8,002,084 B2 * 8/2011 Huang E06C 1/18
182/159
D722,182 S * 2/2015 Green D25/64

D745,191 S * 12/2015 Green D25/64
D796,694 S * 9/2017 Green D25/64
D836,215 S * 12/2018 Green D25/68
D840,055 S * 2/2019 Skubic D25/64
2015/0308190 A1 * 10/2015 Skubic E06C 1/393
182/124
2015/0354276 A1 * 12/2015 Green E06C 1/16
182/172

* cited by examiner

Primary Examiner — Gino Colan

(74) *Attorney, Agent, or Firm* — Katten Muchin
Rosenman LLP

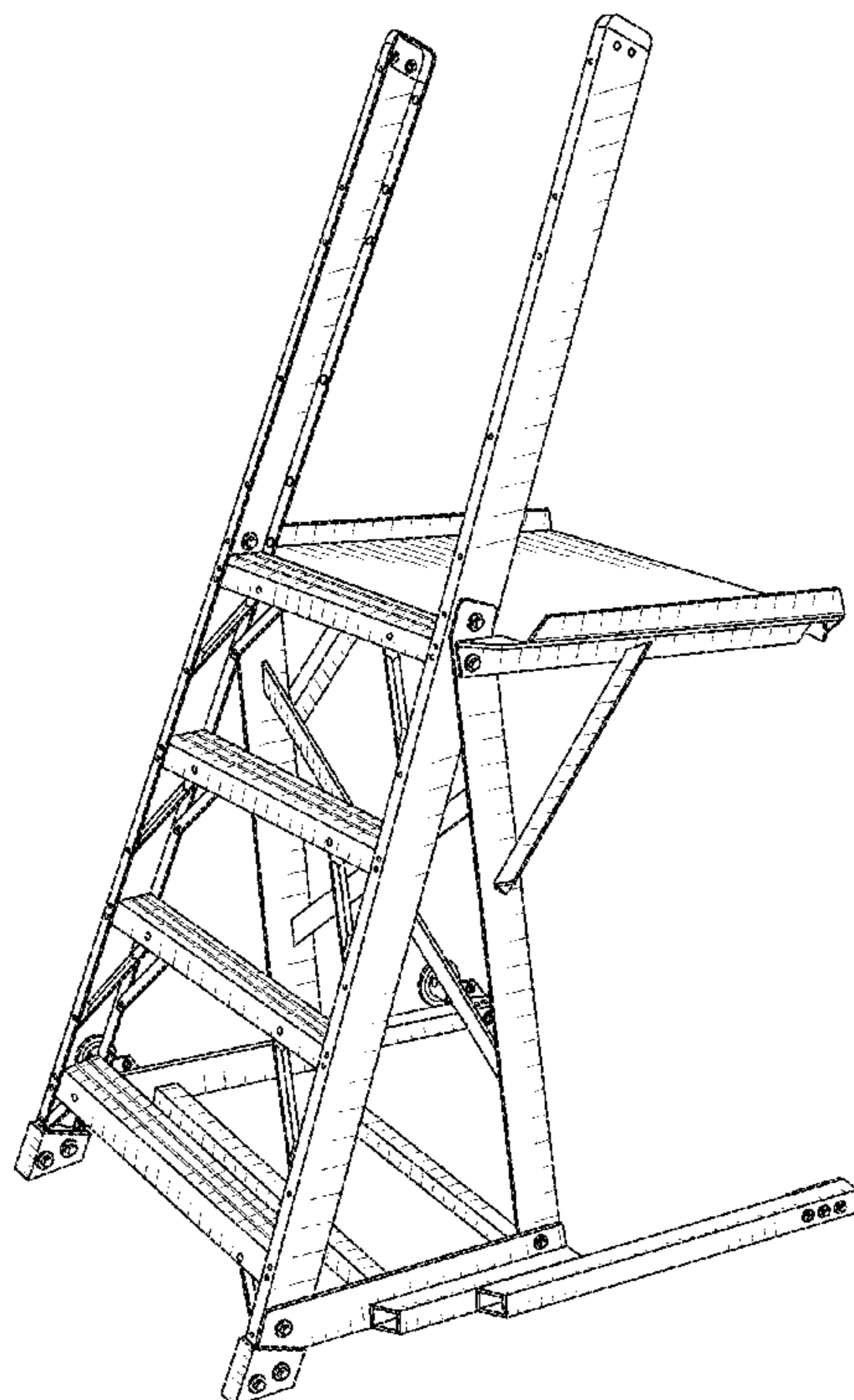
(57) **CLAIM**

The ornamental design for the engine maintenance ladder, as shown and described.

DESCRIPTION

FIG. 1 is a front perspective view of an engine maintenance ladder showing my new design;
FIG. 2 is a rear elevation view thereof;
FIG. 3 is a front elevation view thereof;
FIG. 4 is a right side elevation view thereof;
FIG. 5 is a left side elevation view thereof;
FIG. 6 is a top plan view thereof; and,
FIG. 7 is a bottom plan view thereof.

1 Claim, 7 Drawing Sheets



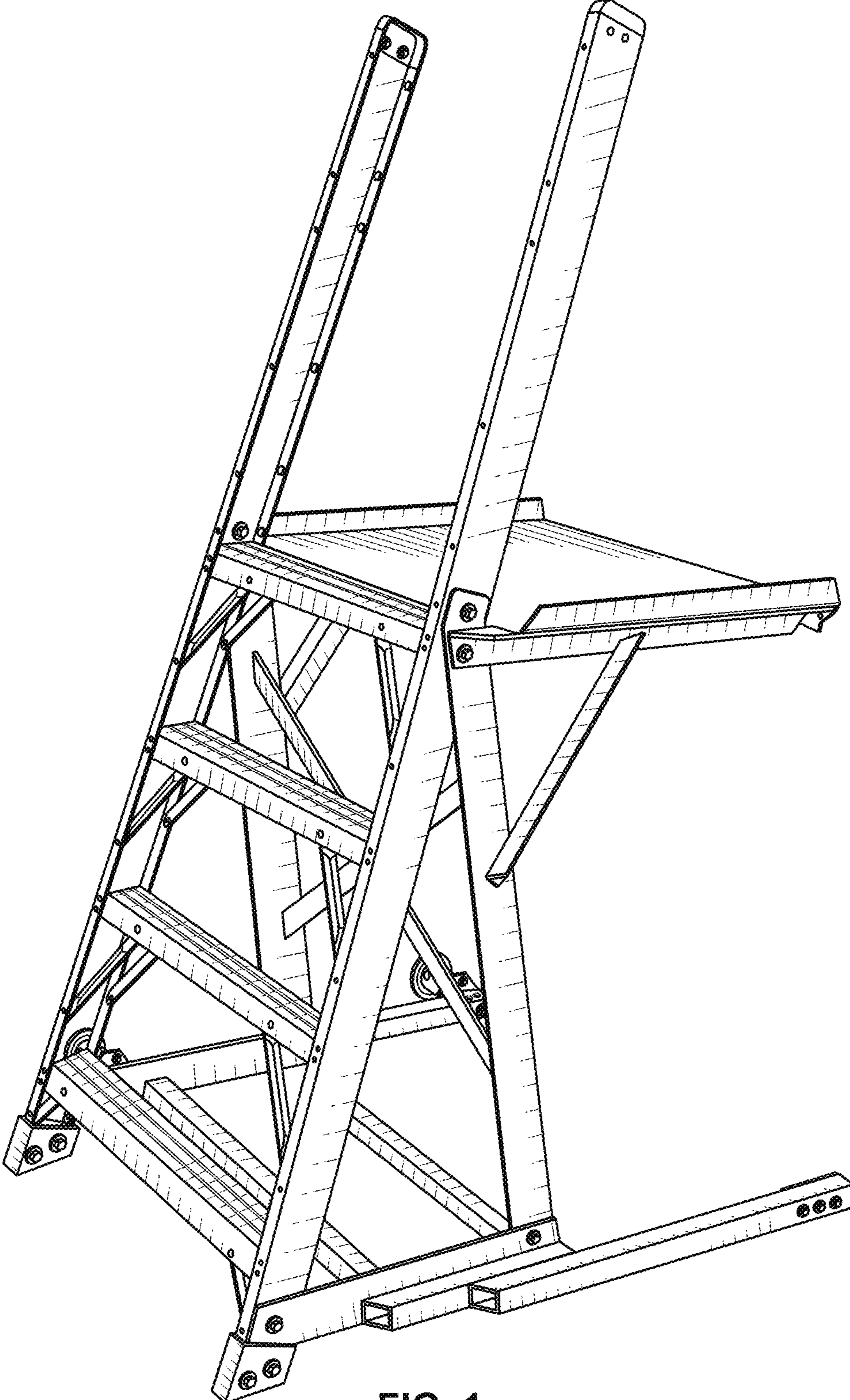


FIG. 1

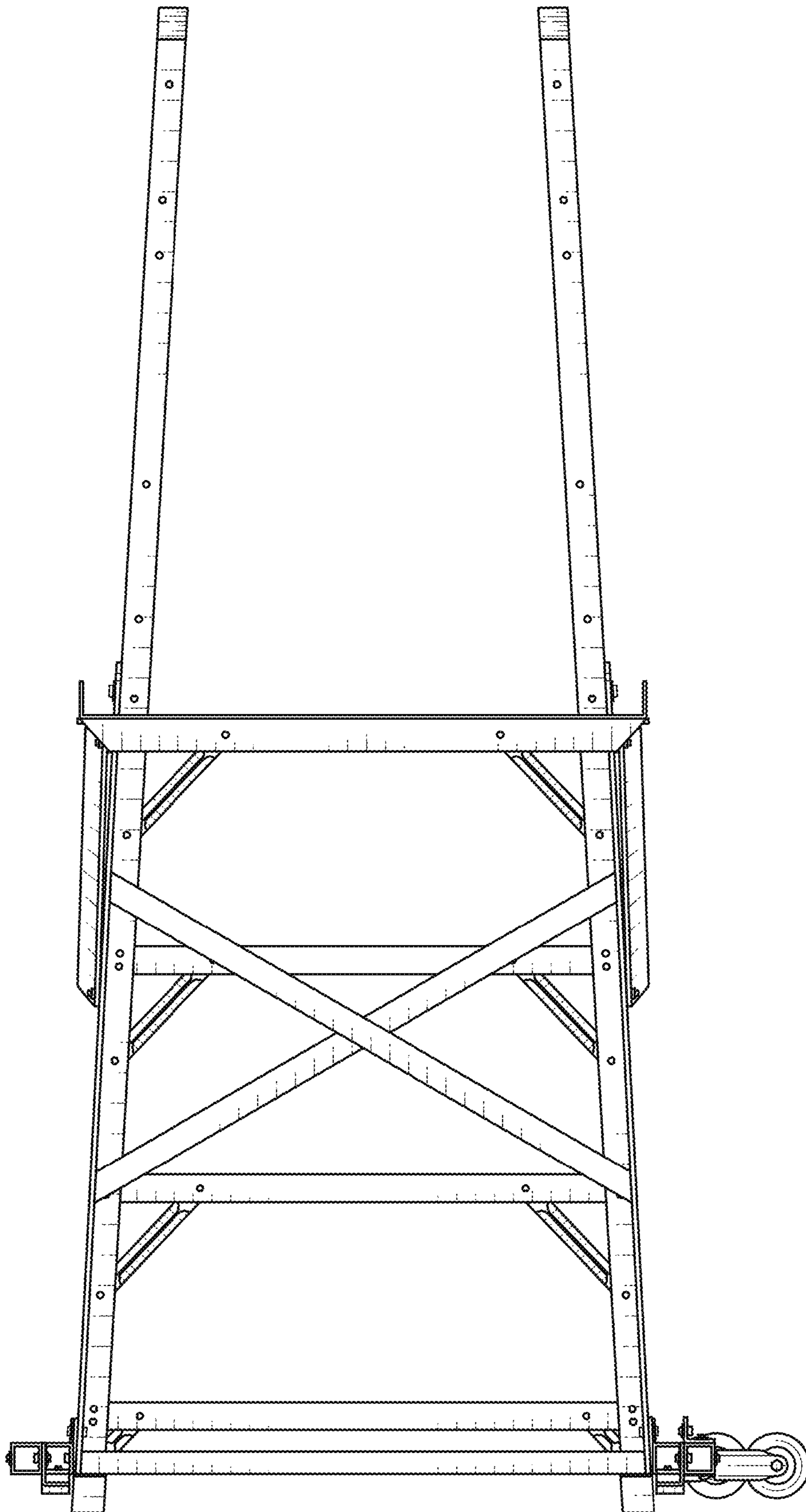


FIG. 2

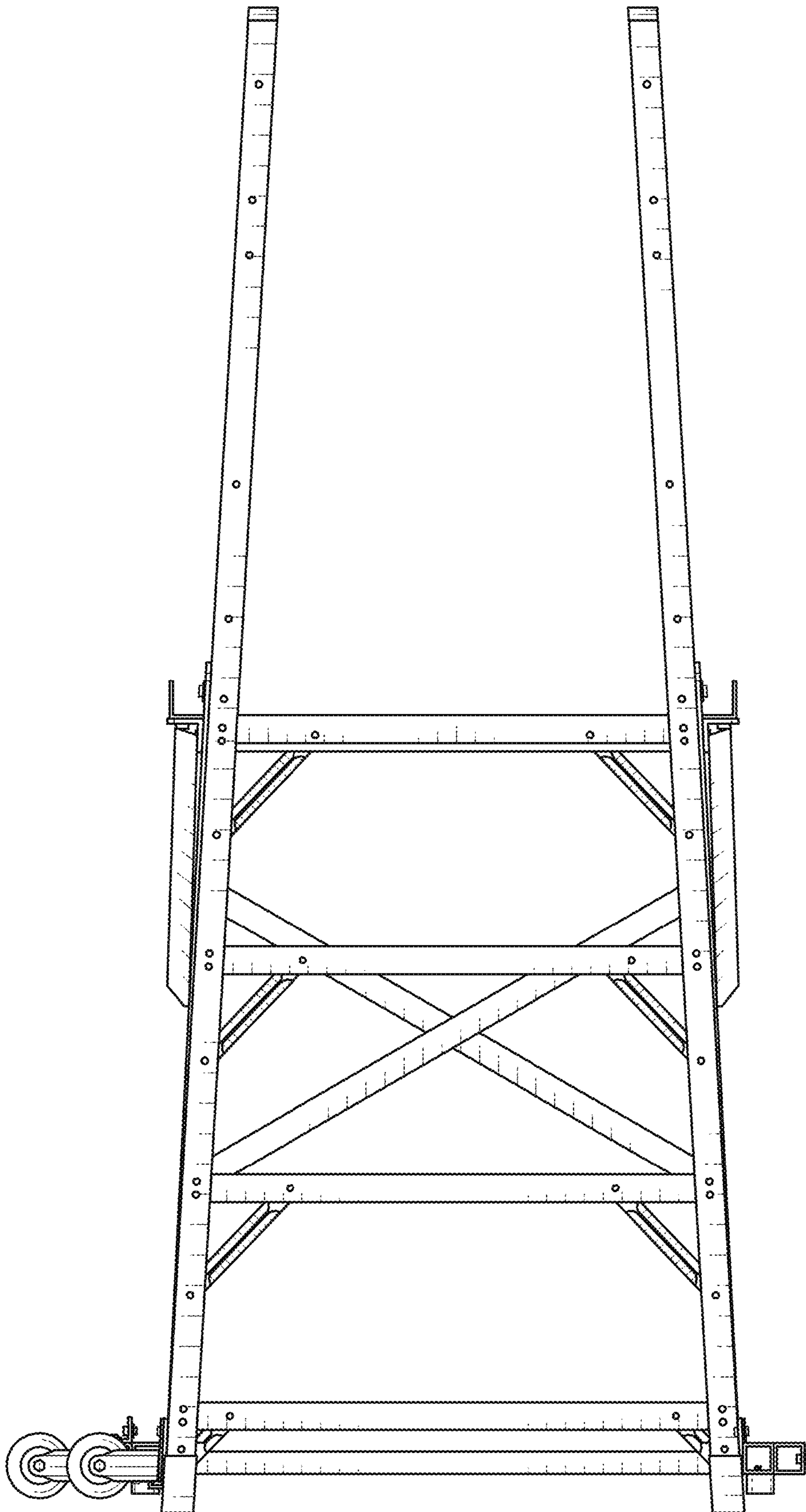


FIG. 3

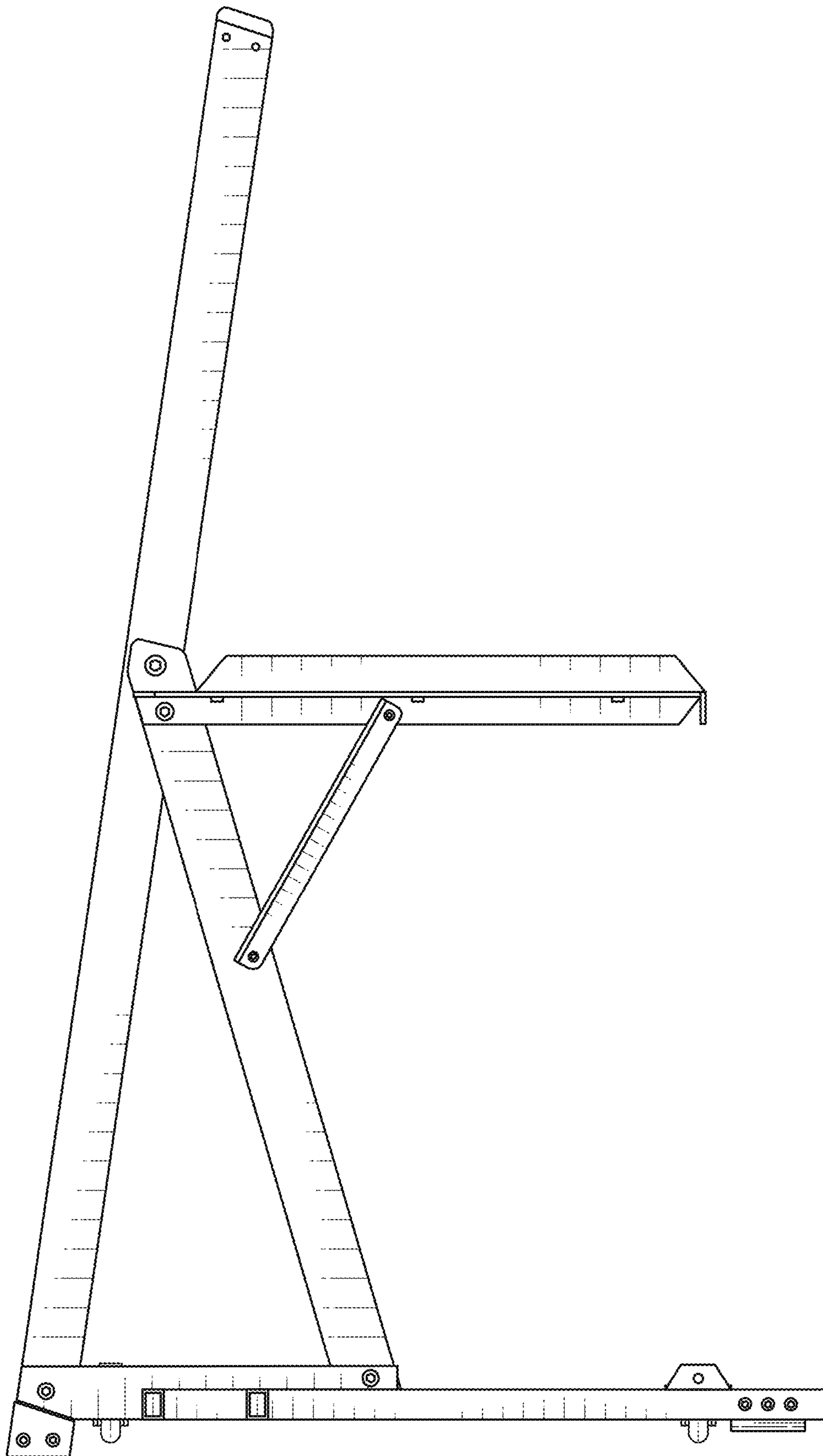


FIG. 4

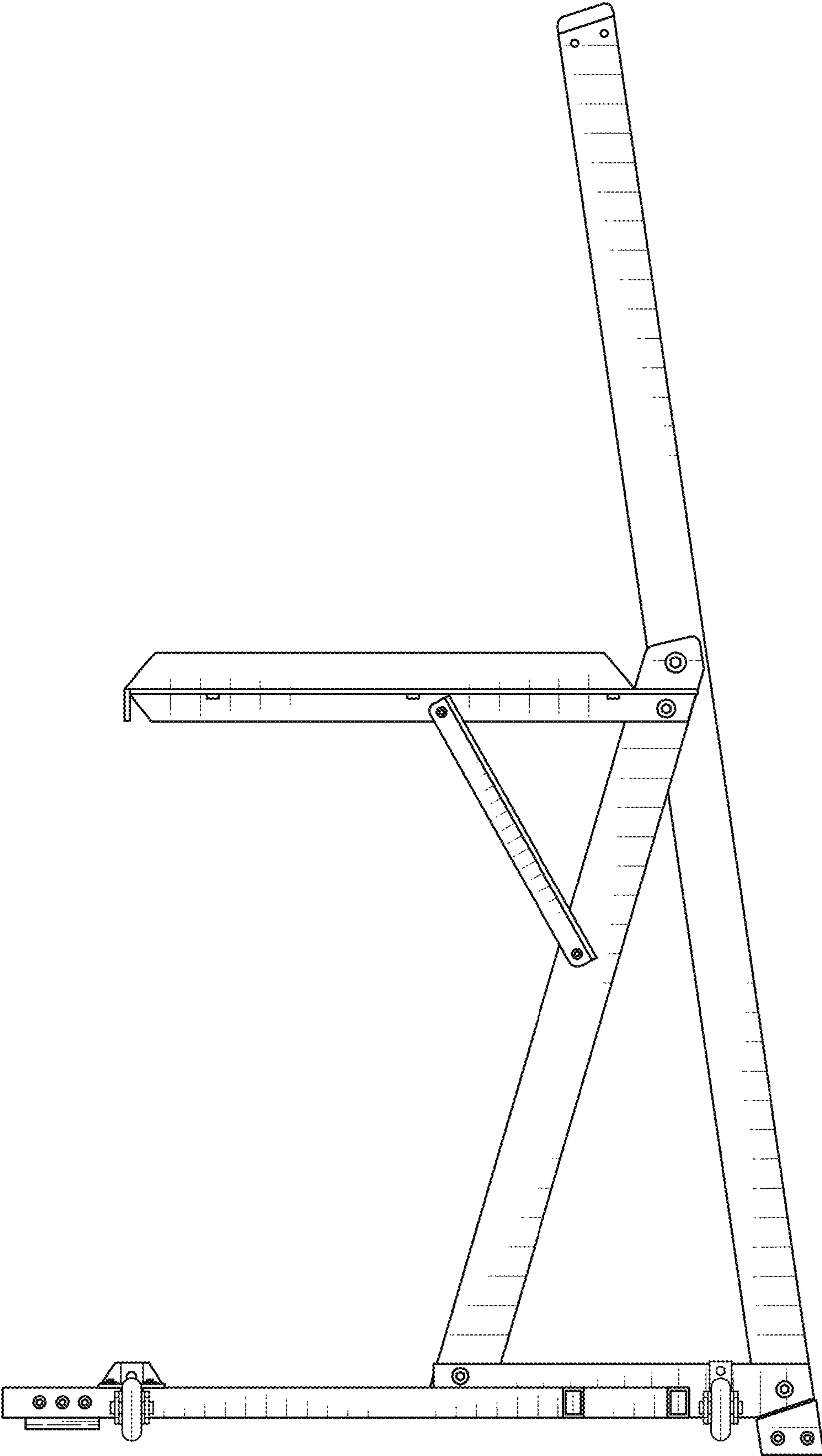


FIG. 5

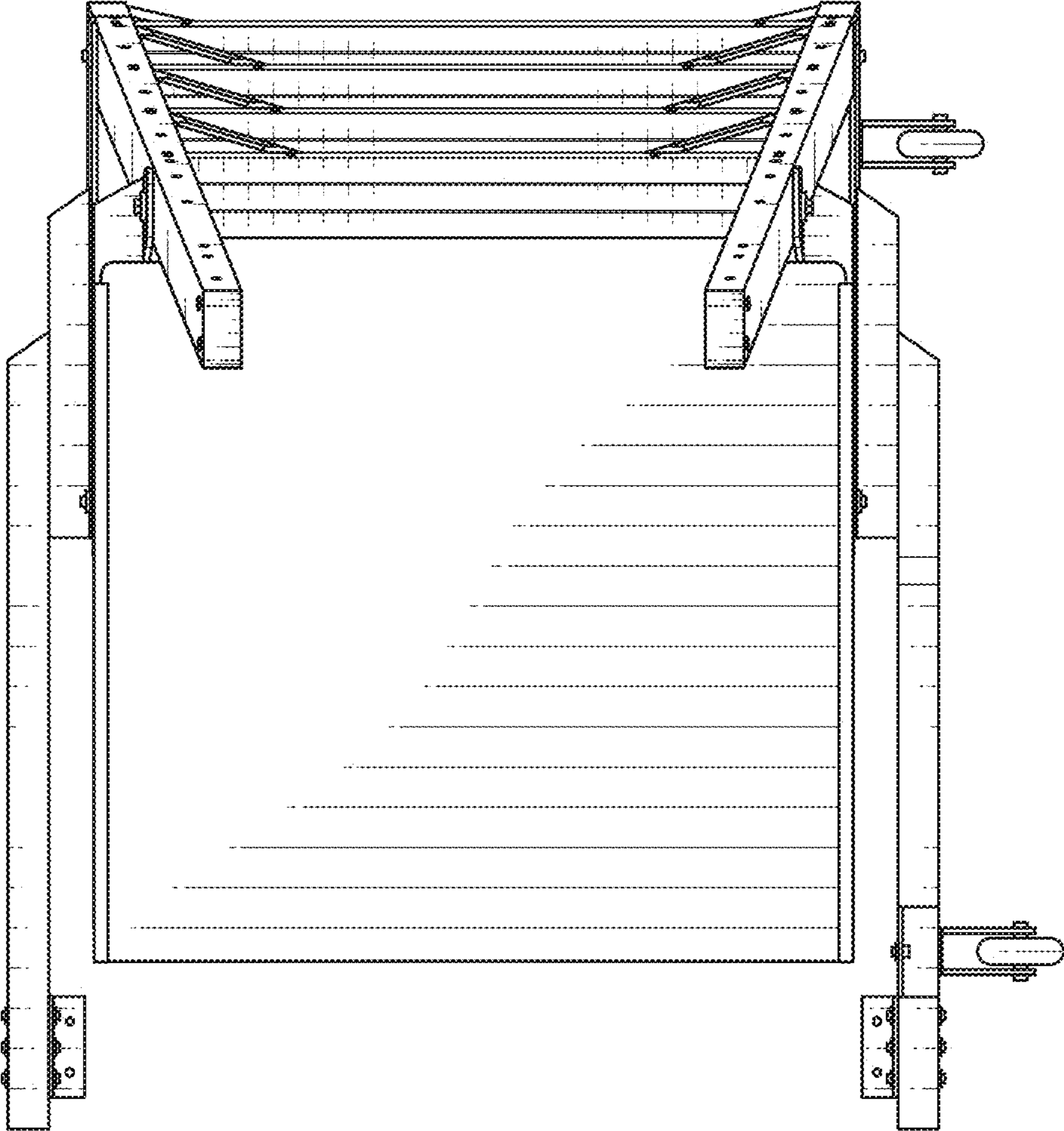


FIG. 6

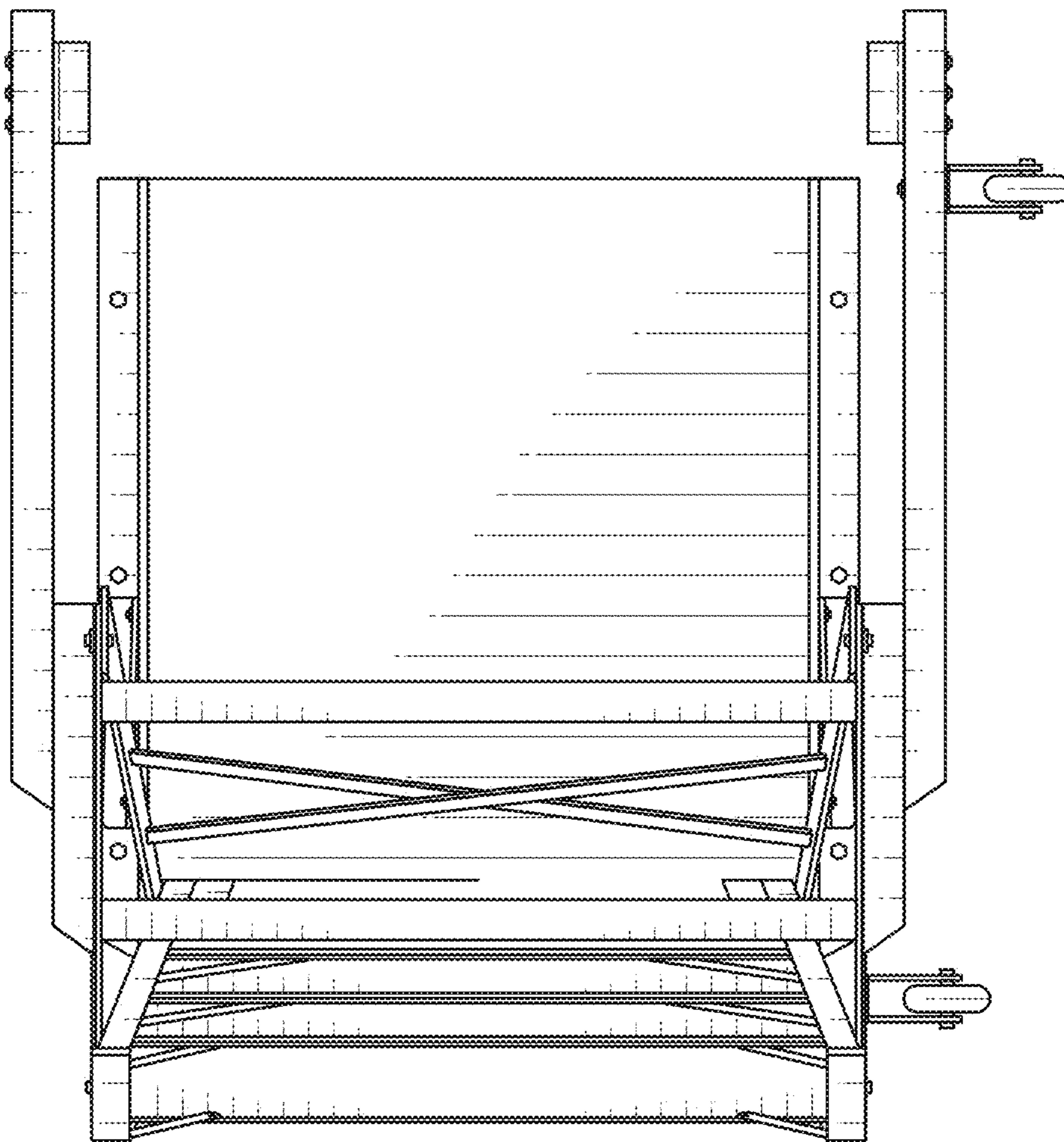


FIG. 7