



US00D884919S

(12) **United States Design Patent**
Parsons et al.

(10) **Patent No.:** **US D884,919 S**
(45) **Date of Patent:** **** May 19, 2020**

- (54) **DIAGNOSTIC TEST STICK**
- (71) Applicant: **Ellume Pty Ltd**, East Brisbane (AU)
- (72) Inventors: **Sean Andrew Parsons**, East Brisbane (AU); **Andrea Ranzoni**, East Brisbane (AU); **Scott Robert Fry**, East Brisbane (AU); **Geoff Bywater**, Bardon (AU)
- (73) Assignee: **Ellume Limited**, East Brisbane, Queensland (AU)

D394,317 S * 5/1998 Carp D24/223
 D432,244 S * 10/2000 Anderson D24/223
 D439,985 S 4/2001 Sanner
 6,319,676 B1 * 11/2001 Nazareth G01N 33/558
 422/408
 6,372,516 B1 * 4/2002 Sun B01L 3/5023
 422/408
 6,767,714 B2 7/2004 Nazareth et al.
 6,855,561 B2 * 2/2005 Jerome G01N 21/8483
 422/420

(Continued)

- (**) Term: **15 Years**
- (21) Appl. No.: **29/693,819**
- (22) Filed: **Jun. 5, 2019**

Related U.S. Application Data

- (62) Division of application No. 29/601,399, filed on Apr. 21, 2017, now Pat. No. Des. 855,825.

Foreign Application Priority Data

- Oct. 21, 2016 (AU) 201615947
- Oct. 21, 2016 (AU) 201615949

- (51) **LOC (12) Cl.** **24-02**
- (52) **U.S. Cl.**
USPC **D24/223**

- (58) **Field of Classification Search**
USPC D24/107, 108, 113, 114, 121, 133, 184,
D24/186, 216, 222-233
CPC B01F 13/0025; B01J 2219/00292; B01J
2220/64; B01L 3/14; B01L 3/508-50825;
B01L 3/52-523
See application file for complete search history.

(56) **References Cited**

U.S. PATENT DOCUMENTS

- D342,575 S 12/1993 Ashihara et al.
- D361,842 S * 8/1995 Nazareth D24/223

OTHER PUBLICATIONS

Ellume, ellume•lab. [online] Published Jan. 31, 2018. Retrieved Jul. 16, 2018 from URL: <https://www.ellumehealth.com/ellumelab/>.

Primary Examiner — Vy N Koenig
(74) *Attorney, Agent, or Firm* — The Webb Law Firm

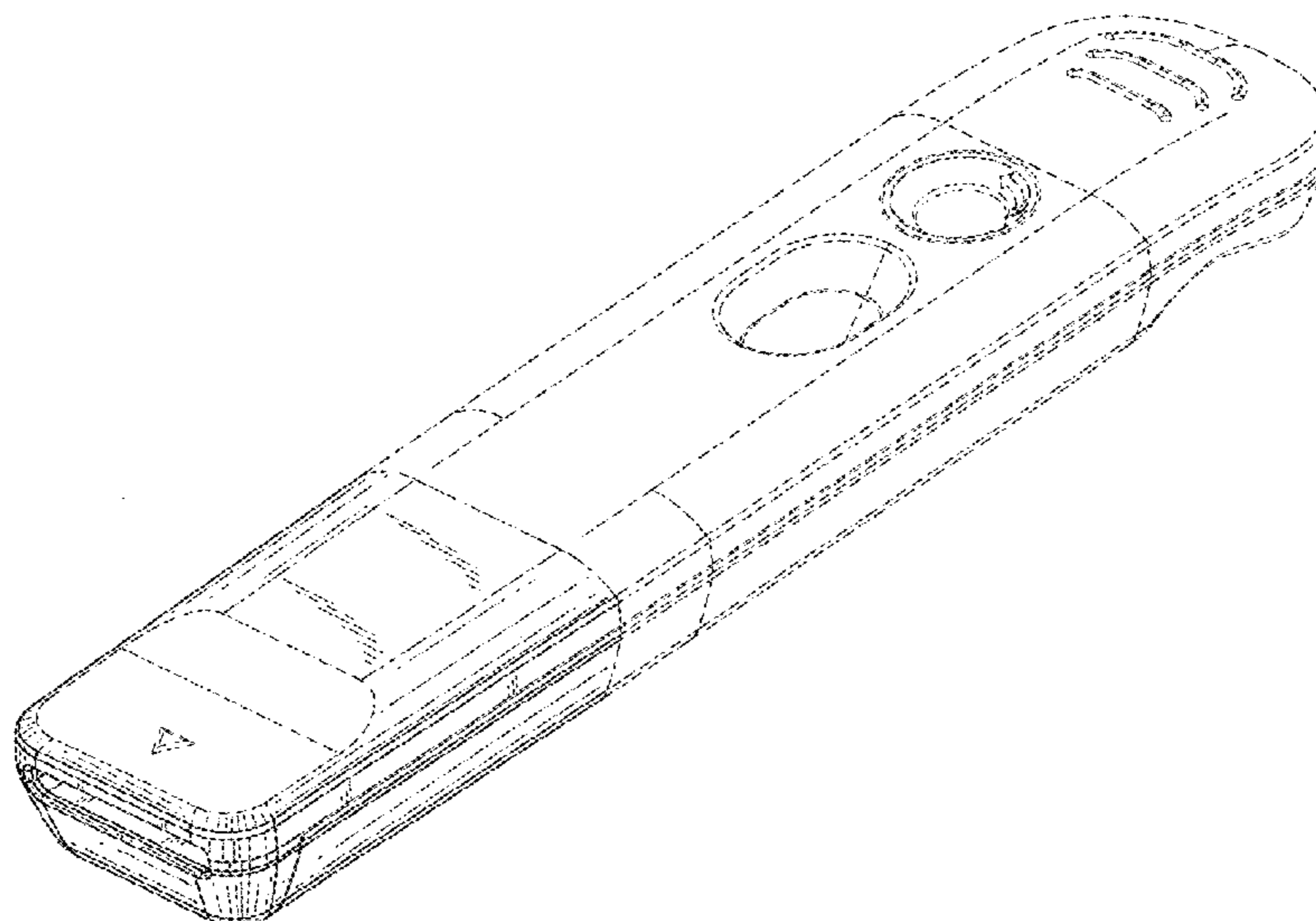
(57) **CLAIM**

The ornamental design for a diagnostic test stick, as shown and described.

DESCRIPTION

FIG. 1 is a front elevation view of a diagnostic test stick in accordance with the present design;
 FIG. 2 is a right side elevation view thereof;
 FIG. 3 is a rear elevation view thereof;
 FIG. 4 is a left side elevation view thereof;
 FIG. 5 is a top plan view thereof;
 FIG. 6 is a bottom plan view thereof;
 FIG. 7 is a front perspective view thereof; and,
 FIG. 8 is a rear perspective view thereof.
 Portions of the diagnostic test stick shown by evenly-spaced dashed lines in FIGS. 1-8 depict environmental structures and represent unclaimed portions of the diagnostic test stick. The short-dash, long-dash line around the circumference of the diagnostic test stick in FIGS. 1, 3, and 5-8 is a boundary line defining the bounds of the claimed design and forms no part thereof.

1 Claim, 6 Drawing Sheets



(56)

References Cited

U.S. PATENT DOCUMENTS

D548,359 S	8/2007	Illein et al.	
D576,737 S	9/2008	Lee et al.	
D655,424 S	3/2012	Castanon et al.	
D660,977 S *	5/2012	Wagner	D24/223
D660,978 S	5/2012	Wagner et al.	
D672,880 S	12/2012	Laverack et al.	
D676,144 S	2/2013	Laverack et al.	
D676,569 S	2/2013	Laverack et al.	
D698,457 S	1/2014	Canova et al.	
D698,937 S	2/2014	Laverack et al.	
D735,351 S	7/2015	Laverack et al.	
D772,428 S	11/2016	Fumito et al.	
10,352,946 B2 *	7/2019	Nazareth	G01N 33/689
D855,825 S *	8/2019	Parsons	D24/223

* cited by examiner

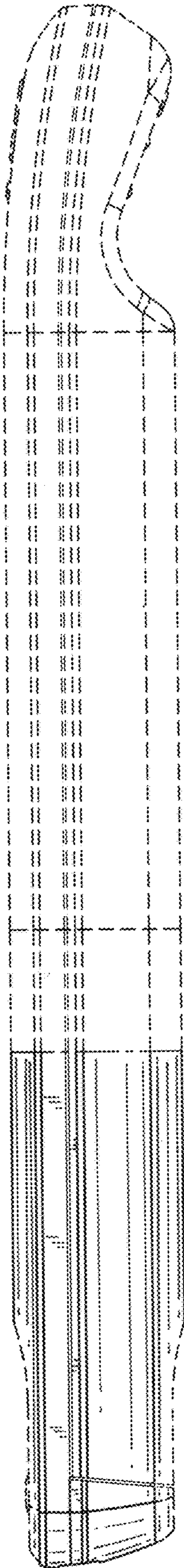


FIG. 1

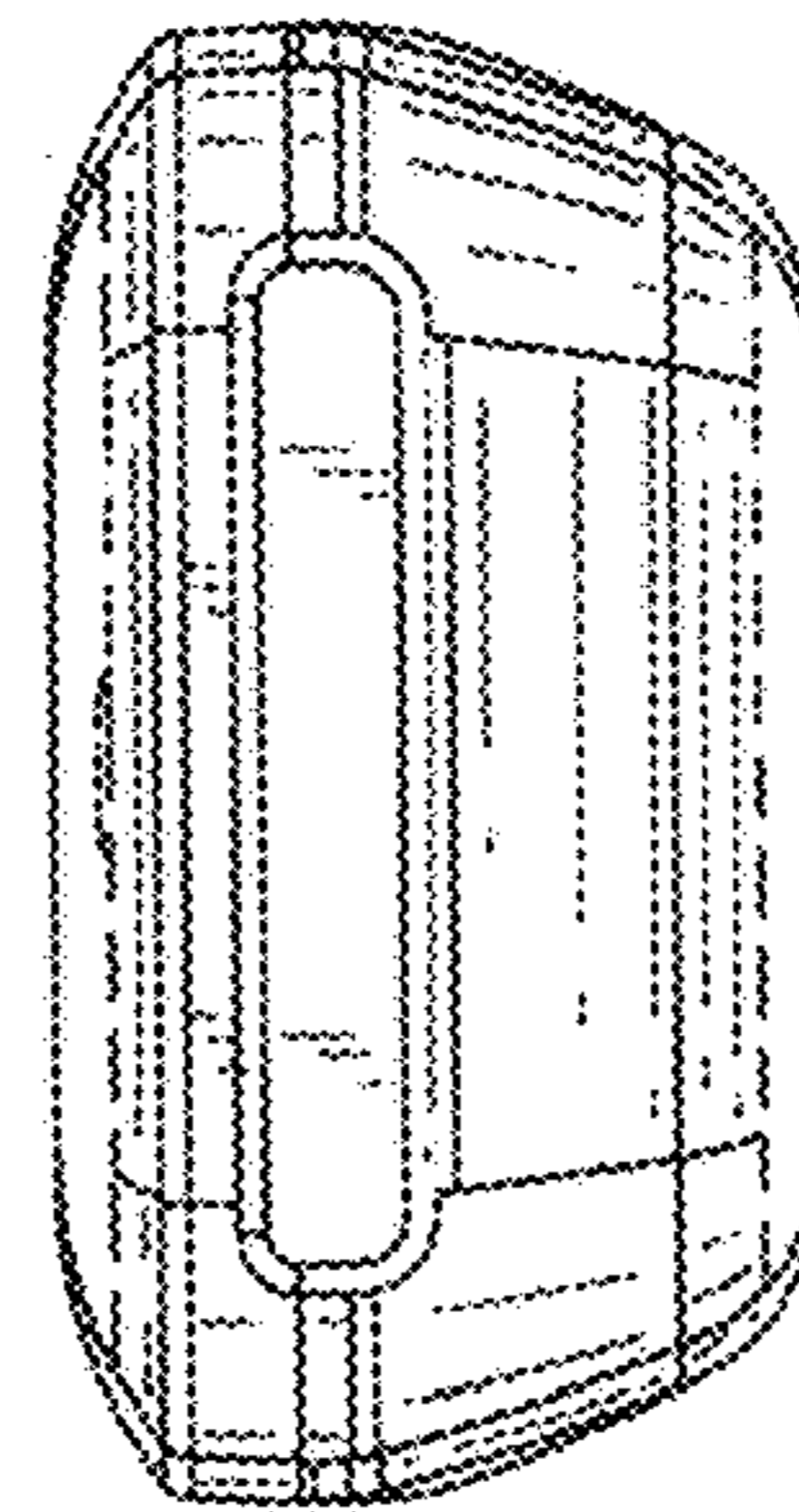


FIG. 2

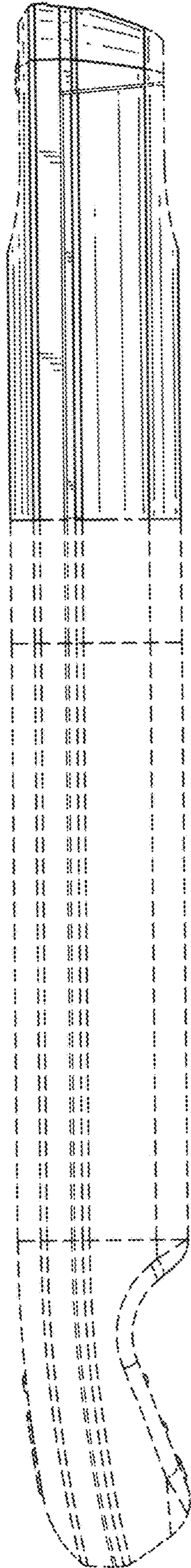


FIG. 3



FIG. 4

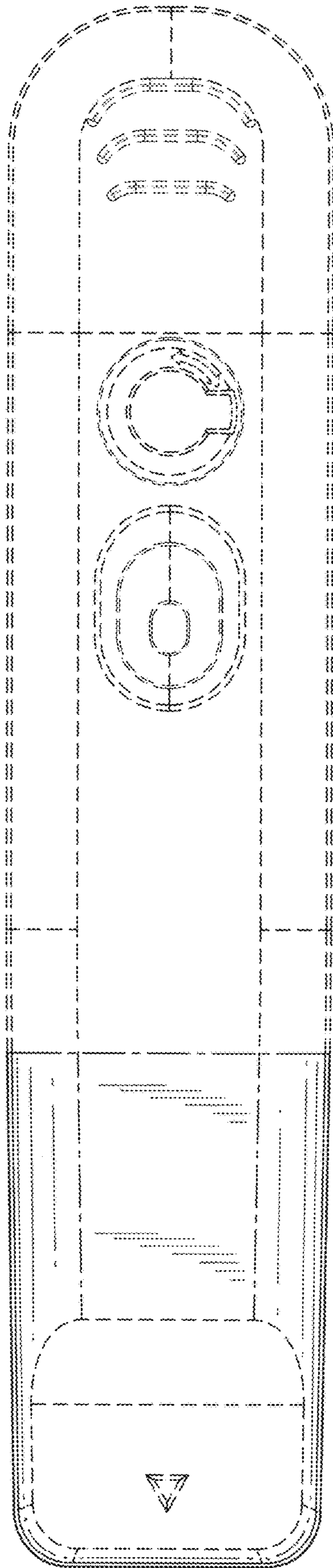


FIG. 5

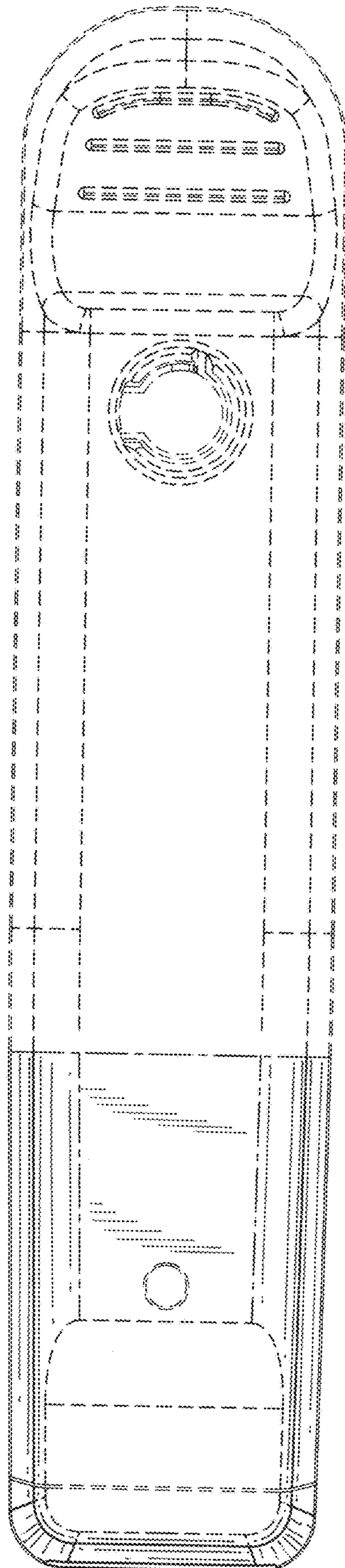


FIG. 6

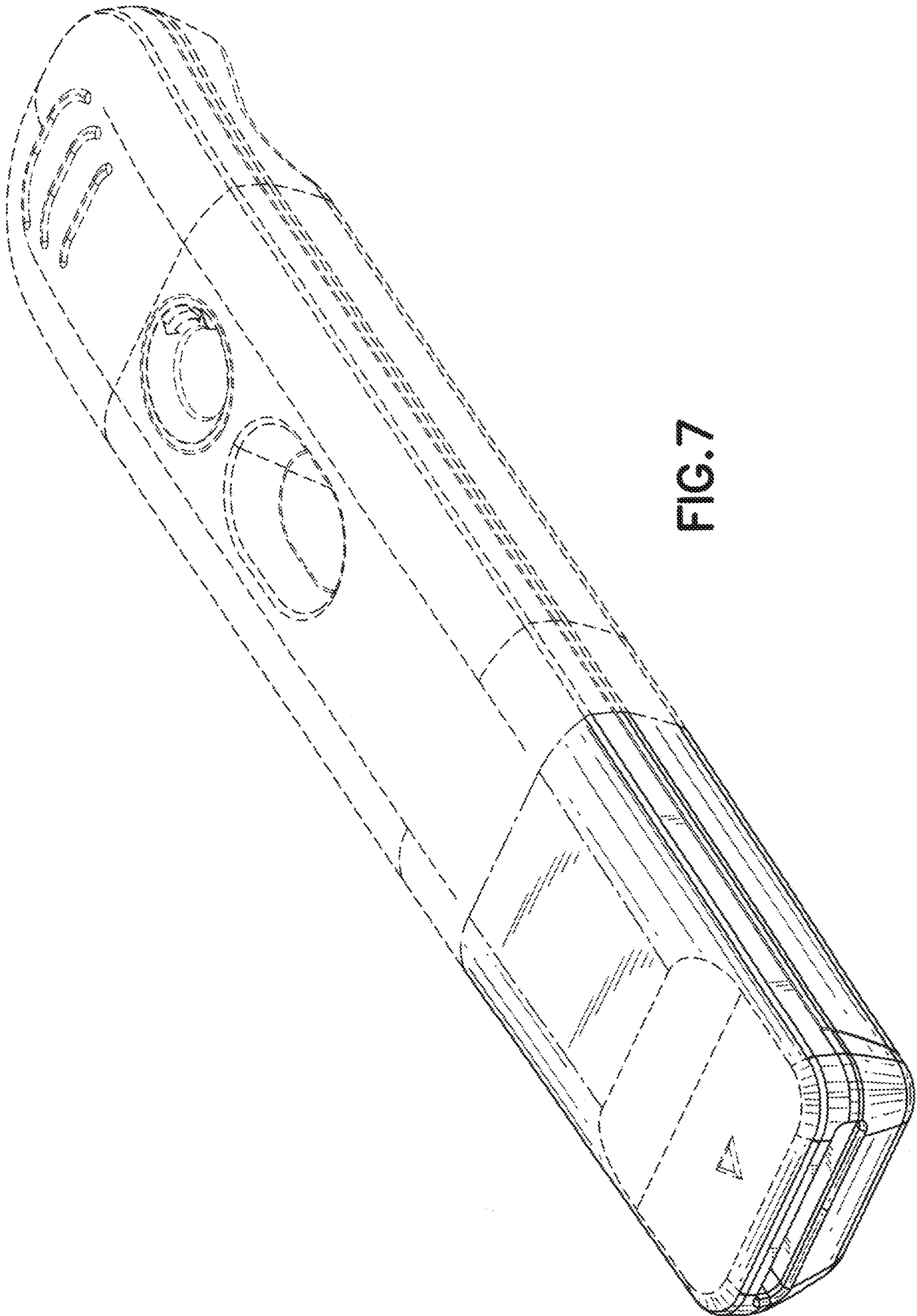


FIG. 7

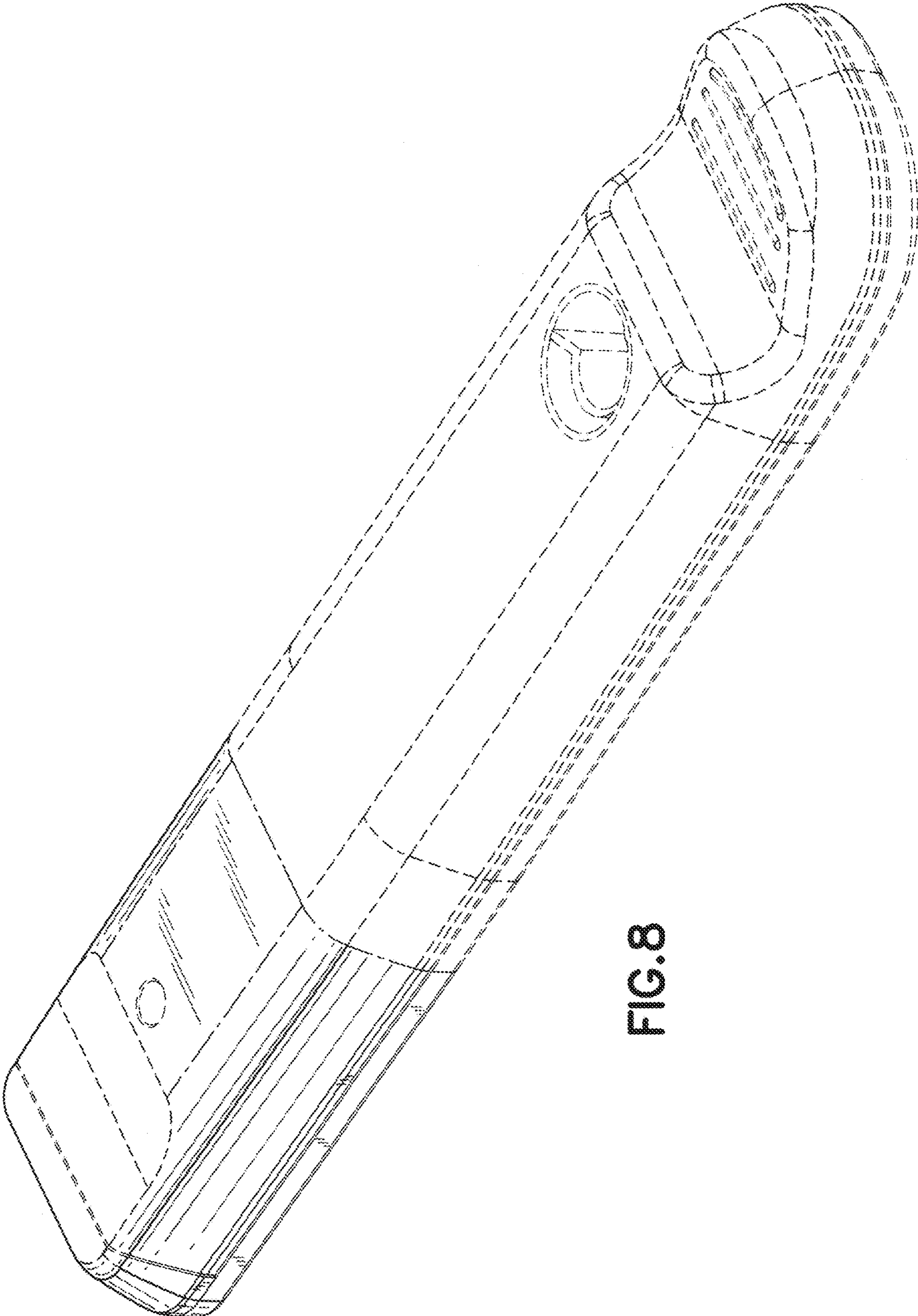


FIG.8