



US00D884915S

(12) **United States Design Patent**
Wersland et al.

(10) **Patent No.:** **US D884,915 S**

(45) **Date of Patent:** **** May 19, 2020**

(54) **PERCUSSIVE MASSAGE DEVICE**

(71) Applicant: **Theragun, LLC**, Beverly Hills, CA (US)

(72) Inventors: **Jason Wersland**, Manhattan Beach, CA (US); **Benjamin Nazarian**, Beverly Hills, CA (US); **Jaime Sanchez Solana**, Los Angeles, CA (US); **Eduardo Merino**, Beverly Hills, CA (US); **Trent Hernandez**, Los Angeles, CA (US)

(73) Assignee: **THERAGUN, INC.**, Beverly Hills, CA (US)

(**) Term: **15 Years**

(21) Appl. No.: **29/708,809**

(22) Filed: **Oct. 9, 2019**

Related U.S. Application Data

(63) Continuation-in-part of application No. 29/674,846, filed on Dec. 26, 2018, now Pat. No. Des. 880,716.

(51) **LOC (12) Cl.** **28-03**

(52) **U.S. Cl.**
USPC **D24/215**

(58) **Field of Classification Search**
USPC 601/15, 18, 19, 27, 28, 29, 30, 31, 32, 601/46, 47, 48, 52, 72, 99, 112, 113, 118, 601/135, 137, DIG. 12, DIG. 14, DIG. 15, 601/DIG. 16, DIG. 17; D24/200, 211, D24/212, 213, 214, 215; D8/14.1; 607/85

CPC .. A61H 23/0254; A61H 1/008; A61H 23/006; A61H 7/007

See application file for complete search history.

(56) **References Cited**

U.S. PATENT DOCUMENTS

1,594,636 A * 8/1926 Smith A61H 23/02
601/DIG. 17

1,784,301 A * 12/1930 Mekler A61H 9/005
601/112

3,968,789 A * 7/1976 Simoncini A46B 13/04
D24/215
4,691,693 A * 9/1987 Sato A61H 7/003
601/15
4,989,613 A * 2/1991 Finkenberg A61B 5/4504
600/552
D329,291 S * 9/1992 Wollman D24/200
D329,292 S * 9/1992 Wollman D24/200
D331,467 S * 12/1992 Wollman D24/200
D388,175 S * 12/1997 Lie D24/215

(Continued)

OTHER PUBLICATIONS

Amazon, "Theragun G3PRO Percussive Therapy Device", Feb. 13, 2019. https://www.amazon.com/dp/B07MJ2MCT3/ref=nav_timeline_asin?_encoding=UTF8&psc=1. Shown on p. 1. (Year: 2019).

Primary Examiner — Cynthia Ramirez

Assistant Examiner — Michael A Maharajh

(74) *Attorney, Agent, or Firm* — Jeffer Mangels Butler & Mitchell LLP; Brennan C. Swain, Esq.

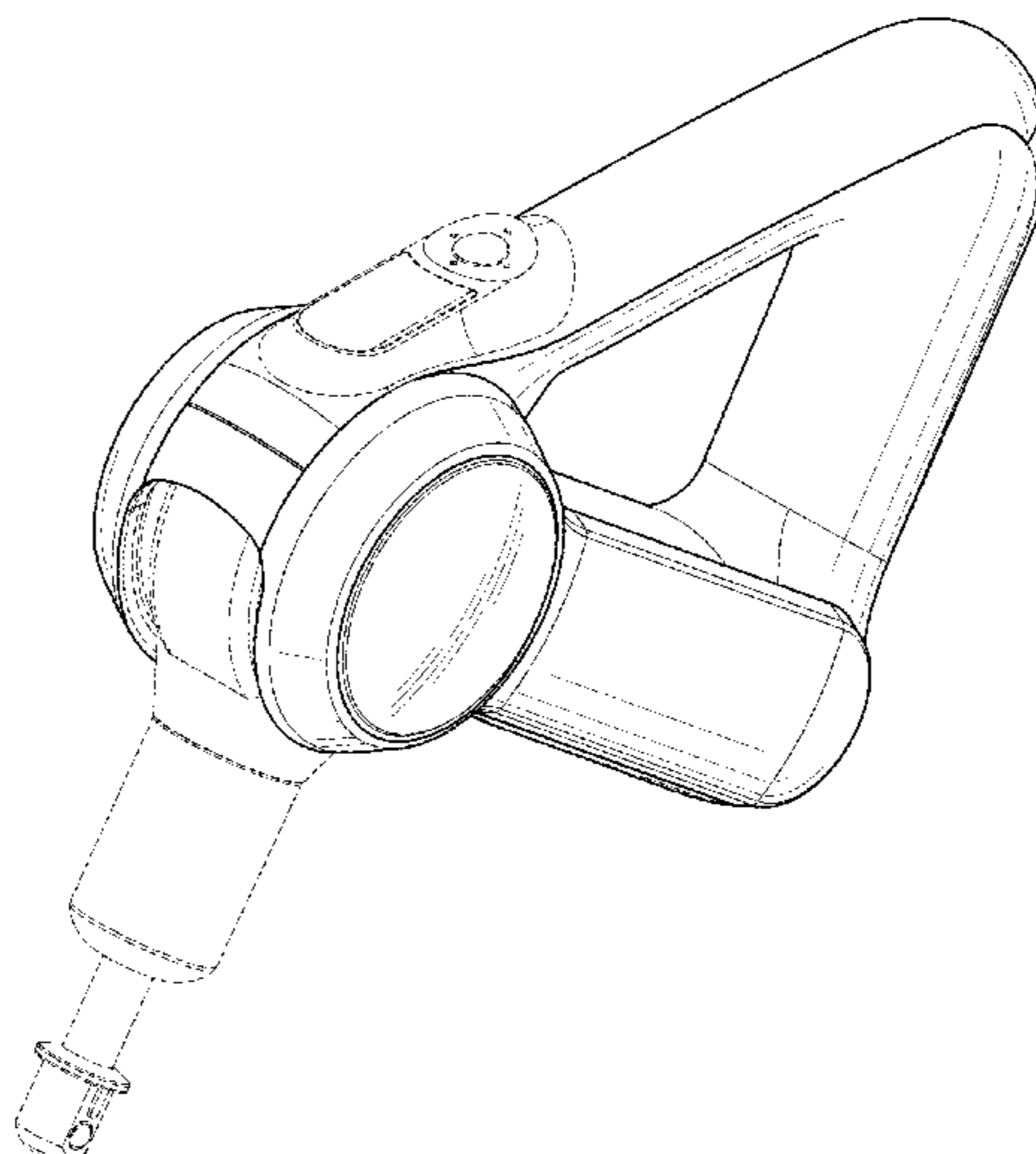
(57) **CLAIM**

The ornamental design for a percussive massage device, as shown and described.

DESCRIPTION

FIG. 1 is a top perspective view of a percussive massage device, showing our new design;
FIG. 2 is a right side elevational view thereof;
FIG. 3 is a left side elevational view thereof;
FIG. 4 is a front elevational view thereof;
FIG. 5 is a rear elevational view thereof;
FIG. 6 is a top plan view thereof;
FIG. 7 is a bottom plan view thereof; and,
FIG. 8 is a bottom perspective view thereof.

1 Claim, 6 Drawing Sheets



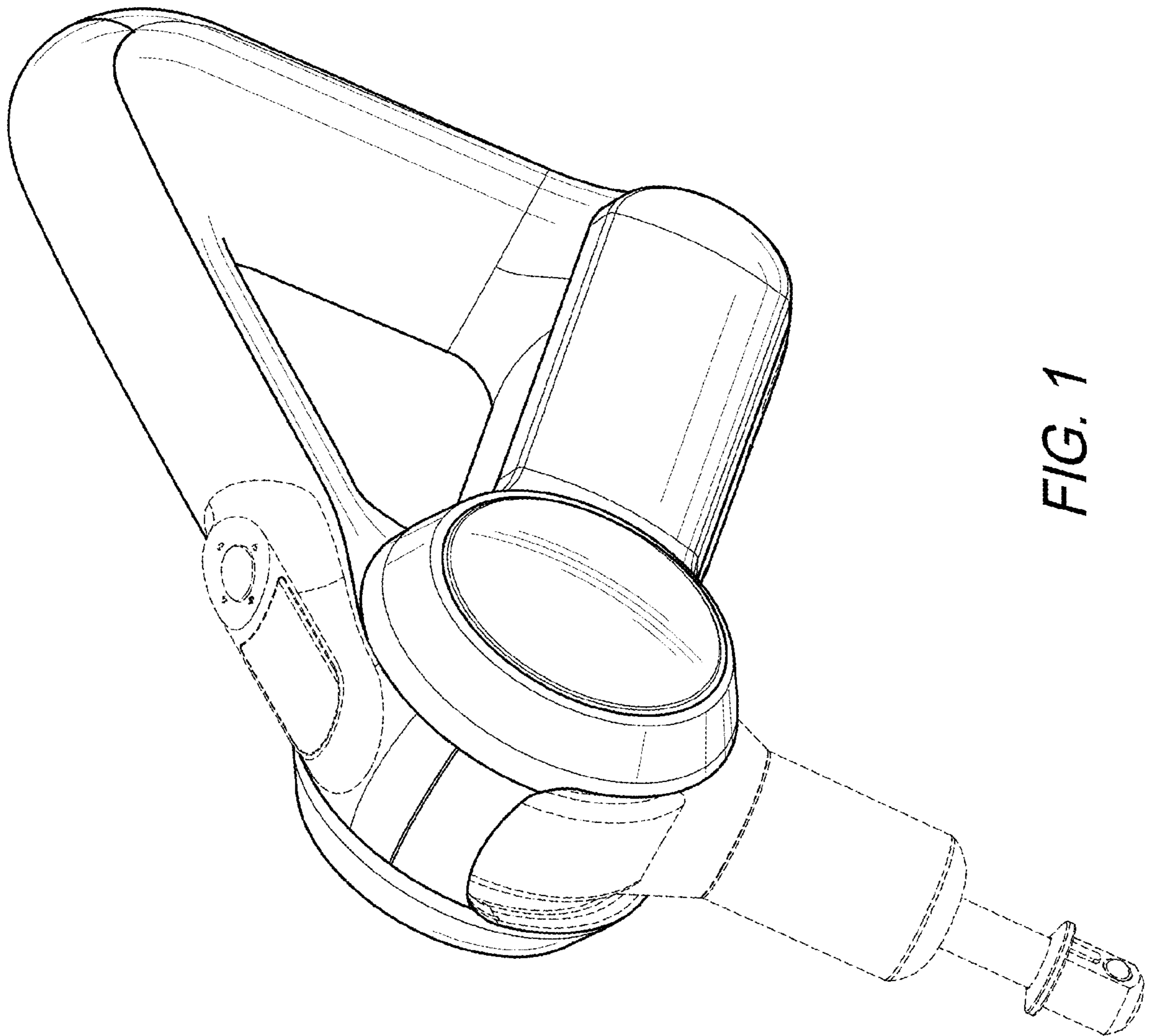
(56)

References Cited

U.S. PATENT DOCUMENTS

5,925,002	A *	7/1999	Wollman	A61H 23/0263 601/46				
D430,938	S *	9/2000	Lee	D24/214				
D448,852	S *	10/2001	Engelen	D24/215				
6,401,289	B1 *	6/2002	Herbert	A61H 7/005 15/97.1				
D476,746	S *	7/2003	Harris	D24/214				
D531,733	S *	11/2006	Burout, III	D24/215				
D553,252	S *	10/2007	Masuda	D24/214				
D606,192	S *	12/2009	Summerer	D24/133				
D649,657	S *	11/2011	Petersen	D24/215				
D658,759	S *	5/2012	Marescaux	D24/133				
8,435,194	B2 *	5/2013	Dverin	A61B 18/14 601/112				
D703,337	S *	4/2014	Fuhr	D24/200				
D706,433	S *	6/2014	Fuhr	D24/200				
D708,742	S *	7/2014	Dallemagne	D24/133				
D734,863	S *	7/2015	Hennessey	D24/214				
D735,348	S *	7/2015	Hennessey	D24/211				
D759,237	S *	6/2016	Heath	D24/133				
D759,238	S *	6/2016	Heath	D24/133				
D763,442	S *	8/2016	Price	D24/133				
D778,439	S *	2/2017	Hakansson	D24/133				
D819,221	S *	5/2018	Lei	D24/200				
D823,478	S *	7/2018	Park	D24/215				
D837,395	S *	1/2019	Gan	D24/214				
D838,378	S *	1/2019	Cao	D24/215				
D840,547	S *	2/2019	Harle	D24/214				
D842,491	S *	3/2019	Fleming	D24/215				
D843,656	S *	3/2019	Zhang	D24/209				
D844,896	S *	4/2019	Levi	D24/209				
D847,362	S *	4/2019	Tang	D24/215				
D847,364	S *	4/2019	Lee	D24/215				
D847,990	S *	5/2019	Kimball	D24/145				
10,314,762	B1 *	6/2019	Marton	A61H 1/008				
10,357,425	B2	7/2019	Wersland						
D855,822	S *	8/2019	Marton	D24/215				
2002/0177795	A1	11/2002	Frye						
2002/0188233	A1	12/2002	Denyes						
2003/0195443	A1	10/2003	Miller						
2005/0131461	A1	6/2005	Tucek						
2006/0116614	A1	6/2006	Jones						
2006/0211961	A1	9/2006	Meyer						
2010/0145242	A1	6/2010	Tsai						
2010/0160841	A1	6/2010	Wu						
2010/0274162	A1	10/2010	Evans						
2012/0197357	A1	8/2012	Dewey						
2013/0030506	A1	1/2013	Bartolone						
2014/0221887	A1	8/2014	Wu						
2015/0119771	A1	4/2015	Roberts						
2018/0154141	A1	6/2018	Ahn						
2018/0200141	A1	7/2018	Wersland						
2019/0175434	A1	6/2019	Zhang						
2019/0254921	A1	8/2019	Marton						
2019/0254922	A1	8/2019	Marton						

* cited by examiner



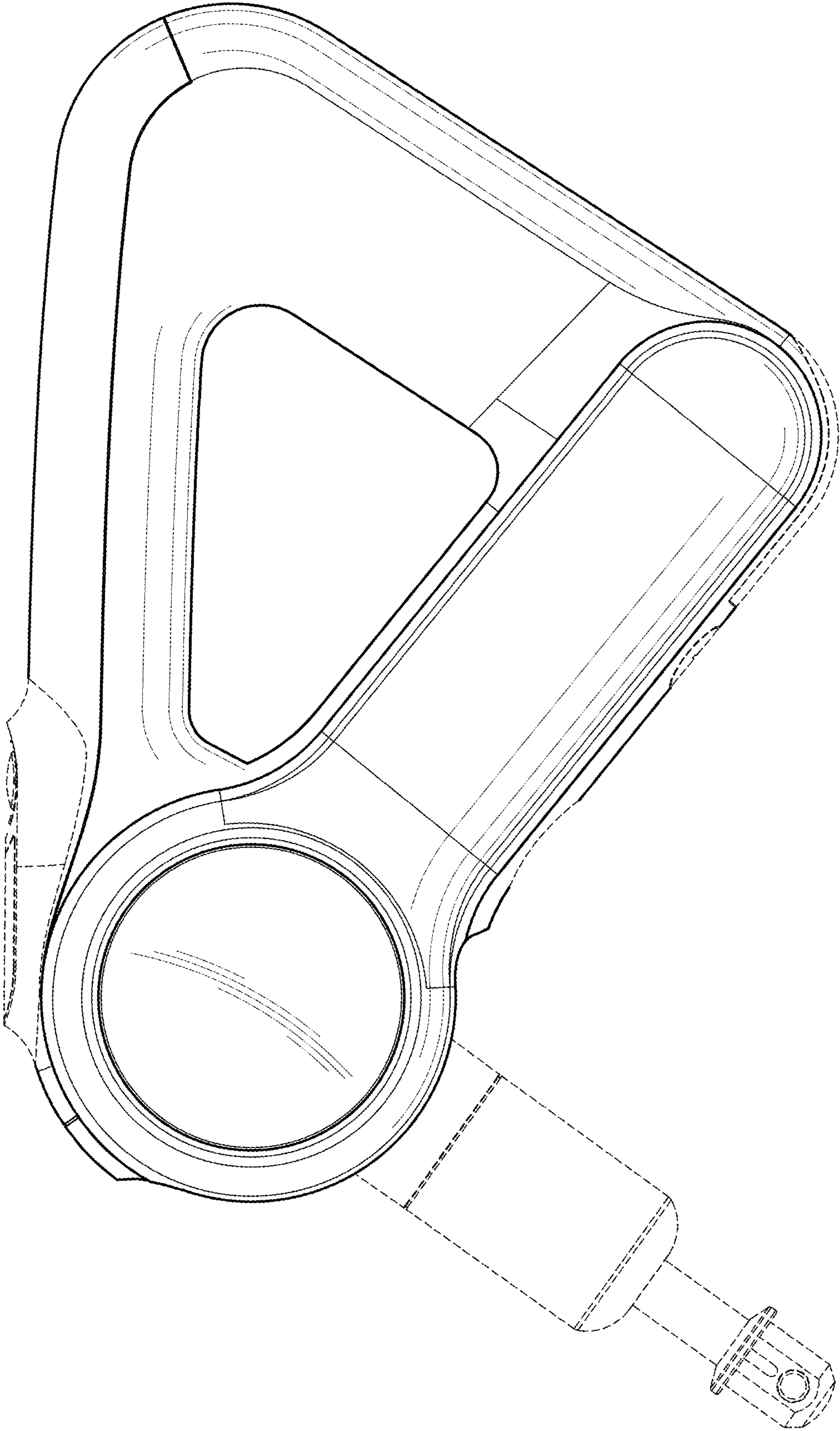


FIG. 2

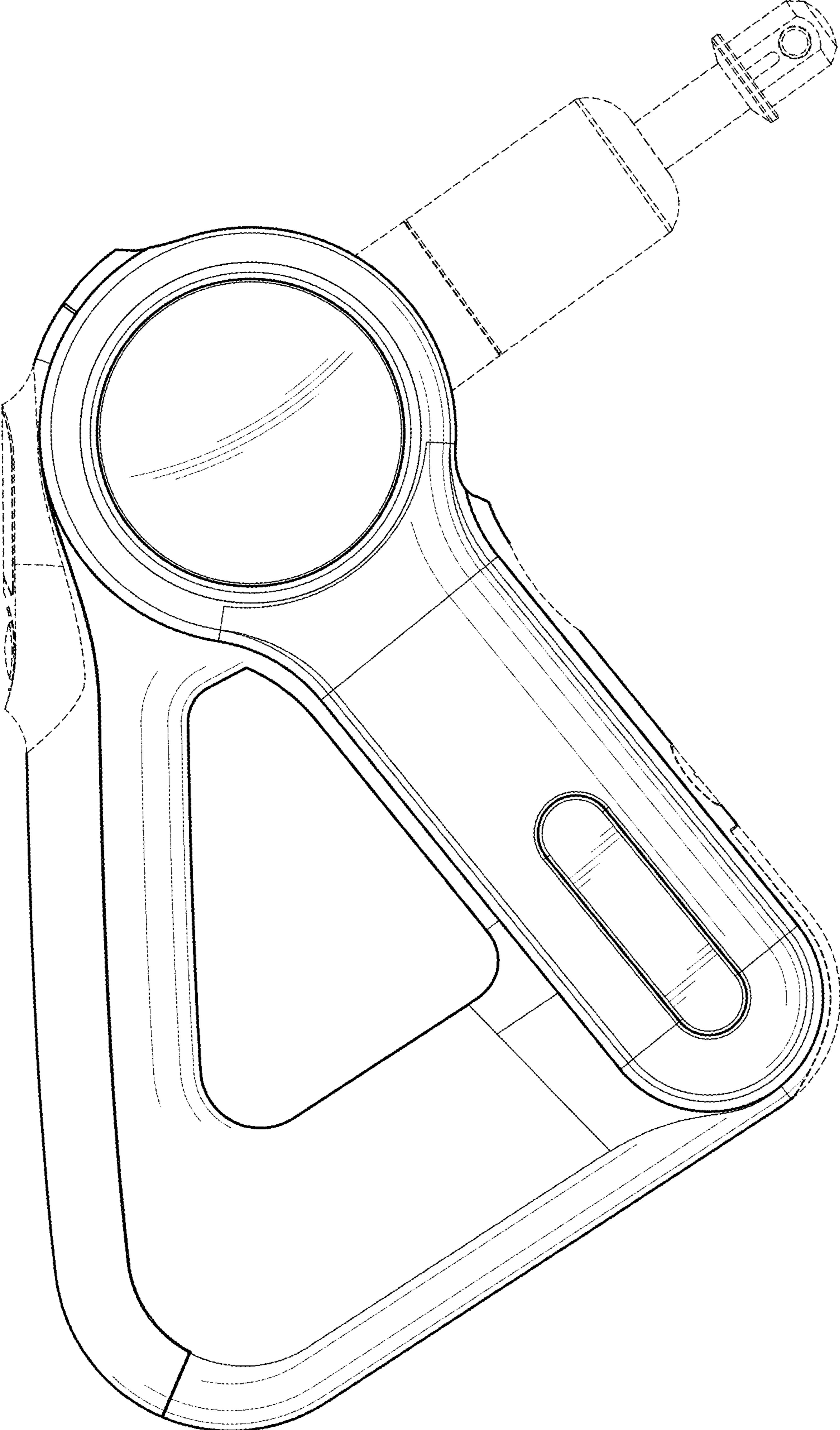


FIG. 3

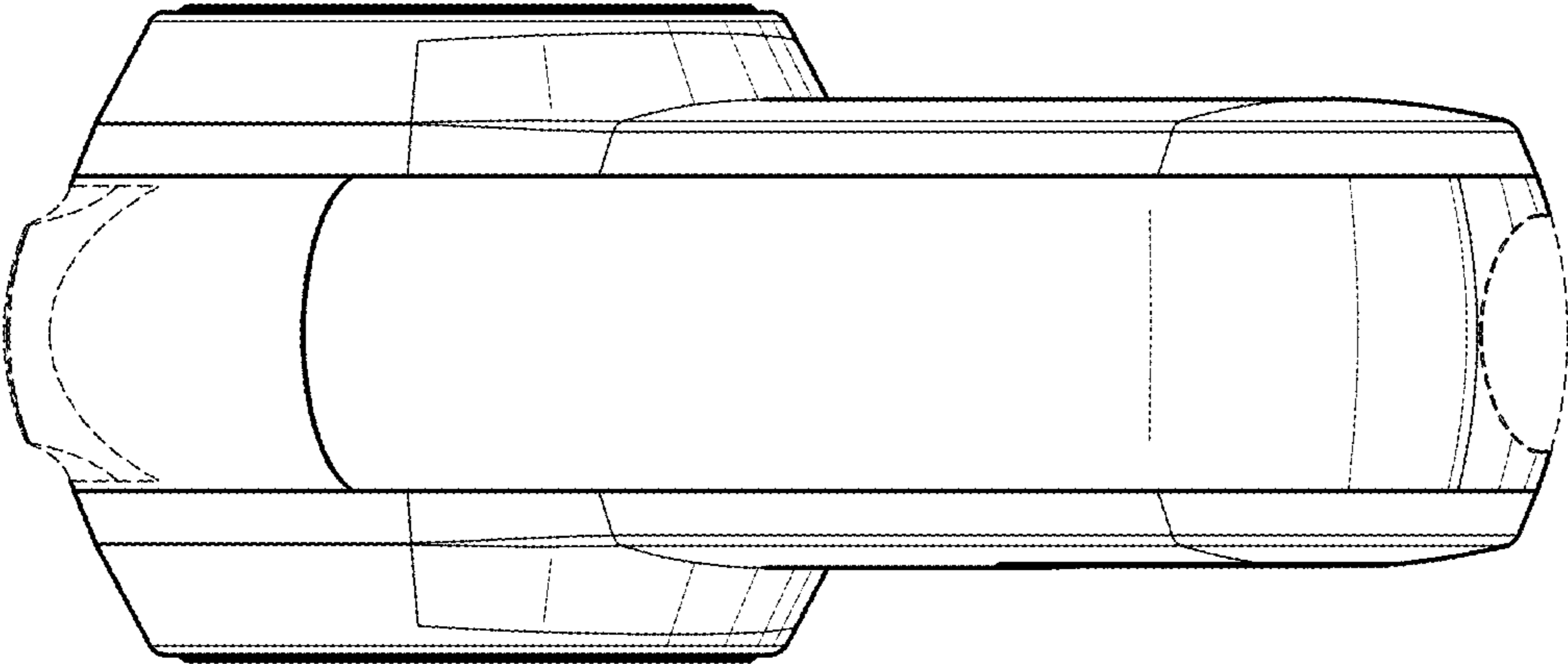


FIG. 5

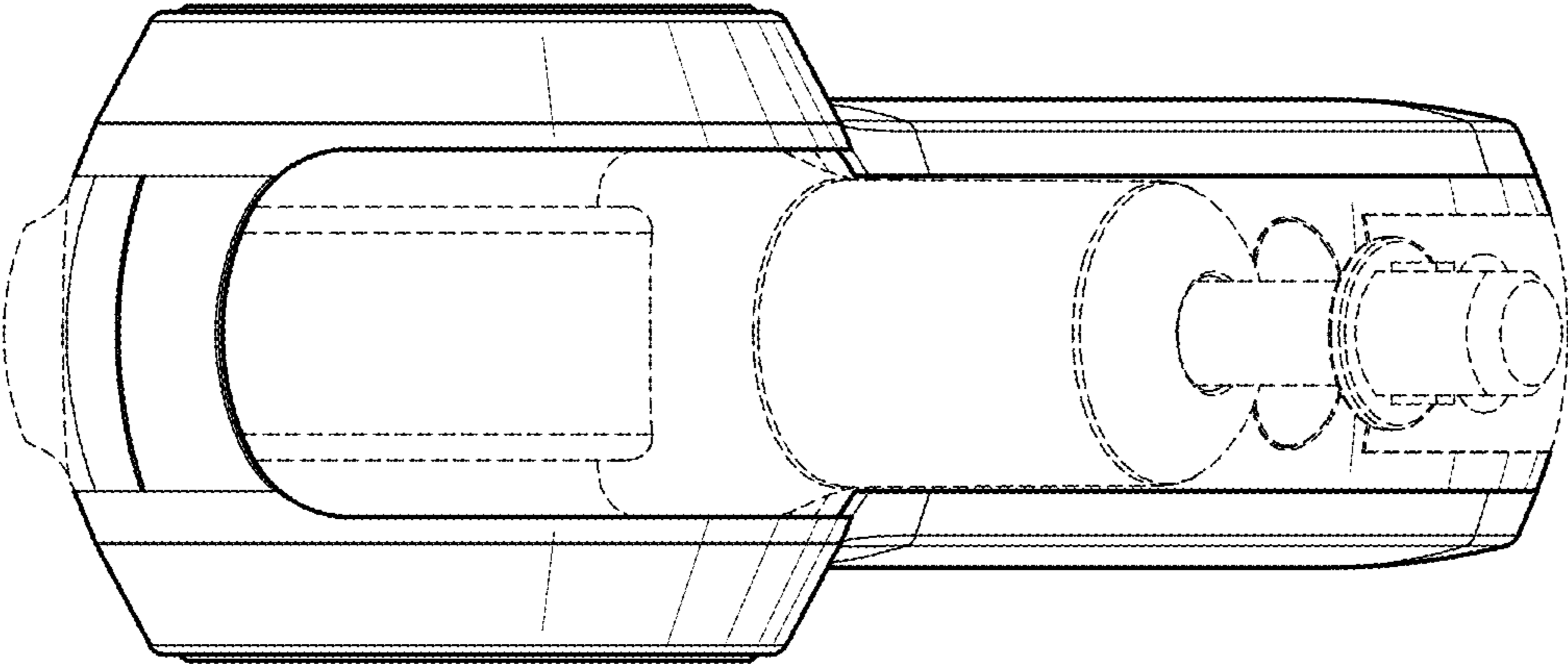


FIG. 4

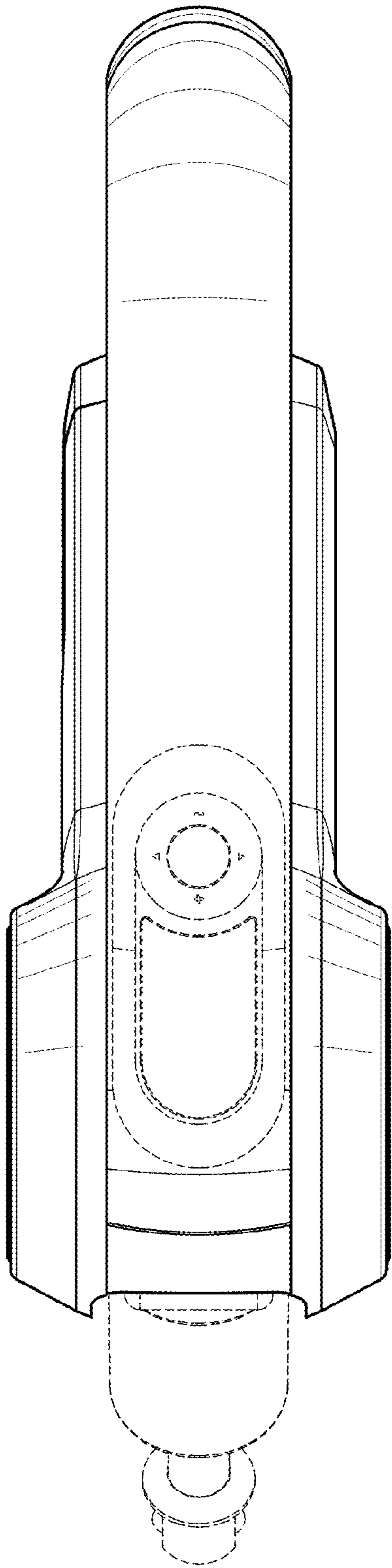


FIG. 6

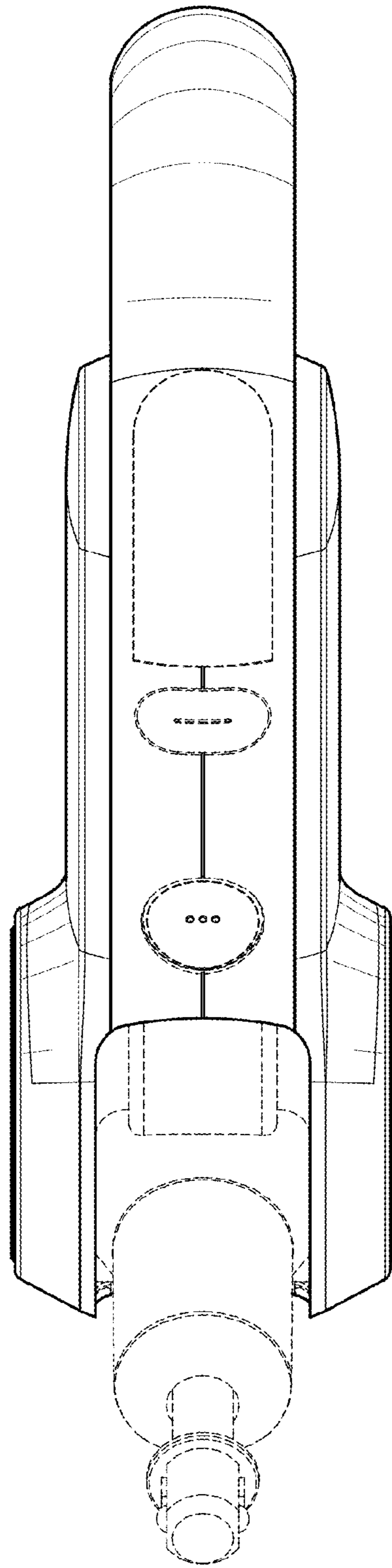


FIG. 7

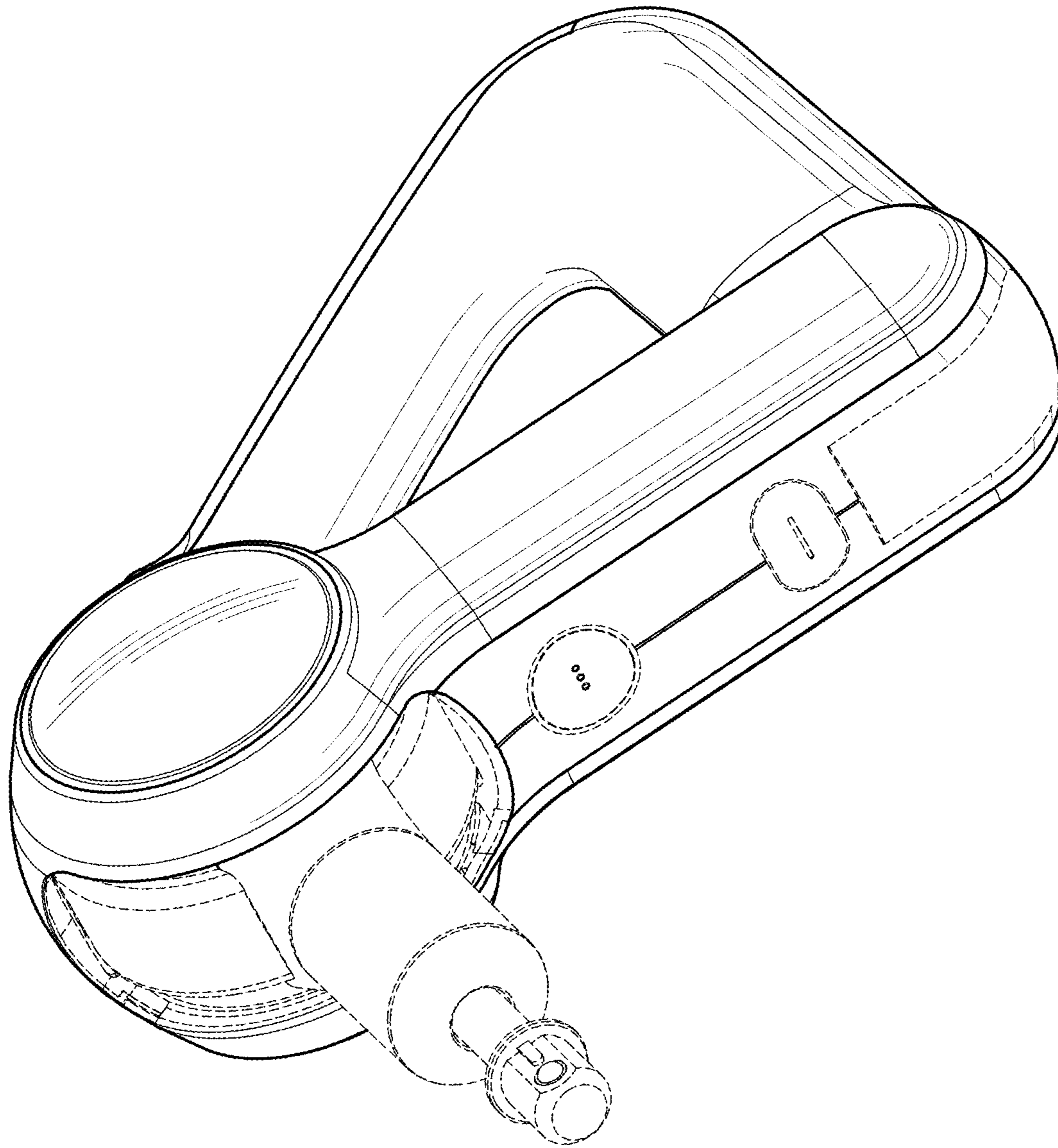


FIG. 8