



US00D884913S

(12) **United States Design Patent**  
**Peng**

(10) **Patent No.:** **US D884,913 S**

(45) **Date of Patent:** **\*\* May 19, 2020**

(54) **EYE MASSAGER**

(71) Applicant: **SHENZHEN BREO TECHNOLOGY CO., LTD.**, Shenzhen, Guangdong (CN)

(72) Inventor: **Shangke Peng**, Guangdong (CN)

(73) Assignee: **SHENZHEN BREO TECHNOLOGY CO., LTD.**, Shenzhen (CN)

(\*\*) Term: **15 Years**

(21) Appl. No.: **29/674,888**

(22) Filed: **Dec. 27, 2018**

(30) **Foreign Application Priority Data**

Jun. 28, 2018 (CN) ..... 2018 3 0339410

(51) **LOC (12) Cl.** ..... **28-03**

(52) **U.S. Cl.**  
USPC ..... **D24/215**

(58) **Field of Classification Search**

USPC ..... 2/426, 442, 447; 351/41, 45, 62;  
601/125, 134, 135, 136, 137; D16/310,  
D16/312, 320, 324; D24/200, 214, 215;  
D29/102, 105, 106, 108, 110

CPC .... A63B 33/002; A41D 13/1184; A61H 5/00;  
A61H 2201/10; A61H 2205/024

See application file for complete search history.

(56) **References Cited**

**U.S. PATENT DOCUMENTS**

4,290,673 A \* 9/1981 Yamamoto ..... G02C 11/08  
351/62  
5,000,558 A \* 3/1991 Blackstone ..... G02C 5/00  
351/41  
D321,357 S \* 11/1991 Karp ..... D16/312  
5,502,515 A \* 3/1996 Sansalone ..... B63C 11/12  
2/248

5,581,822 A \* 12/1996 Tagyo ..... A63B 33/002  
2/452  
D390,863 S \* 2/1998 Bennell ..... D16/312  
5,719,655 A \* 2/1998 Peschel ..... G02C 3/00  
351/41

(Continued)

**OTHER PUBLICATIONS**

Amazon, "Breo iSee 3S Electric Eye Massager", Nov. 3, 2018.  
[https://www.amazon.com/Breo-Electric-Massager-Vibration-Pressure/dp/B07H94SMCQ/ref=cm\\_cr\\_ar\\_p\\_d\\_product\\_top?ie=UTF8](https://www.amazon.com/Breo-Electric-Massager-Vibration-Pressure/dp/B07H94SMCQ/ref=cm_cr_ar_p_d_product_top?ie=UTF8). Shown on p. 1. (Year: 2018).\*

*Primary Examiner* — Cynthia Ramirez

*Assistant Examiner* — Michael A Maharajh

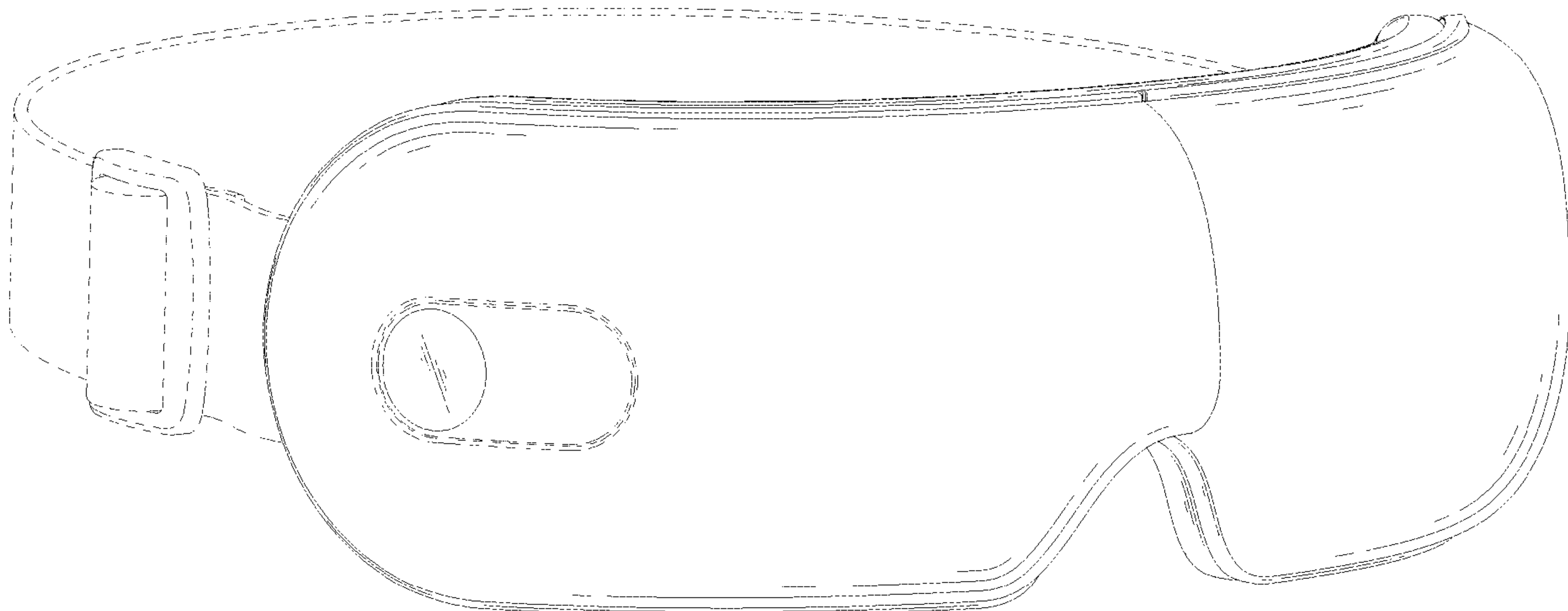
(57) **CLAIM**

The ornamental design for an eye massager, as shown and described.

**DESCRIPTION**

FIG. 1 is a top, front and left side perspective view of an eye massager showing my new design;  
FIG. 2 is a top, rear and right side perspective view thereof;  
FIG. 3 is a top, rear and left side perspective view thereof;  
FIG. 4 is a front elevational view thereof;  
FIG. 5 is a rear elevational view thereof;  
FIG. 6 is a left side view thereof;  
FIG. 7 is a right side view thereof;  
FIG. 8 is a top plan view thereof;  
FIG. 9 is a bottom plan view thereof;  
FIG. 10 is a rear elevational view thereof showing the eye massager without a belt;  
FIG. 11 is a top elevational view thereof showing the eye massager without a belt in a folded state; and,  
FIG. 12 is a top, front and left side perspective view thereof showing the eye massager without a belt in a folded state. The broken lines in the drawings illustrate portions of the eye massager which form no part of the claimed design.

**1 Claim, 12 Drawing Sheets**



(56)

References Cited

U.S. PATENT DOCUMENTS

5,805,258	A *	9/1998	Wiedner	.....	A61F 9/025	351/41
5,949,514	A *	9/1999	Wargon	.....	G02C 11/00	351/41
D419,166	S *	1/2000	Wiedner	.....	D16/101	
D428,039	S *	7/2000	Thixton	.....	D16/312	
6,138,286	A *	10/2000	Robrahn	.....	A61F 9/022	2/426
6,808,260	B2 *	10/2004	Yang	.....	G02C 7/16	351/45
D544,013	S *	6/2007	Curci	.....	D16/312	
8,061,836	B2 *	11/2011	Tabacchi	.....	A61F 9/02	264/1.1
D653,695	S *	2/2012	Tobia	.....	D16/312	
D678,932	S *	3/2013	Moritz	.....	D16/312	
D711,961	S *	8/2014	Arnette	.....	D16/312	
D717,851	S *	11/2014	Arnette	.....	D16/312	
D725,175	S *	3/2015	Wang-Lee	.....	D16/312	
D730,430	S *	5/2015	Tanguy	.....	D16/312	
D739,543	S *	9/2015	Ma	.....	D24/215	
D755,279	S *	5/2016	Valenti	.....	D16/312	
D767,012	S *	9/2016	Szal	.....	D16/312	
D784,441	S *	4/2017	Garfias	.....	D16/312	
D837,870	S *	1/2019	Warnock	.....	D16/312	
D841,179	S *	2/2019	Ma	.....	D24/215	
D863,414	S *	10/2019	Schwabe	.....	D16/312	
D868,878	S *	12/2019	Langenwaller	.....	D16/312	
2003/0056281	A1 *	3/2003	Hasegawa	.....	A61F 7/02	2/428
2006/0218705	A1 *	10/2006	Chiang	.....	A61F 9/026	2/448
2008/0301857	A1 *	12/2008	Wang-Lee	.....	A61F 9/025	2/426
2008/0301858	A1 *	12/2008	Wang-Lee	.....	A61F 9/025	2/426
2009/0260136	A1 *	10/2009	Chen	.....	A61F 9/027	2/426
2009/0303430	A1 *	12/2009	Gregory	.....	A61F 9/028	351/62
2009/0313746	A1 *	12/2009	Wang	.....	A61F 9/025	2/426
2010/0313339	A1 *	12/2010	Chou	.....	A63B 33/002	2/426
2013/0067626	A1 *	3/2013	Sandor	.....	A42B 3/185	2/10
2014/0033408	A1 *	2/2014	Currens	.....	A61F 9/025	2/426
2015/0272783	A1 *	10/2015	Padovani	.....	A61F 9/02	2/447
2017/0368415	A1 *	12/2017	Pierce	.....	A63B 33/002	
2019/0374385	A1 *	12/2019	Chen	.....	A63B 33/002	

\* cited by examiner

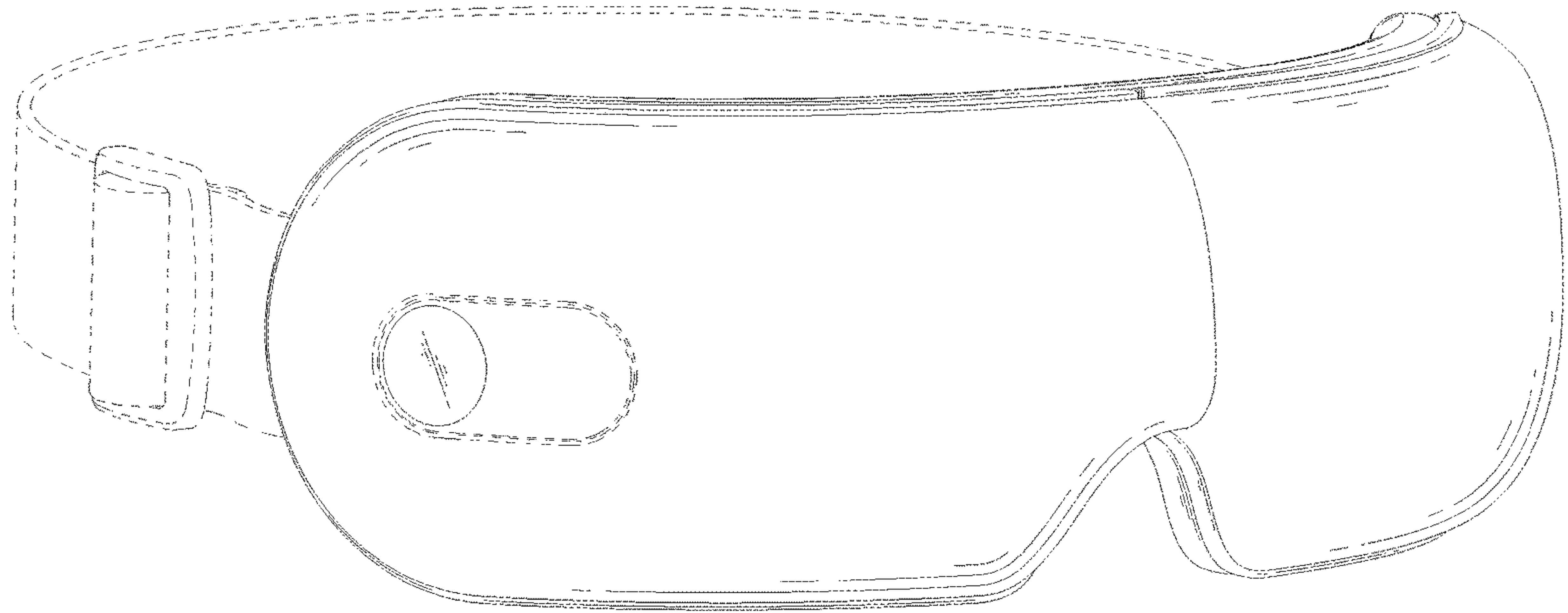


FIG. 1

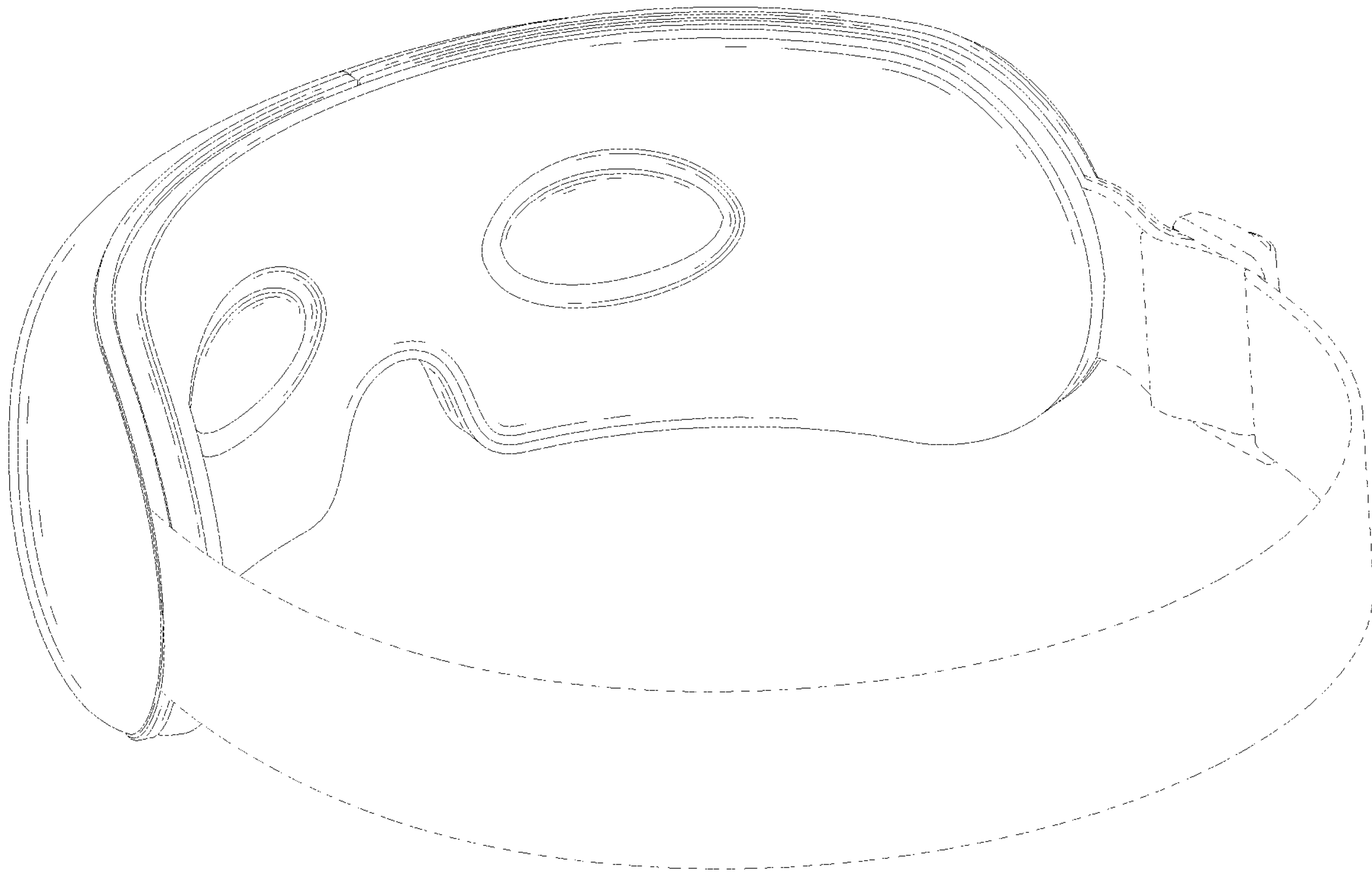


FIG. 2

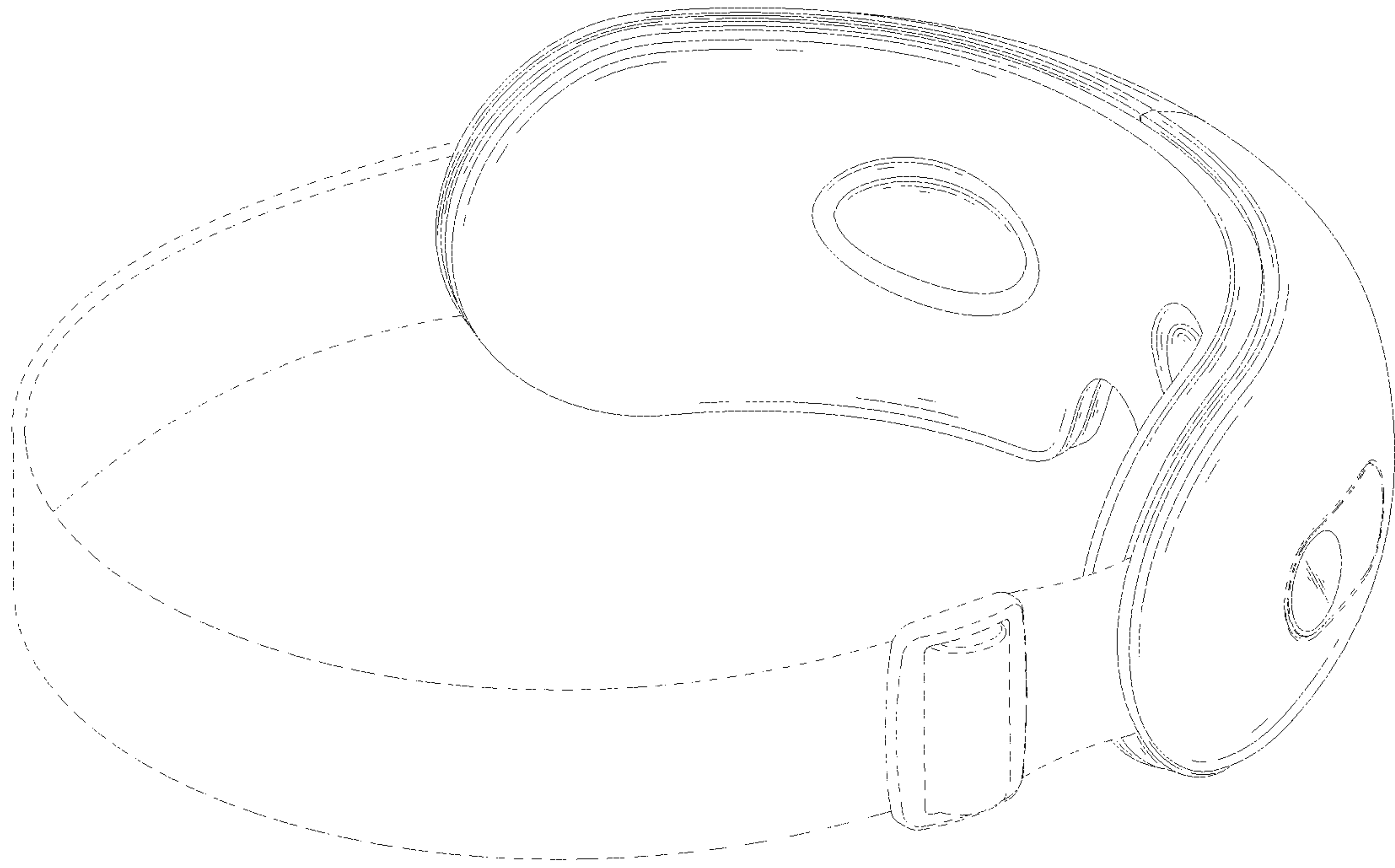


FIG. 3



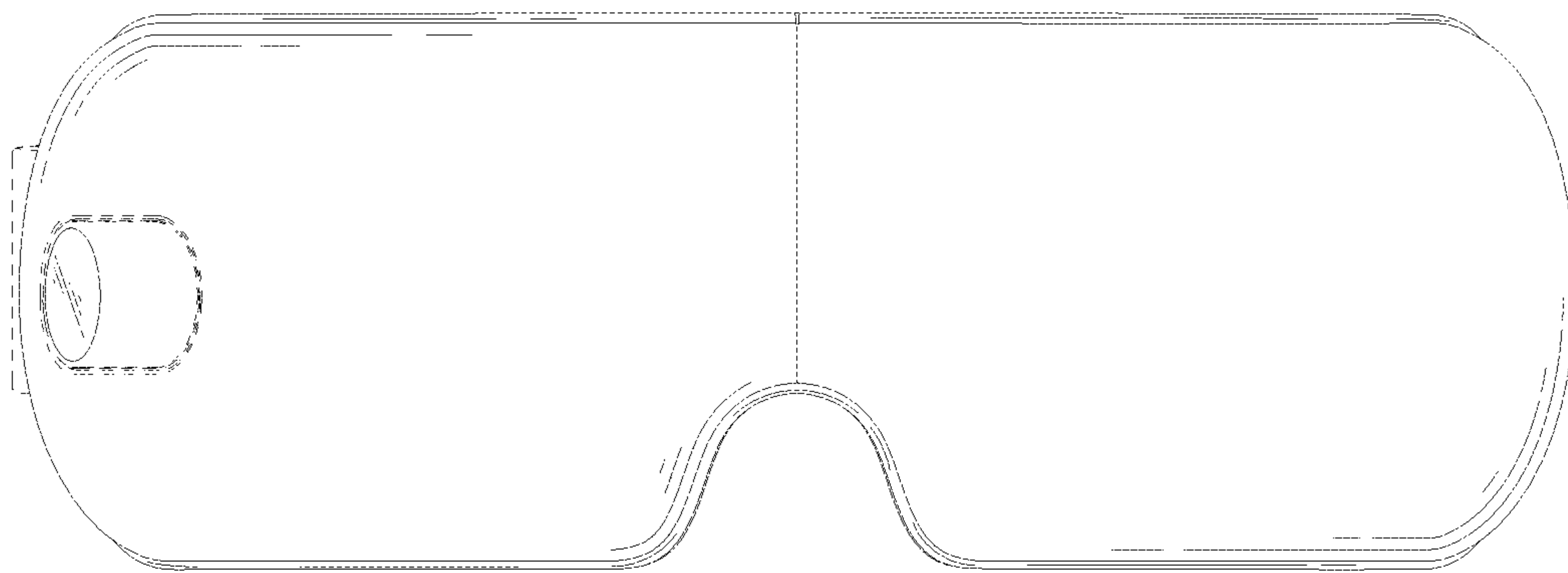


FIG. 4

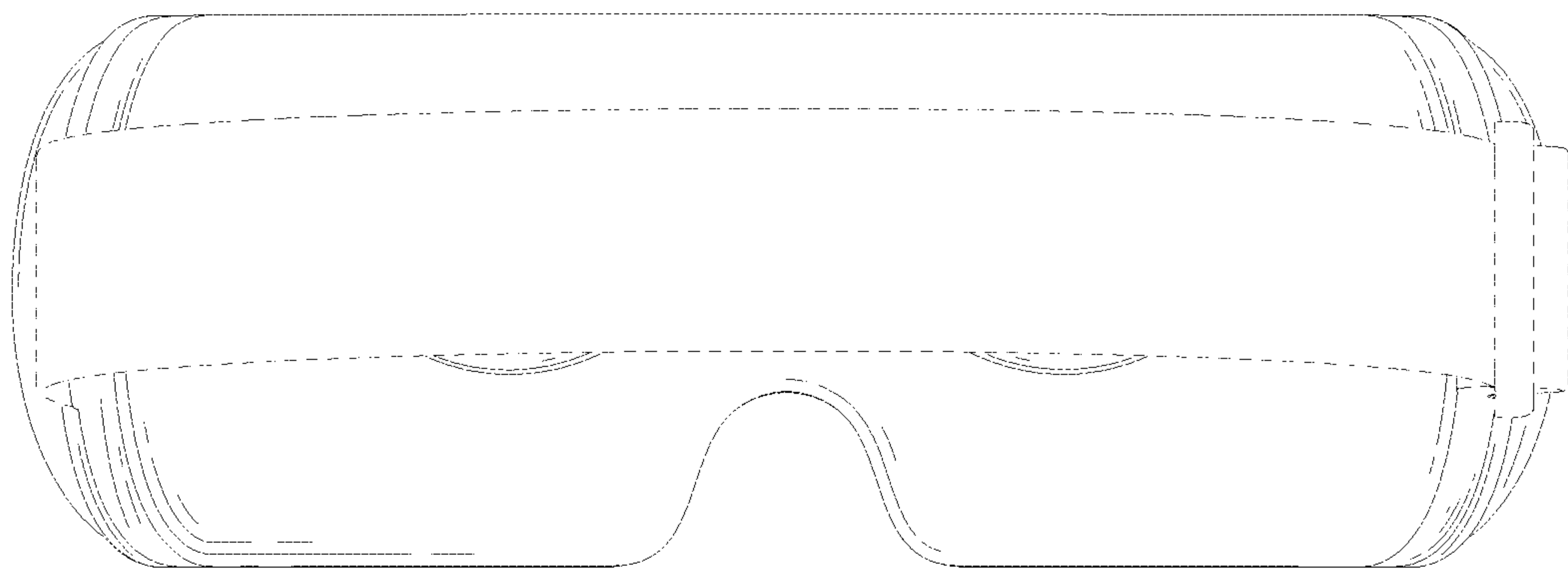


FIG. 5

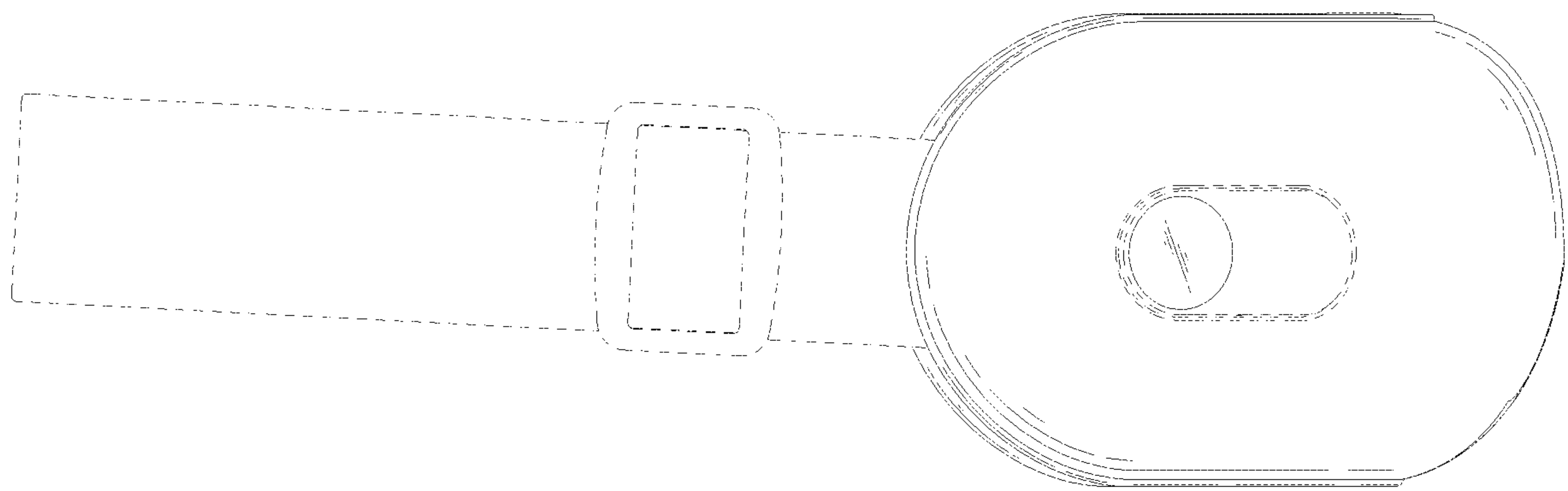


FIG. 6



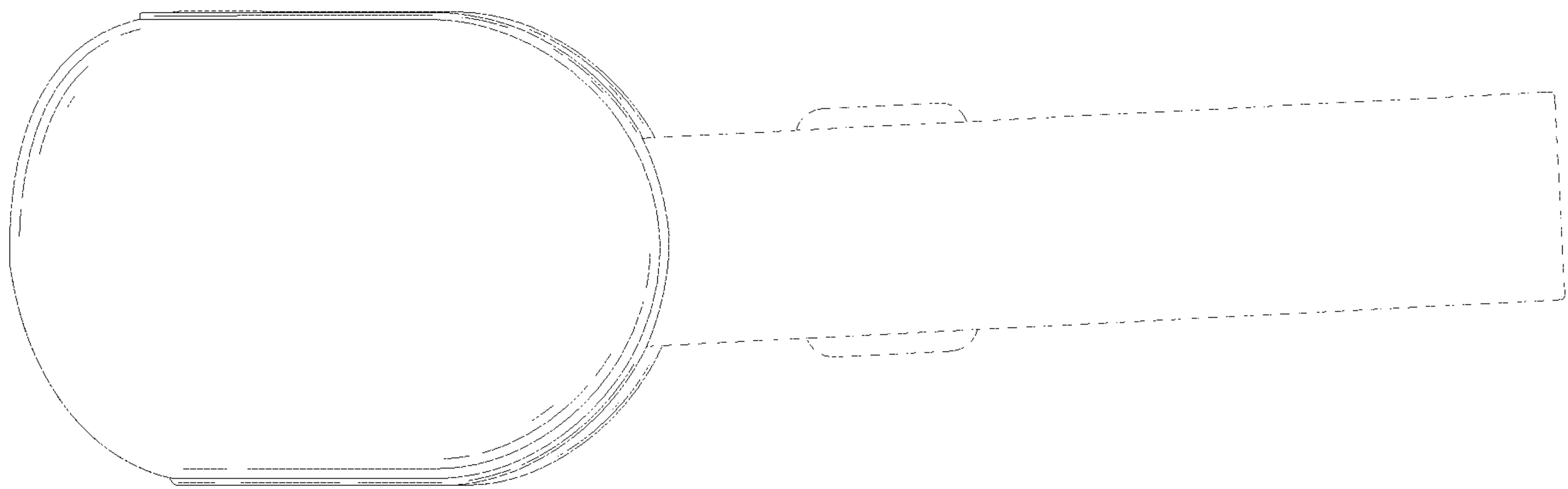


FIG. 7

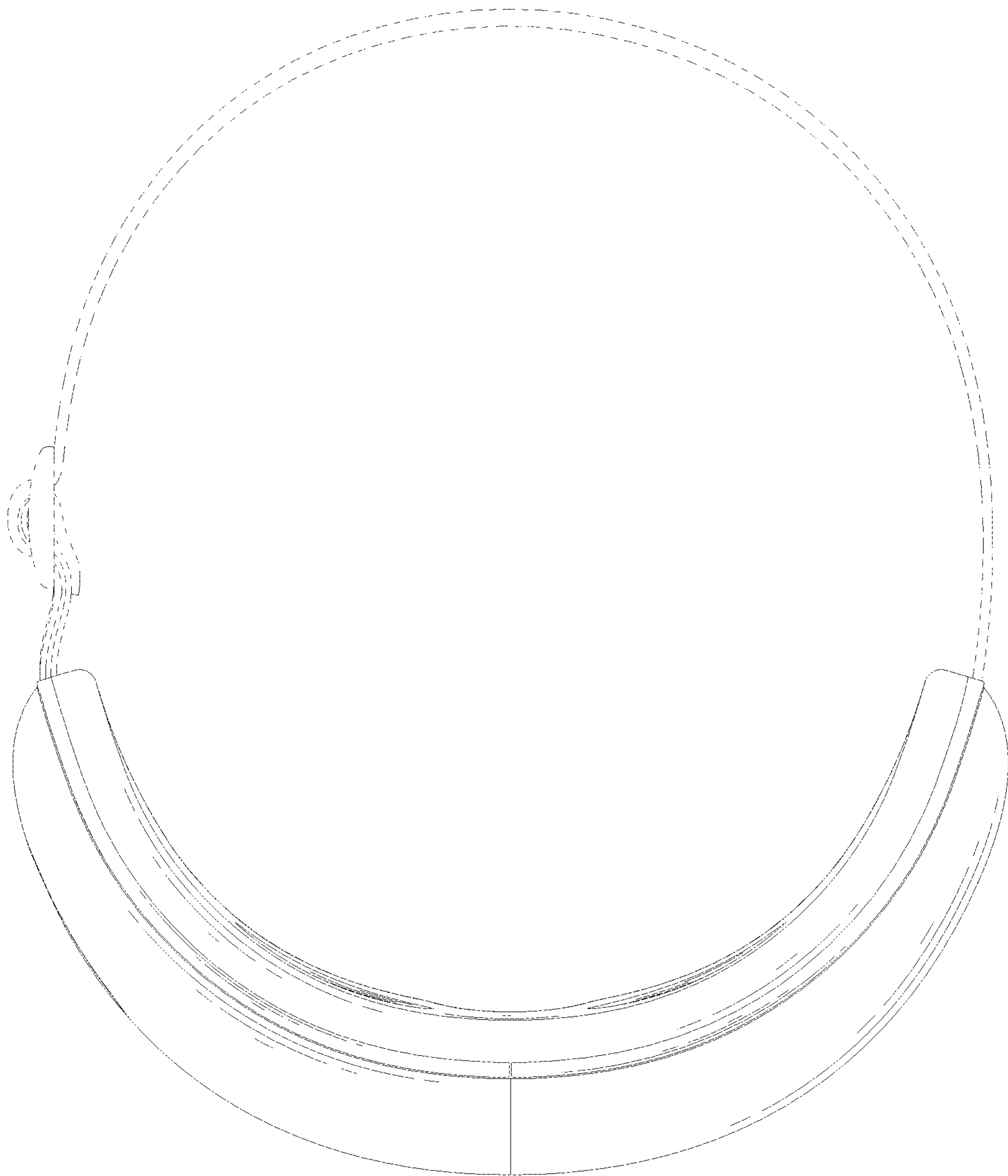


FIG. 8

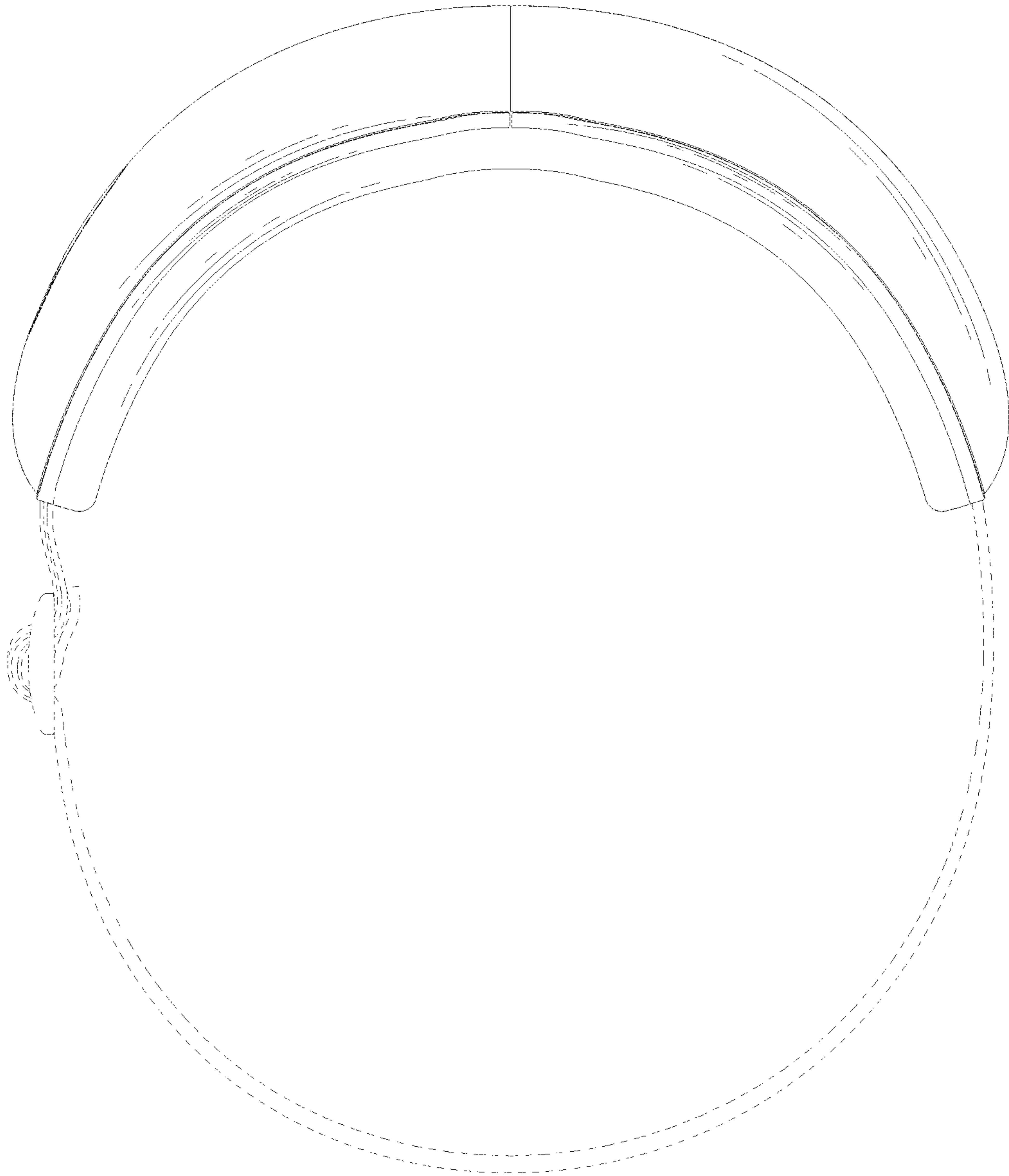


FIG. 9

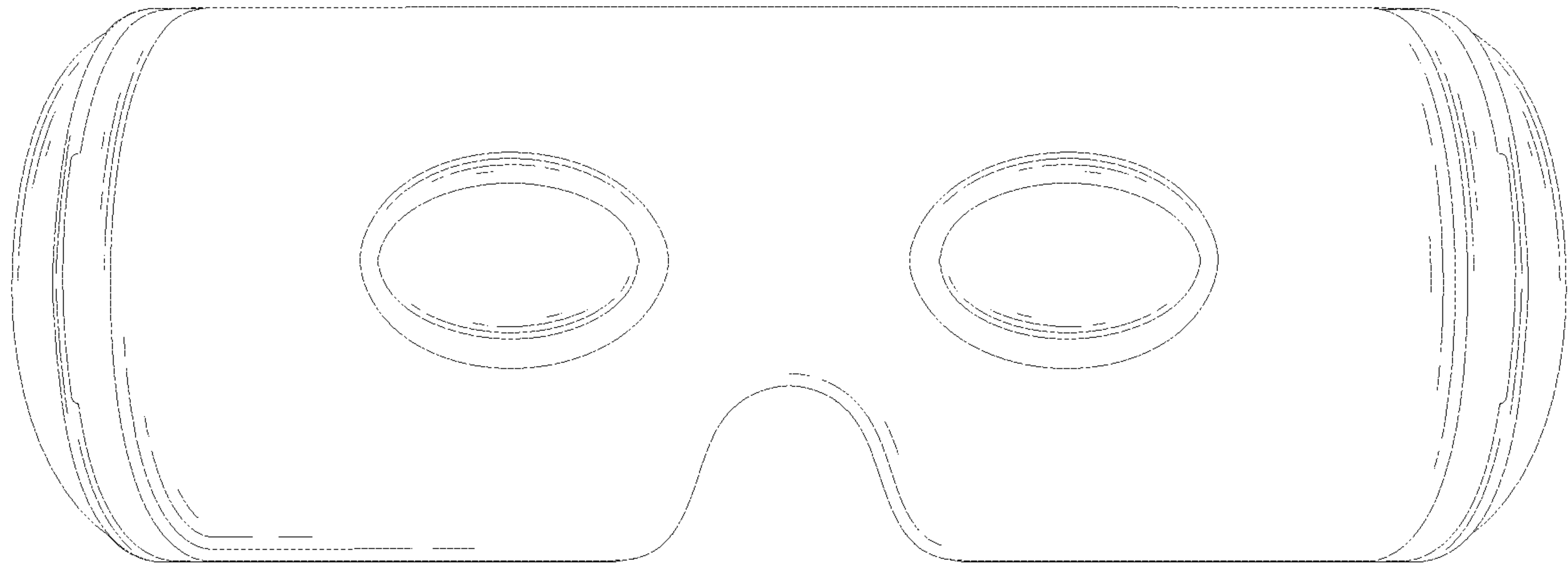


FIG. 10

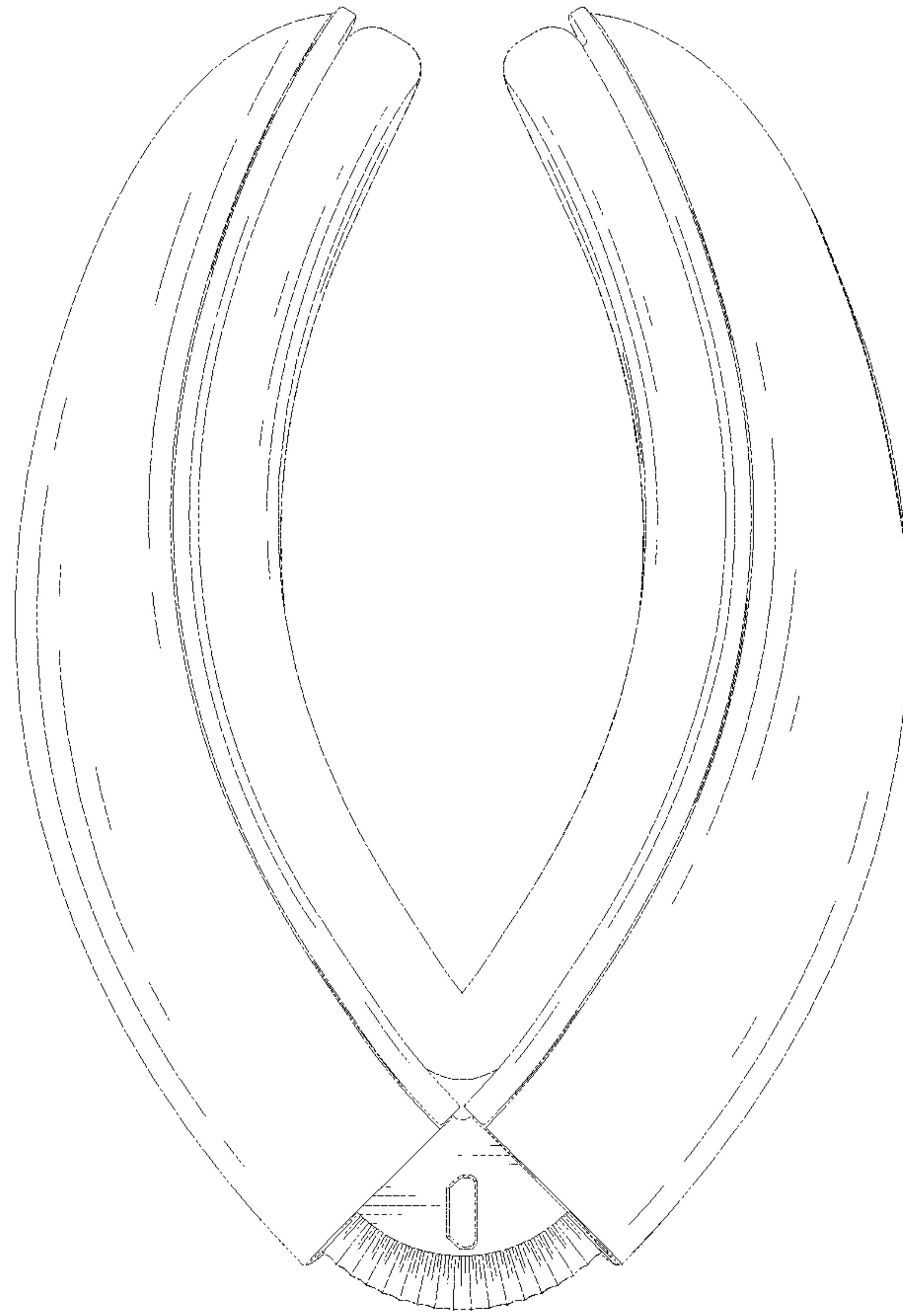


FIG. 11

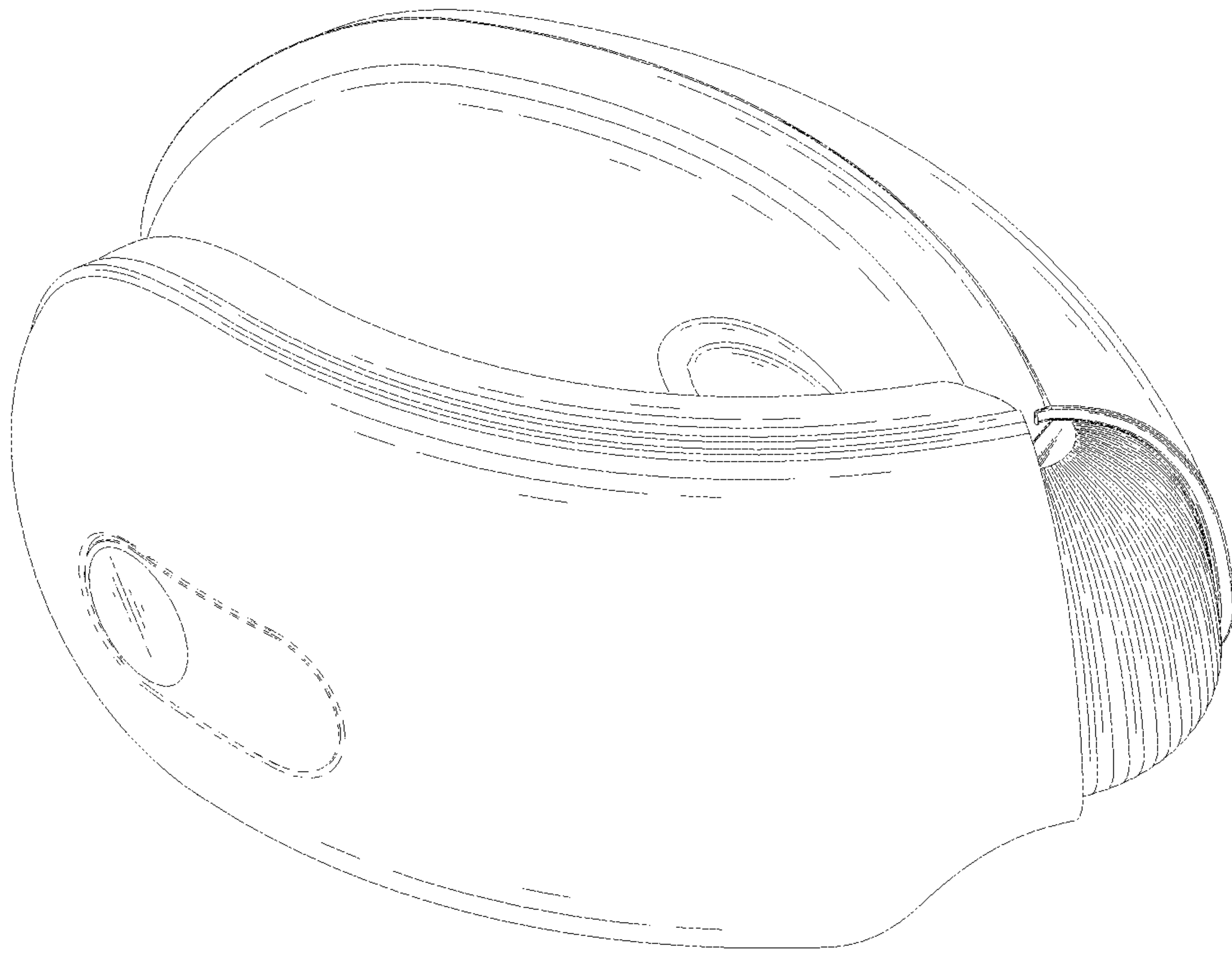


FIG. 12