



US00D884905S

(12) **United States Design Patent**
Menut et al.

(10) **Patent No.:** **US D884,905 S**

(45) **Date of Patent:** **** May 19, 2020**

(54) **SURGICAL C-SECTION DRAPE WITH TUNNEL**

(71) Applicant: **Medline Industries, Inc.**, Northfield, IL (US)

(72) Inventors: **Matthieu Menut**, Nantes (FR);
Cvetanka Gjurovska, Arnhem (NL);
Sabrina Nael-Pitre, Saint Julien de Vouvantes (FR)

(73) Assignee: **Medline Industries, Inc.**, Northfield, IL (US)

(**) Term: **15 Years**

(21) Appl. No.: **29/634,146**

(22) Filed: **Jan. 18, 2018**

(51) **LOC (12) Cl.** **24-04**

(52) **U.S. Cl.**
USPC **D24/189**

(58) **Field of Classification Search**
USPC D24/171, 188–190, 199, 200, 206,
D24/212–214, 108, 109, 118, 202;
D29/100

(Continued)

(56) **References Cited**

U.S. PATENT DOCUMENTS

3,667,458 A 6/1972 Krebs
3,698,395 A 10/1972 Hasson

(Continued)

FOREIGN PATENT DOCUMENTS

CN 201602902 U 10/2010
CN 101496742 A 3/2011

(Continued)

OTHER PUBLICATIONS

Medline. Cesarean Section Surgical Drape with Pouch and Fenestration. No date specified. <https://www.medline.com/product/Cesarean-Section-Surgical-Drape-with-Pouch-and-Fenestration/Z05-PF07160> (Year: 0).*

Primary Examiner — George D. Kirschbaum

Assistant Examiner — Darcey E Gottschalk

(74) *Attorney, Agent, or Firm* — Fitch, Even, Tabin & Flannery LLP

(57) **CLAIM**

The ornamental design for a surgical C-section drape with tunnel, as shown and described.

DESCRIPTION

FIG. 1 is a front perspective view of our new design of a surgical C-section drape with tunnel having a front flap and a rear flap, with FIG. 1 showing the front flap in a folded configuration and the tunnel in an unexpanded configuration;

FIG. 2 is a front elevation view thereof;

FIG. 3 is a top plan view thereof;

FIG. 4 is a bottom plan view thereof;

FIG. 5 is a left side elevation view, the right side elevation view being a mirror image thereof;

FIG. 6 is a rear elevation view thereof;

FIG. 7 is a front perspective view of the surgical C-section drape showing the flap in a folded position and the tunnel in an expanded configuration as it would appear in use;

FIG. 8 is a rear perspective view of the surgical C-section drape showing the flap in a folded position and the tunnel in an expanded configuration as it would appear in use;

FIG. 9 is a front perspective view of the surgical C-section drape showing the front flap in an extended position;

FIG. 10 is a front elevation view thereof;

FIG. 11 is a top plan view thereof;

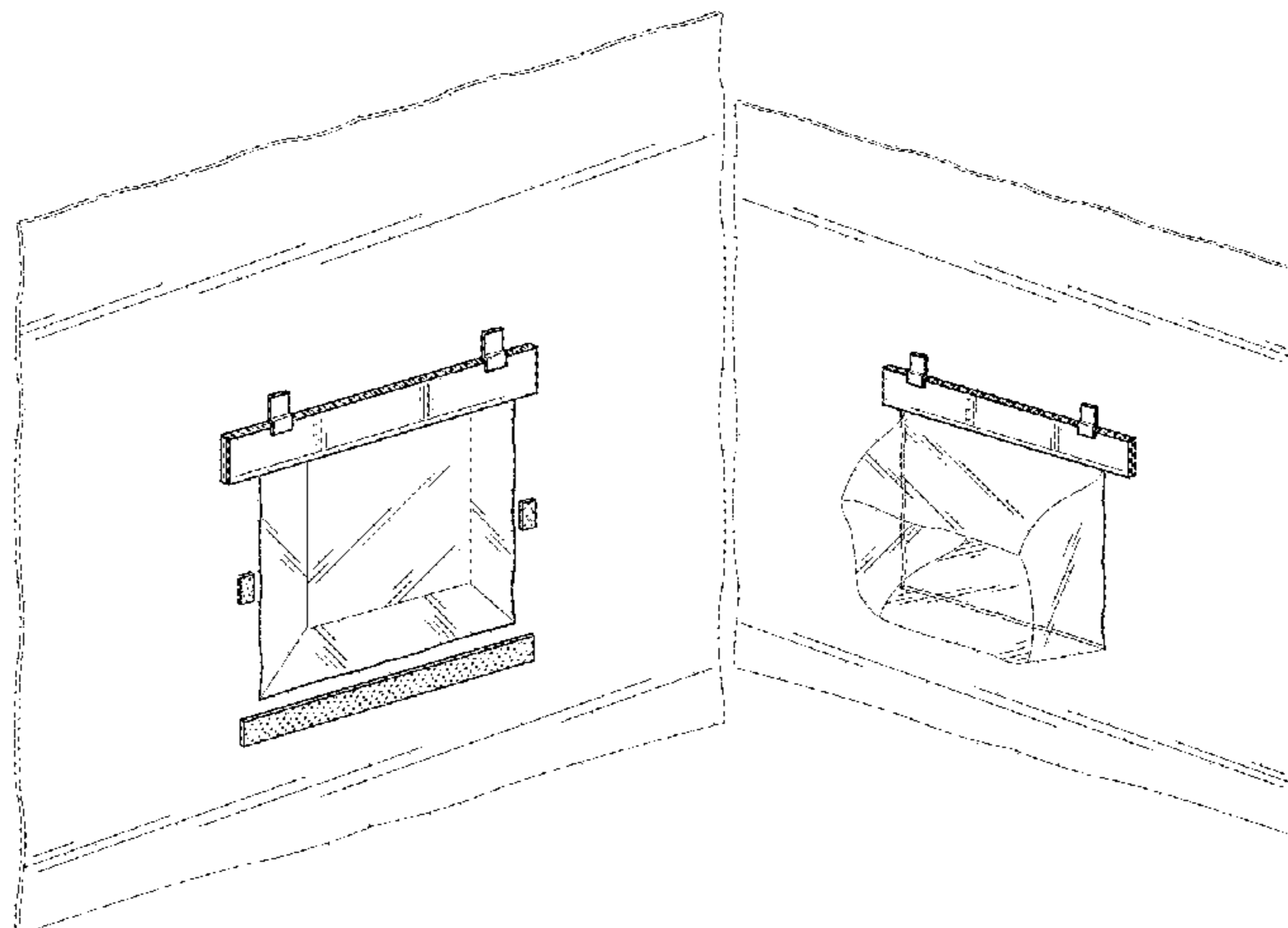
FIG. 12 is a bottom plan view thereof;

FIG. 13 is a left side elevation view, the right side elevation view being a mirror image thereof; and,

FIG. 14 is a rear elevation view showing the rear flap in an extended position.

The portions of the surgical C-section drape shown with stippling indicate an adhesive element. The broken lines depict portions of the surgical C-section drape with tunnel that form no part of the claim. The dash-dot broken line

(Continued)



around the perimeter of the surgical C-section drape indicates an unclaimed boundary.

1 Claim, 7 Drawing Sheets

(58) Field of Classification Search

CPC A61B 46/20; A61B 46/30; A61B 46/40
See application file for complete search history.

(56) References Cited

U.S. PATENT DOCUMENTS

3,707,964	A	1/1973	Collins	
3,721,242	A	3/1973	Krusko	
3,750,664	A	8/1973	Collins	
3,763,857	A	10/1973	Schradling	
3,791,381	A	2/1974	Krzewinski	
3,799,161	A	3/1974	Collins	
3,826,253	A	7/1974	Larsh	
4,089,331	A	5/1978	Hartigan	
4,169,472	A	10/1979	Morris	
4,192,312	A	3/1980	Wilson	
4,205,668	A	6/1980	Criddle	
D256,161	S	7/1980	Oliver	
4,384,573	A	5/1983	Elliott	
4,489,720	A	12/1984	Morris	
4,559,937	A	12/1985	Vinson	
4,586,498	A	5/1986	Morris	
4,616,642	A	10/1986	Martin	
4,798,201	A	1/1989	Rawlings	
4,869,271	A	9/1989	Idris	
4,890,628	A	1/1990	Jackson	
4,899,762	A	2/1990	Muller	
4,944,737	A	7/1990	Bloom	
5,042,507	A	8/1991	Dowdy	
5,060,662	A	10/1991	Farnsworth	
5,195,893	A	3/1993	Casale	
5,197,493	A	3/1993	Grier-Idris	
5,209,243	A	5/1993	Glassman	
5,345,946	A	9/1994	Butterworth	
5,380,278	A	1/1995	Mombrinie	
5,464,024	A	11/1995	Mills	
D373,921	S	9/1996	Palomo	
5,778,889	A	7/1998	Jascomb	
5,778,890	A	7/1998	Lofgren	
5,800,483	A	9/1998	Vought	
5,803,086	A	9/1998	Scholz	
5,860,420	A	1/1999	Wiedner	
5,875,780	A	3/1999	Rodriguez	
D408,533	S *	4/1999	Niedospial, Jr.	D24/118
5,991,666	A	11/1999	Vought	
6,007,564	A	12/1999	Haverstock	
6,019,102	A	2/2000	Becker	
6,032,670	A	3/2000	Miller	
6,199,553	B1	3/2001	Hafer	
6,213,124	B1	4/2001	Butterworth	
6,314,958	B1	11/2001	Harroll	
6,345,621	B1	2/2002	Chandler	
D467,345	S	12/2002	Gingles	
6,497,233	B1	12/2002	DeAngelis	
6,612,310	B2	9/2003	Sklar	
6,694,981	B2	2/2004	Gingles	
6,725,864	B2	4/2004	Ewonce	
6,835,256	B2	12/2004	Menzies	
6,843,252	B2	1/2005	Harrison	
6,923,186	B2	8/2005	Gavette	
6,966,320	B1	11/2005	Baynes	
7,059,371	B2 *	6/2006	Renn	A45C 3/06 150/101
7,086,404	B2	8/2006	Dusenbery	
D539,904	S *	4/2007	Inoue	D24/118
D541,414	S *	4/2007	Wallace	D24/118
7,588,034	B2	9/2009	Mathis	

D615,646	S *	5/2010	Russell	D24/118
7,752,768	B2	7/2010	Young	
7,853,311	B1	12/2010	Webb	
D637,296	S *	5/2011	Matthews	D24/184
8,011,371	B2	9/2011	Rotolo	
8,079,365	B2	12/2011	Block	
D653,330	S *	1/2012	Ecabert	D24/118
D653,331	S *	1/2012	Ecabert	D24/118
D653,333	S *	1/2012	Ecabert	D24/118
D653,751	S *	2/2012	Ecabert	D24/118
D653,752	S *	2/2012	Pittet	D24/118
D653,753	S *	2/2012	Ecabert	D24/118
8,459,265	B2	6/2013	Young	
D693,603	S	11/2013	Esquivel	
8,721,629	B2	5/2014	Hardman	
8,783,262	B2	7/2014	Carrez	
8,967,150	B2	3/2015	Carrez	
D739,012	S *	9/2015	Hanuka	D24/118
9,278,166	B2	3/2016	Czajka, Jr.	
D796,685	S *	9/2017	Ohizep	D24/189
D838,375	S *	1/2019	Cashin	D24/206
D839,440	S *	1/2019	Cashin	D24/206
D851,772	S *	6/2019	Haines	D24/184
2001/0023697	A1	9/2001	Hinley	
2002/0174870	A1	11/2002	Ewonce	
2003/0051362	A1	3/2003	Buckman	
2003/0159966	A1	8/2003	McMichael	
2003/0187458	A1	10/2003	Carlson	
2004/0103903	A1	6/2004	Falahee	
2004/0118049	A1	6/2004	Chen	
2004/0118409	A1	6/2004	Griesbach	
2005/0234322	A1	10/2005	Lober	
2006/0169290	A1 *	8/2006	Harris	A61B 46/23 128/852
2006/0201521	A1	9/2006	Masini	
2006/0207609	A1	9/2006	Gil	
2006/0219249	A1	10/2006	Czajka	
2008/0006279	A1	1/2008	Bodenham	
2009/0158487	A1	6/2009	Paulsen	
2009/0277460	A1	11/2009	Carrez	
2010/0192960	A1	8/2010	Rotolo	
2010/0263678	A1	10/2010	Baumann	
2011/0015557	A1	1/2011	Aali	
2011/0030702	A1	2/2011	Czajka	
2011/0041995	A1	2/2011	Adams	
2011/0126845	A1	6/2011	Hoffmann	
2011/0214679	A1	9/2011	Chua	
2011/0247634	A1	10/2011	Young	
2012/0017921	A1	1/2012	Esquivel	
2012/0222686	A1	9/2012	Lockwood	
2012/0222687	A1	9/2012	Czajka	
2012/0298115	A1	11/2012	Haines	
2013/0284187	A1	10/2013	Esquivel	
2013/0304080	A1	11/2013	Landry	
2013/0312770	A1	11/2013	Young	
2014/0012119	A1	1/2014	Geaghan	
2014/0261457	A1	9/2014	Lothar	
2015/0135398	A1	5/2015	Czajka	
2015/0359596	A1	12/2015	Jarrelle	
2016/0135915	A1	5/2016	Czajka, Jr.	
2017/0258543	A1	9/2017	Chua	

FOREIGN PATENT DOCUMENTS

EP	2151211	A2	2/2010
SU	445412	A1	10/1974
WO	9510986	A1	4/1994
WO	2006094062	A1	9/2006
WO	2011088326	A1	7/2011
WO	2012078620	A2	6/2012
WO	2012161869	A1	11/2012
WO	2013036387	A1	3/2013
WO	2014083573	A1	6/2014
WO	2015191953	A1	12/2015

* cited by examiner

FIG. 1

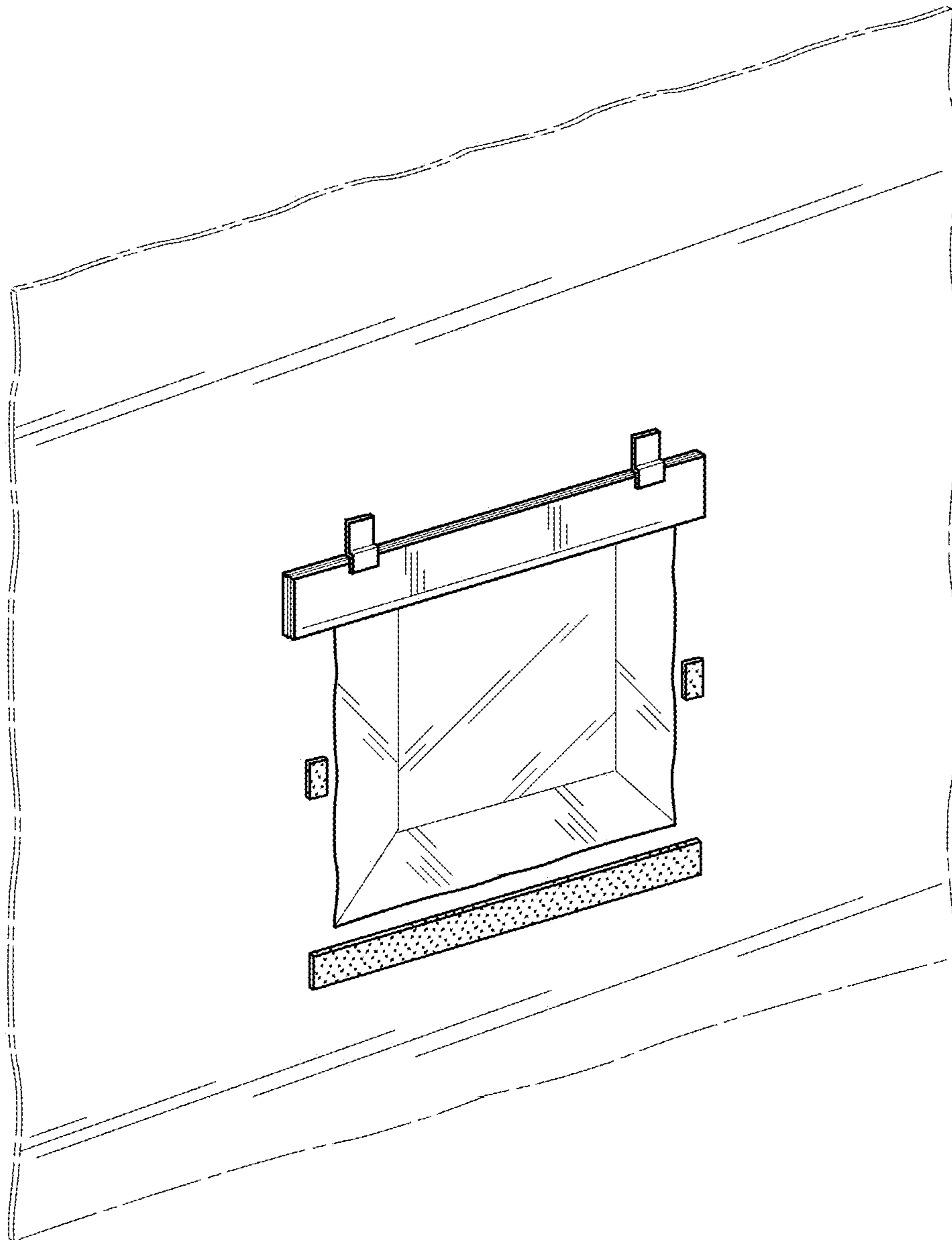


FIG. 3



FIG. 2

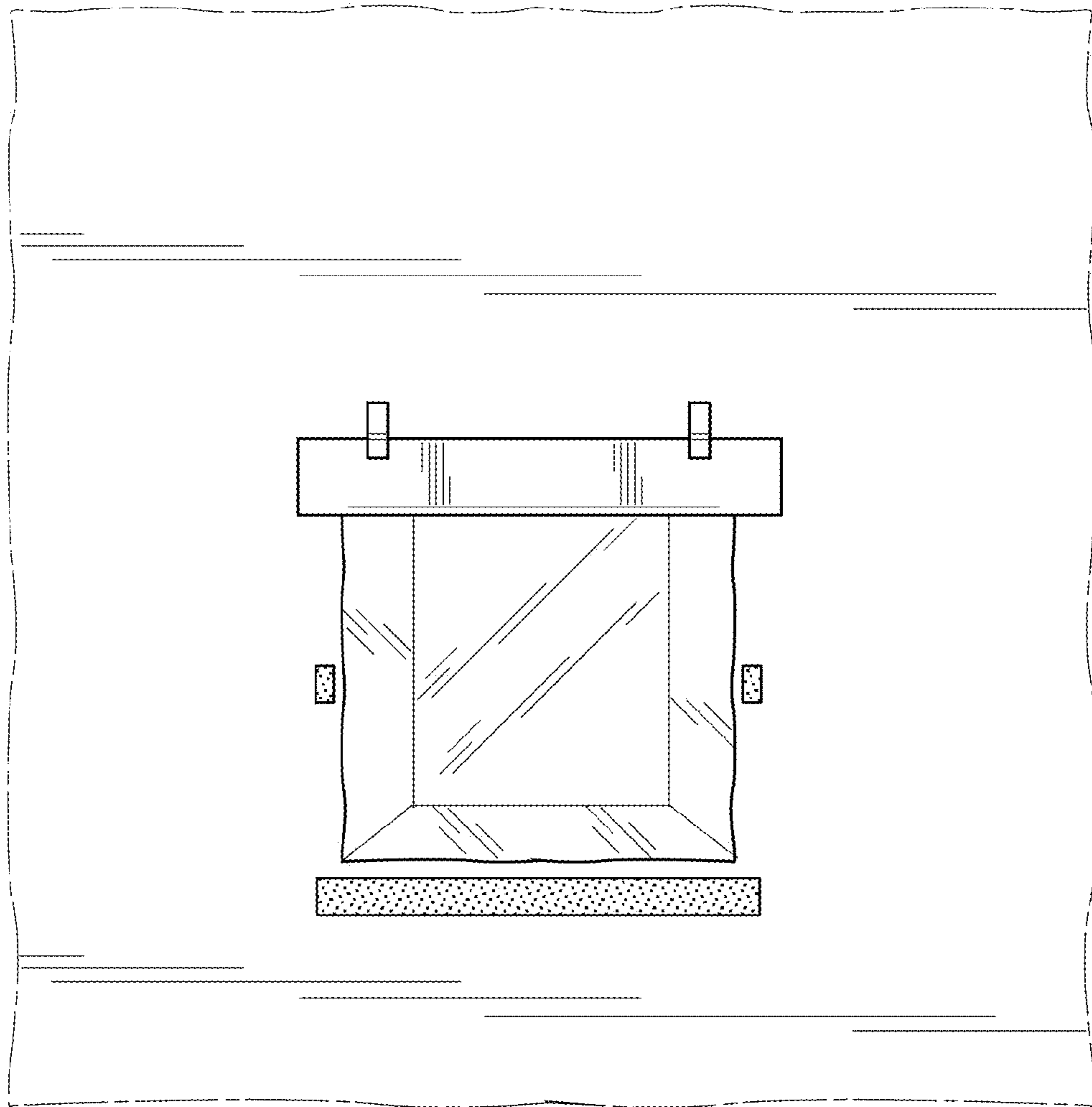


FIG. 5

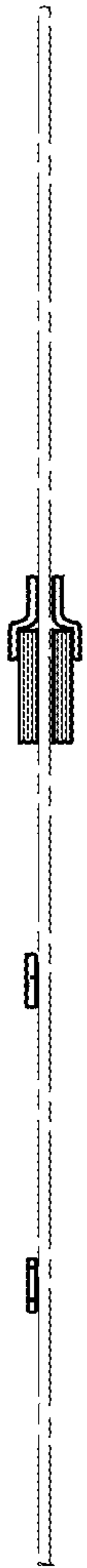
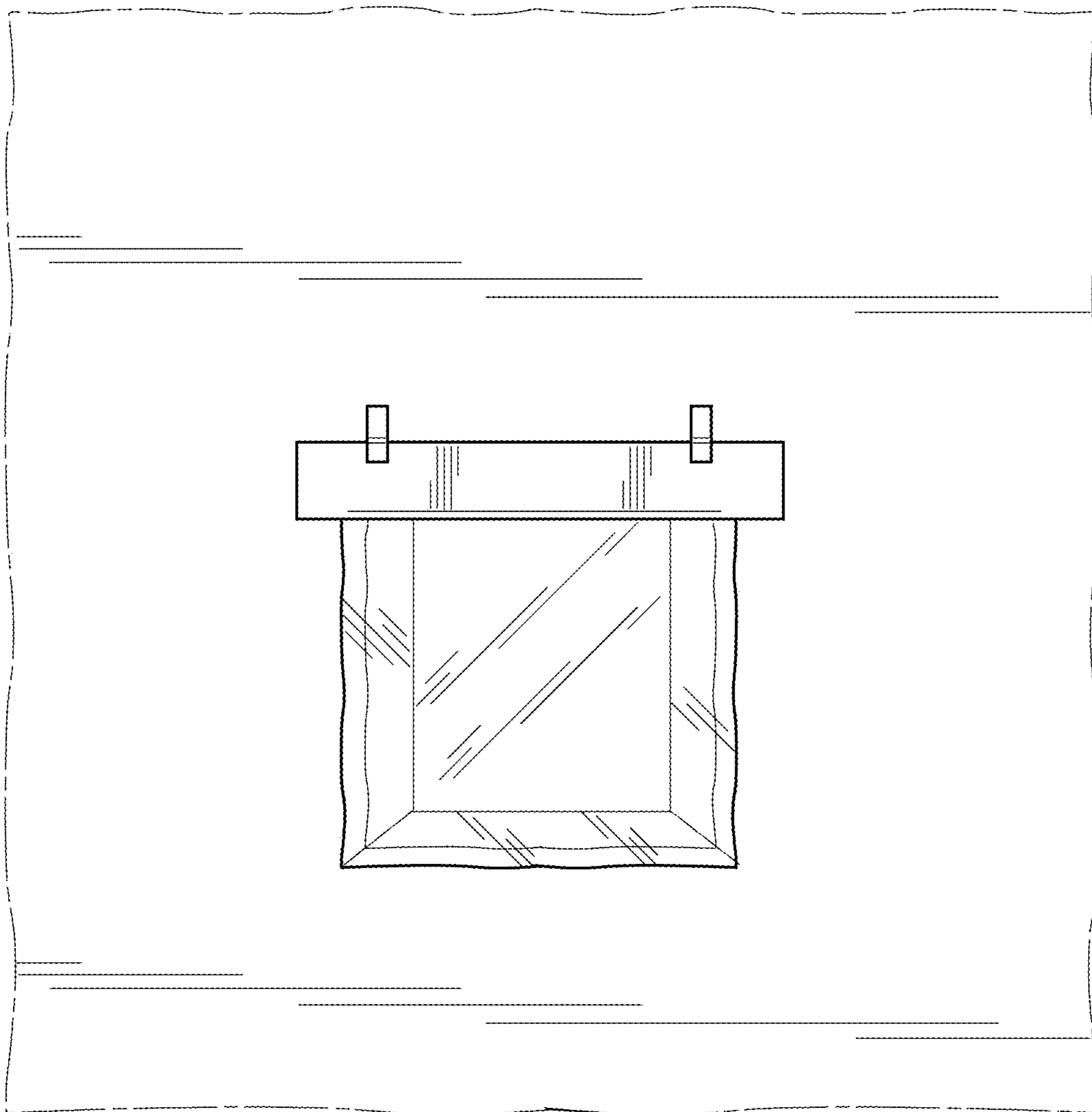


FIG. 4



FIG. 6



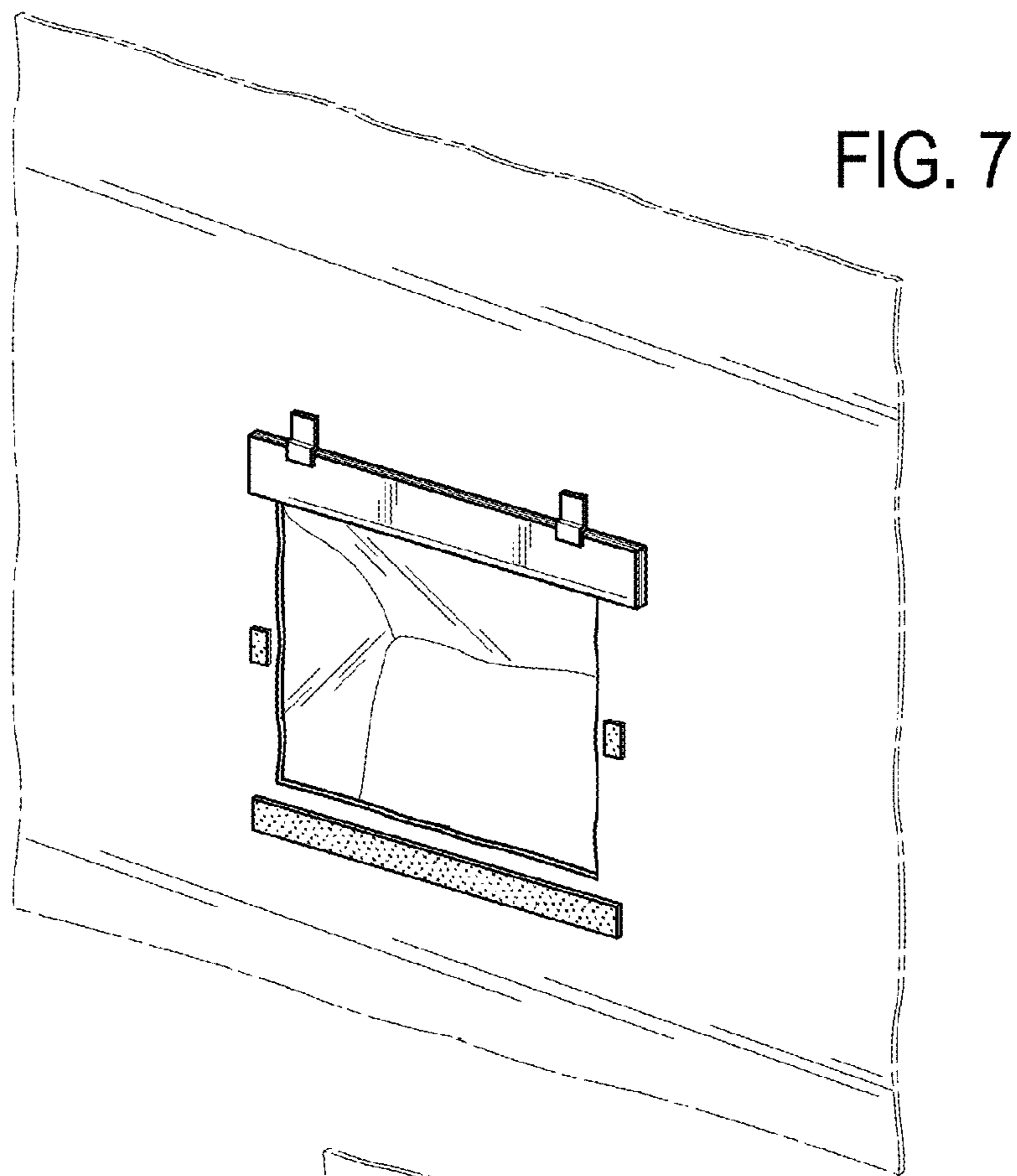


FIG. 8

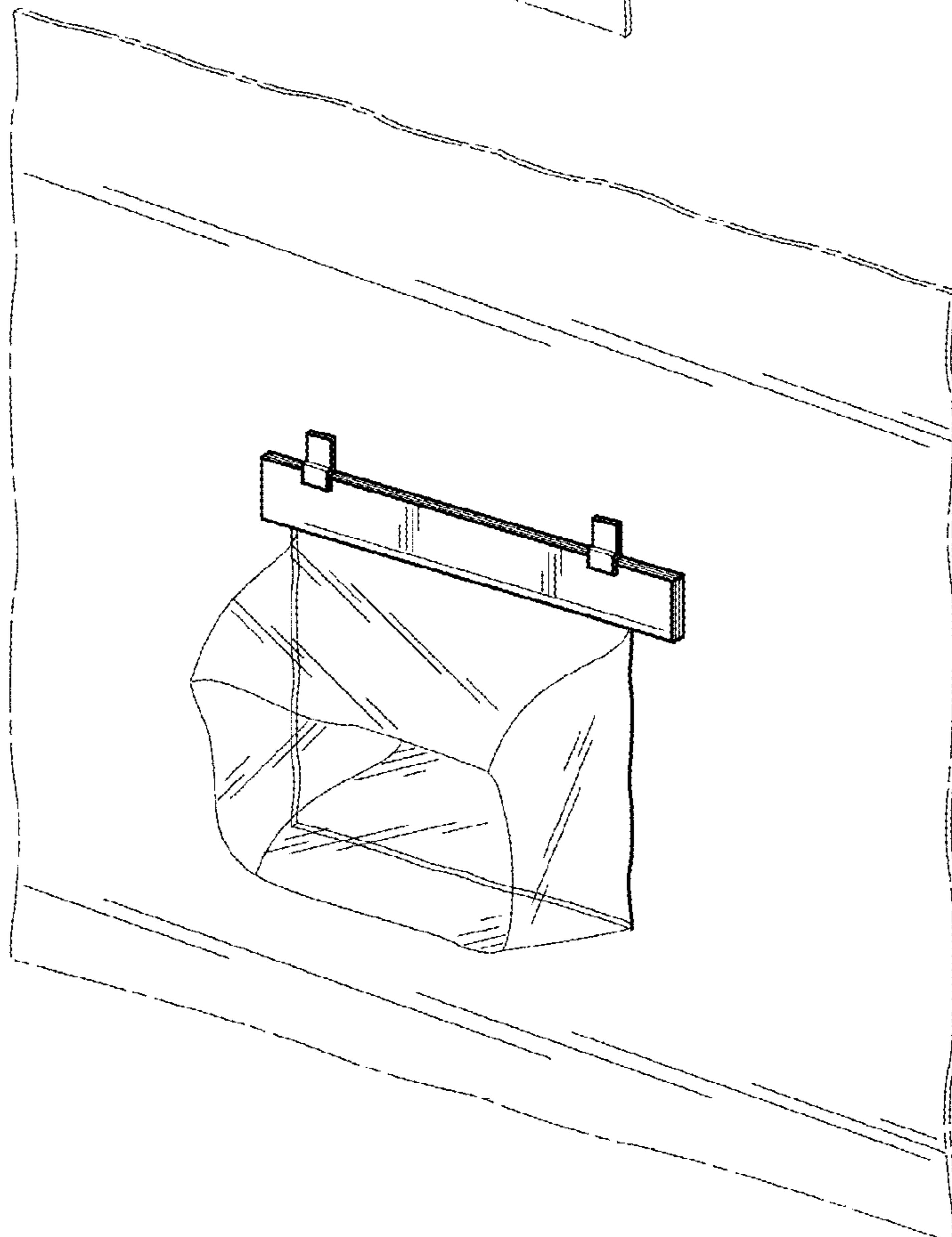


FIG. 9

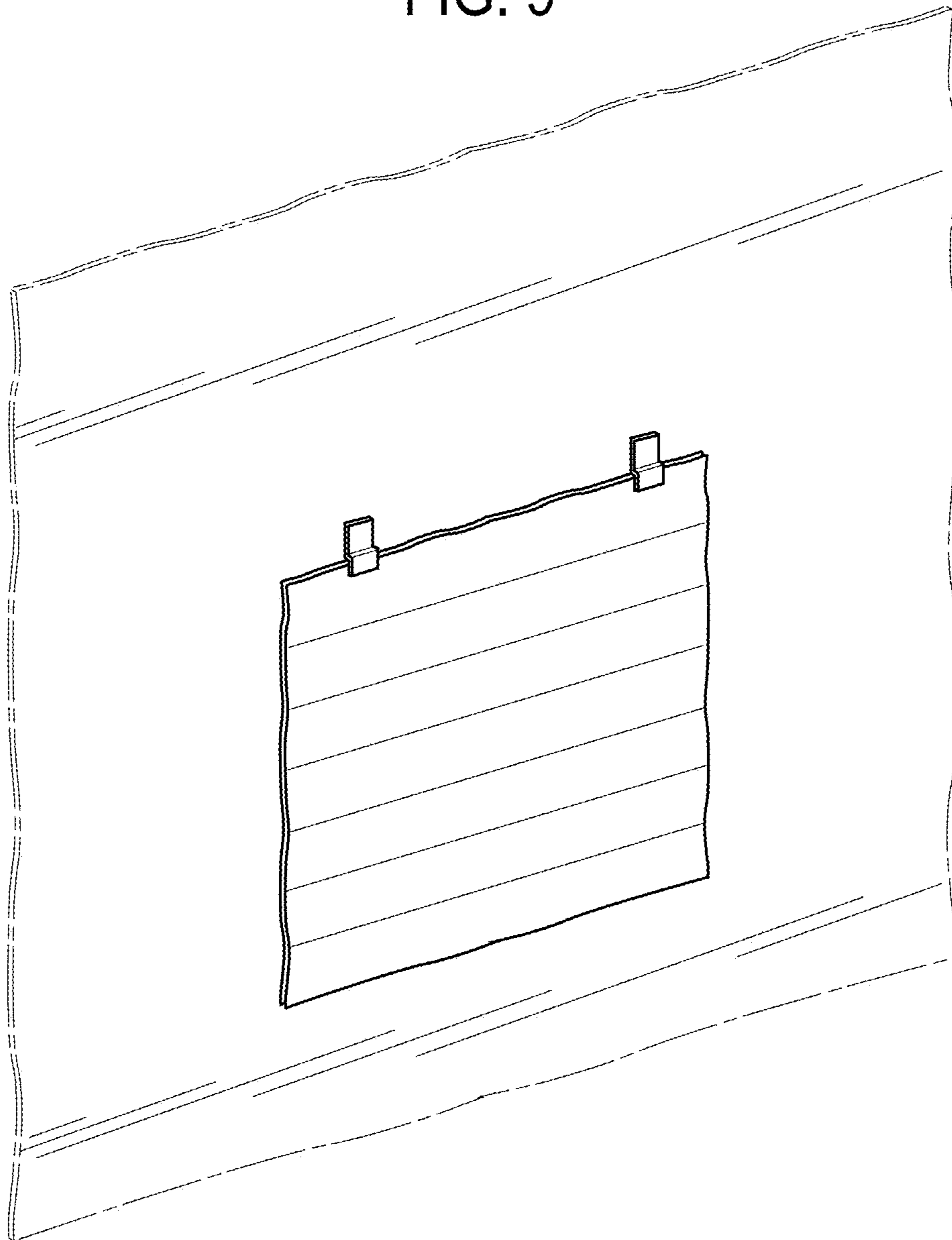


FIG. 11

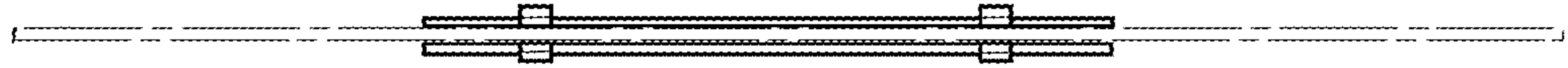


FIG. 13



FIG. 10

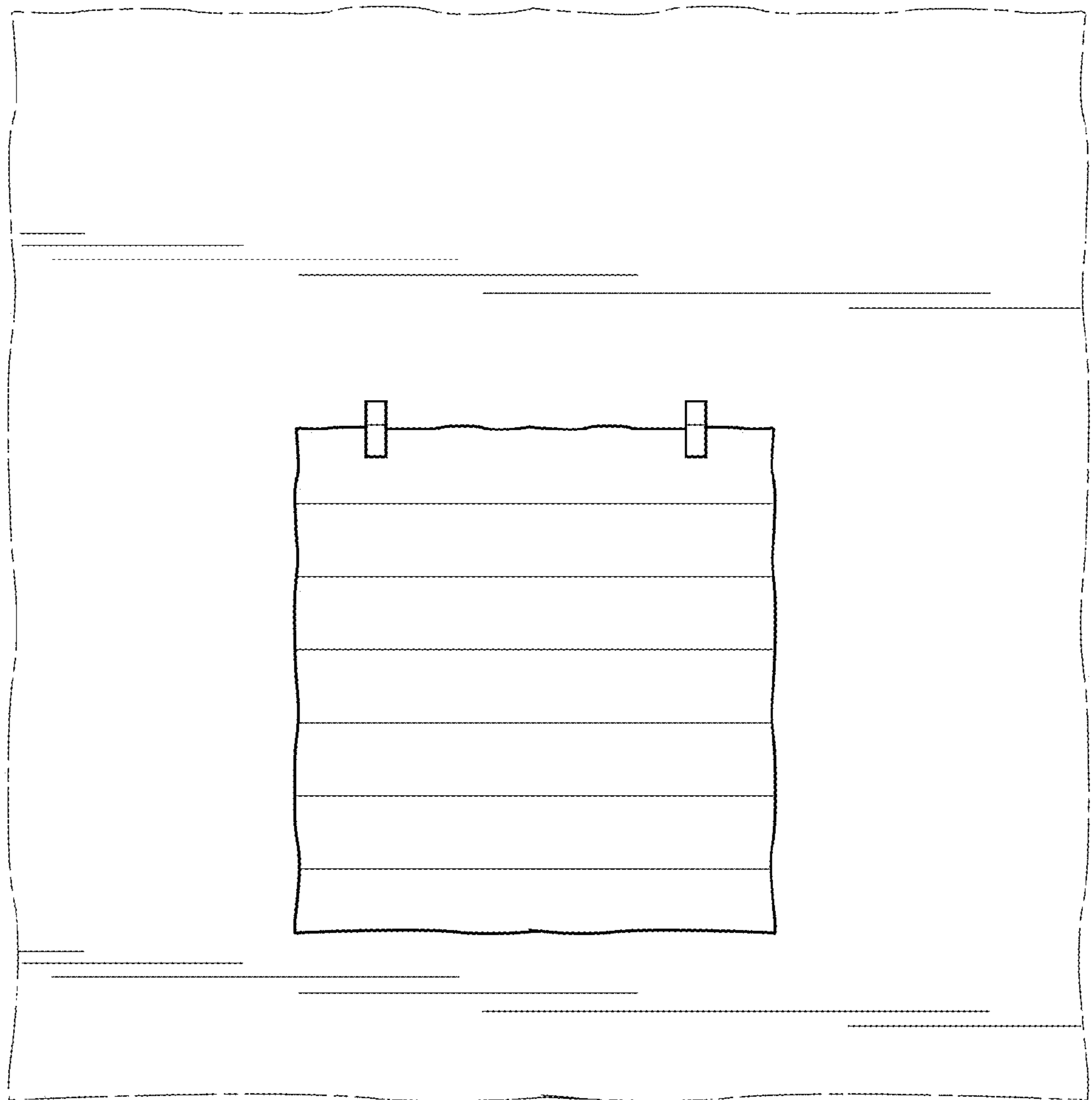


FIG. 12

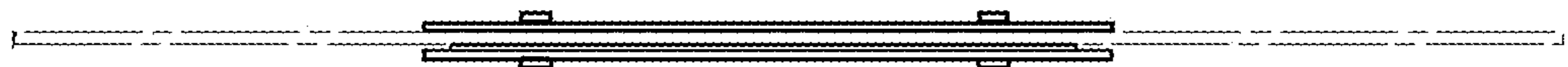


FIG. 14

