



US00D884900S

(12) **United States Design Patent** (10) **Patent No.:** **US D884,900 S**
Shin et al. (45) **Date of Patent:** **** May 19, 2020**

(54) **ULTRASOUND DIAGNOSTIC APPARATUS**

(56) **References Cited**

(71) Applicant: **SAMSUNG MEDISON CO., LTD.**,
Hongcheon-gun (KR)

U.S. PATENT DOCUMENTS

(72) Inventors: **Cheonseop Shin**, Seongnam-si (KR);
Ui Kim, Seoul (KR); **Junpil Moon**,
Seoul (KR); **Sungwon Lim**, Paju-si
(KR); **Kilsu Ha**, Yongin-si (KR)

D662,208	S	*	6/2012	Otoha	D24/185
D707,360	S	*	6/2014	Kim	D24/185
D713,035	S	*	9/2014	Kim	D24/158
D727,504	S	*	4/2015	Ninomiya	D24/158
D728,791	S	*	5/2015	Ninomiya	D24/158
D804,673	S	*	12/2017	Shin	D24/186
D840,541	S	*	2/2019	Yanagihara	D24/160
D843,585	S	*	3/2019	Wu	D24/186
2007/0270694	A1	*	11/2007	Pelissier	A61B 8/00 600/443
2019/0167230	A1	*	6/2019	Cho	A61B 8/4422

(73) Assignee: **SAMSUNG MEDISON CO., LTD.**,
Gangwon-Do (KR)

(**) Term: **15 Years**

* cited by examiner

(21) Appl. No.: **29/653,492**

Primary Examiner — Anhdao Doan

(22) Filed: **Jun. 15, 2018**

(74) *Attorney, Agent, or Firm* — Ladas & Parry LLP

(30) **Foreign Application Priority Data**

(57) **CLAIM**

We claim the ornamental design for an ultrasound diagnostic apparatus, as shown and described.

Dec. 21, 2017 (KR) 30-2017-0060782

DESCRIPTION

(51) **LOC (12) Cl.** **24-01**

FIG. 1 is the front perspective view of an ultrasound diagnostic apparatus showing our new design;

(52) **U.S. Cl.**

FIG. 2 is the front view thereof;

USPC **D24/158**; D24/160

FIG. 3 is the rear view thereof;

(58) **Field of Classification Search**

USPC D24/158-161, 185, 186, 107, 152, 176,
D24/177

FIG. 4 is the left-side view thereof;

CPC ... A61B 6/4405; A61B 6/4411; A61B 6/4435;

FIG. 5 is the right-side view thereof;

A61B 6/4441; A61B 6/4447; A61B

FIG. 6 is the top view thereof; and,

8/4405; A61B 8/4411; A61B 8/4427;

FIG. 7 is the bottom view thereof.

A61B 8/462; A61B 8/0437; A61B 8/0883

The broken lines illustrating portions of an ultrasound diagnostic apparatus form no part of the claimed design.

See application file for complete search history.

1 Claim, 7 Drawing Sheets

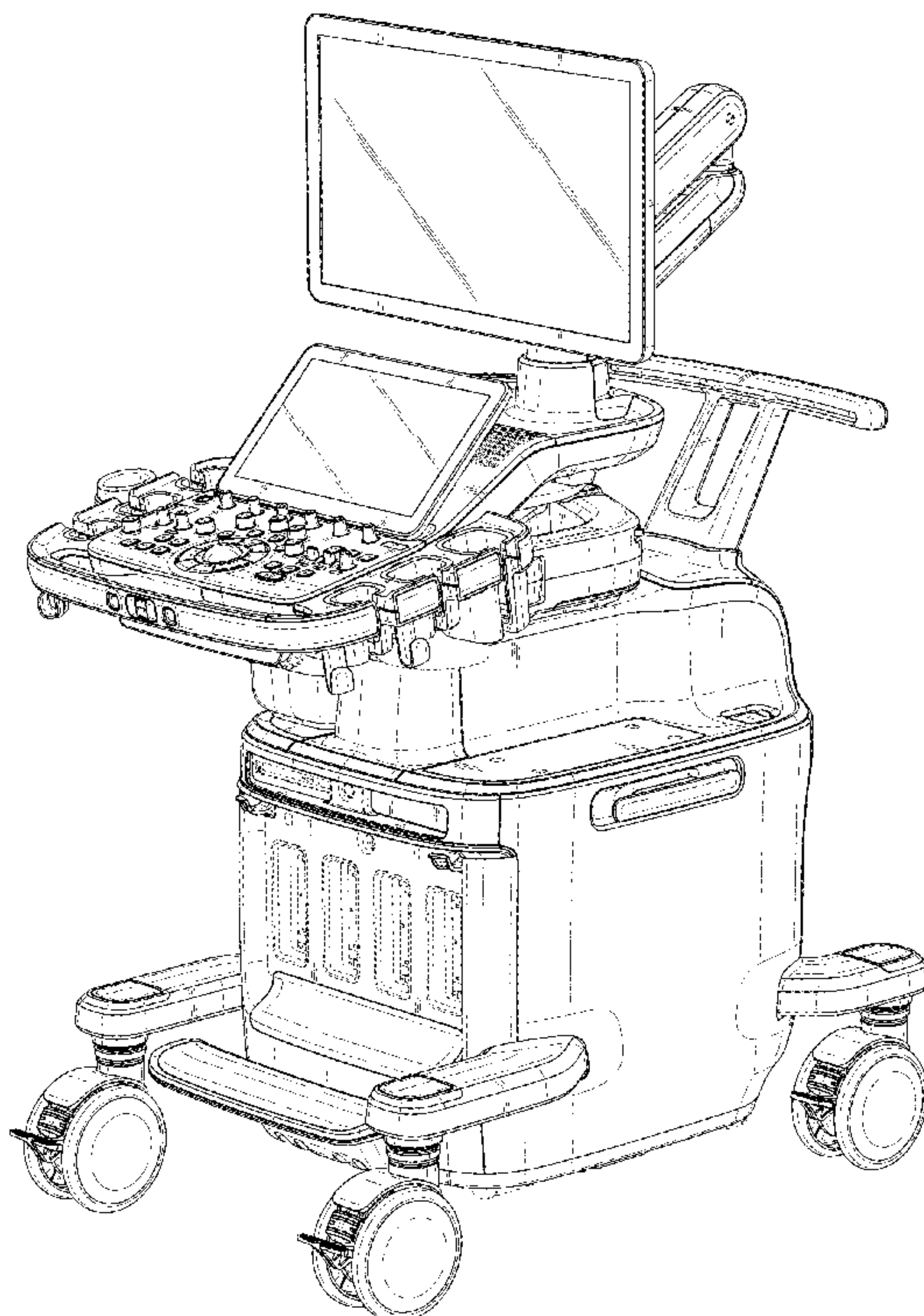


FIG. 1

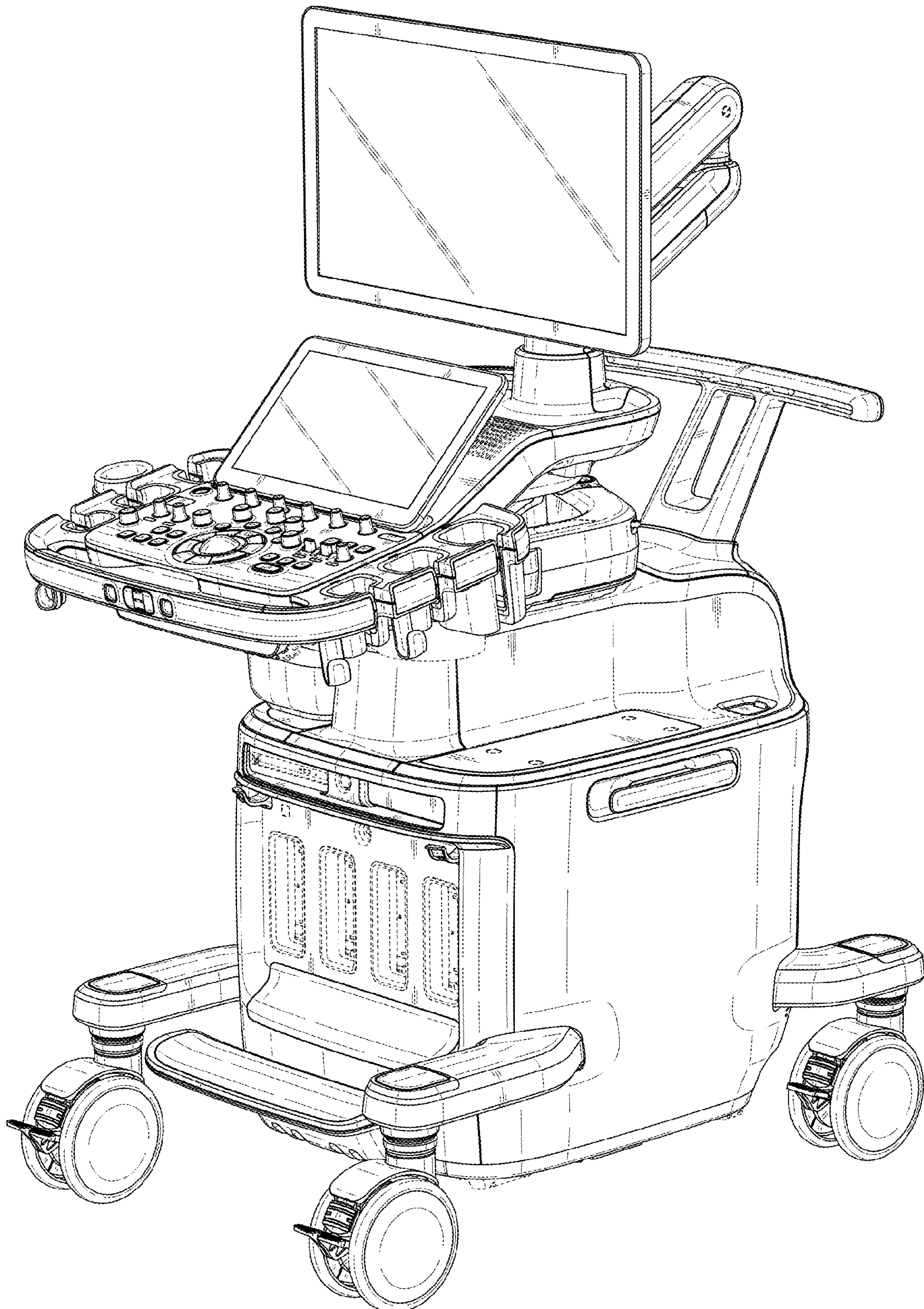


FIG. 2

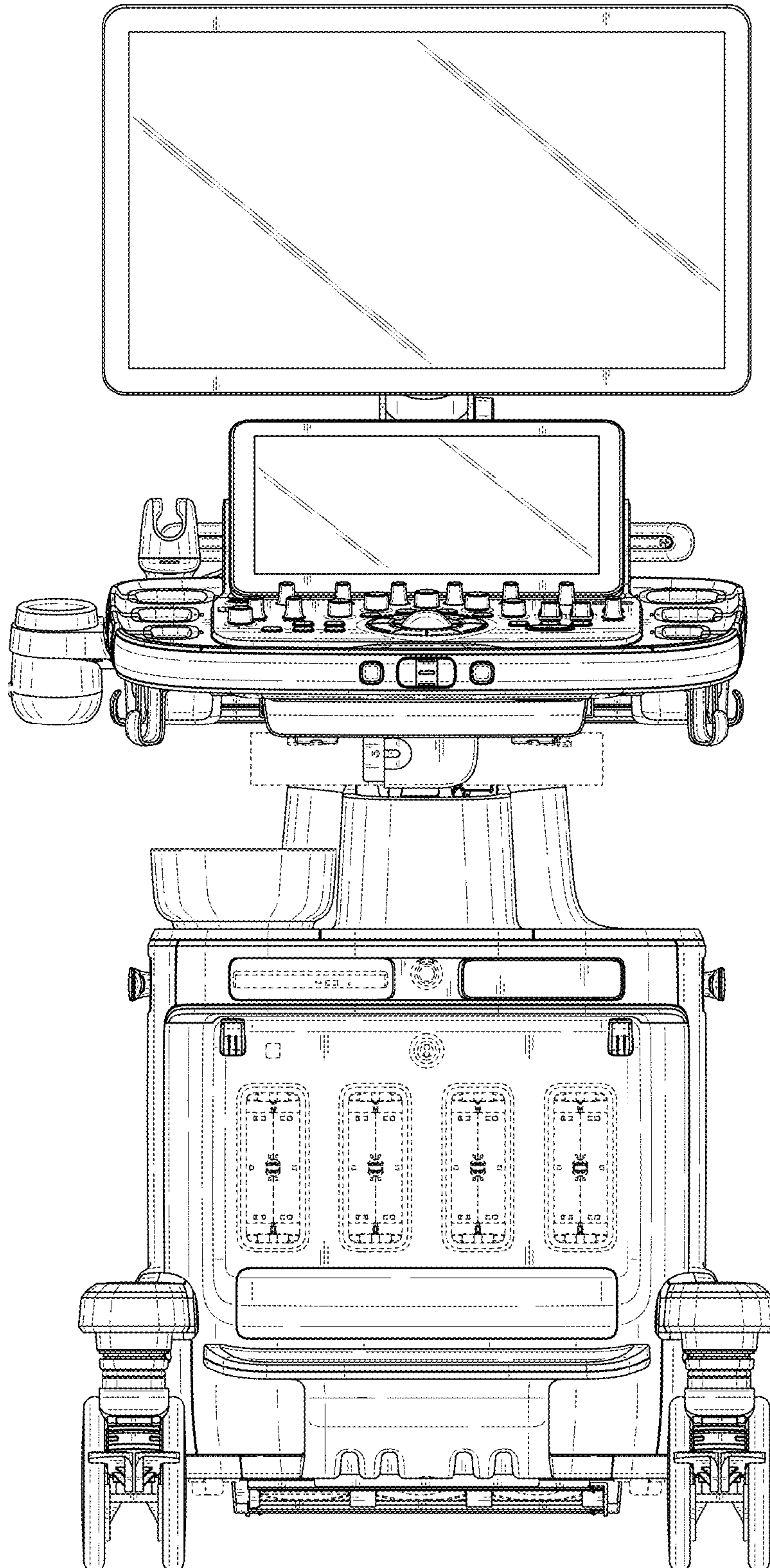


FIG. 3

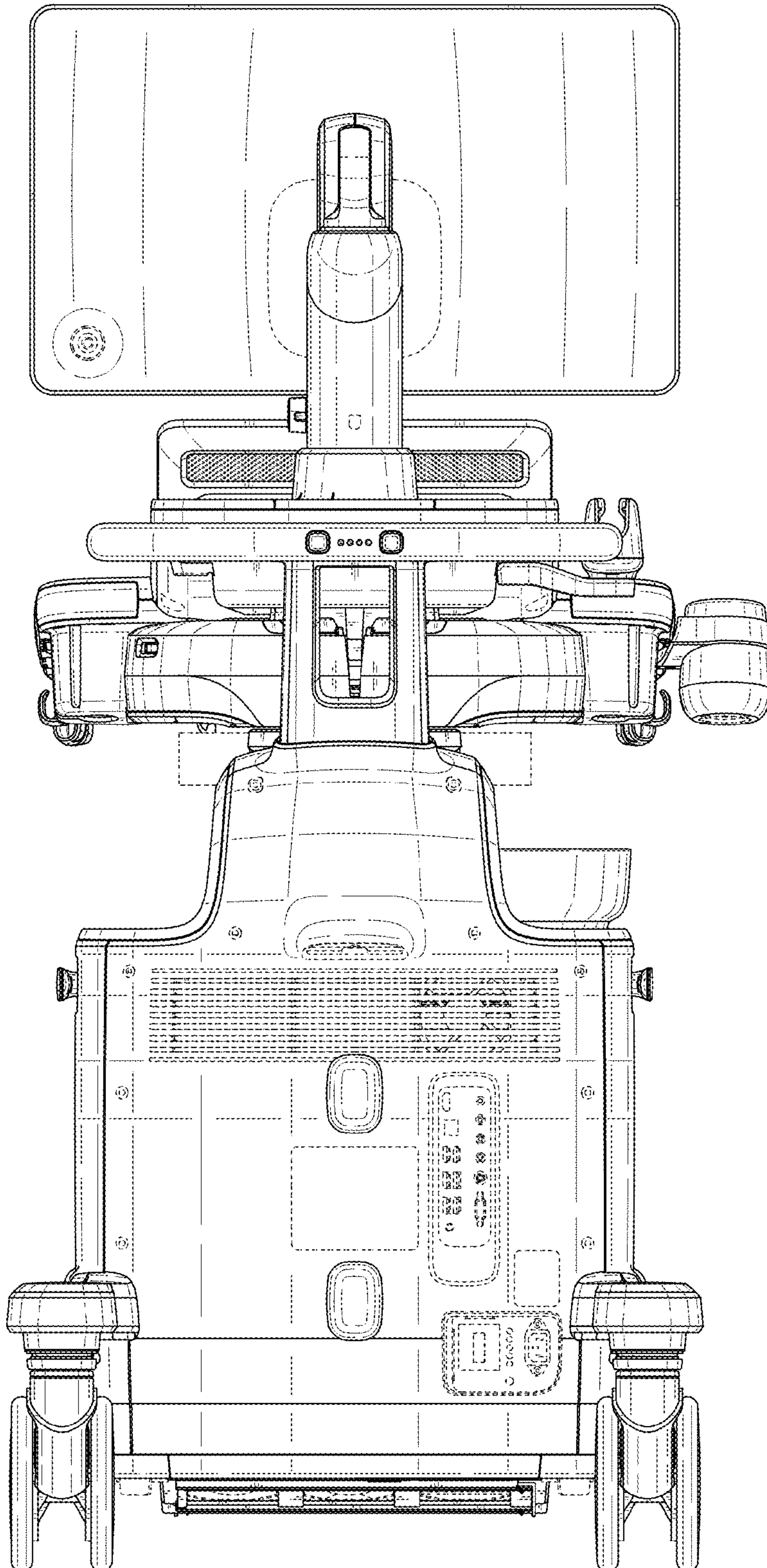


FIG. 4

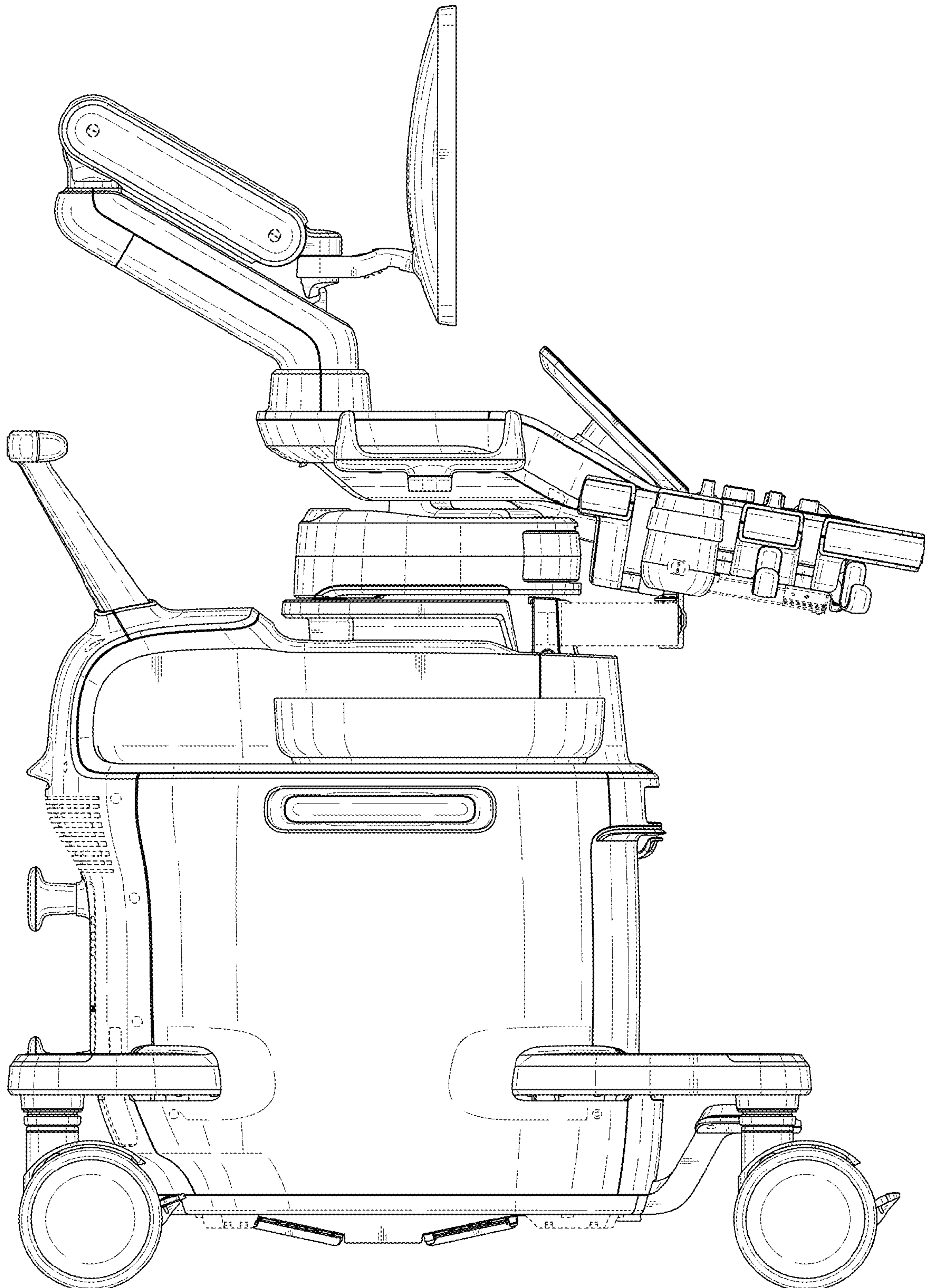


FIG. 5

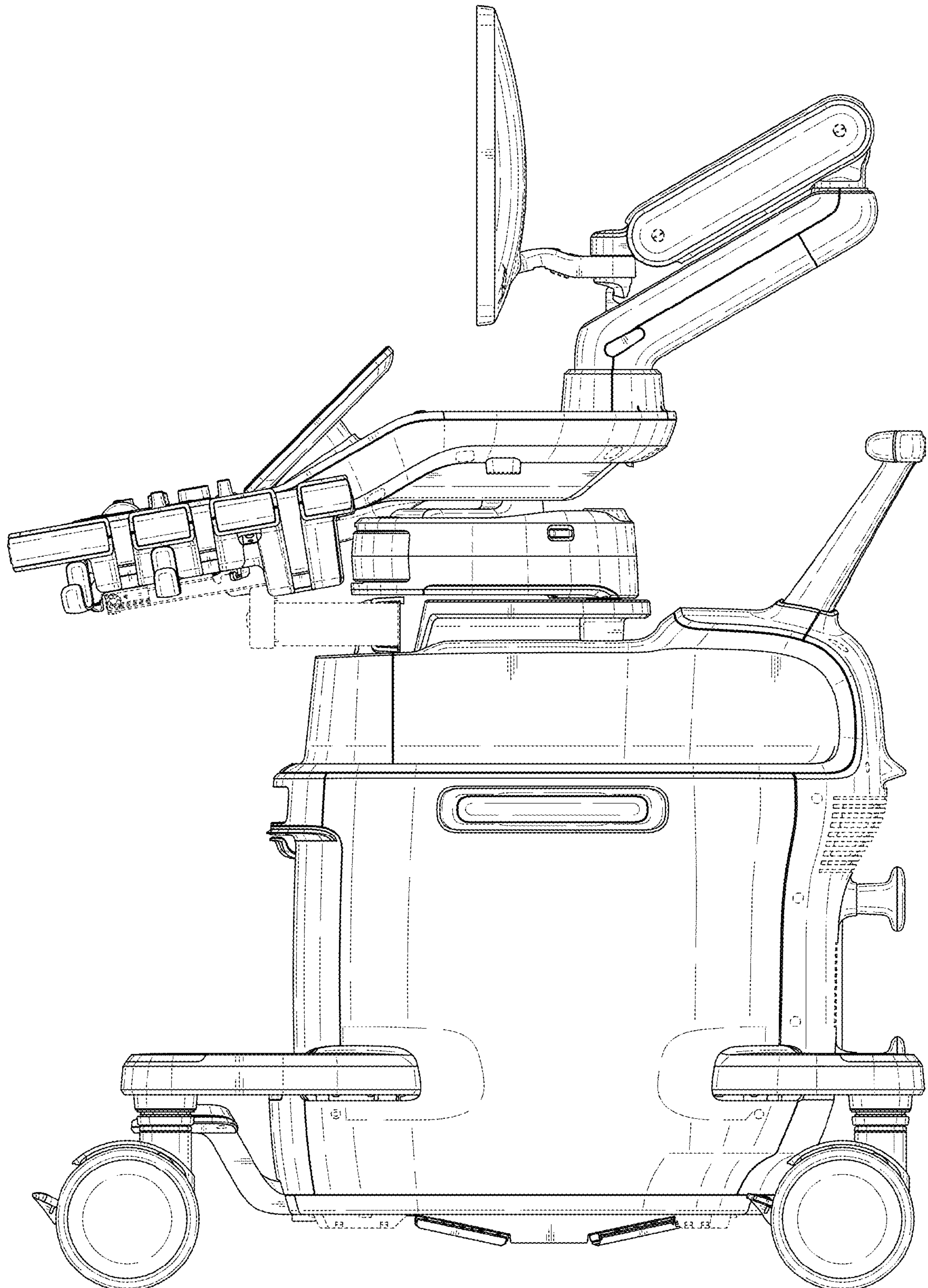


FIG. 6

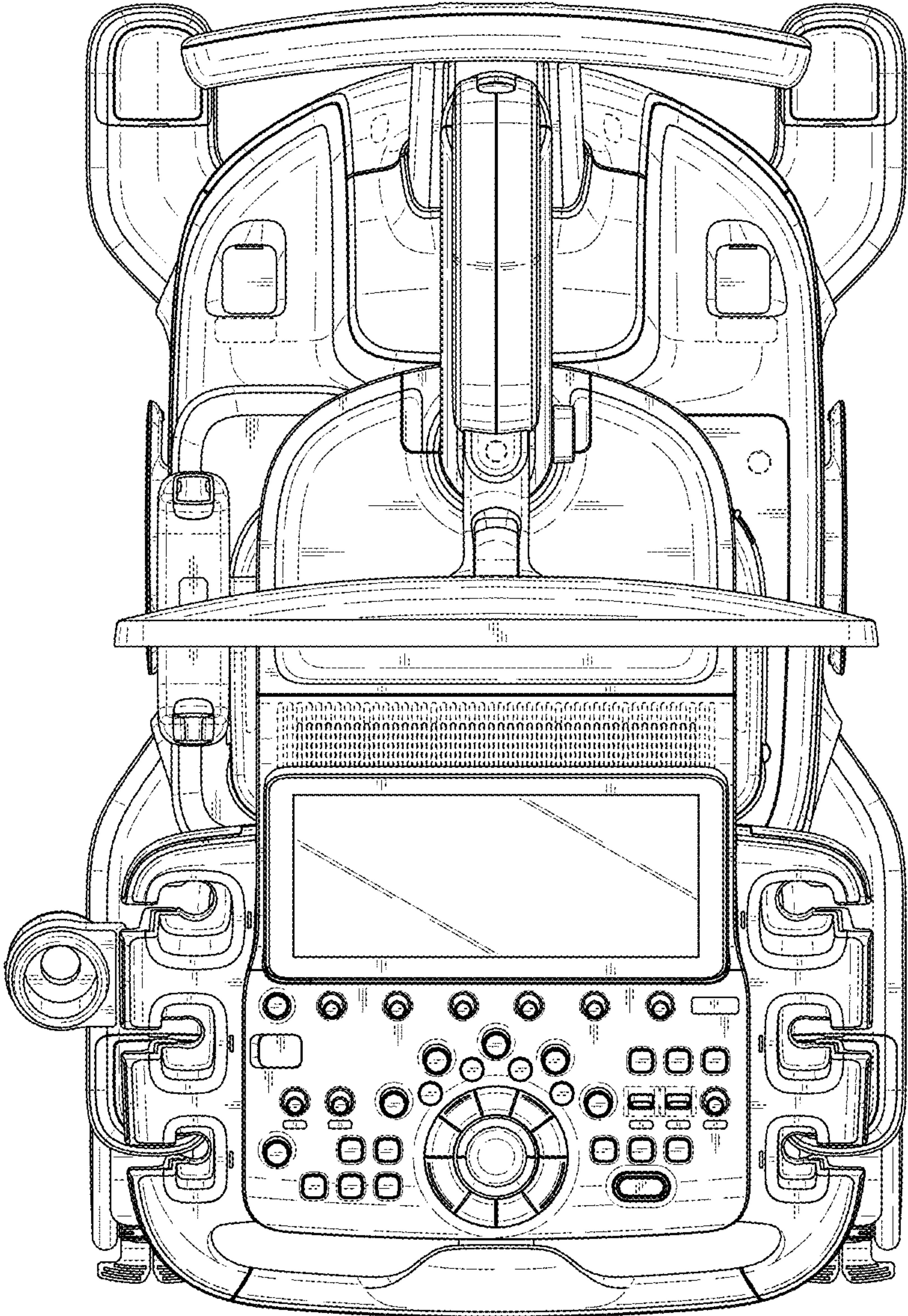


FIG. 7

