



US00D884899S

(12) **United States Design Patent**  
**Masuda et al.**

(10) **Patent No.:** **US D884,899 S**

(45) **Date of Patent:** **\*\* May 19, 2020**

(54) **MEDICAL BREAST EXAMINATION DEVICE**

(71) Applicant: **Hitachi, Ltd.**, Chiyoda-ku, Tokyo (JP)

(72) Inventors: **Ai Masuda**, Tokyo (JP); **Jiwon Hong**, Tokyo (JP); **Akira Kojima**, Tokyo (JP); **Takashi Yamamoto**, Tokyo (JP); **Kenichi Kawabata**, Tokyo (JP); **Takahide Terada**, Tokyo (JP); **Wenjing Wu**, Tokyo (JP); **Yushi Tsubota**, Tokyo (JP)

(73) Assignee: **Hitachi, Ltd.**, Tokyo (JP)

(\*\*) Term: **15 Years**

(21) Appl. No.: **29/639,617**

(22) Filed: **Mar. 7, 2018**

(30) **Foreign Application Priority Data**

Oct. 4, 2017 (JP) ..... 2017-022074

(51) **LOC (12) Cl.** ..... **24-01**

(52) **U.S. Cl.**  
USPC ..... **D24/158**; D24/184

(58) **Field of Classification Search**  
USPC ..... D24/107, 158–161, 183–186; D6/601, D6/604, 605  
CPC ... A61B 6/0435; A61B 6/0457; A61B 6/0442; A61B 6/502; A61B 5/0555; A61B 8/0825; A61B 8/406  
See application file for complete search history.

(56) **References Cited**

**U.S. PATENT DOCUMENTS**

3,556,081 A \* 1/1971 Jones ..... A61B 8/0825  
600/437  
D578,220 S \* 10/2008 Ebarb ..... D24/184  
D628,295 S \* 11/2010 Sakai ..... D24/158  
D723,305 S \* 3/2015 Paperno ..... D6/596

D773,054 S \* 11/2016 Weilert ..... D24/183  
D788,309 S \* 5/2017 Yamaguchi ..... D24/158  
D794,356 S \* 8/2017 McWilliams ..... D6/601  
D815,860 S \* 4/2018 Krishtul ..... D6/601

(Continued)

**FOREIGN PATENT DOCUMENTS**

CN D3214827 S 12/2001  
CN D301362490 S 6/2010

(Continued)

*Primary Examiner* — Anhdao Doan

(74) *Attorney, Agent, or Firm* — Crowell & Moring LLP

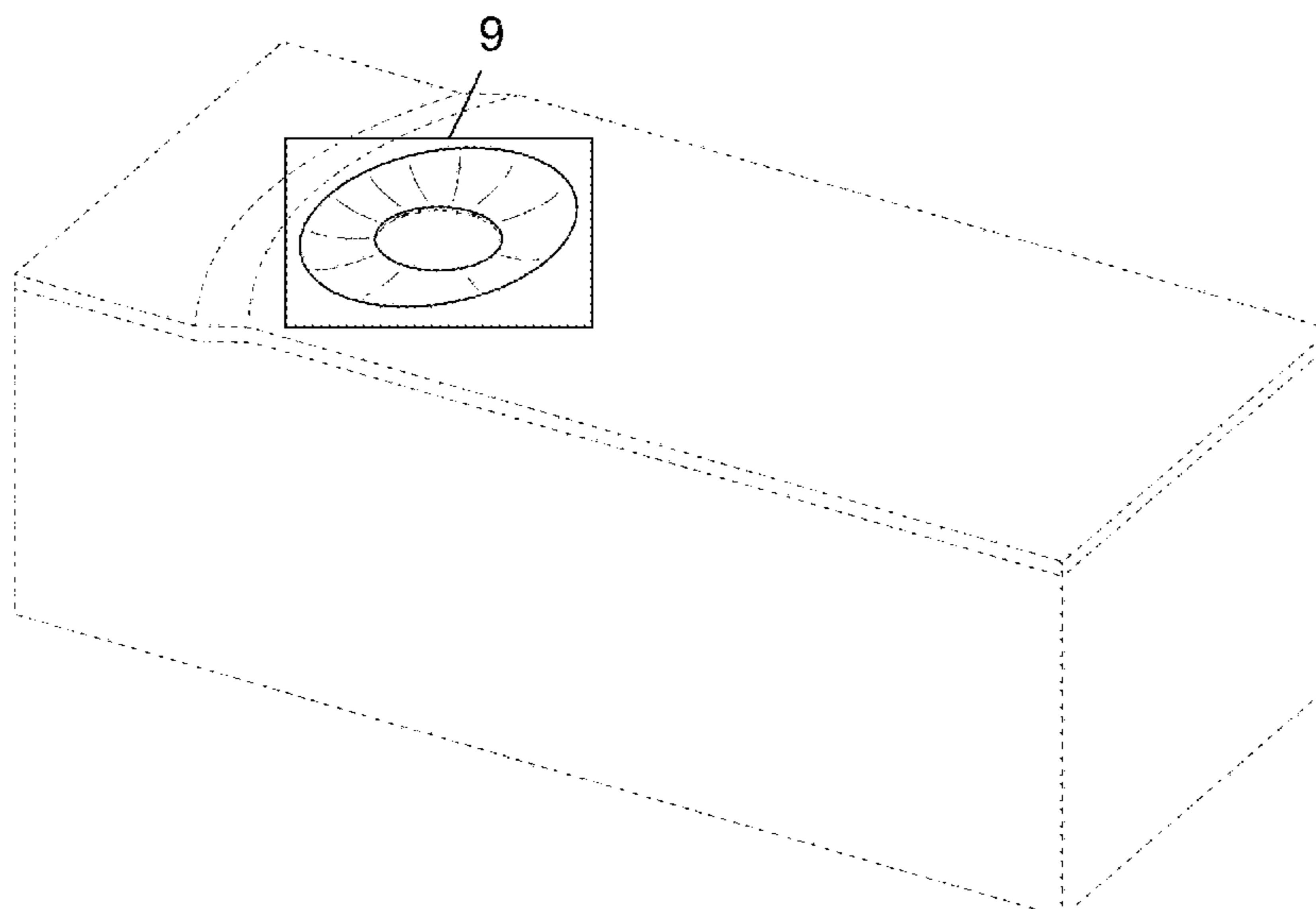
(57) **CLAIM**

The ornamental design for a medical breast examination device, as shown and described.

**DESCRIPTION**

FIG. 1 is a front, bottom and right side perspective view of a medical breast examination device according to the design; FIG. 2 is a front elevational view thereof; FIG. 3 is a left side elevational view thereof; FIG. 4 is a right side elevational view thereof; FIG. 5 is a top plan view thereof; FIG. 6 is a bottom plan view thereof; FIG. 7 is a rear elevational view thereof; FIG. 8 is a cross-sectional view taken along line 8-8 of FIG. 2; FIG. 9 is an enlarged view of the portion shown in box 9 in FIG. 1; FIG. 10 is an enlarged view of the portion shown in box 10 in FIG. 8; and, FIG. 11 is an explanatory view showing a possible use. The evenly spaced dash lines represent environmental subject matter and are for illustrative purposes only. The alternate long and short dash lines define the boundaries of the claim. None of the broken lines form a part of the claimed design.

**1 Claim, 6 Drawing Sheets**



(56)

**References Cited**

U.S. PATENT DOCUMENTS

2004/0064046 A1\* 4/2004 Shehada ..... A61B 8/0825  
600/437  
2008/0187095 A1\* 8/2008 Boone ..... A61B 8/0825  
378/37  
2008/0319318 A1\* 12/2008 Johnson ..... A61B 8/0825  
600/445  
2009/0064413 A1\* 3/2009 Sliski ..... A61B 5/415  
5/601  
2009/0238332 A1\* 9/2009 Farrell-Trent ..... A61B 6/0435  
378/37  
2011/0047702 A1\* 3/2011 Diao ..... A61B 6/0435  
5/601  
2016/0089292 A1\* 3/2016 Albanese ..... A61G 13/06  
128/845

FOREIGN PATENT DOCUMENTS

CN D302155924 S 10/2012  
JP D1428063 S 11/2011  
JP D1513538 S 12/2014  
JP D1540057 S 12/2015

\* cited by examiner

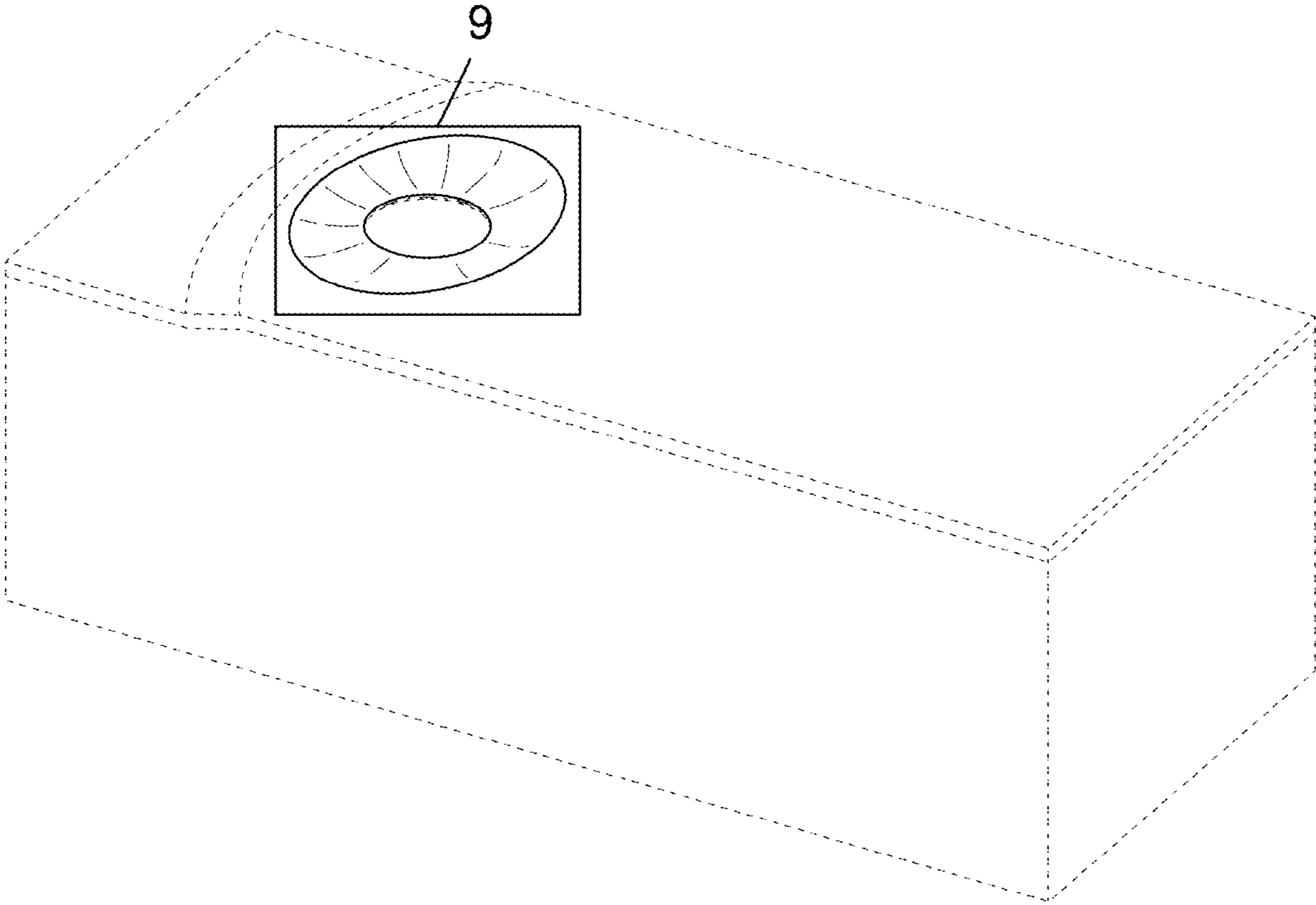


FIG. 1

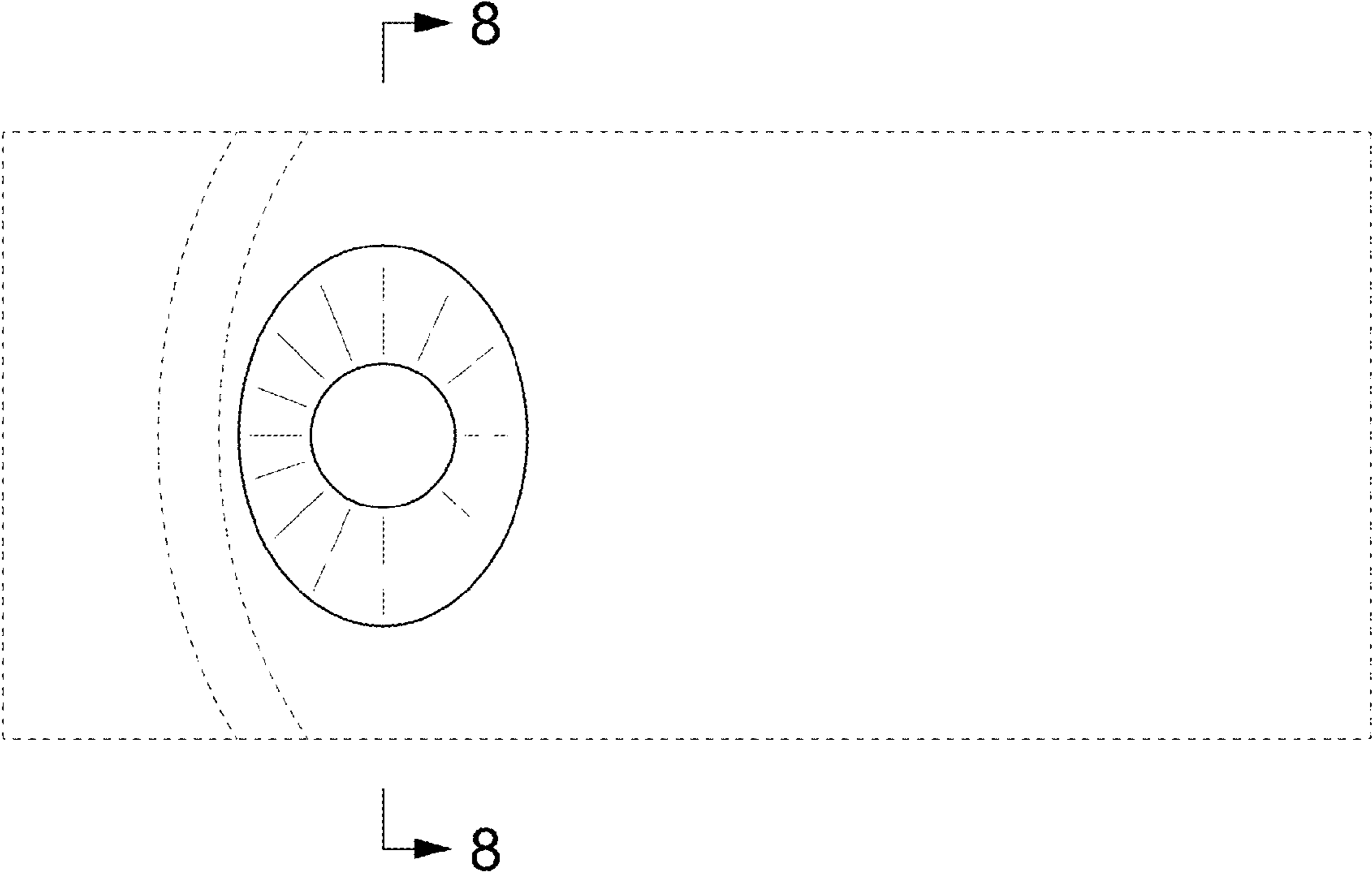
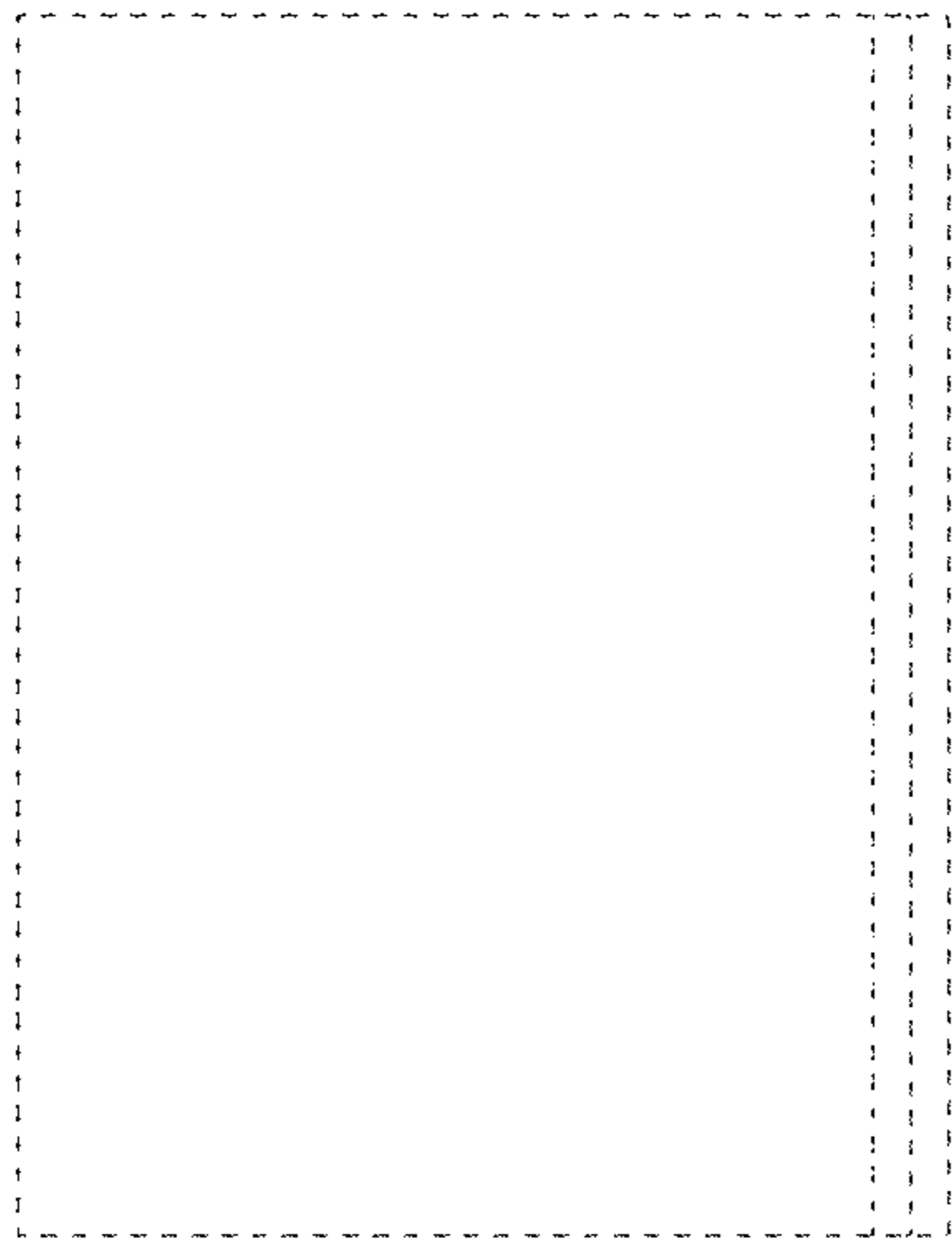
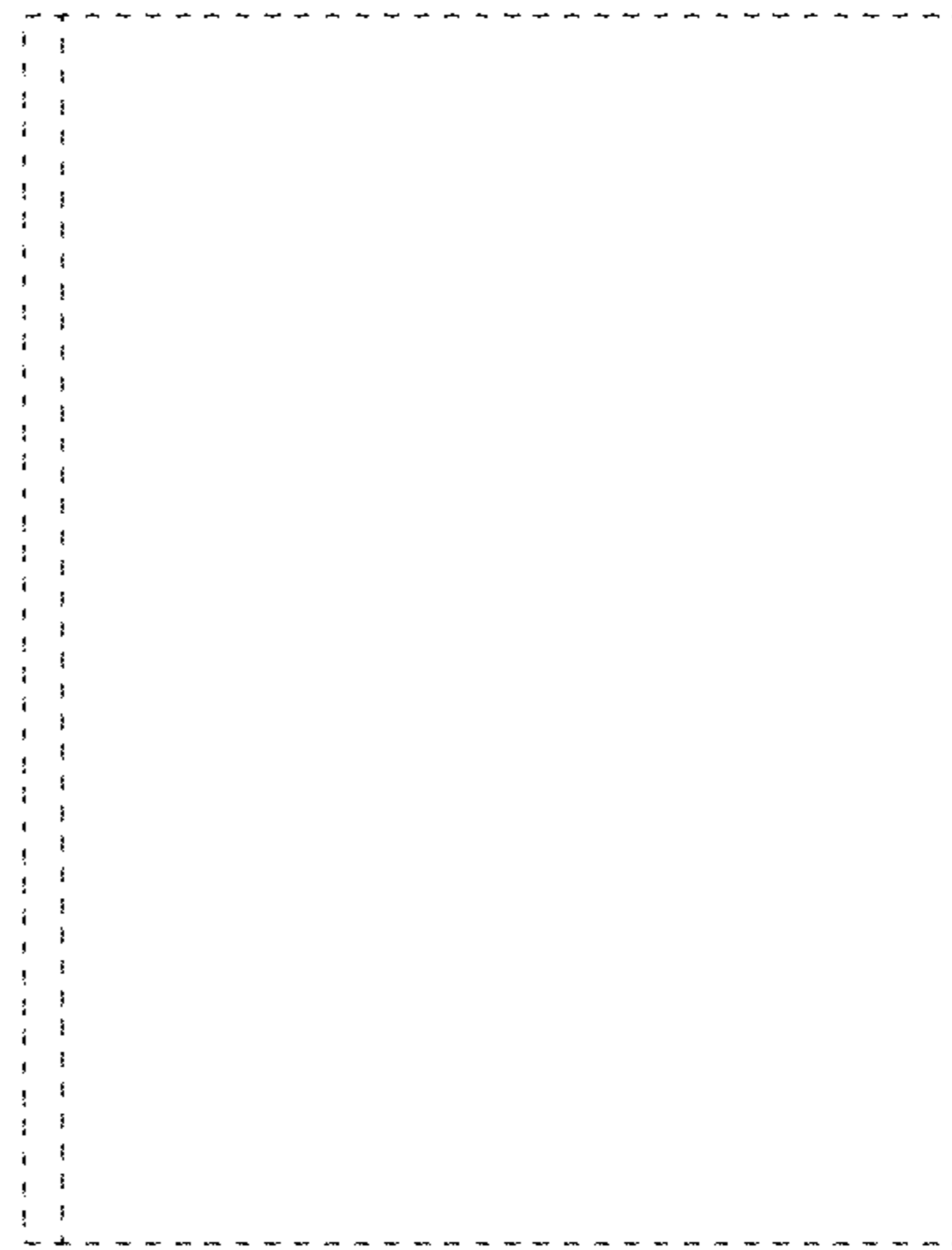


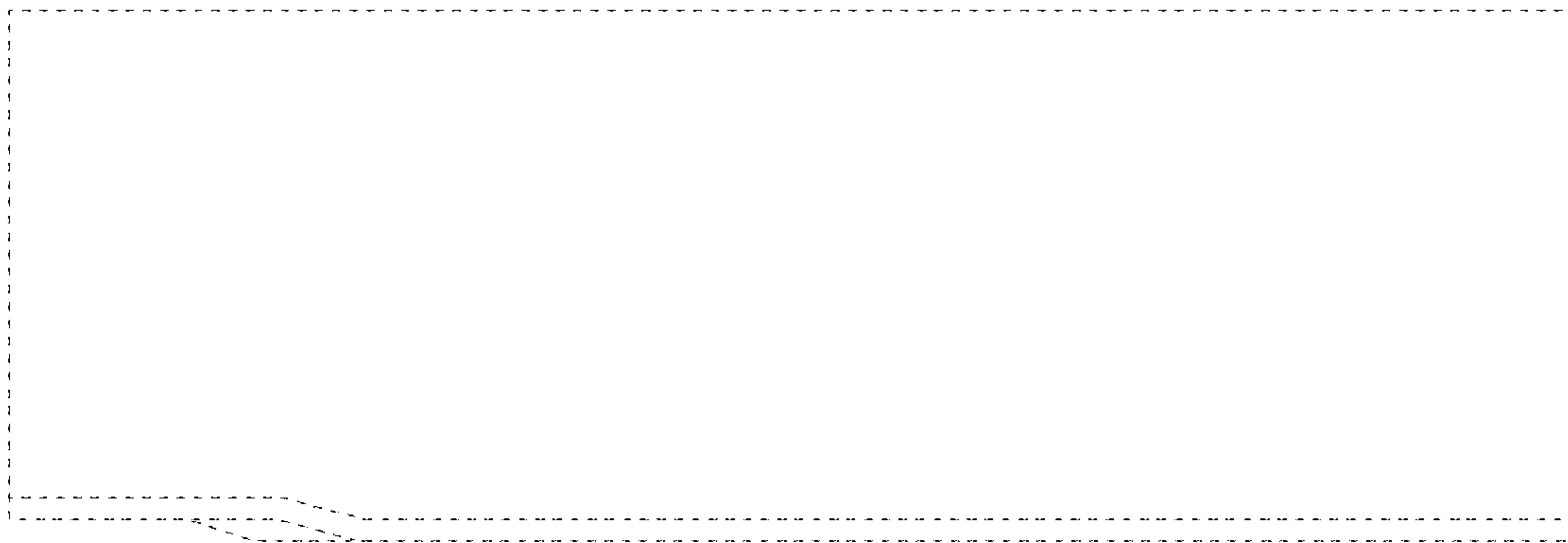
FIG. 2



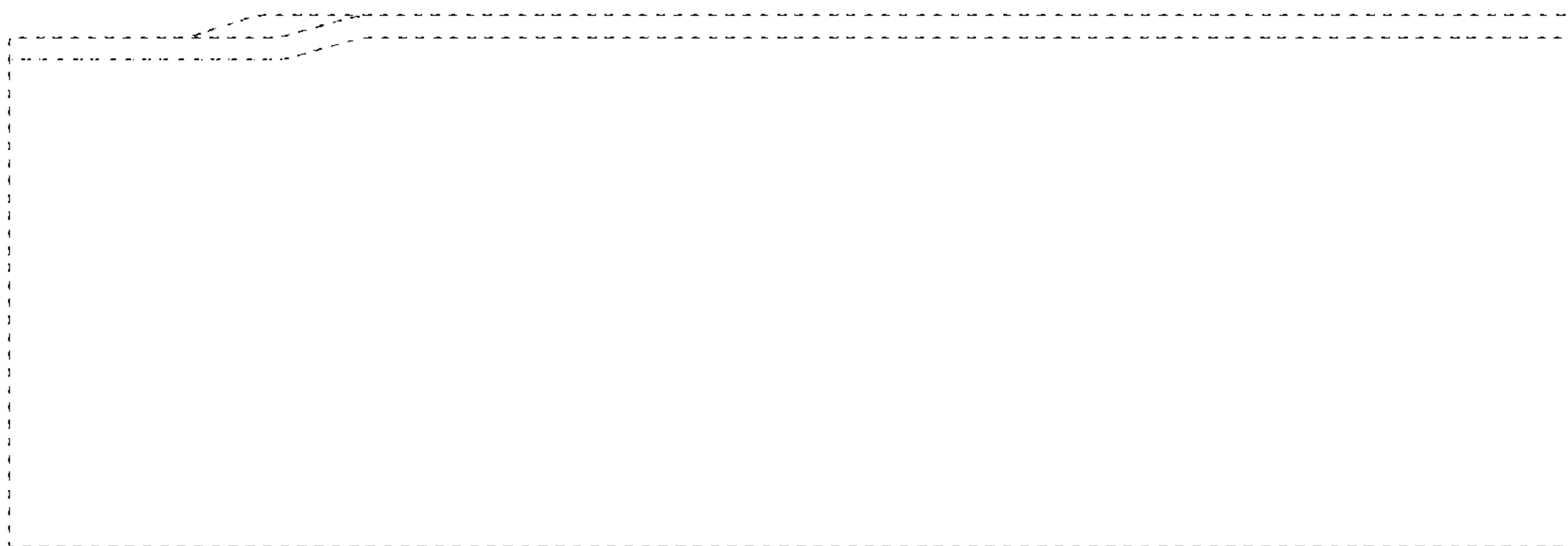
*FIG. 3*



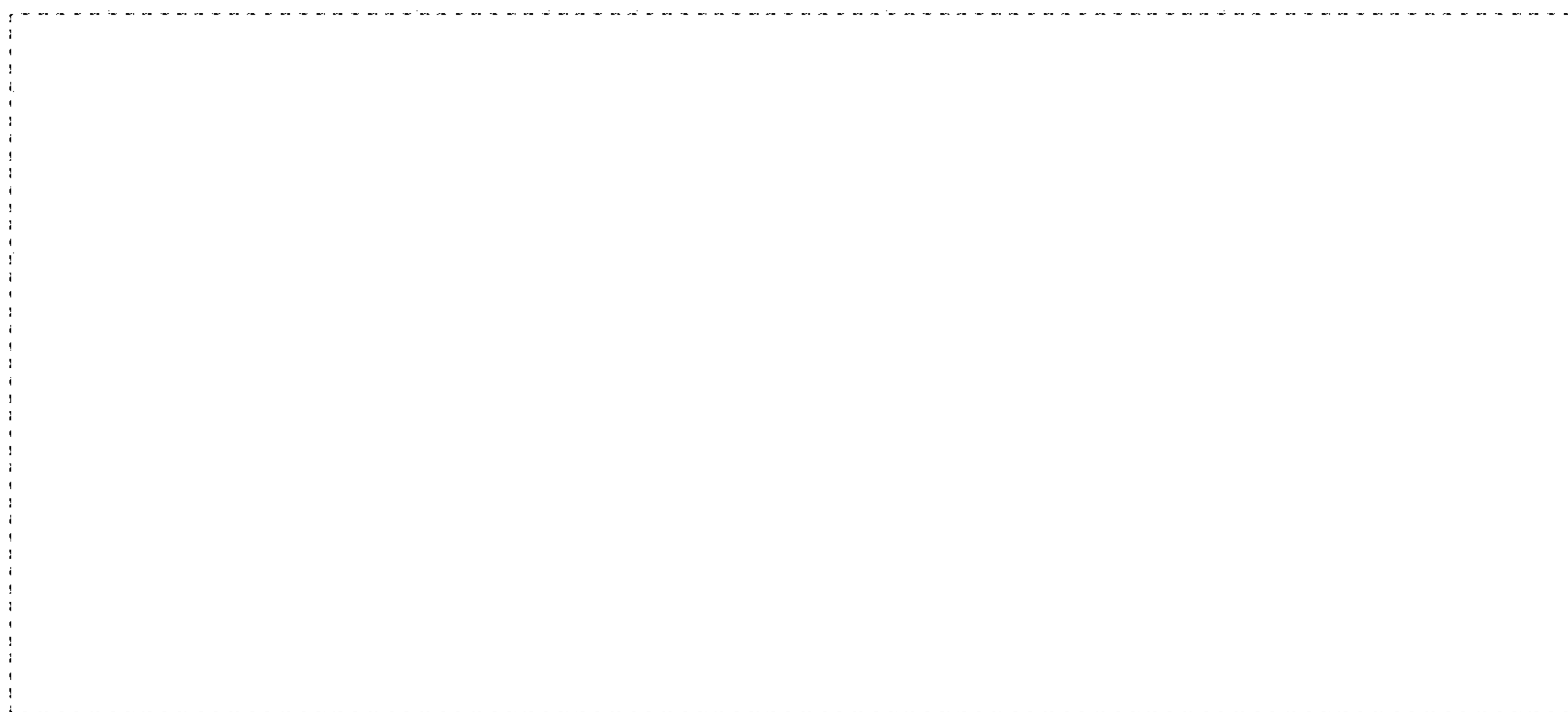
*FIG. 4*



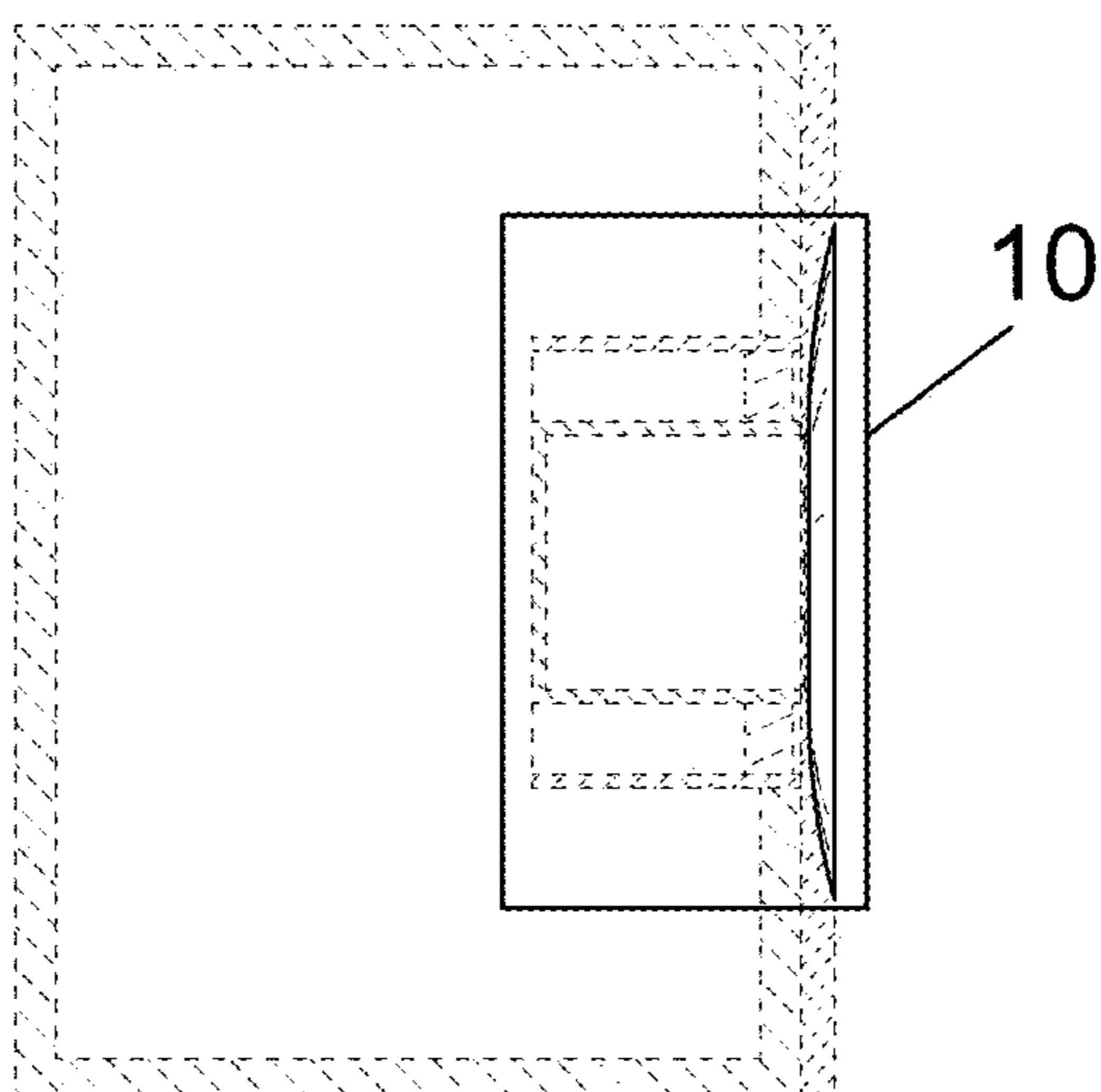
*FIG. 5*



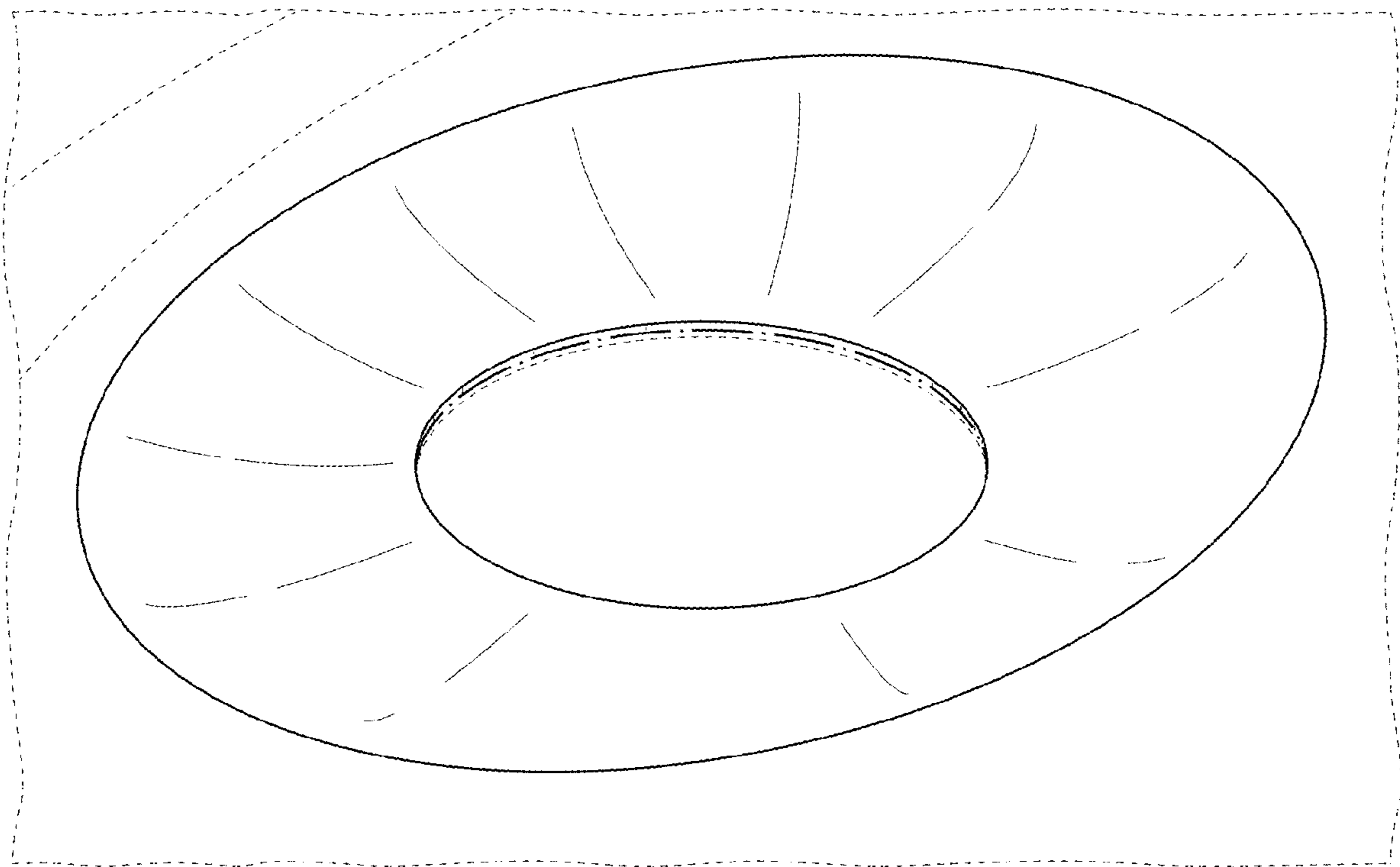
*FIG. 6*



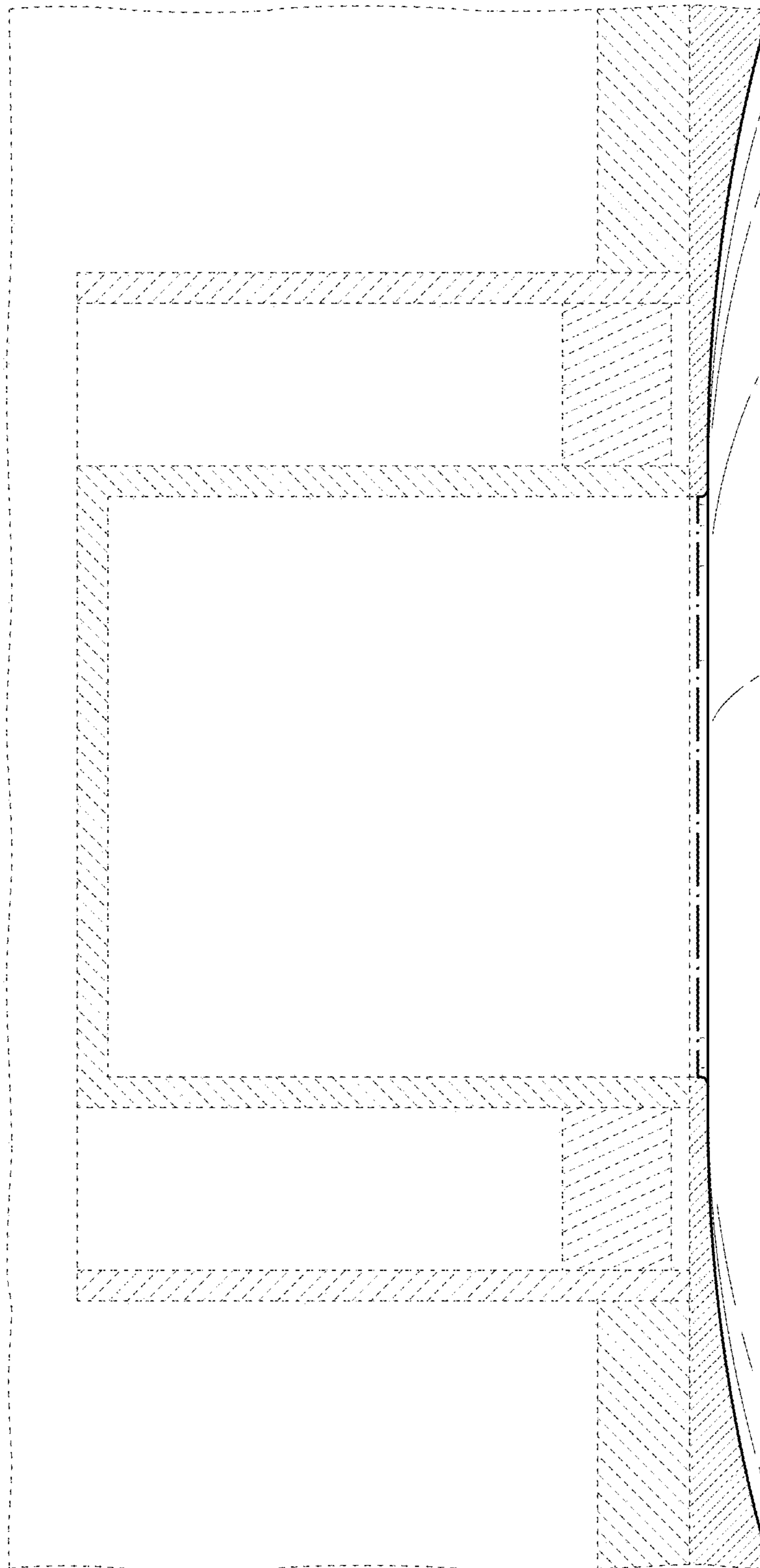
*FIG. 7*



*FIG. 8*

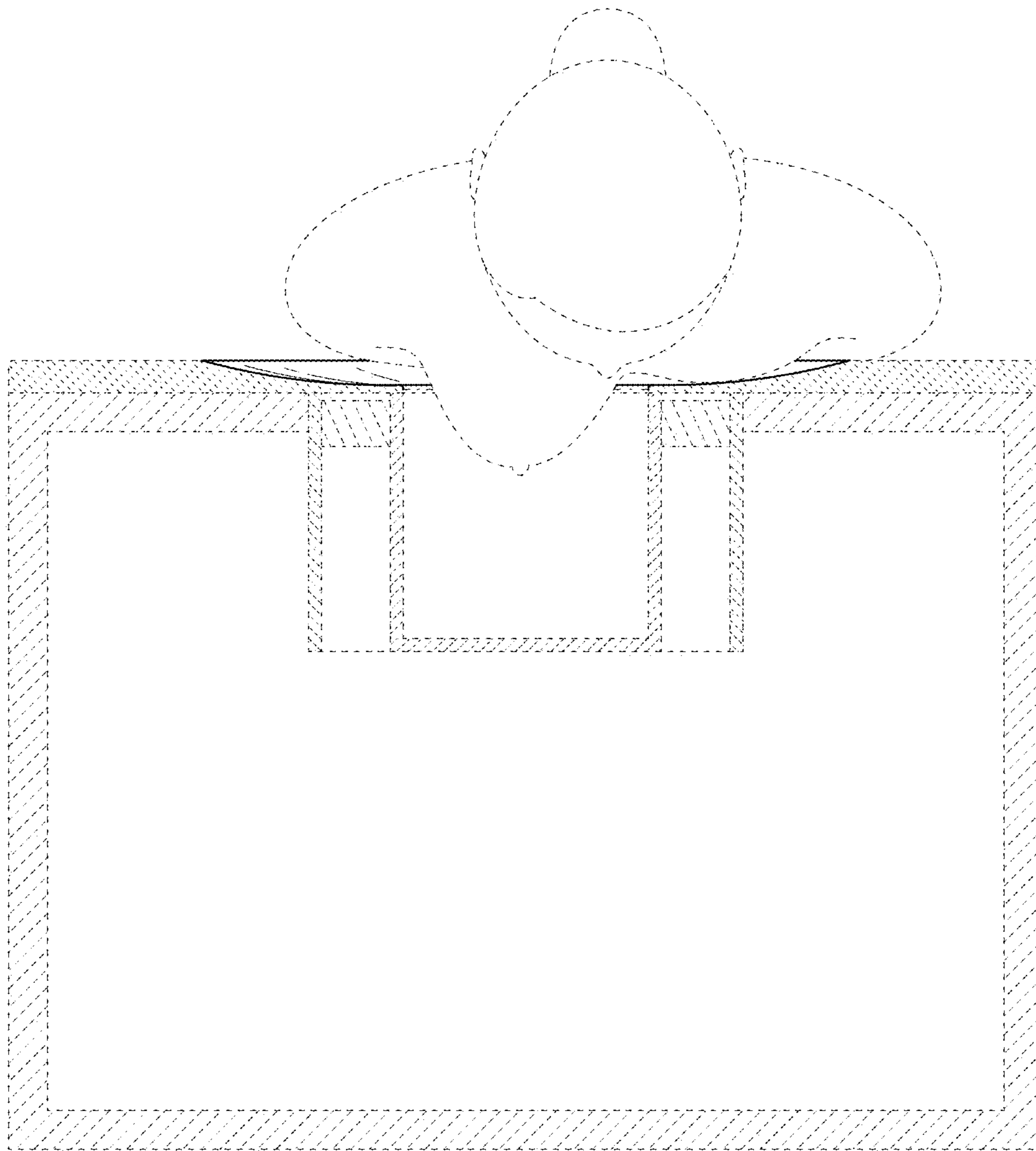


*FIG. 9*



*FIG. 10*





**FIG. 11**